



US00D928735S

(12) **United States Design Patent**
Yoo et al.

(10) **Patent No.:** **US D928,735 S**

(45) **Date of Patent:** **** Aug. 24, 2021**

(54) **SPEAKER**

(71) Applicant: **LG ELECTRONICS INC.**, Seoul (KR)

(72) Inventors: **Seungmin Yoo**, Seoul (KR); **Jonghwan Kim**, Seoul (KR); **Miyoung Park**, Seoul (KR); **Cheolwoong Shin**, Seoul (KR)

(73) Assignee: **LG ELECTRONICS INC.**, Seoul (KR)

(**) Term: **15 Years**

(21) Appl. No.: **29/722,253**

(22) Filed: **Jan. 28, 2020**

(30) **Foreign Application Priority Data**

Aug. 23, 2019 (KR) 30-2019-0040428

(51) **LOC (13) Cl.** **14-02**

(52) **U.S. Cl.**
USPC **D14/209.1; D14/211**

(58) **Field of Classification Search**
USPC D14/209.1, 204, 224, 224.1, 211, 210, D14/212, 225, 227, 207, 172, 240, 149, D14/496; D10/106.1; 181/199, 150, 151, 181/144, 145, 148; 381/386, 349, 345; 455/90.3, 575.1, 569.1
CPC ... H04R 1/02; H04R 1/28; H04R 5/00; H04R 5/02; H05K 7/00; H05K 5/00; A47B 81/06; G10K 11/16
See application file for complete search history.

(56) **References Cited**

U.S. PATENT DOCUMENTS

2,003,600 A * 6/1935 Lowenfels B65D 5/10 426/130
3,578,103 A * 5/1971 Lennes H04R 1/2888 181/156

4,142,604 A * 3/1979 Smith H04R 1/021 181/156
D283,124 S * 3/1986 Kolb D14/210
4,574,906 A * 3/1986 White H04R 1/26 181/145
4,837,826 A * 6/1989 Schupbach H04R 5/02 381/308
D401,582 S * 11/1998 Gremchuck D14/210
D408,035 S * 4/1999 Denham D14/212
D431,551 S * 10/2000 Wegner D14/210
D470,124 S * 2/2003 Jordan D14/212
D470,471 S * 2/2003 Jordan D14/212
D471,178 S * 3/2003 Jordan D14/212
D471,892 S * 3/2003 Jordan D14/212
(Continued)

FOREIGN PATENT DOCUMENTS

CN 305956800 * 7/2020
SG 201326Z-0001 * 3/2013

Primary Examiner — Paula Allen Greene

(74) *Attorney, Agent, or Firm* — Birch, Stewart, Kolasch & Birch, LLP

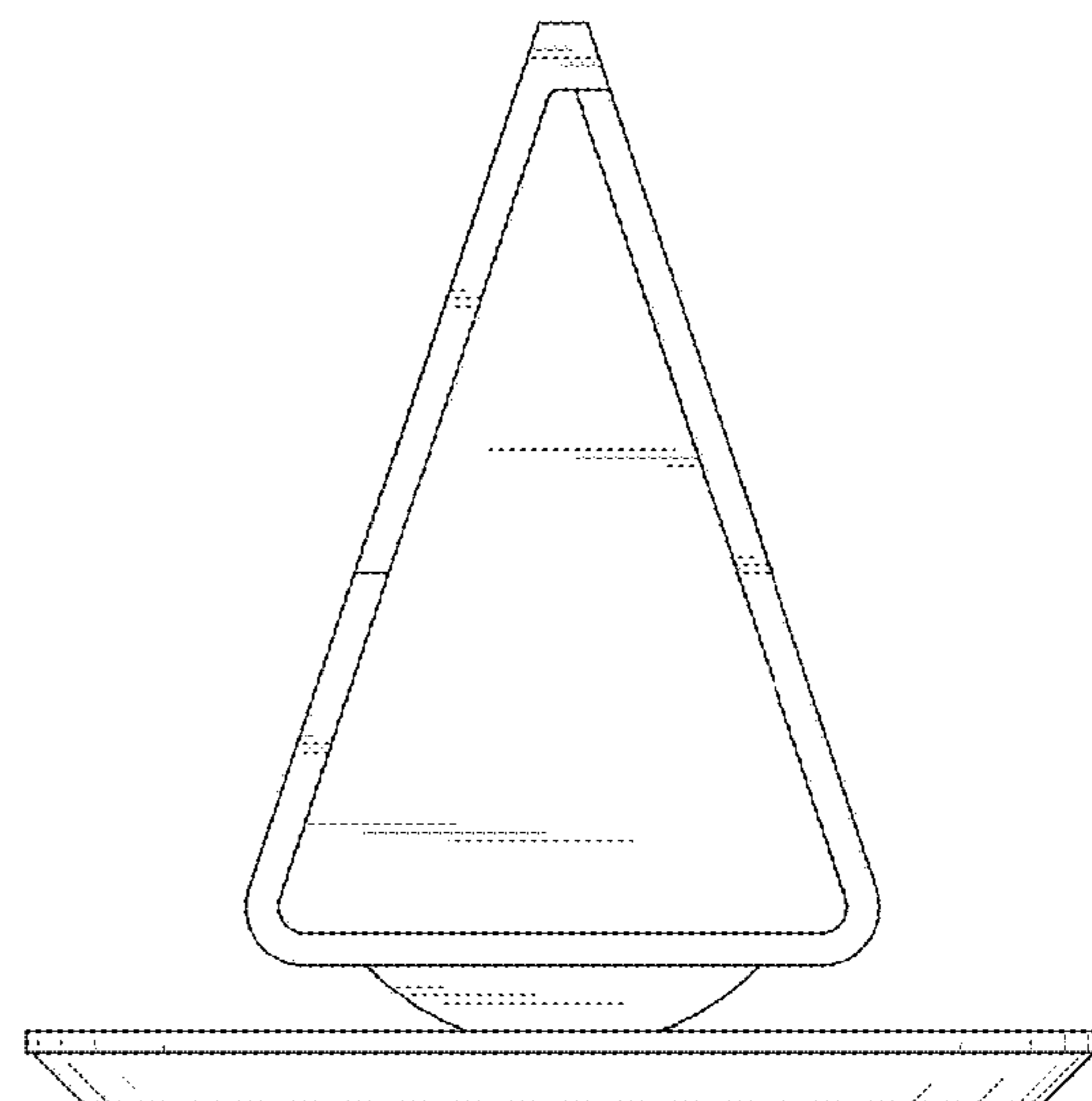
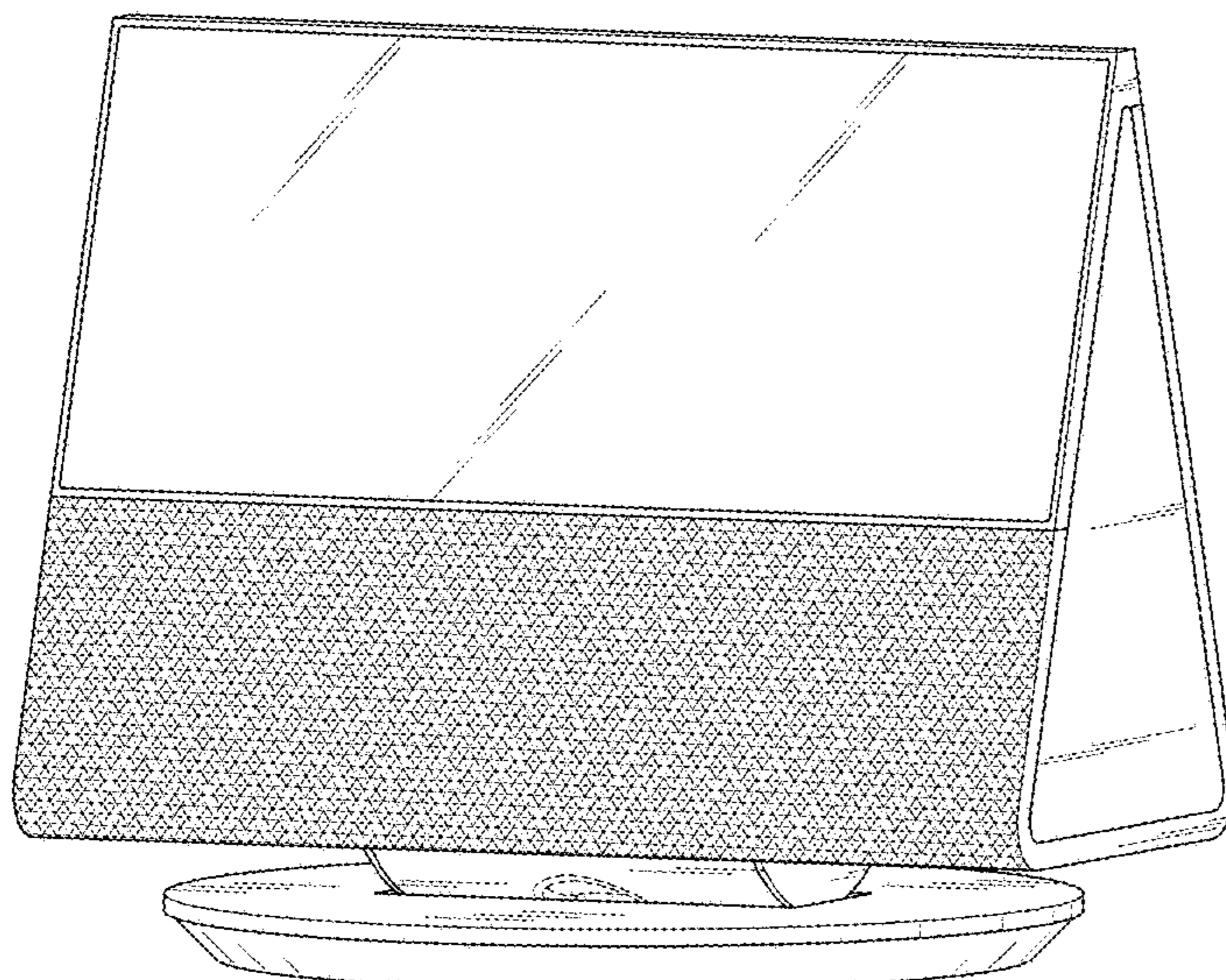
(57) **CLAIM**

We claim the ornamental design for a speaker, as shown and described.

DESCRIPTION

FIG. 1 is a perspective view of a speaker showing the new design;
FIG. 2 is a front elevation view thereof;
FIG. 3 is a rear elevation view thereof;
FIG. 4 is a left-side elevation view thereof;
FIG. 5 is a right-side elevation view thereof;
FIG. 6 is a top plan view thereof; and,
FIG. 7 is a bottom plan view thereof.
The parts shown by means of broken lines in the figures are not part of the claimed design.

1 Claim, 7 Drawing Sheets



(56)

References Cited

U.S. PATENT DOCUMENTS

6,618,488 B2 * 9/2003 Nakamura H04R 1/2819
 181/199
 D540,307 S * 4/2007 Han D14/211
 D552,081 S * 10/2007 Yano D13/110
 D553,120 S * 10/2007 Yano D13/110
 D559,832 S * 1/2008 Poandl D14/212
 D573,133 S * 7/2008 Milks D14/214
 D573,134 S * 7/2008 Milks D14/214
 D688,227 S * 8/2013 Lee D14/209.1
 D723,515 S * 3/2015 Ang D14/214
 D726,685 S * 4/2015 Cheng D14/212
 D743,374 S * 11/2015 Kim D14/212
 D743,936 S * 11/2015 Cloarec D14/210
 D755,754 S * 5/2016 Schwartz D14/212
 D770,418 S * 11/2016 Hong D14/216
 D795,834 S * 8/2017 Pelland D14/204
 D809,565 S * 2/2018 Magi D14/496
 D816,056 S * 4/2018 Klein D14/149
 D817,313 S * 5/2018 Horito D14/240
 D826,761 S * 8/2018 Lee D10/106.1
 D838,257 S * 1/2019 Manz D14/216
 D894,865 S * 9/2020 Yin D14/204
 D896,778 S * 9/2020 Choi D14/204
 D902,879 S * 11/2020 Balch D14/149
 D903,626 S * 12/2020 Jarmon D14/204
 2007/0072657 A1 * 3/2007 Hyun H04M 1/0247
 455/575.3
 2015/0125018 A1 * 5/2015 Clark H04R 31/00
 381/332
 2018/0136695 A1 * 5/2018 Lo H04R 1/02

* cited by examiner

FIG. 1

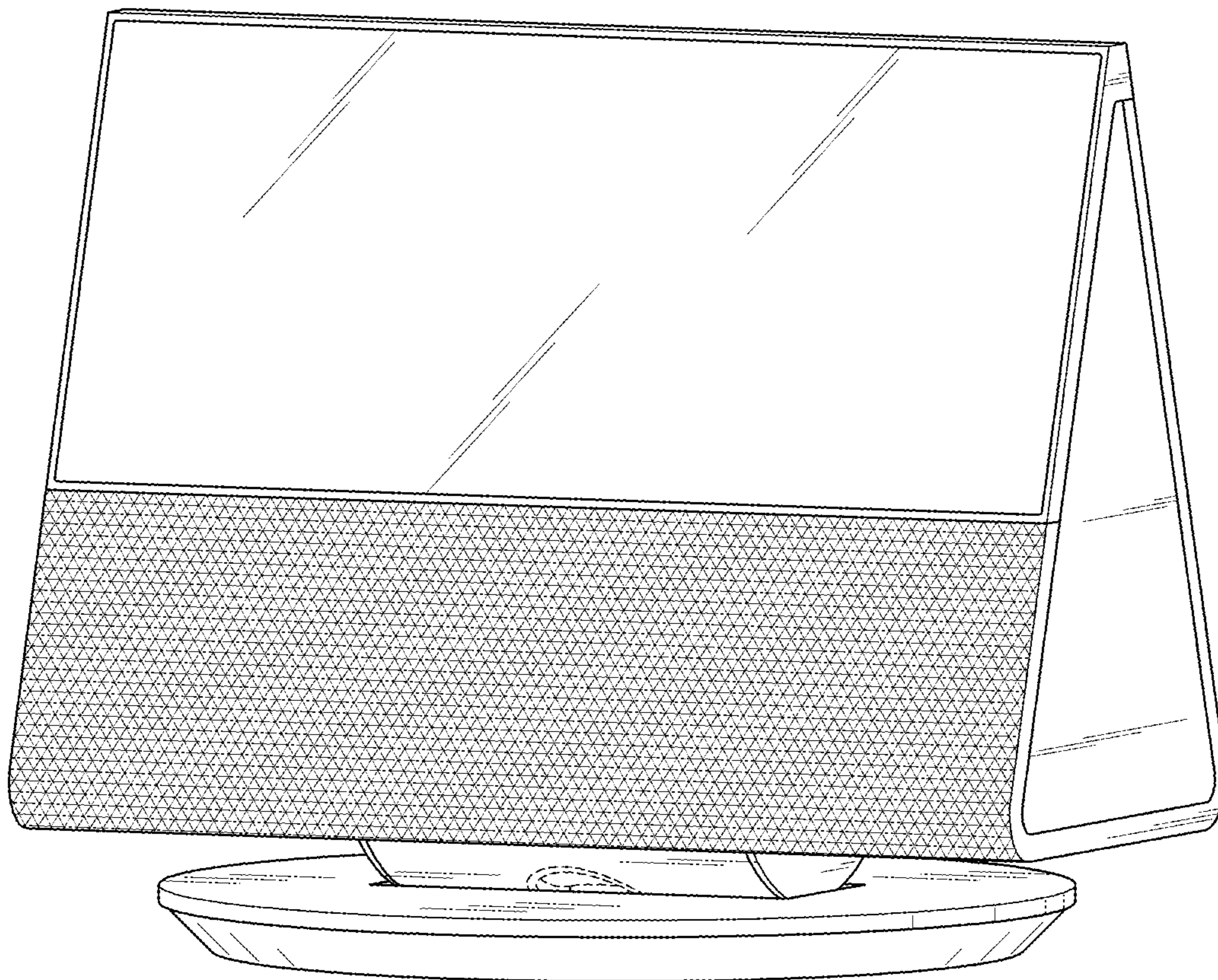


FIG. 2

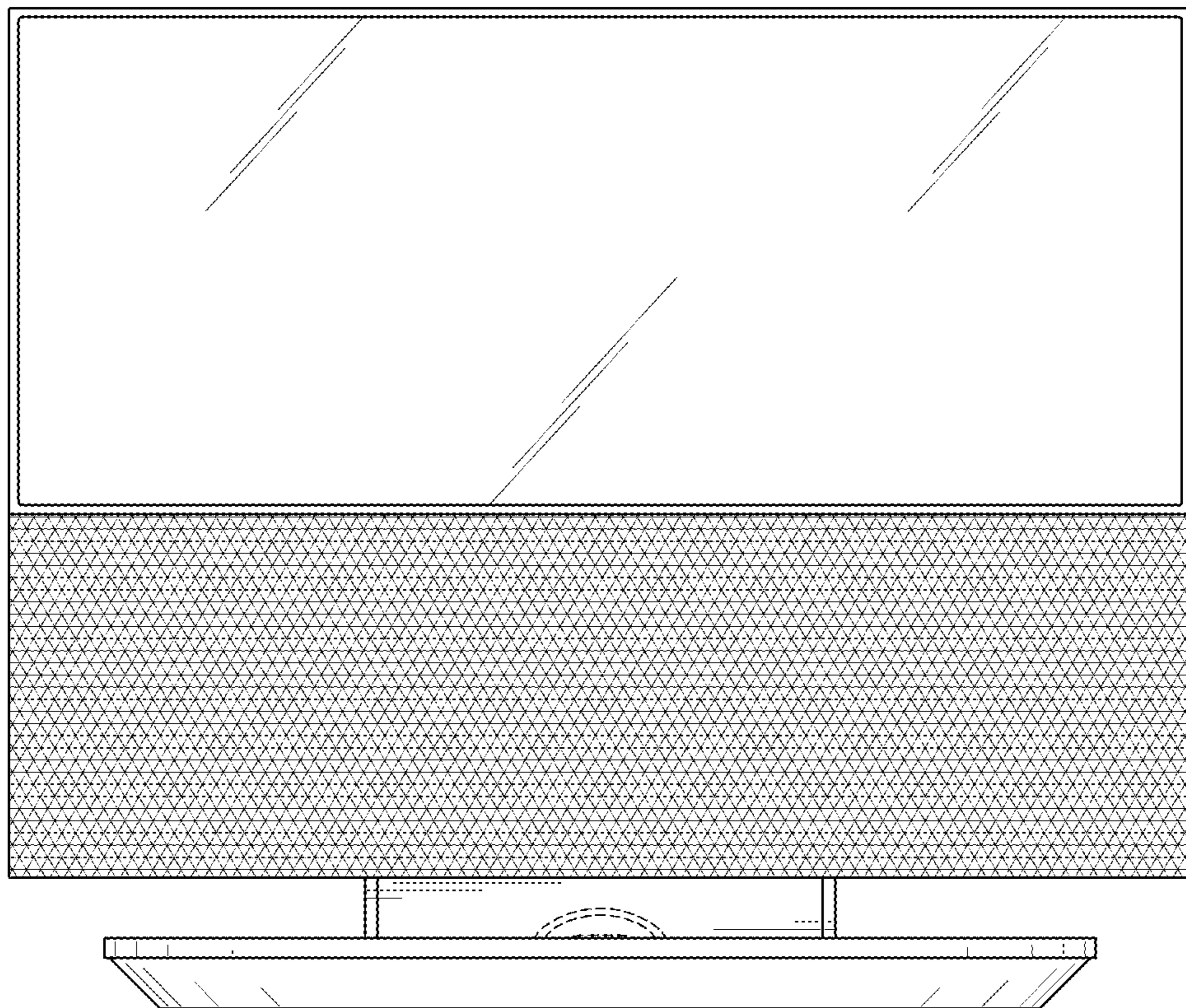


FIG. 3

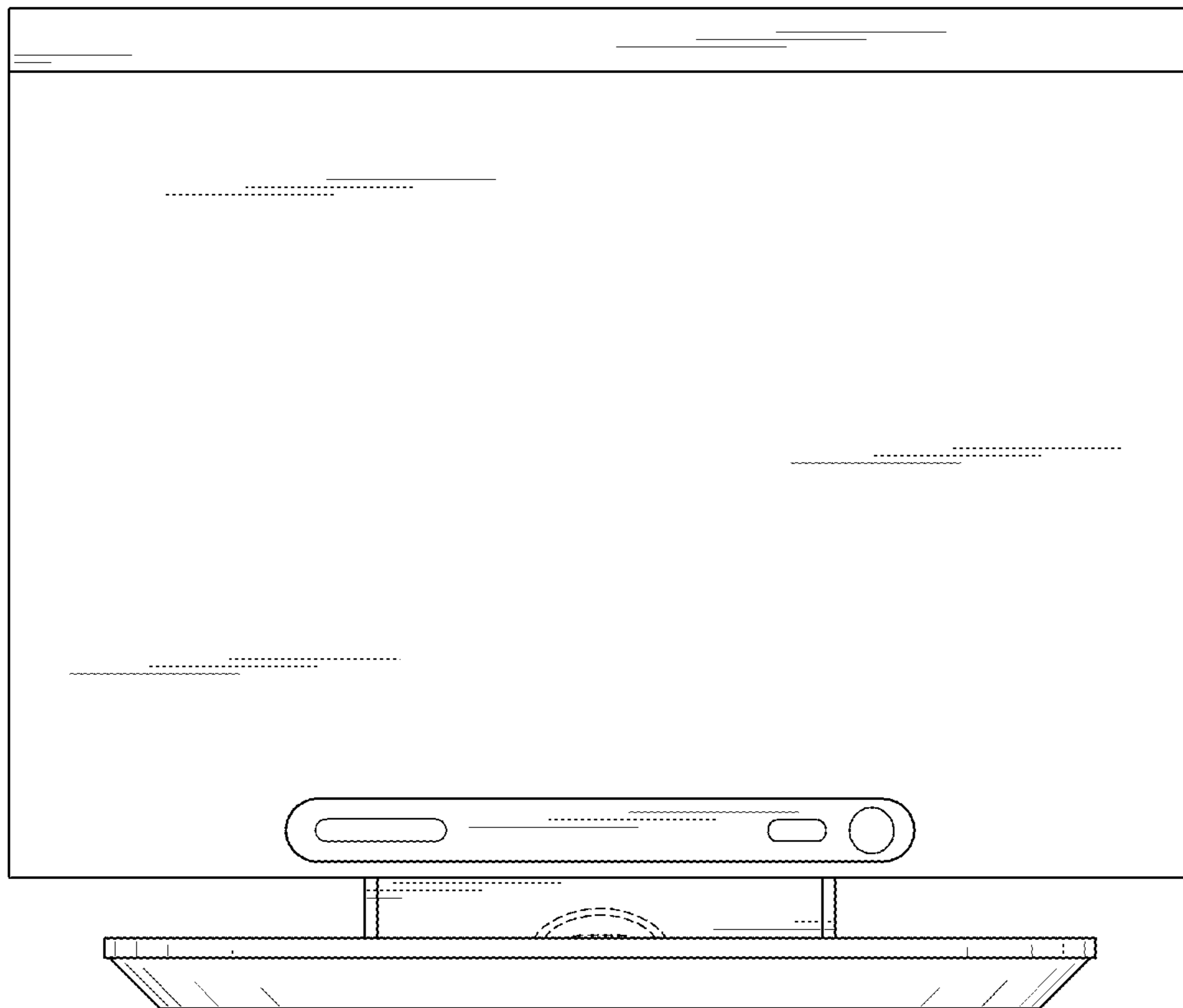


FIG. 4

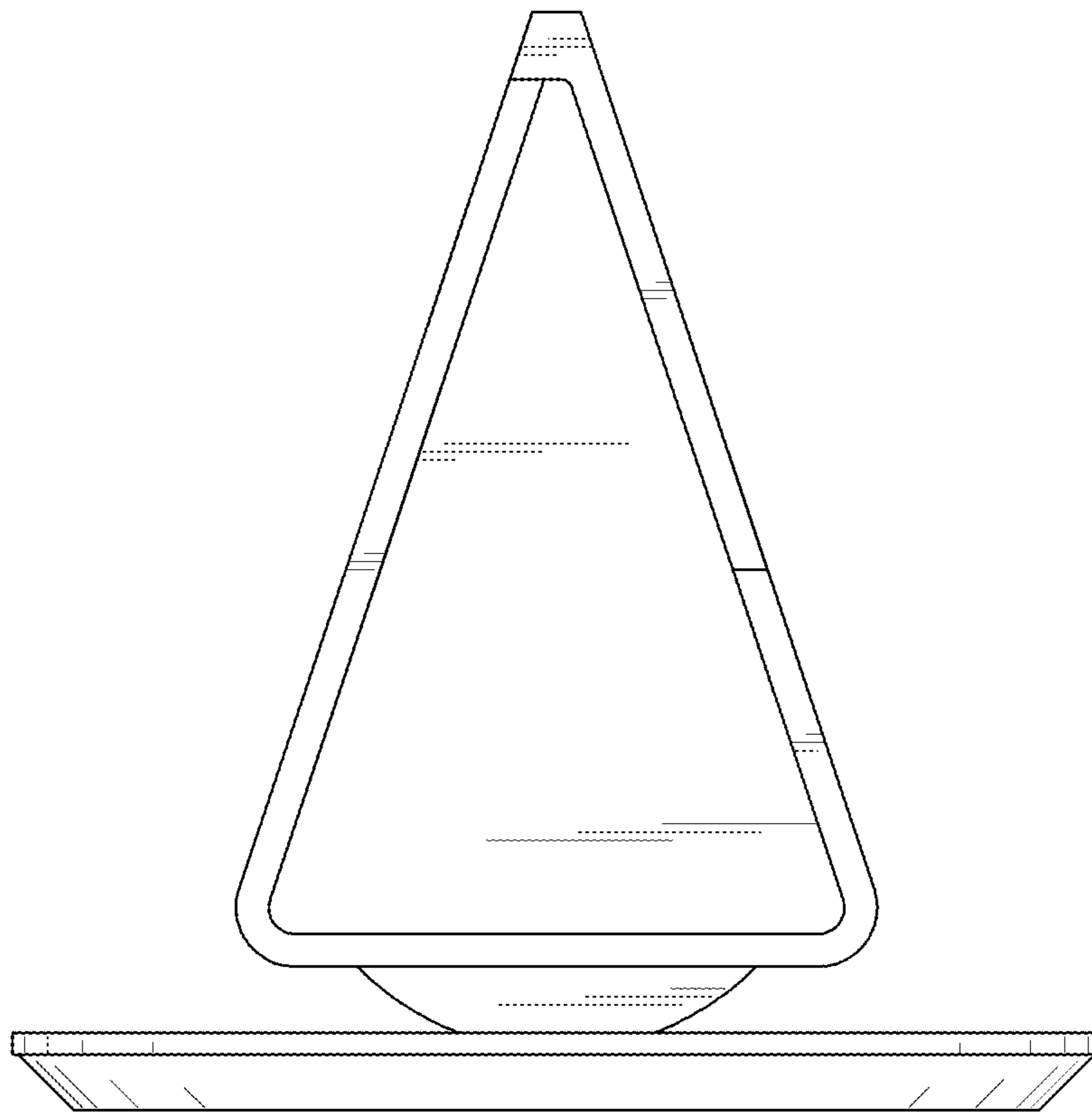


FIG. 5

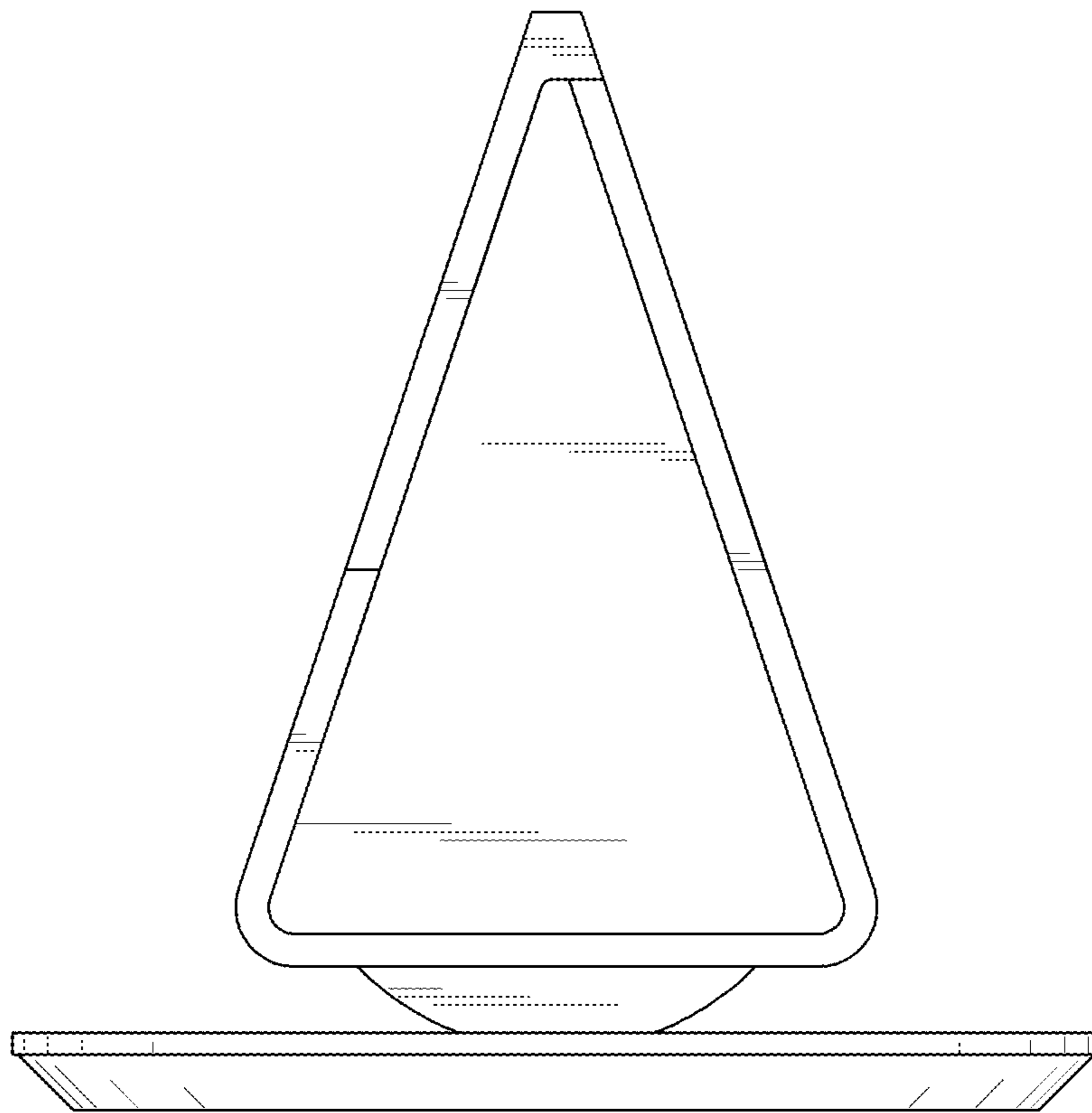


FIG. 6

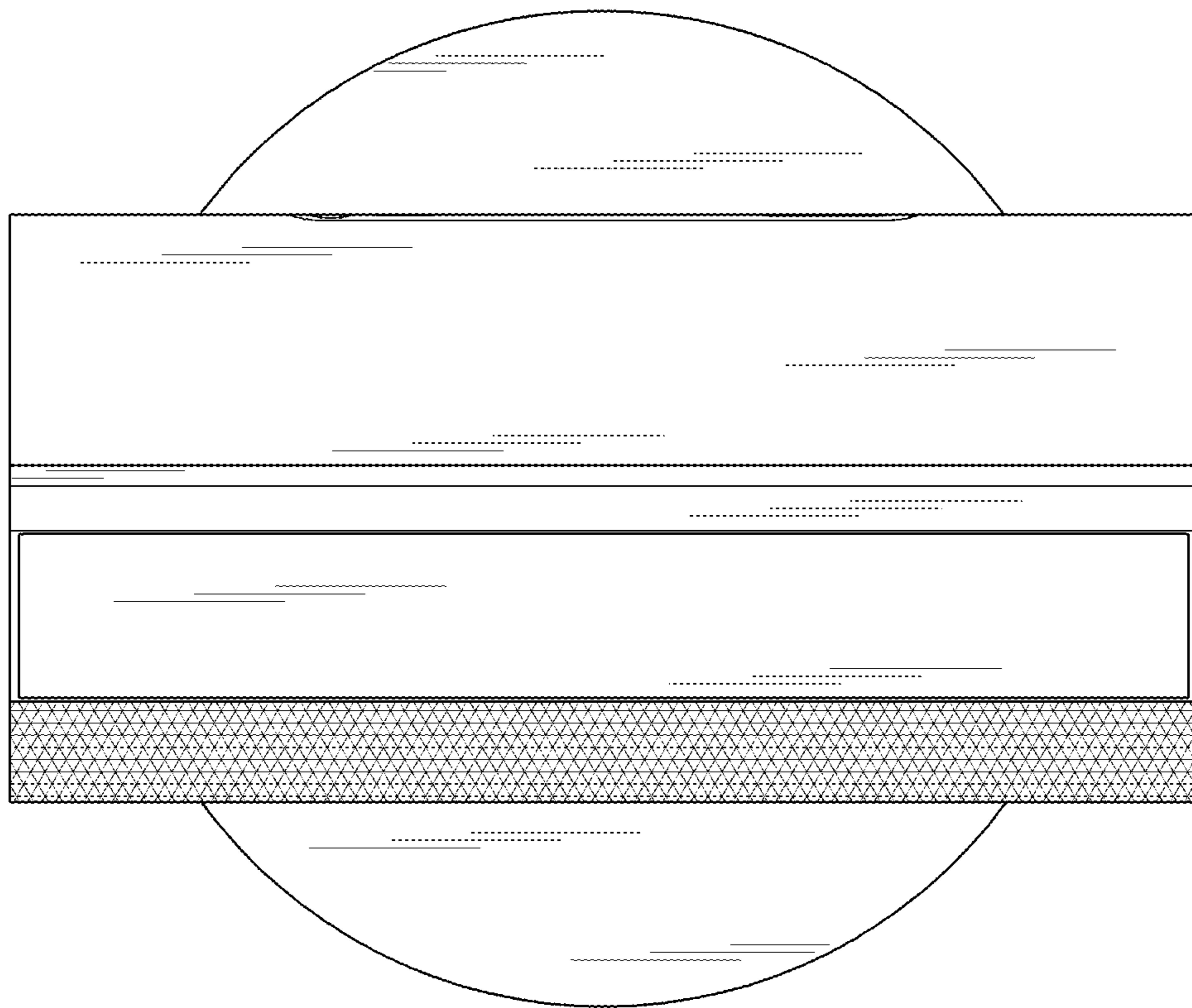


FIG. 7

