



US00D928734S

(12) **United States Design Patent** (10) **Patent No.:** **US D928,734 S**  
**Brunner et al.** (45) **Date of Patent:** **\*\* \*Aug. 24, 2021**

(54) **HEADSET**

(71) Applicant: **Apple Inc.**, Cupertino, CA (US)

(72) Inventors: **Robert Brunner**, Glen Ellen, CA (US);  
**Christopher Kuh**, San Francisco, CA (US)

(73) Assignee: **Apple Inc.**, Cupertino, CA (US)

(\*) Notice: This patent is subject to a terminal disclaimer.

(\*\*) Term: **15 Years**

(21) Appl. No.: **29/713,080**

(22) Filed: **Nov. 13, 2019**

**Related U.S. Application Data**

(60) Continuation of application No. 29/634,460, filed on Jan. 22, 2018, now Pat. No. Des. 867,327, which is a continuation of application No. 29/568,227, filed on Jun. 16, 2016, now Pat. No. Des. 809,477, which is a continuation of application No. 29/527,761, filed on May 21, 2015, now Pat. No. Des. 760,688, which is a continuation of application No. 29/490,833, filed on May 14, 2014, now Pat. No. Des. 732,503, which is a continuation of application No. 29/471,109, filed on Oct. 28, 2013, now Pat. No. Des. 709,860, which is a

(Continued)

(51) **LOC (13) Cl.** ..... **14-01**

(52) **U.S. Cl.**  
USPC ..... **D14/205**

(58) **Field of Classification Search**  
USPC ..... D14/205, 223, 206, 218, 195, 188, 192, D14/217, 408, 155, 168; D29/112; 2/209; 381/380, 381, 370; D21/444; 446/46; 473/589; 455/90.3, 575.1, 455/569.1; D26/88, 89  
CPC ..... H04R 25/00; H04R 25/02; H04R 1/1066; H04R 1/1016; H04R 5/033; H04R 5/0335; H04R 1/1091

See application file for complete search history.

(56) **References Cited**

**U.S. PATENT DOCUMENTS**

1,066,511 A 7/1913 Markoff  
1,367,746 A 2/1921 Kent  
(Continued)

**FOREIGN PATENT DOCUMENTS**

EM 001334221-0001 7/2012  
GB 2072035 B 1/1998  
(Continued)

**OTHER PUBLICATIONS**

Office Action dated Dec. 10, 2010 for Russian Report Application No. 2010501890.

(Continued)

*Primary Examiner* — Paula Allen Greene

(74) *Attorney, Agent, or Firm* — Sterne, Kessler, Goldstein & Fox P.L.L.C.

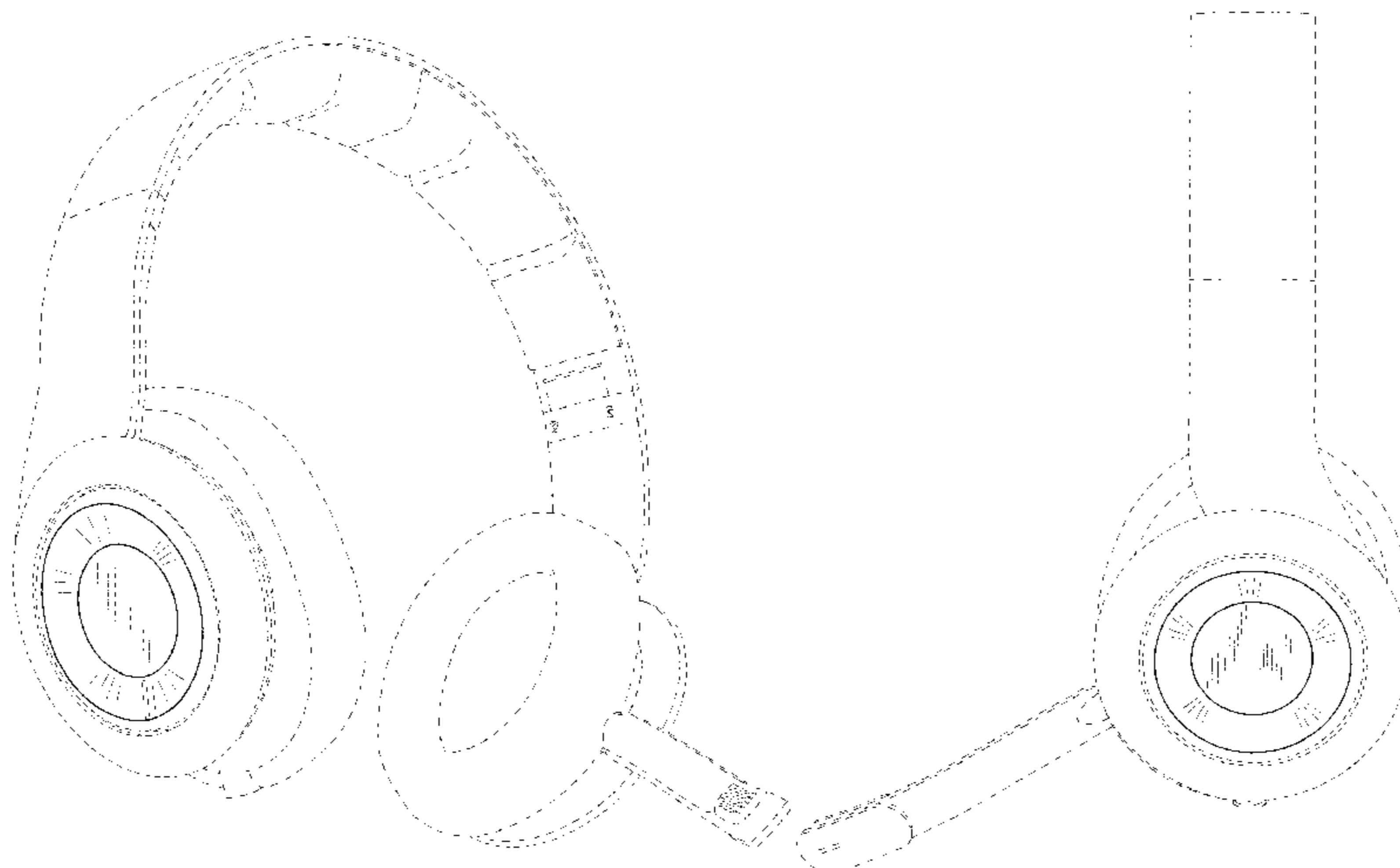
(57) **CLAIM**

The ornamental design for a headset, as shown and described.

**DESCRIPTION**

FIG. 1 is a front perspective view of a headset showing the claimed design;  
FIG. 2 is a rear view thereof;  
FIG. 3 is a bottom view thereof;  
FIG. 4 is a front view thereof;  
FIG. 5 is a right side view thereof;  
FIG. 6 is a left side view thereof; and,  
FIG. 7 is a top view thereof.  
The broken lines in the figures show portions of the headset that form no part of the claimed design.

**1 Claim, 7 Drawing Sheets**



**Related U.S. Application Data**

division of application No. 29/410,584, filed on Jan. 9, 2012, now Pat. No. Des. 692,410.

(56)

**References Cited**

U.S. PATENT DOCUMENTS

1,615,028 A \* 1/1927 Morser ..... H04M 1/19  
381/371  
1,648,832 A \* 11/1927 Urban ..... H04R 1/1008  
181/129  
2,149,341 A 3/1939 Harrison  
2,640,699 A 6/1953 Garbo  
3,104,398 A 9/1963 Palmaer  
D203,677 S 2/1966 Spilman et al.  
3,359,678 A 12/1967 Headrick  
3,580,580 A 5/1971 Wark et al.  
D229,833 S 1/1974 Becker  
D244,300 S 5/1977 Besasie  
4,114,885 A 9/1978 Morrow  
4,173,715 A 11/1979 Gosman  
D254,183 S 2/1980 Doodson  
D254,876 S 5/1980 Reitenga et al.  
D255,352 S 6/1980 Besasie  
4,288,942 A \* 9/1981 Nicholl ..... A63H 33/18  
446/48  
4,306,121 A 12/1981 Joscelyn et al.  
4,378,824 A \* 4/1983 Carder, Sr. .... B67D 7/48  
137/382.5  
4,385,209 A 5/1983 Greason et al.  
4,404,445 A 9/1983 Baran et al.  
D274,516 S \* 7/1984 Walker, Jr. .... D14/249  
4,609,786 A 9/1986 Omoto et al.  
D286,874 S 11/1986 Bertagna et al.  
4,634,816 A 1/1987 O'Malley et al.  
4,875,233 A 10/1989 Derhaag et al.  
D307,275 S \* 4/1990 Pollard ..... 379/452  
D313,092 S 12/1990 Nilsson  
5,018,599 A 5/1991 Dohi et al.  
5,035,005 A 7/1991 Hung  
D328,074 S 7/1992 Yamazaki et al.  
D328,461 S 8/1992 Daido et al.  
D338,010 S 8/1993 Yamatogi  
5,288,256 A \* 2/1994 Lee ..... A63H 33/18  
222/78  
D351,172 S 10/1994 Nakamura et al.  
D358,389 S 5/1995 Isono  
D358,391 S \* 5/1995 Isono ..... D14/205  
D374,658 S 10/1996 Bever et al.  
D375,825 S 11/1996 Whidden  
D386,223 S \* 11/1997 Imai ..... D21/444  
D390,282 S \* 2/1998 Burdick ..... D21/443  
D392,629 S 3/1998 Amafuji et al.  
D394,649 S 5/1998 Pombo  
5,812,680 A \* 9/1998 Glendon ..... H04R 25/60  
381/322  
D403,128 S 12/1998 Scanlon et al.  
D407,985 S \* 4/1999 Pimentel ..... D10/104.2  
D420,356 S 2/2000 Suzuki  
D422,592 S 4/2000 Deguchi  
6,081,604 A 6/2000 Hikichi et al.  
D430,140 S 8/2000 Roman  
D435,249 S 12/2000 Yasutomi  
6,163,615 A 12/2000 Callahan  
6,195,839 B1 3/2001 Patterson et al.  
D457,512 S 5/2002 Yoneda  
6,449,806 B1 9/2002 Engelhard et al.  
D468,723 S 1/2003 Pham et al.  
6,560,346 B2 5/2003 Ohta et al.  
D482,484 S \* 11/2003 Benghozi ..... D26/85  
D484,485 S 12/2003 Matsuoka  
6,654,966 B2 12/2003 Rolla  
D484,868 S 1/2004 Suzuki  
6,678,897 B2 1/2004 Lindgren  
D487,733 S \* 3/2004 Lucaci ..... D14/137  
D491,163 S 6/2004 Green

D502,938 S 3/2005 Tokioka et al.  
D504,414 S 4/2005 Yoshida  
D504,883 S 5/2005 Jacobson et al.  
D508,247 S \* 8/2005 Fisher ..... 382/124  
D512,381 S 12/2005 Sirichai et al.  
D512,417 S 12/2005 Hirakawa et al.  
D512,708 S 12/2005 Harris, Jr. et al.  
D512,981 S 12/2005 Jacobson et al.  
D514,086 S 1/2006 Skulley  
D517,043 S 3/2006 Jacobson et al.  
D517,528 S 3/2006 Skulley  
7,072,483 B2 7/2006 Lenhard-Backhaus  
D532,407 S 11/2006 Motoishi  
D534,155 S 12/2006 Obata  
D534,156 S 12/2006 Obata  
7,172,052 B2 2/2007 Lenhard-Backhaus  
D539,788 S 4/2007 Thompson et al.  
D540,301 S \* 4/2007 Obata ..... D14/205  
D540,303 S 4/2007 Rausch et al.  
D540,778 S 4/2007 Thompson et al.  
D541,255 S 4/2007 Taylor et al.  
D541,256 S 4/2007 Rausch et al.  
D541,257 S 4/2007 Thursfield  
D552,077 S 10/2007 Brunner et al.  
D557,684 S 12/2007 Pundsack et al.  
D560,654 S 1/2008 Feng  
D563,382 S 3/2008 Wikel  
D563,995 S 3/2008 Deguchi et al.  
7,356,362 B2 4/2008 Chang et al.  
D582,890 S 12/2008 Koza et al.  
D584,715 S 1/2009 Brennwald  
D585,870 S \* 2/2009 Zheng ..... D14/205  
D585,871 S 2/2009 Lee  
D585,872 S 2/2009 Lee  
D588,098 S 3/2009 Kurihara  
D588,100 S 3/2009 Densho et al.  
D591,263 S 4/2009 Shimizu  
D592,182 S \* 5/2009 Sanguinetti ..... D14/205  
D592,640 S 5/2009 Tkachuk  
D593,995 S 6/2009 Shimizu  
D600,674 S 9/2009 Brennwald  
D602,906 S 10/2009 Groves et al.  
D603,370 S 11/2009 Suzuki  
D603,371 S 11/2009 Boaleng et al.  
D616,865 S 6/2010 Marchand et al.  
D617,769 S 6/2010 Birger  
D617,771 S 6/2010 Groves et al.  
7,735,154 B2 6/2010 Gellis et al.  
D625,705 S 10/2010 Oho et al.  
D632,668 S \* 2/2011 Brunner ..... D14/205  
D633,896 S 3/2011 Kondo et al.  
D635,959 S 4/2011 Hutchieson  
D637,176 S \* 5/2011 Brunner ..... D14/205  
D637,998 S 5/2011 Brunner et al.  
D637,999 S 5/2011 Brunner et al.  
D638,000 S 5/2011 Hoggarth  
D639,776 S 6/2011 Arimoto  
D641,725 S 7/2011 Chong et al.  
D643,833 S \* 8/2011 Lee ..... D14/223  
D646,280 S \* 10/2011 Yano ..... D14/412  
D648,330 S 11/2011 Fischer  
D652,017 S 1/2012 Groves et al.  
D652,405 S 1/2012 Lee et al.  
D652,406 S 1/2012 Lee et al.  
D654,471 S 2/2012 Fischer  
D654,472 S 2/2012 Fischer  
D657,344 S 4/2012 Brunner et al.  
D657,345 S \* 4/2012 Brunner ..... H04R 1/1008  
D14/205  
D657,776 S 4/2012 Lee et al.  
D660,823 S 5/2012 Hardi et al.  
D660,824 S 5/2012 Hardi et al.  
D660,826 S 5/2012 Brunner et al.  
D662,490 S 6/2012 McSweyn  
D663,716 S 7/2012 Hardi et al.  
D667,381 S \* 9/2012 Rolli ..... D13/168  
D673,136 S 12/2012 Kelly et al.  
D673,518 S 1/2013 Tan  
D673,520 S 1/2013 Tan

(56)

References Cited

U.S. PATENT DOCUMENTS

D674,767 S 1/2013 Brunner et al.  
 D675,595 S 2/2013 Cho et al.  
 D677,647 S 3/2013 Lee et al.  
 D677,648 S 3/2013 Lee et al.  
 D682,934 S \* 5/2013 Kermoal ..... D19/164  
 D683,329 S 5/2013 Hagelin  
 D686,597 S 7/2013 Lee et al.  
 D688,313 S 8/2013 Brunner et al.  
 D689,843 S 9/2013 Lee  
 D691,112 S \* 10/2013 Brunner ..... D14/206  
 D691,579 S 10/2013 Lee et al.  
 D691,984 S 10/2013 Wang  
 D692,410 S \* 10/2013 Brunner ..... H04R 1/1008  
 D14/206  
 D693,791 S 11/2013 Troy  
 D696,226 S 12/2013 Brunner et al.  
 D698,749 S \* 2/2014 Brunner ..... D14/206  
 D700,904 S \* 3/2014 Miller ..... D14/218  
 D704,163 S 5/2014 Brunner et al.  
 D709,860 S \* 7/2014 Brunner ..... H04S 1/005  
 D14/205  
 8,774,442 B2 7/2014 Huang  
 D711,348 S 8/2014 Yang  
 8,831,266 B1 9/2014 Huang  
 D716,760 S 11/2014 Brunner et al.  
 D720,304 S \* 12/2014 Haug ..... D13/168  
 9,031,275 B2 5/2015 Brodsgaard  
 9,036,855 B2 5/2015 Shah  
 D731,457 S \* 6/2015 Brunner ..... D14/205  
 D732,000 S \* 6/2015 Brunner ..... D14/205  
 D732,503 S \* 6/2015 Brunner ..... H04R 1/1008  
 D14/205  
 D734,296 S \* 7/2015 Paterson ..... D14/205  
 9,084,055 B2 7/2015 Brunner et al.  
 D738,350 S \* 9/2015 Brunner ..... D14/205  
 D746,792 S \* 1/2016 Kim ..... D14/205  
 D760,687 S \* 7/2016 Brunner ..... D14/205  
 D760,688 S \* 7/2016 Brunner ..... H04S 1/005  
 D14/206  
 D764,435 S \* 8/2016 Brunner ..... D14/205  
 D767,531 S 9/2016 Szymanski  
 9,445,185 B2 9/2016 Brunner et al.  
 D775,104 S 12/2016 Lee et al.  
 D778,258 S \* 2/2017 Hsu ..... D14/205  
 D780,713 S 3/2017 Szymanski  
 D782,995 S 4/2017 Matthews  
 D786,824 S 5/2017 Hembrey  
 D787,470 S 5/2017 Kelly et al.  
 D791,103 S \* 7/2017 Brunner ..... D14/205  
 D791,733 S \* 7/2017 Brunner ..... D14/205  
 D794,601 S 8/2017 Riggs et al.  
 D795,835 S \* 8/2017 Nagamine ..... D14/205  
 D797,074 S 9/2017 Martin et al.  
 D797,075 S 9/2017 Mauro  
 D800,691 S 10/2017 Ando et al.  
 D808,358 S 1/2018 Dennis  
 D809,477 S \* 2/2018 Brunner ..... H04R 1/1008  
 D14/205  
 D809,478 S 2/2018 Arimoto et al.  
 D811,365 S 2/2018 Czaniecki  
 D813,837 S \* 3/2018 Paterson ..... D14/205  
 D814,438 S \* 4/2018 Brunner ..... D14/205

D815,614 S 4/2018 Tzeng et al.  
 D826,210 S \* 8/2018 Chong ..... D14/205  
 D826,895 S 8/2018 Sharp et al.  
 D827,607 S 9/2018 Ando et al.  
 D828,326 S 9/2018 Ye  
 D830,333 S 10/2018 Carr  
 D832,813 S 11/2018 Levine et al.  
 D834,557 S 11/2018 Hardi  
 D836,084 S 12/2018 Xie  
 D836,600 S 12/2018 Lee et al.  
 D838,687 S 1/2019 Wu  
 D840,370 S 2/2019 Kelly et al.  
 D840,970 S 2/2019 Dryden et al.  
 D843,345 S \* 3/2019 Brunner ..... D14/205  
 D860,969 S \* 9/2019 Brunner ..... D14/205  
 D863,256 S \* 10/2019 Lindof ..... D14/217  
 D867,327 S \* 11/2019 Brunner ..... H04S 1/005  
 D14/205  
 D868,729 S \* 12/2019 Czaniecki ..... D14/205  
 D874,430 S \* 2/2020 Liu ..... D14/205  
 D875,068 S \* 2/2020 Nagamine ..... D14/205  
 D889,432 S \* 7/2020 Brunner ..... D14/205  
 D893,449 S \* 8/2020 Tsubone ..... D14/205  
 2003/0182713 A1 10/2003 Rolla  
 2004/0216946 A1 11/2004 Lenhard-Backhaus  
 2005/0053255 A1 3/2005 Harris et al.  
 2005/0226452 A1 10/2005 Amae et al.  
 2006/0001307 A1 1/2006 Embach  
 2006/0062417 A1 3/2006 Tachikawa  
 2006/0104471 A1 5/2006 Tsunoda et al.  
 2008/0056525 A1 3/2008 Fujiwara et al.  
 2009/0220118 A1 9/2009 Meter et al.  
 2010/0128884 A1 5/2010 Sapiejewski et al.  
 2010/0284558 A1 11/2010 Kimura et al.  
 2011/0206216 A1 8/2011 Brunner et al.  
 2011/0249856 A1 10/2011 Takei  
 2014/0211976 A1 7/2014 Brunner et al.  
 2015/0086058 A1 3/2015 Harms et al.  
 2016/0330542 A1 \* 11/2016 Hsiao ..... H04R 1/1091

FOREIGN PATENT DOCUMENTS

JP D1318386 12/2007  
 JP D1406347 1/2011  
 JP D1430542 12/2011  
 KR 30-0476152 1/2008  
 KR 300709905.0000 \* 9/2013  
 WO WO 2007/103561 A2 9/2007  
 WO WO 2012/094176 A2 7/2012

OTHER PUBLICATIONS

Search Report dated Mar. 31, 2011 for Taiwan Patent Application No. 099303306.  
 Search Report and Written Opinion for PCT Application No. PCT/US11/67045 dated Sep. 27, 2012.  
 Taiwan Office Action for Taiwan Application No. 101303990 dated Aug. 26, 2013.  
 Taiwan Office Action for Taiwan Application No. 101301117 dated Aug. 26, 2013.  
 Taiwan Office Action for Taiwan Application No. 102302000 dated Aug. 26, 2013.

\* cited by examiner

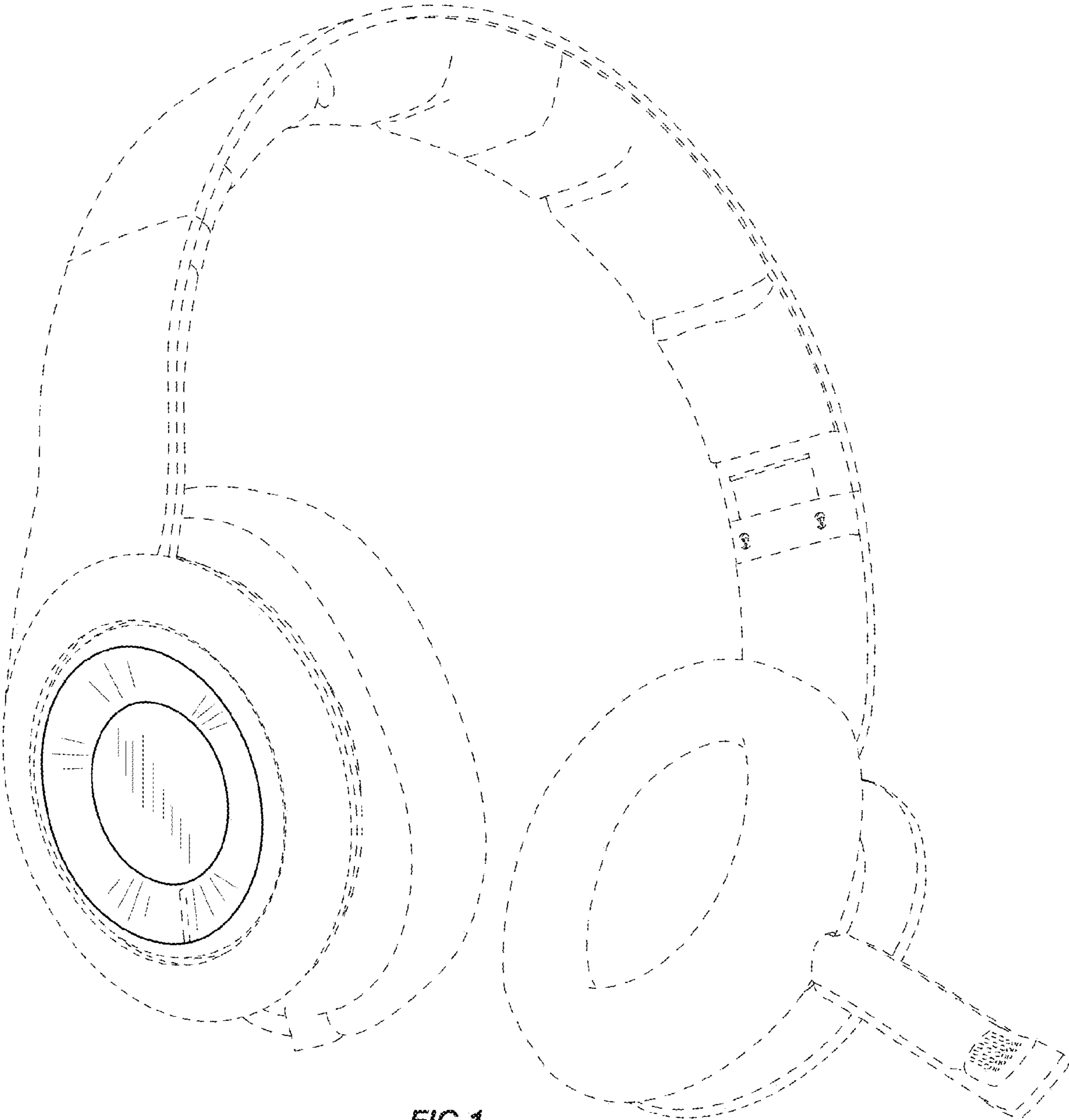


FIG.1

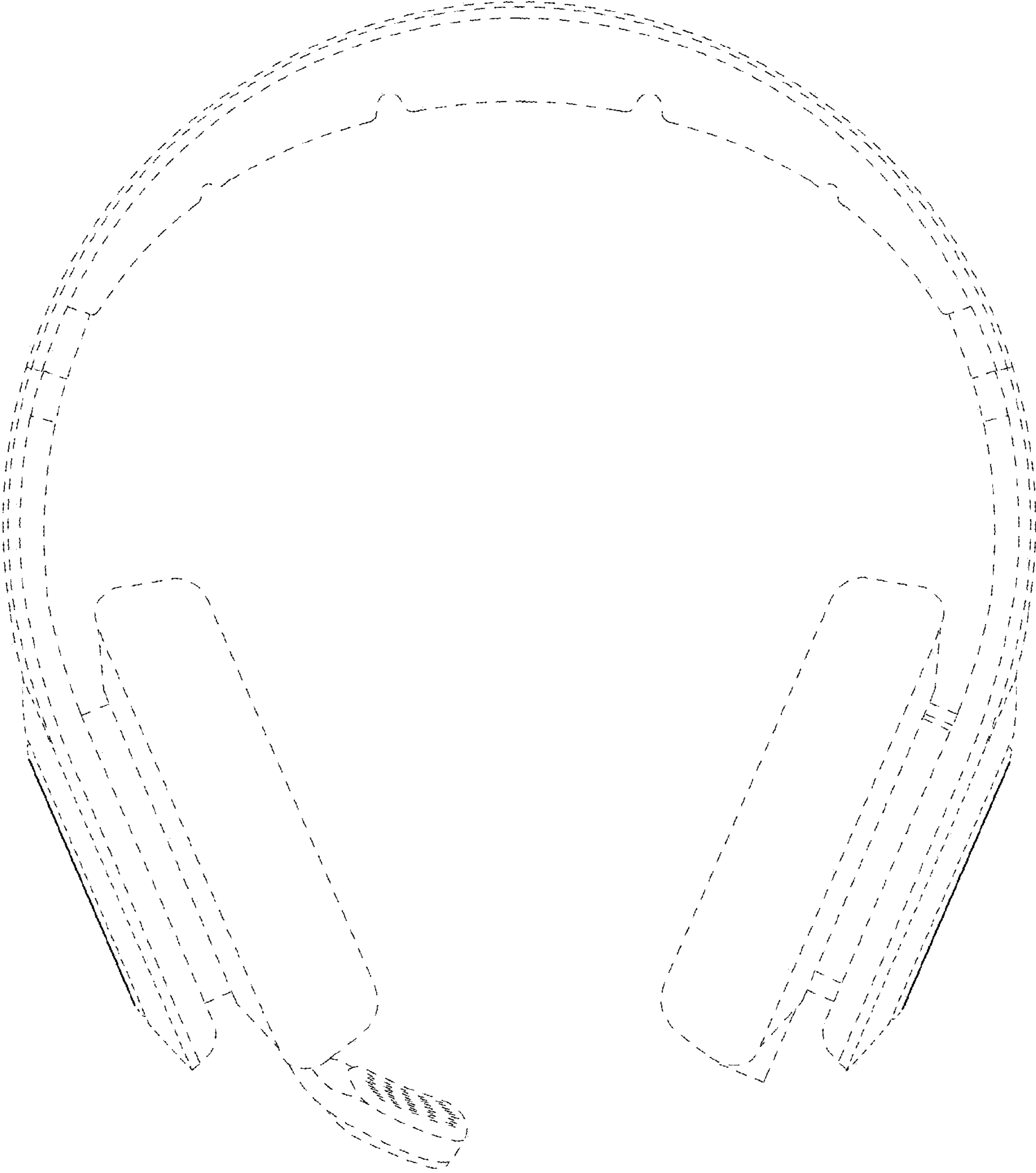


FIG. 2

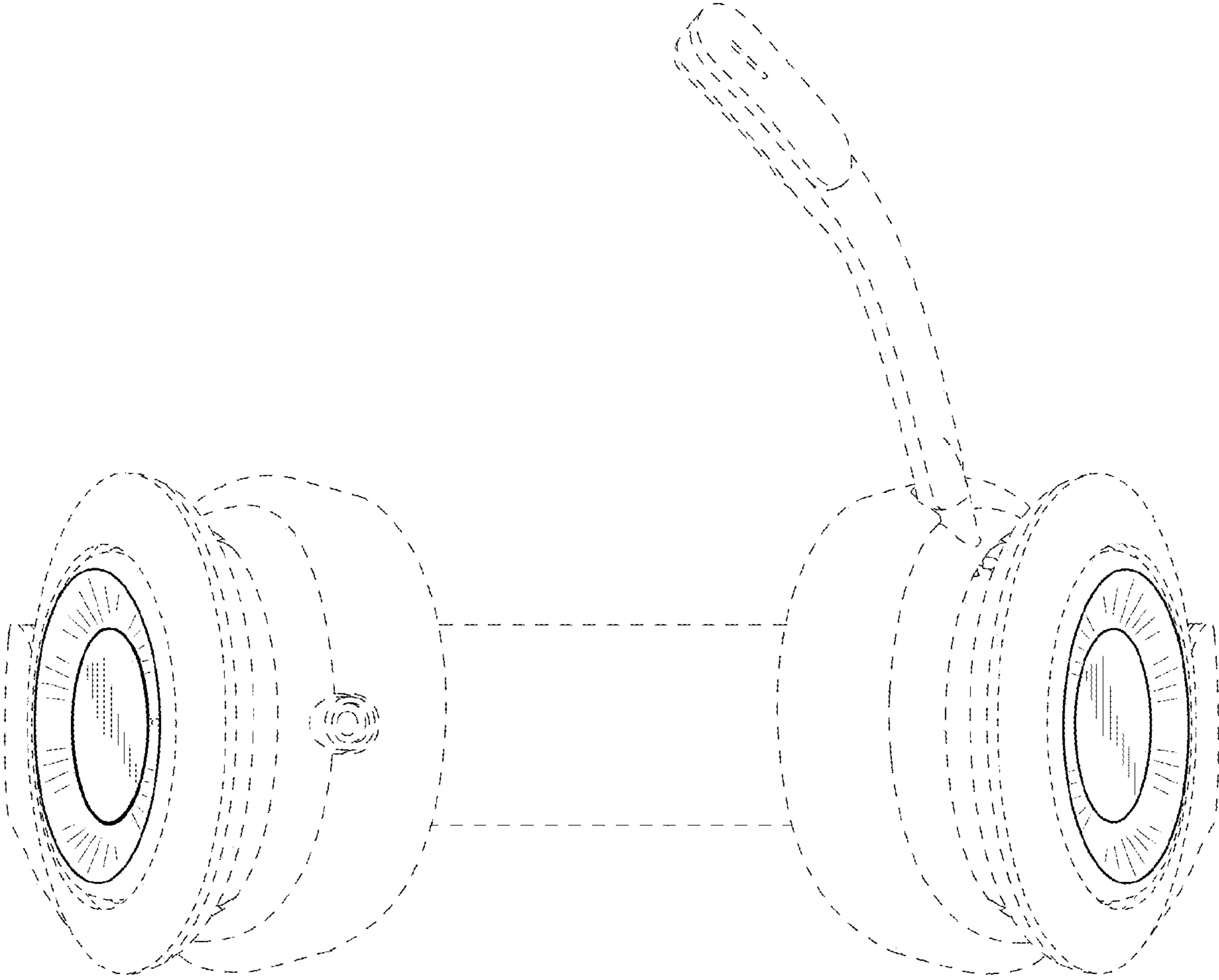


FIG.3

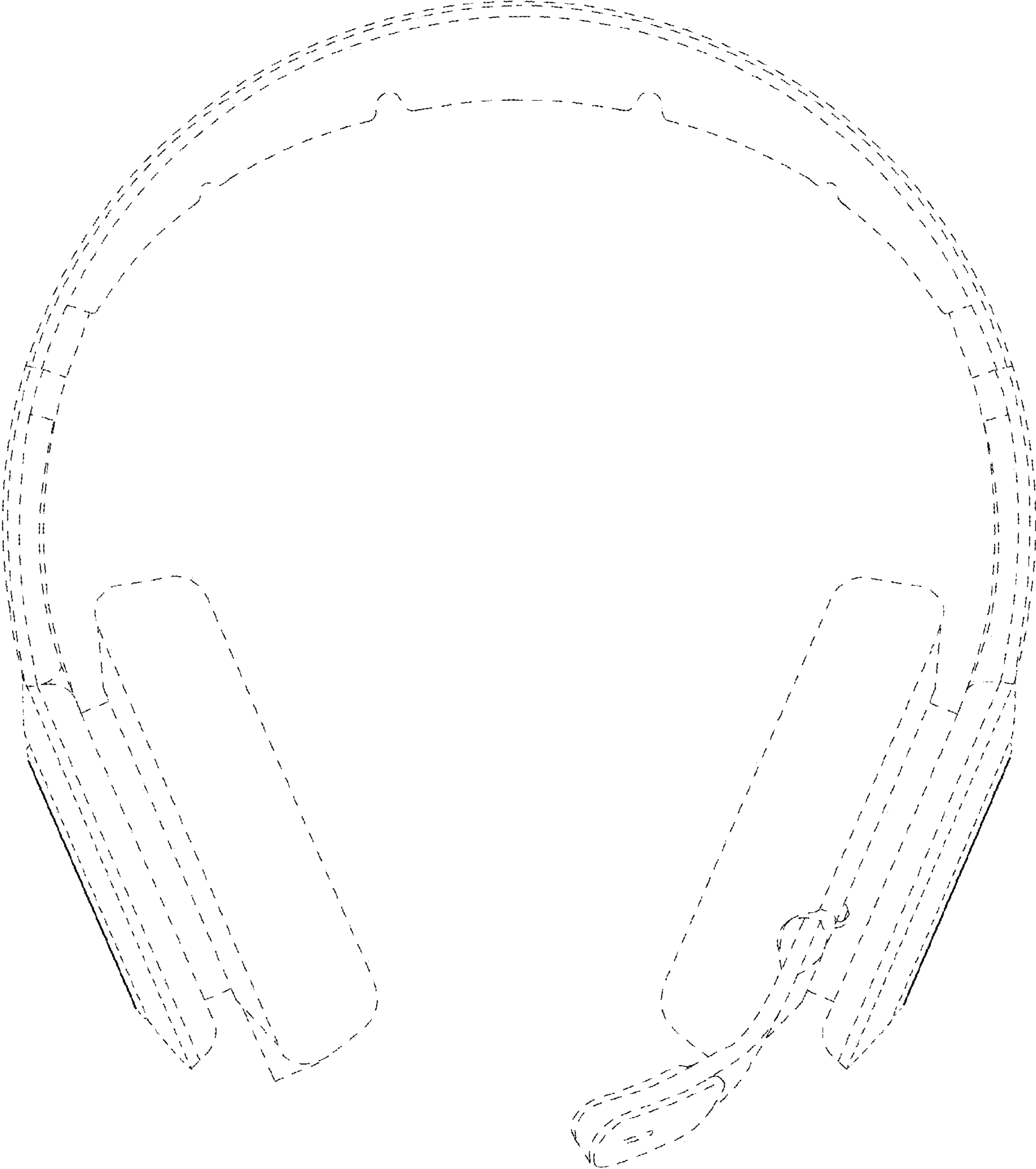


FIG.4

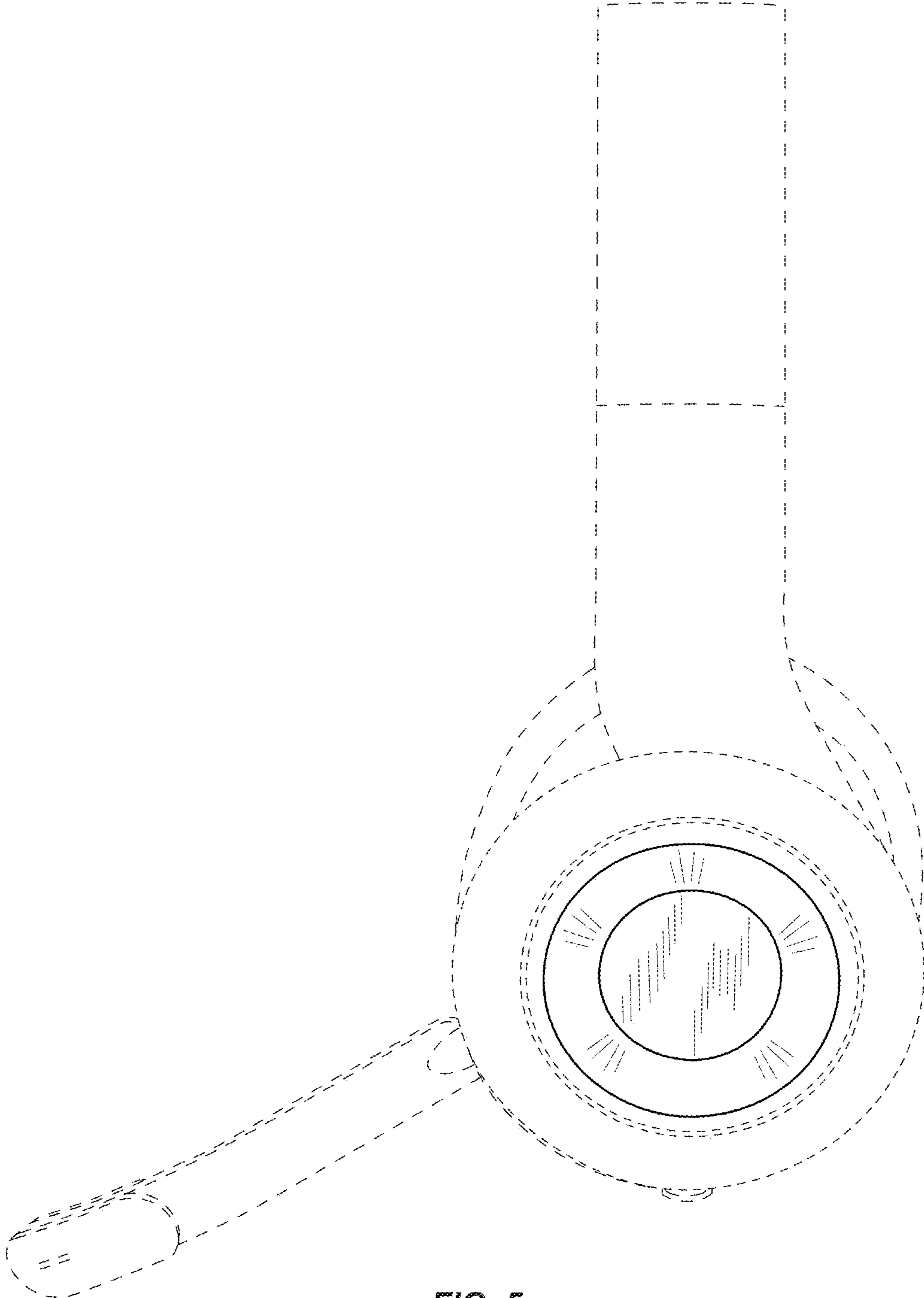


FIG. 5



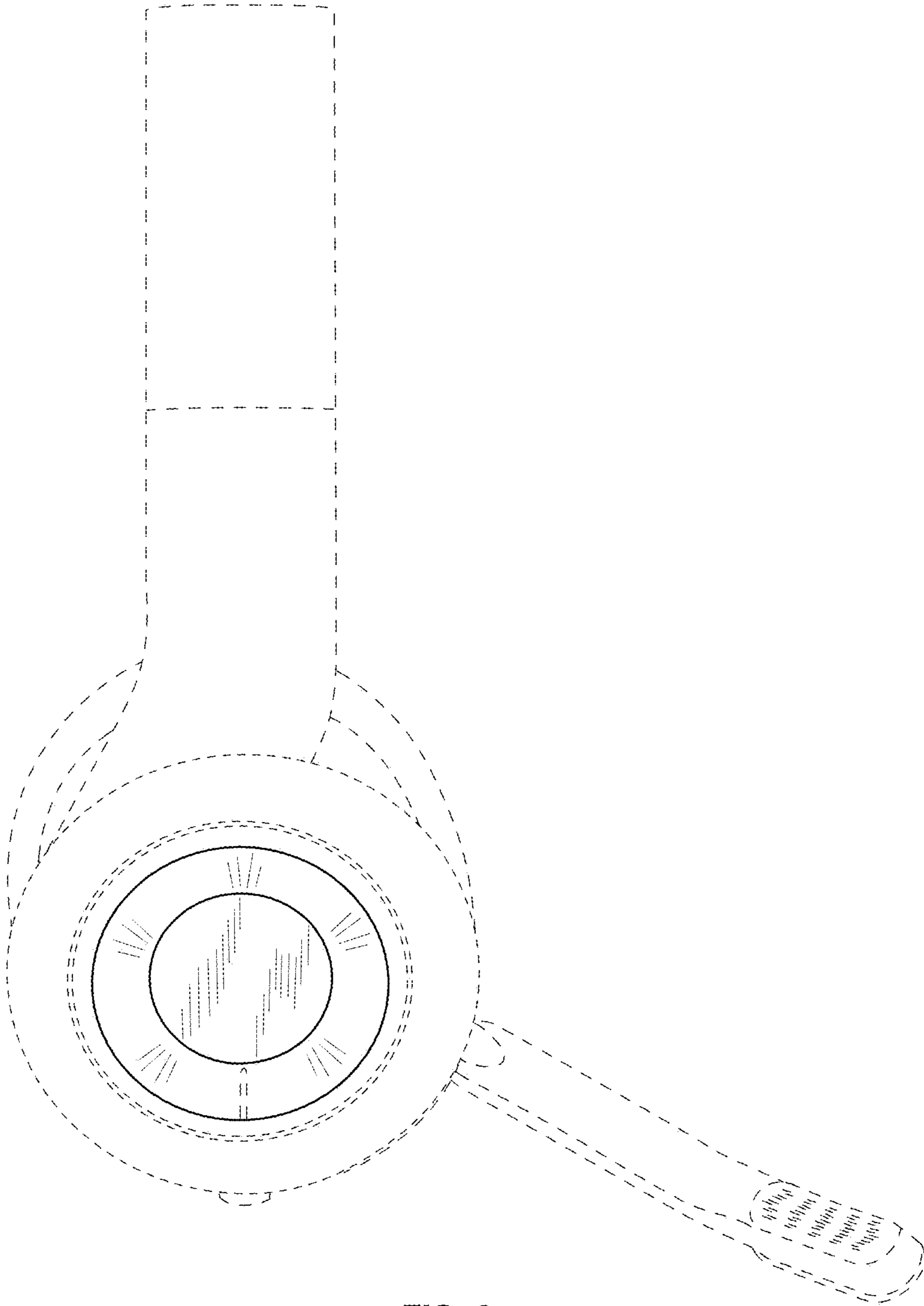


FIG. 6

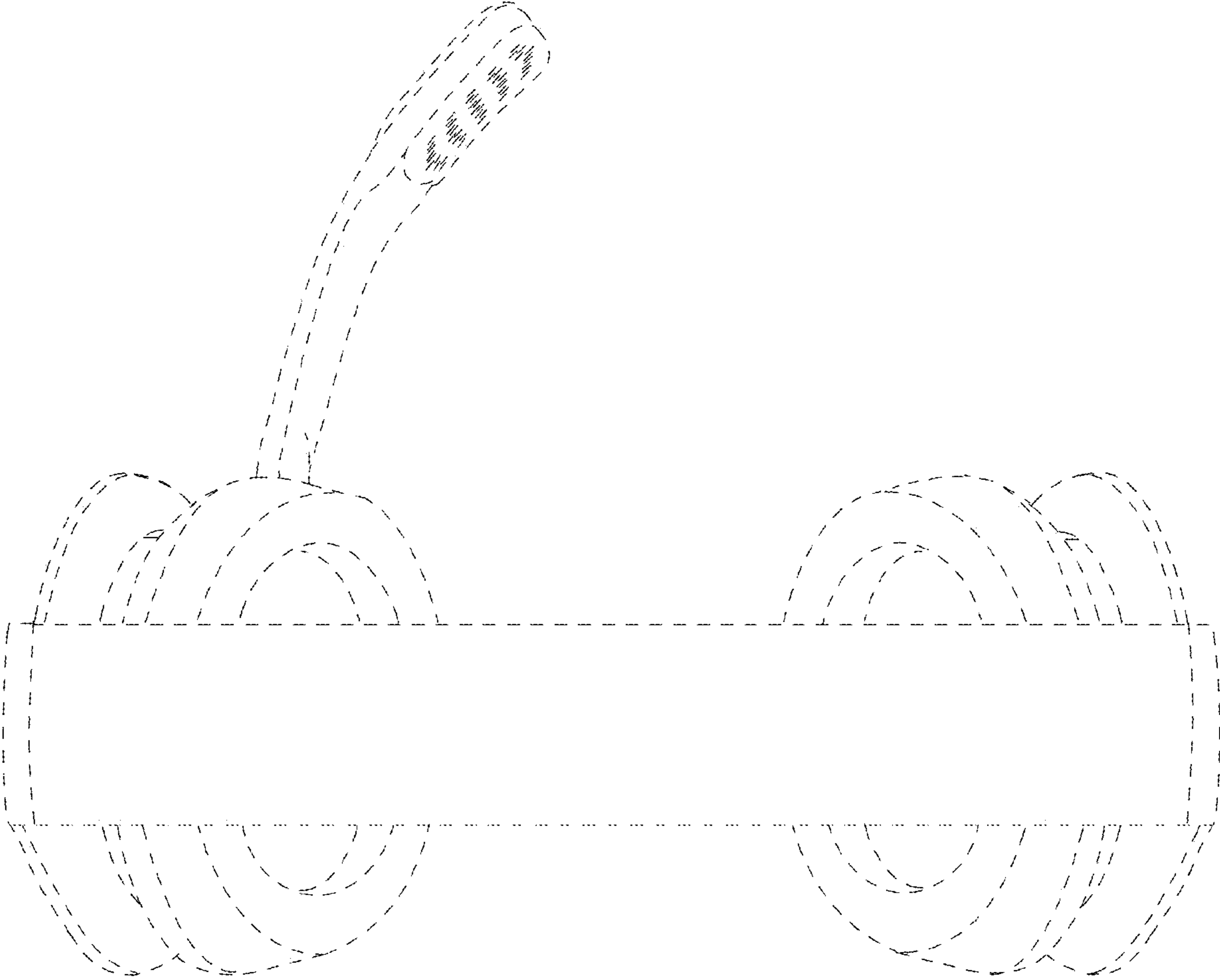


FIG.7