



US00D928732S

(12) **United States Design Patent**
Ehrensward

(10) **Patent No.:** **US D928,732 S**

(45) **Date of Patent:** **** Aug. 24, 2021**

(54) **BEZEL FOR ATTACHING SENSOR TO A PRINTED CIRCUIT BOARD IN A SECURITY KEY**

(71) Applicant: **Yubico AB**, Stockholm (SE)

(72) Inventor: **Jakob Ehrensward**, Palo Alto, CA (US)

(73) Assignee: **Yubico AB**, Stockholm (SE)

(**) Term: **15 Years**

(21) Appl. No.: **29/728,721**

(22) Filed: **Mar. 20, 2020**

(51) **LOC (13) Cl.** **13-03**

(52) **U.S. Cl.**
USPC **D13/182**

(58) **Field of Classification Search**
USPC D13/110, 123, 133, 182, 184, 199;
D15/144.1; D10/104.1, 106.9, 121;
D8/71, 349, 354, 499
CPC H05K 5/00; H05K 5/0004; H05K 5/0073;
H05K 5/0026; H05K 5/0078; H05K
5/0091; H05K 5/0234; H05K 5/026;
H05K 7/14; H05K 7/1422; H05K 7/1427;
H05K 7/1434; H05K 7/18; H05K
2201/10151; H05K 2201/10424; H05K
2201/10431; H05K 2201/10439; H05K
2201/20; H05K 2201/2018; H01R 13/00;
H01R 13/46; H01R 12/724; H01R 12/58;
H04N 5/2253; H04N 5/2256; H04N
2005/2255; A61B 1/00124; A61B 1/051
See application file for complete search history.

(56) **References Cited**

U.S. PATENT DOCUMENTS

3,072,734 A * 1/1963 Fox H05K 3/4084
174/254
D600,221 S * 9/2009 Sato D13/182
D600,222 S * 9/2009 Sato D13/182

D797,691 S * 9/2017 Joubert D13/182
10,044,143 B2 * 8/2018 Jang H01R 12/58
10,084,944 B2 * 9/2018 Henley A61B 1/00124
10,375,848 B2 * 8/2019 Dietmar H05K 7/1427
10,461,447 B2 * 10/2019 Taguchi H01R 43/0263
10,461,448 B2 * 10/2019 Hayashi H01R 12/58
10,629,870 B1 * 4/2020 Huang H01R 12/58
D891,382 S * 7/2020 Koppa D13/182
10,847,910 B1 * 11/2020 Amini G01S 7/481

(Continued)

Primary Examiner — Elizabeth J Oswecki

(74) Attorney, Agent, or Firm — Fenwick & West LLP

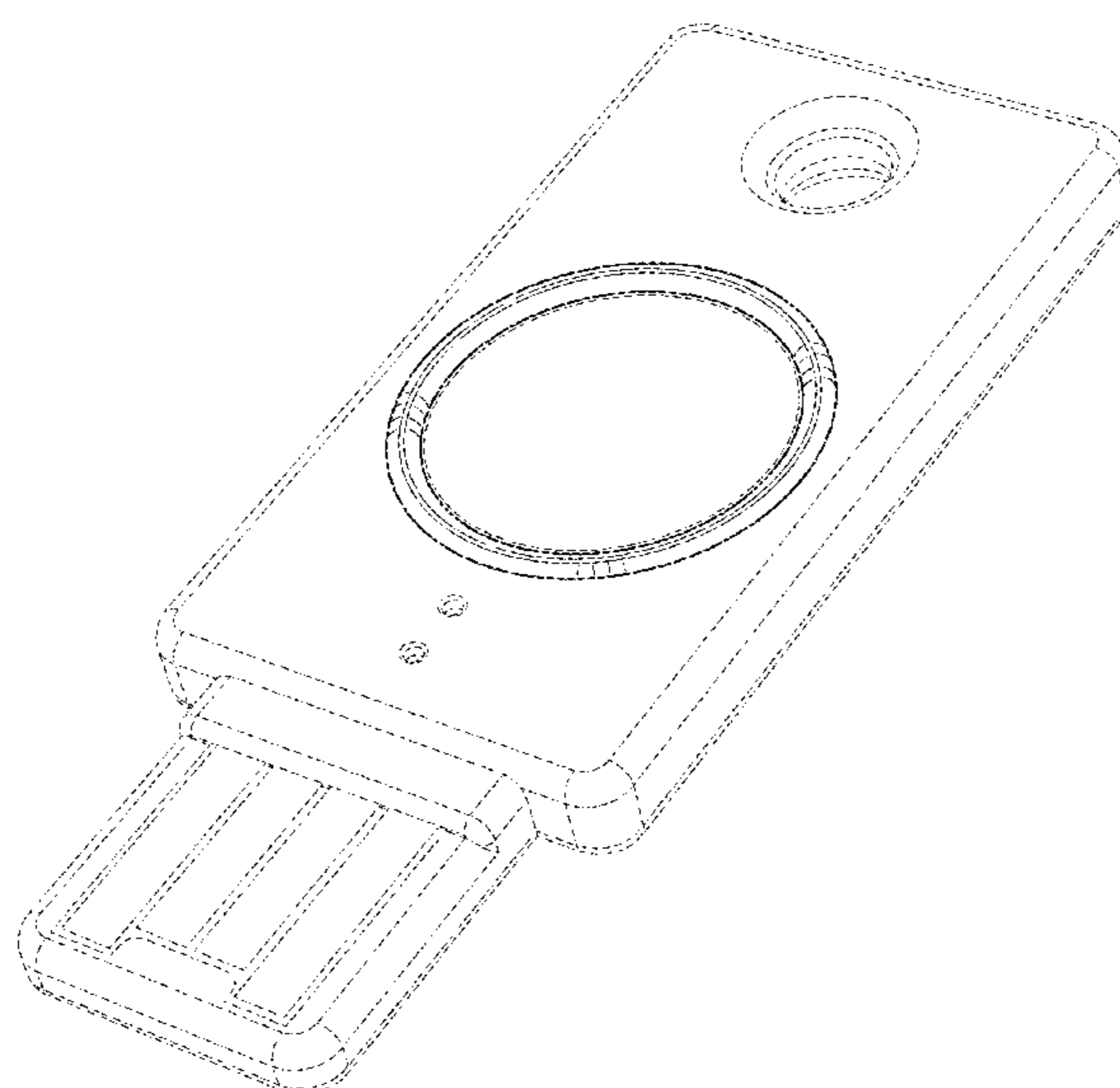
(57) **CLAIM**

The ornamental design for a bezel for attaching a sensor to a printed circuit board in a security key, as shown and described.

DESCRIPTION

FIG. 1 is a top perspective view of a bezel for attaching a sensor to a printed circuit board in a security key, showing my new design, in a used condition inserted in the top of a security key shown in broken lines;
FIG. 2 is a top view of the bezel for attaching a sensor to a printed circuit board in a security key, shown in an unused condition;
FIG. 3 is a side view of FIG. 2;
FIG. 4 is a cross sectional view taken along the lines 4-4 of FIG. 2;
FIG. 5 is a top perspective view of FIG. 2; and,
FIG. 6 is a bottom perspective view of FIG. 2, shown in a used condition with a sensor in broken lines.
The even dashed broken lines in the drawings illustrate environmental structure that form no part of the claimed design. The security key in FIG. 1 and the sensor in FIG. 6 are shown as environmental structure in broken lines and form no part of the claimed design.
A rib of the bezel, as shown in FIG. 4, is for aligning a sensor in a location relative to the bezel.

1 Claim, 6 Drawing Sheets



(56)

References Cited

U.S. PATENT DOCUMENTS

D916,038 S * 4/2021 Watanabe D13/182
2011/0051390 A1* 3/2011 Lin H01L 27/14625
361/818

* cited by examiner

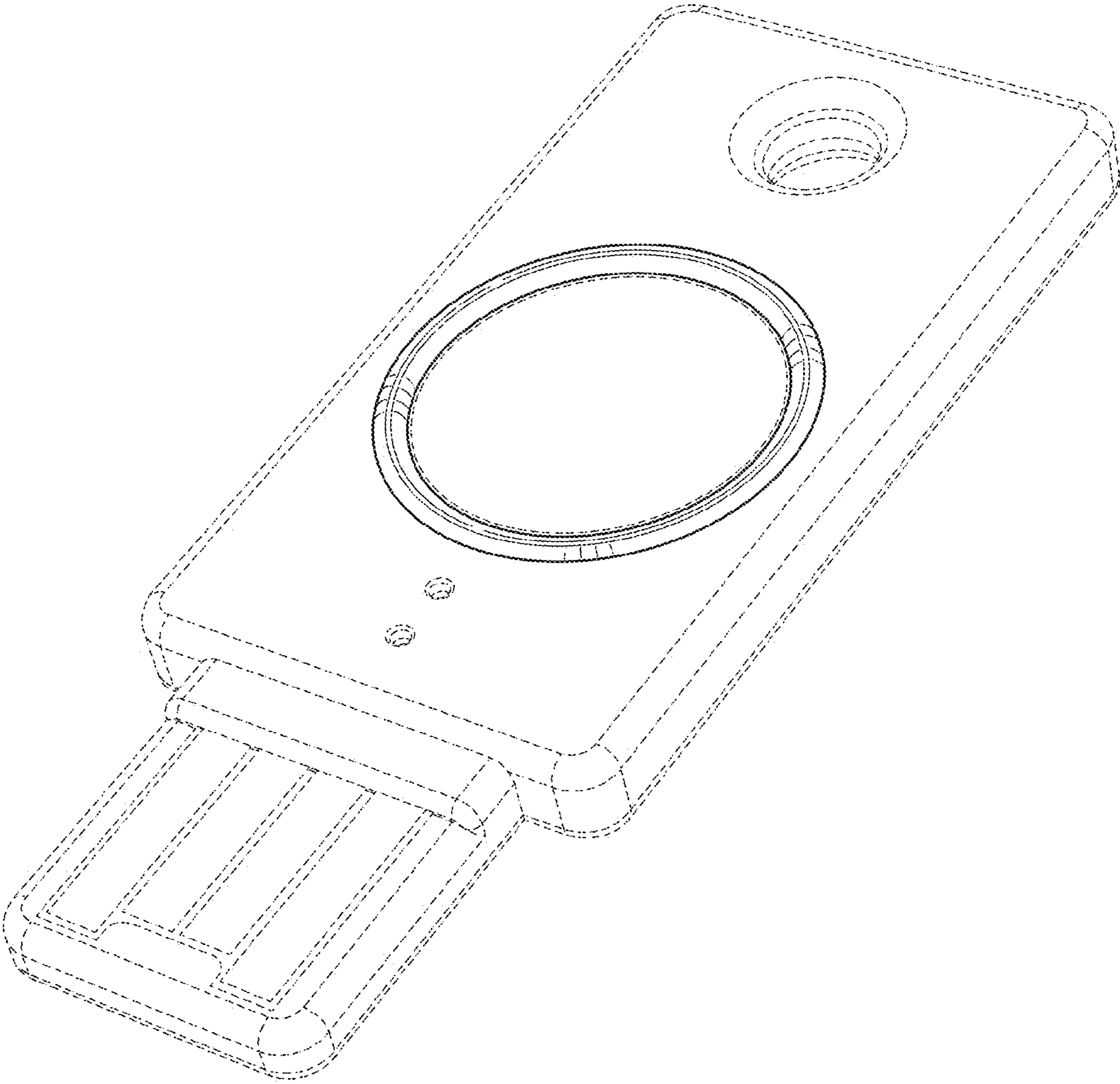


FIG. 1

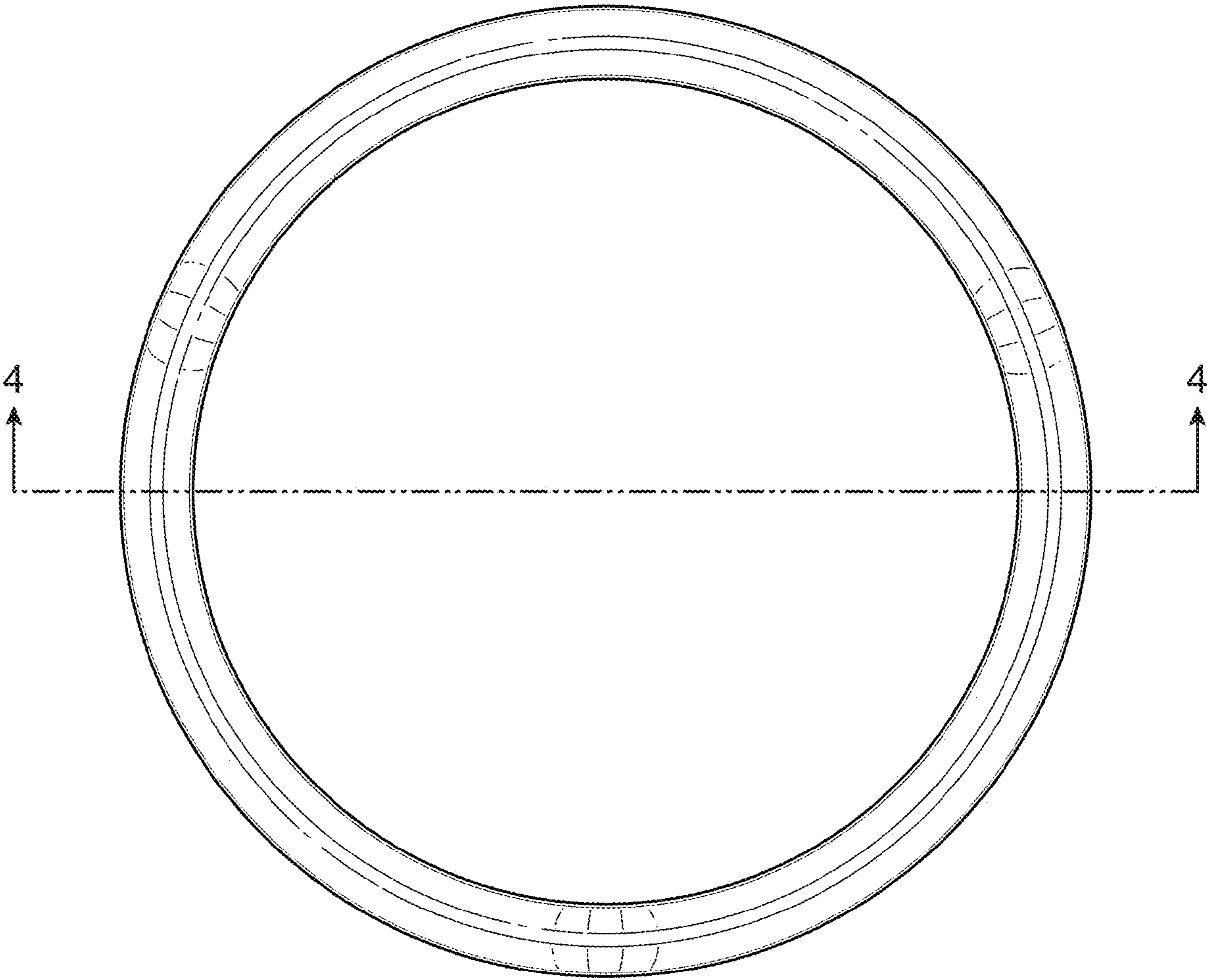


FIG. 2

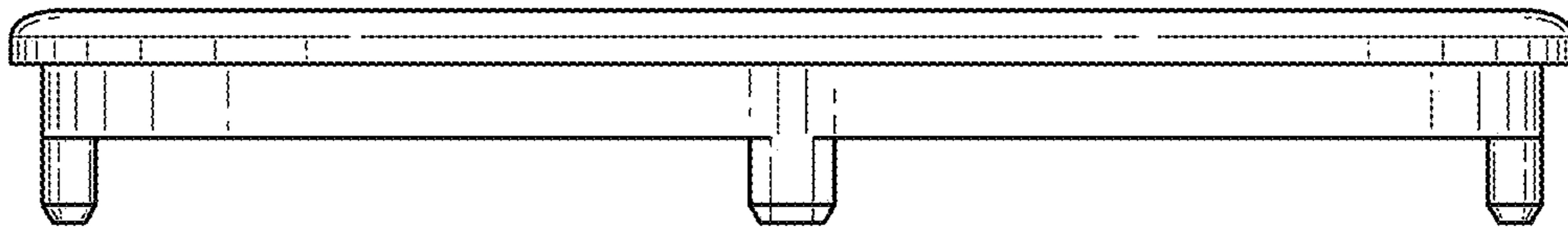


FIG. 3

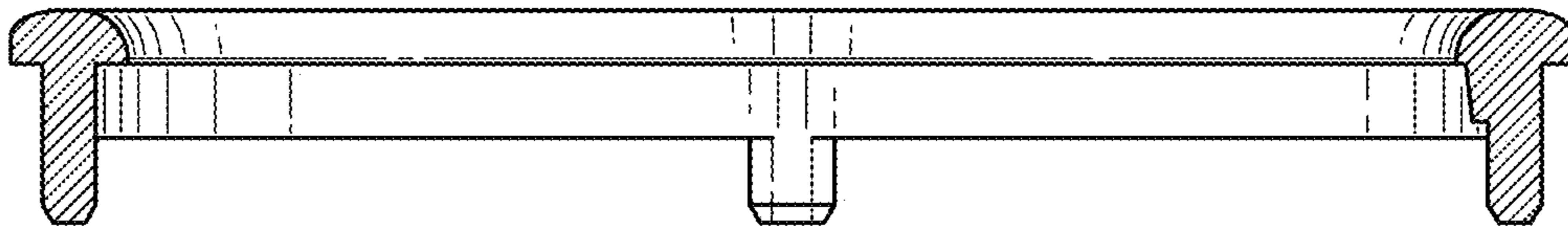


FIG. 4

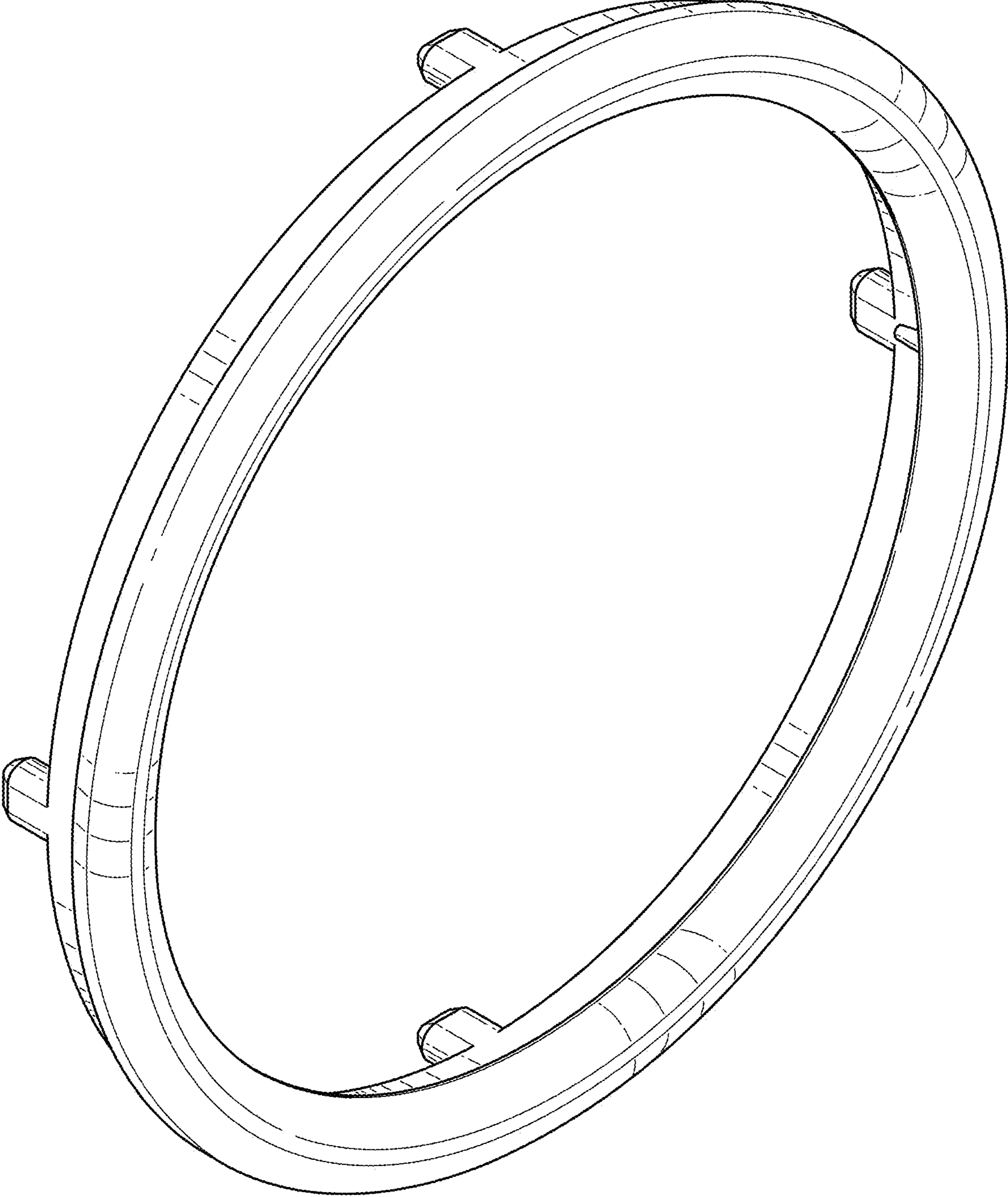


FIG. 5

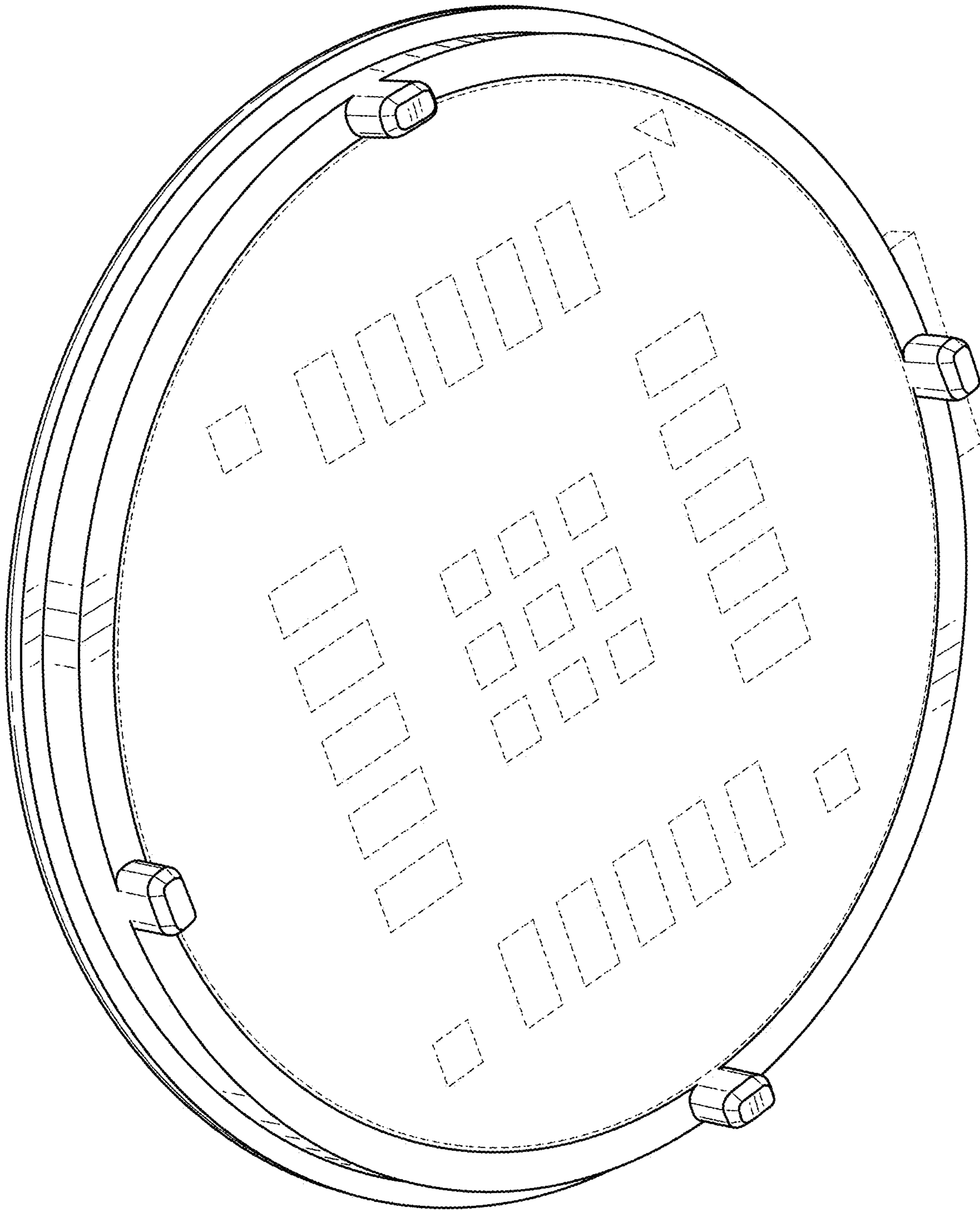


FIG. 6