



US00D928730S

(12) **United States Design Patent**
Ni

(10) **Patent No.:** **US D928,730 S**

(45) **Date of Patent:** **** Aug. 24, 2021**

- (54) **TRIPLE PADDLE SWITCH WITH CHANGEABLE LED MODULE**
- (71) Applicant: **Enerlites Inc.**, Irvine, CA (US)
- (72) Inventor: **Lidong Ni**, Zhejiang (CN)
- (73) Assignee: **Enerlites, Inc.**, Irvine, CA (US)
- (**) Term: **15 Years**
- (21) Appl. No.: **29/726,158**
- (22) Filed: **Feb. 28, 2020**
- (51) **LOC (13) Cl.** **13-03**
- (52) **U.S. Cl.**
USPC **D13/169**
- (58) **Field of Classification Search**
USPC D13/162, 169, 171, 174; D10/40
CPC H01H 3/02; H01H 3/022; H01H 3/12;
H01H 3/122; H01H 9/02; H01H 9/0235;
H01H 13/023; H01H 13/04; H01H 13/06;
H01H 13/063; H01H 13/10; H01H 13/12;
H01H 13/142; H01H 13/20; H01H 13/30;
H01H 13/36; H01H 13/70; H01H 13/86;
H01H 21/24; H01H 25/065
See application file for complete search history.

- D657,320 S * 4/2012 Hoffman D13/174
- D709,390 S * 7/2014 Ni D10/40
- 8,822,859 B2 * 9/2014 Hoffman H01H 23/04
200/339
- 10,256,862 B2 * 4/2019 Daigle H01R 13/74
- D851,608 S * 6/2019 Zheng D13/169
- 10,605,476 B2 * 3/2020 Ni F24F 11/30

(Continued)

Primary Examiner — Selina Sikder

(74) *Attorney, Agent, or Firm* — Ziegler IP Law Group, LLC

(57) **CLAIM**

The ornamental design for a triple paddle switch with changeable LED module, as shown and described.

DESCRIPTION

FIG. 1 is a front perspective view of one embodiment of the triple paddle switch showing the new design.

FIG. 2 is a front view thereof.

FIG. 3 is a left side view thereof.

FIG. 4 is a right side view thereof.

FIG. 5 is a top view thereof.

FIG. 6 is a bottom thereof.

FIG. 7 is a back view thereof.

FIG. 8 is a perspective view of a second embodiment of the triple paddle switch showing the changeable LED module in a uninserted state.

FIG. 9 is a left side view of the embodiment shown in FIG. 8.

FIG. 10 is a right side view of the embodiment shown in FIG. 8.

FIG. 11 is a top view of the embodiment shown in FIG. 8; and,

FIG. 12 is a bottom view of the embodiment shown in FIG. 8.

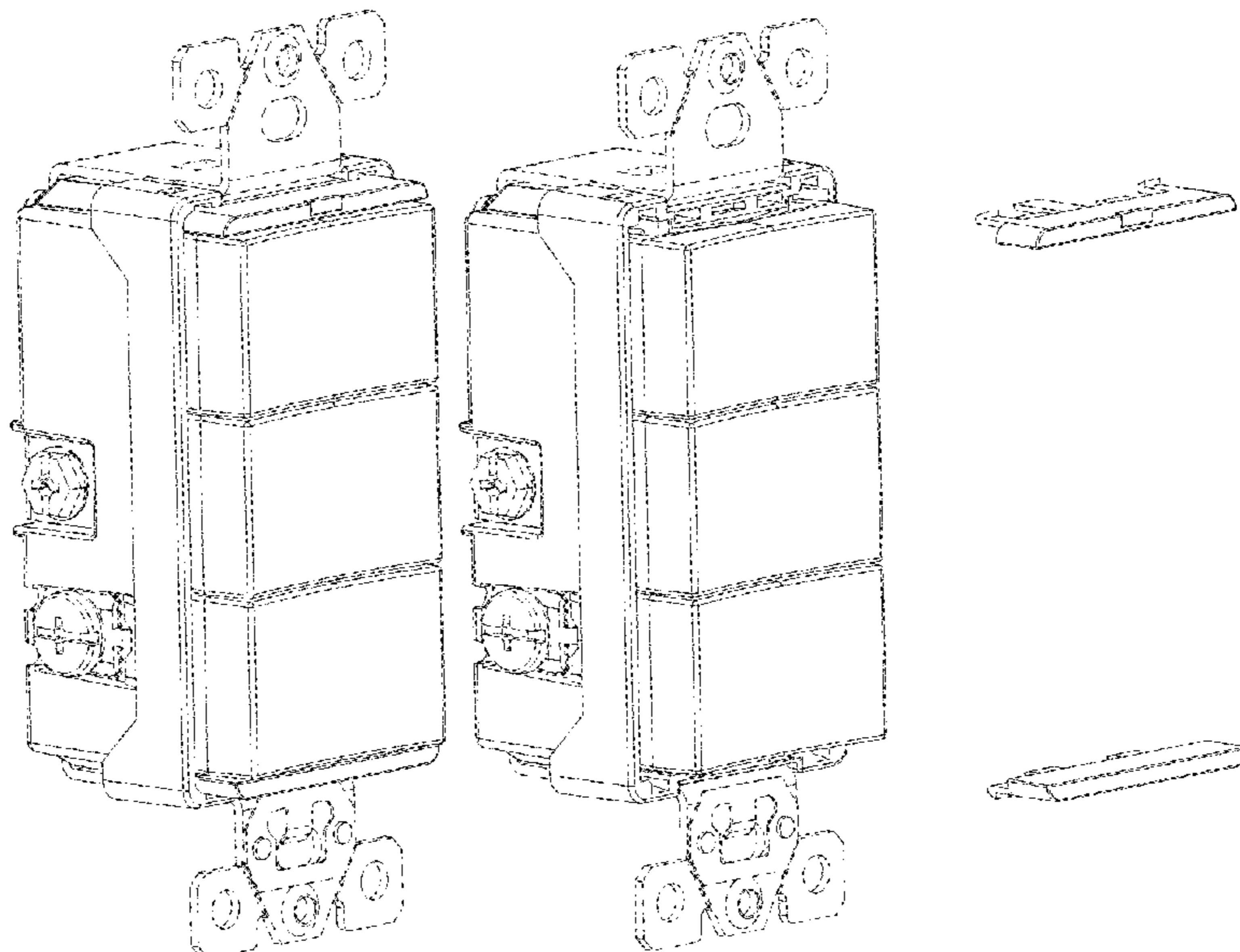
The environmental structure shown with broken lines in the drawings forms no part of the claimed design.

(56) **References Cited**

U.S. PATENT DOCUMENTS

- 5,036,168 A * 7/1991 Kikuchi H01H 23/025
200/5 R
- D331,741 S * 12/1992 Fujiyoshi D13/169
- D331,742 S * 12/1992 Fujiyoshi D13/169
- 5,384,441 A * 1/1995 Balaban H01H 23/02
200/339
- D504,403 S * 4/2005 Savicki, Jr. D13/169
- D504,667 S * 5/2005 Savicki, Jr. D13/169
- D508,680 S * 8/2005 Savicki, Jr. D13/169
- 7,360,912 B1 * 4/2008 Savicki, Jr. H01H 23/025
200/317

1 Claim, 12 Drawing Sheets



(56)

References Cited

U.S. PATENT DOCUMENTS

2004/0130456 A1* 7/2004 Wu H01H 3/12
340/9.1
2017/0188437 A1* 6/2017 Banta G10L 15/22
2018/0218855 A1* 8/2018 Lange H01H 13/14
2020/0035089 A1* 1/2020 Liu H01H 21/24
2020/0037459 A1* 1/2020 Liu H02N 2/18

* cited by examiner

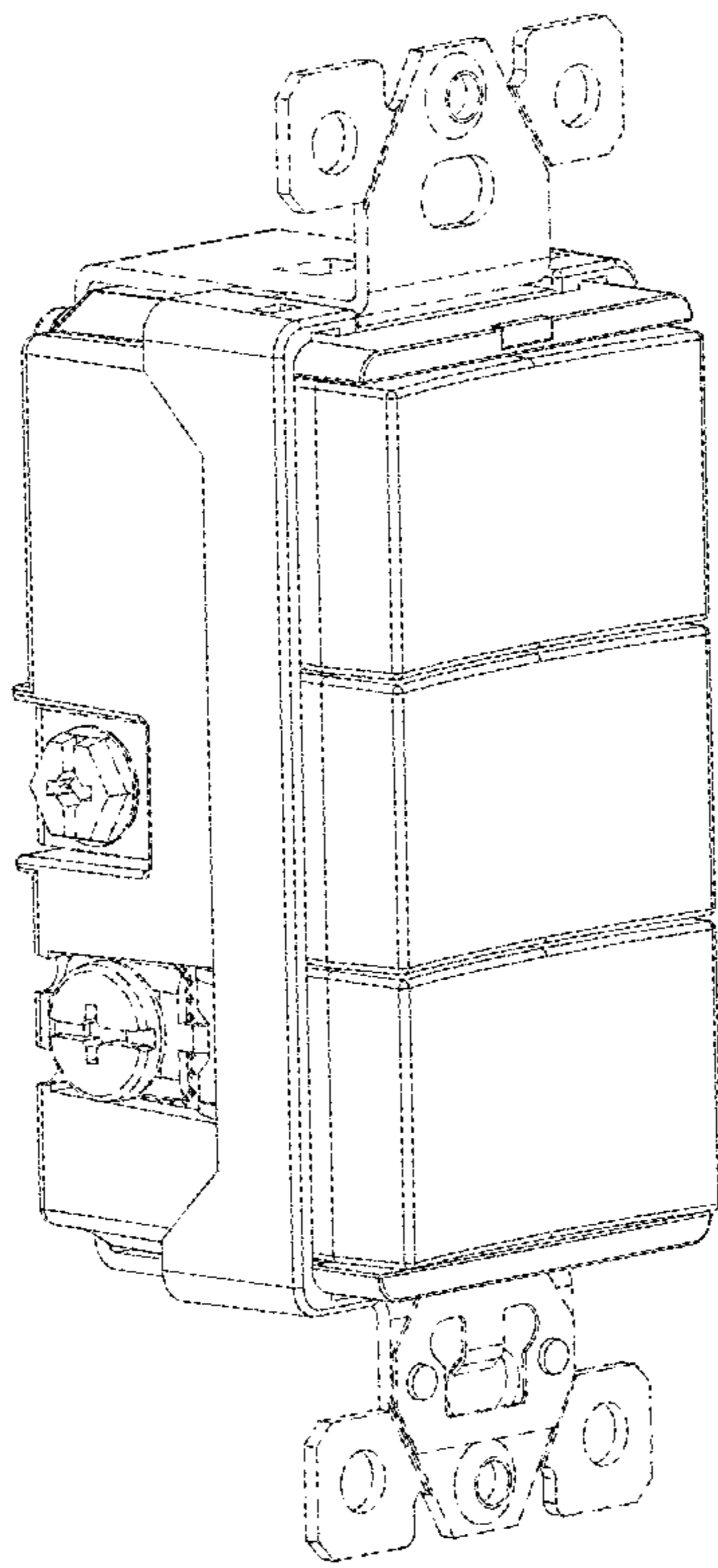


FIG.1

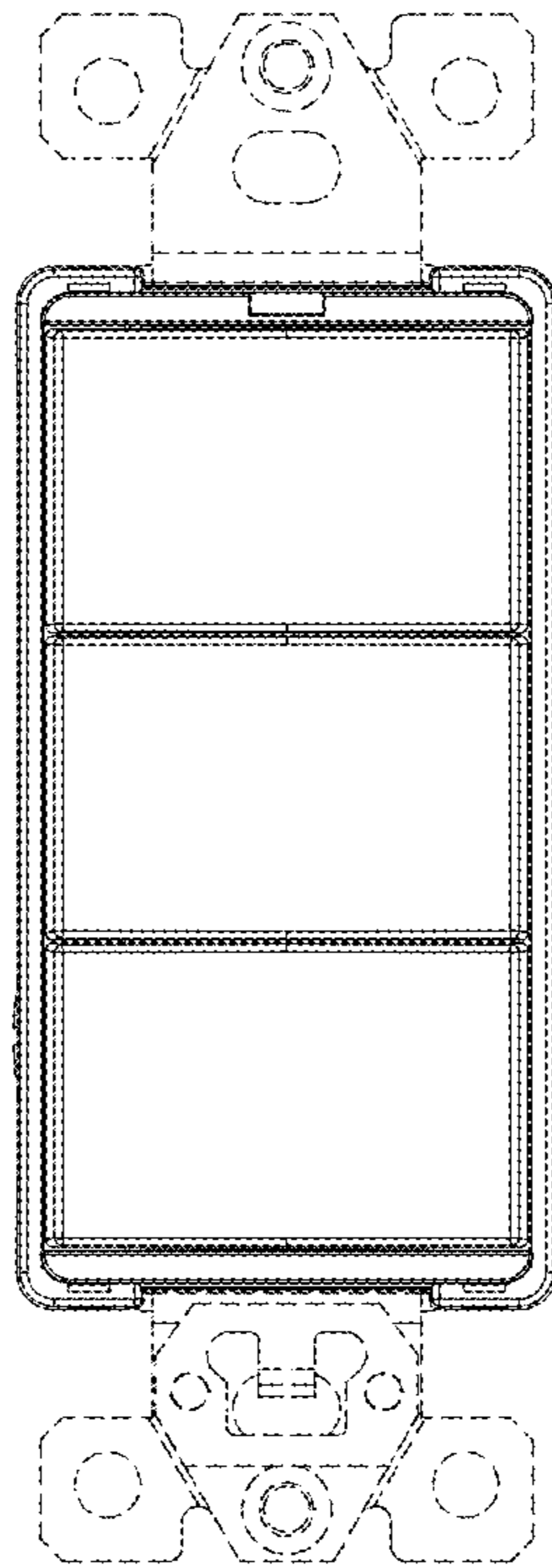


FIG.2

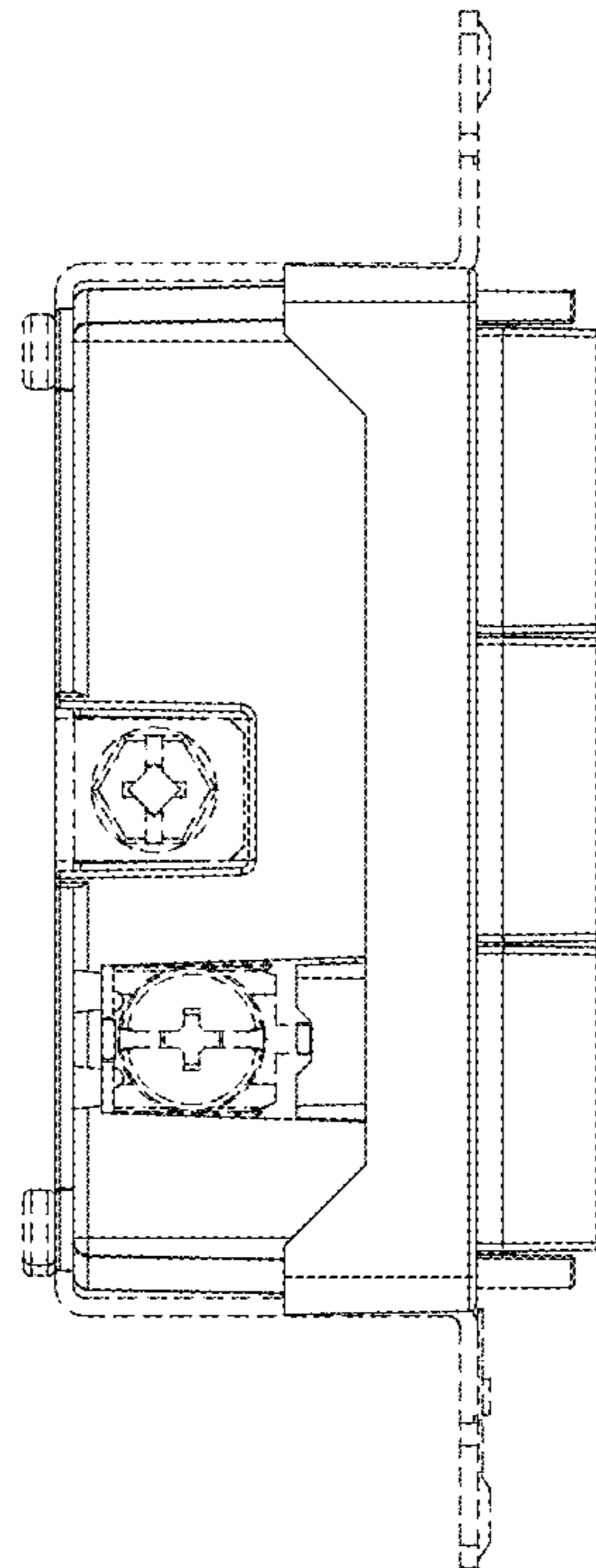


FIG.3

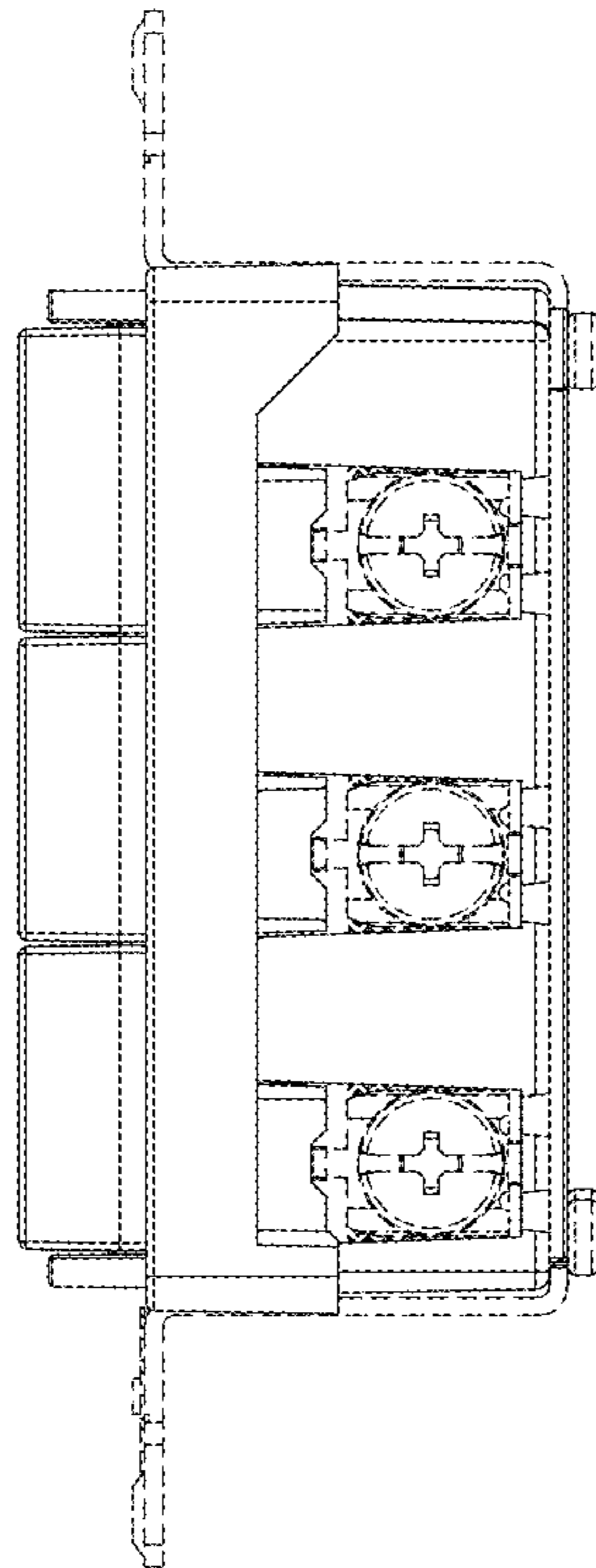


FIG.4

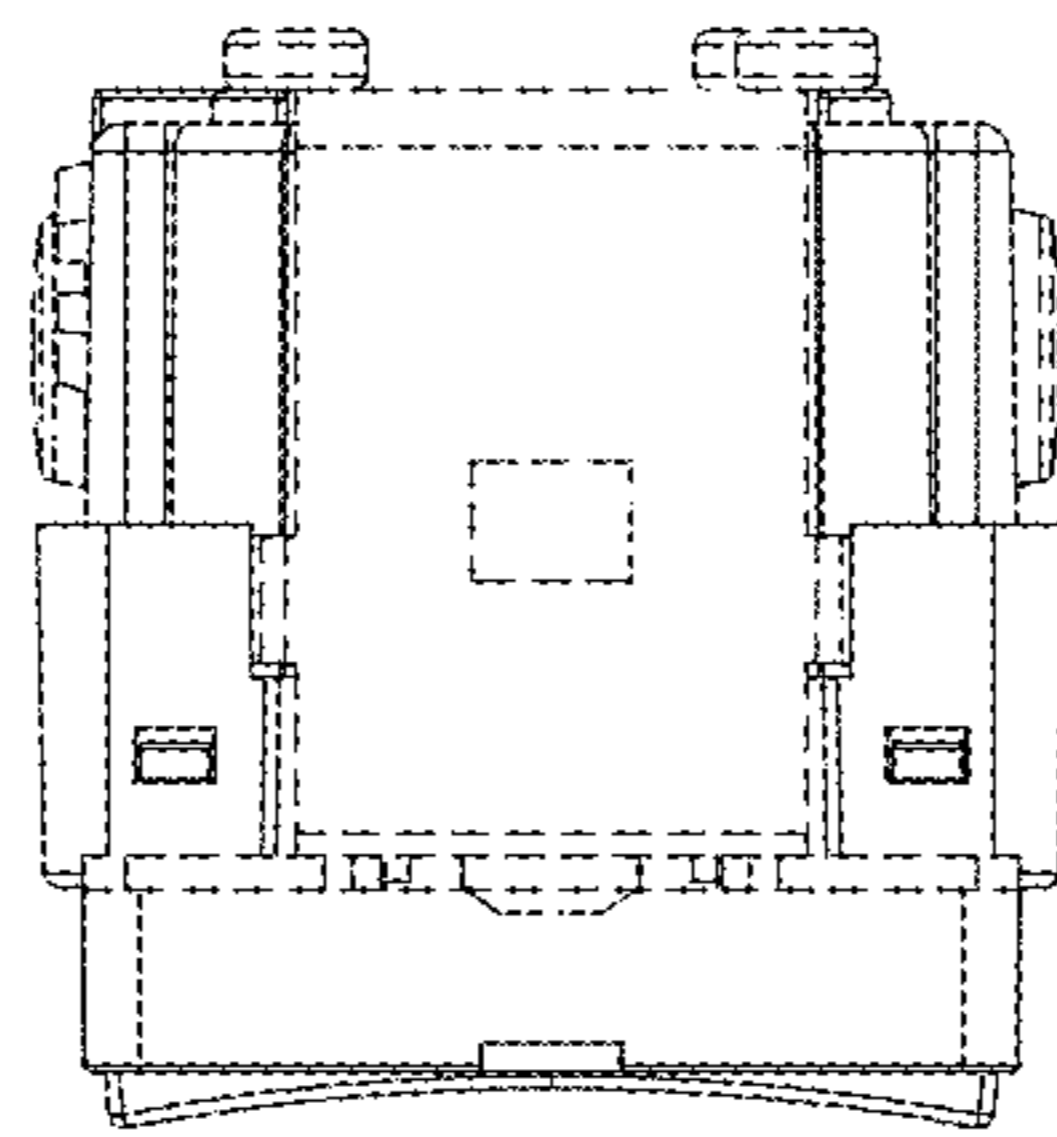


FIG.5

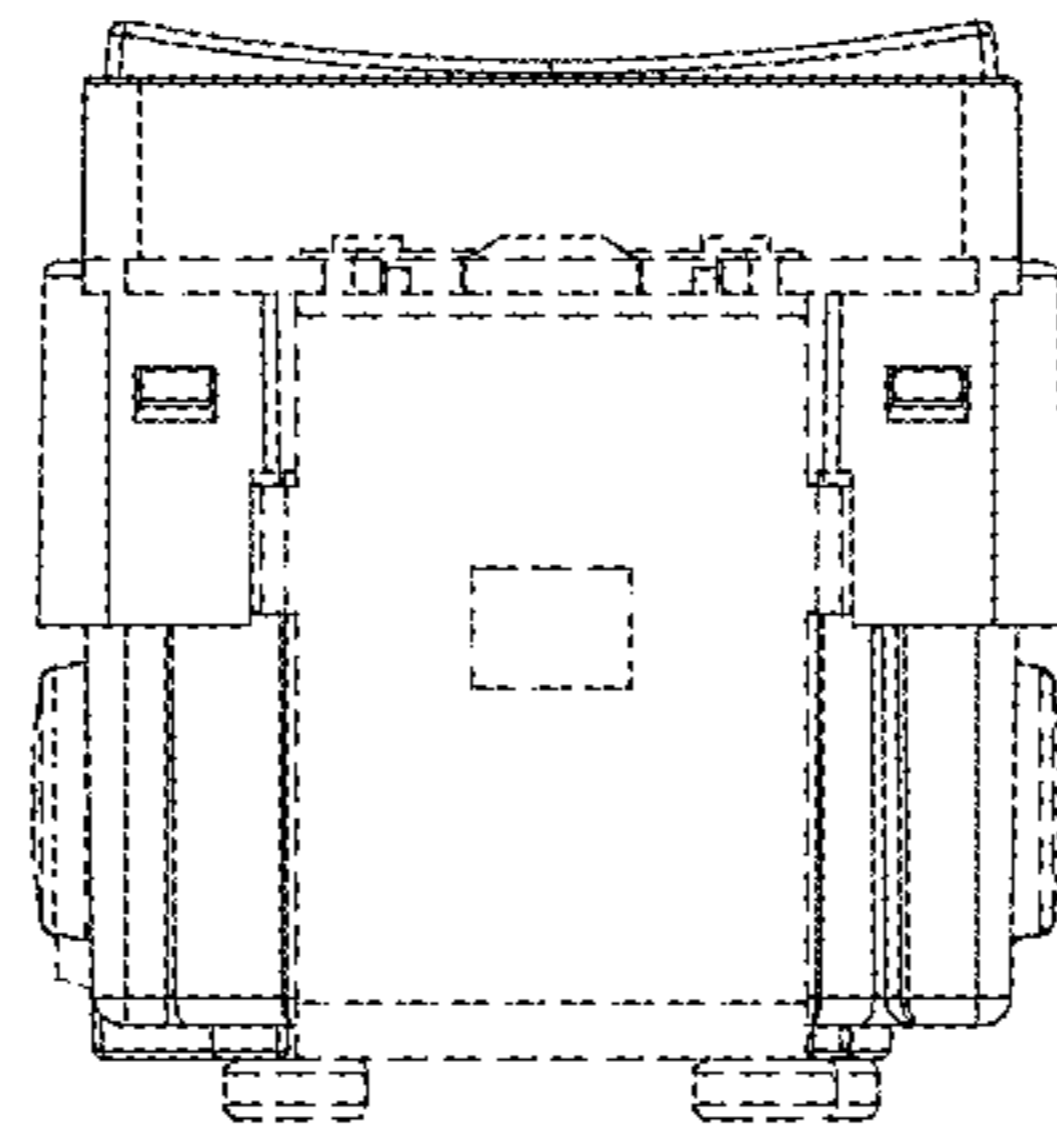


FIG.6

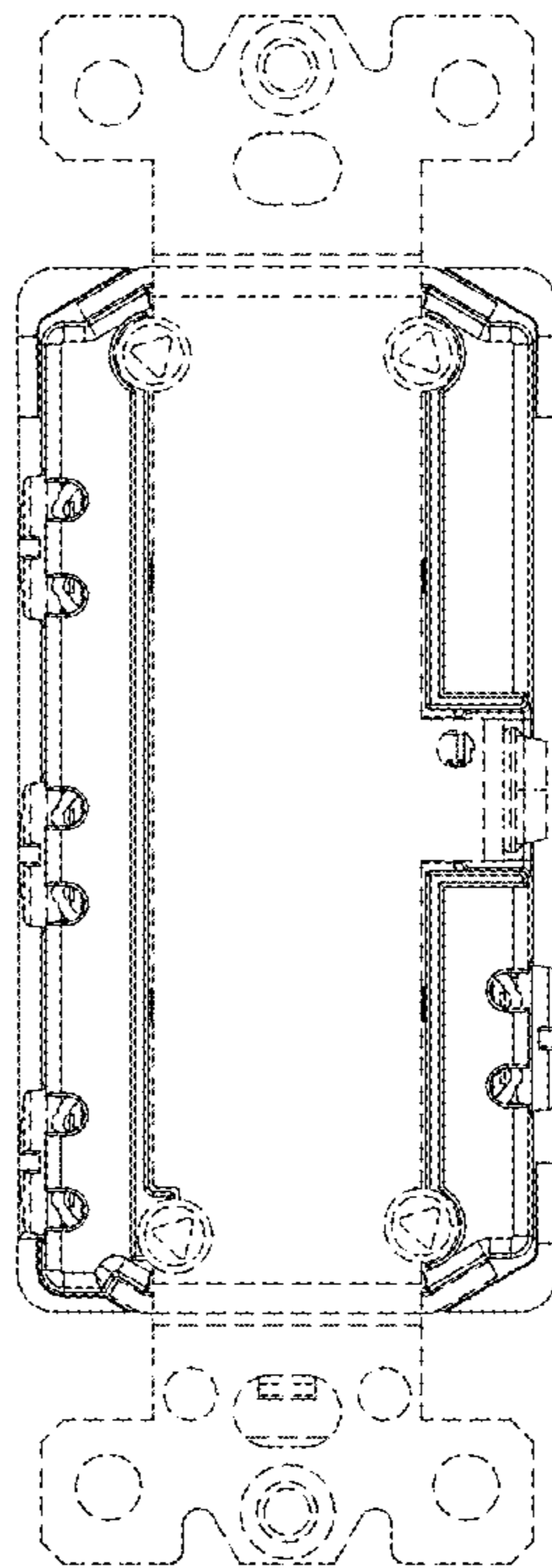


FIG.7

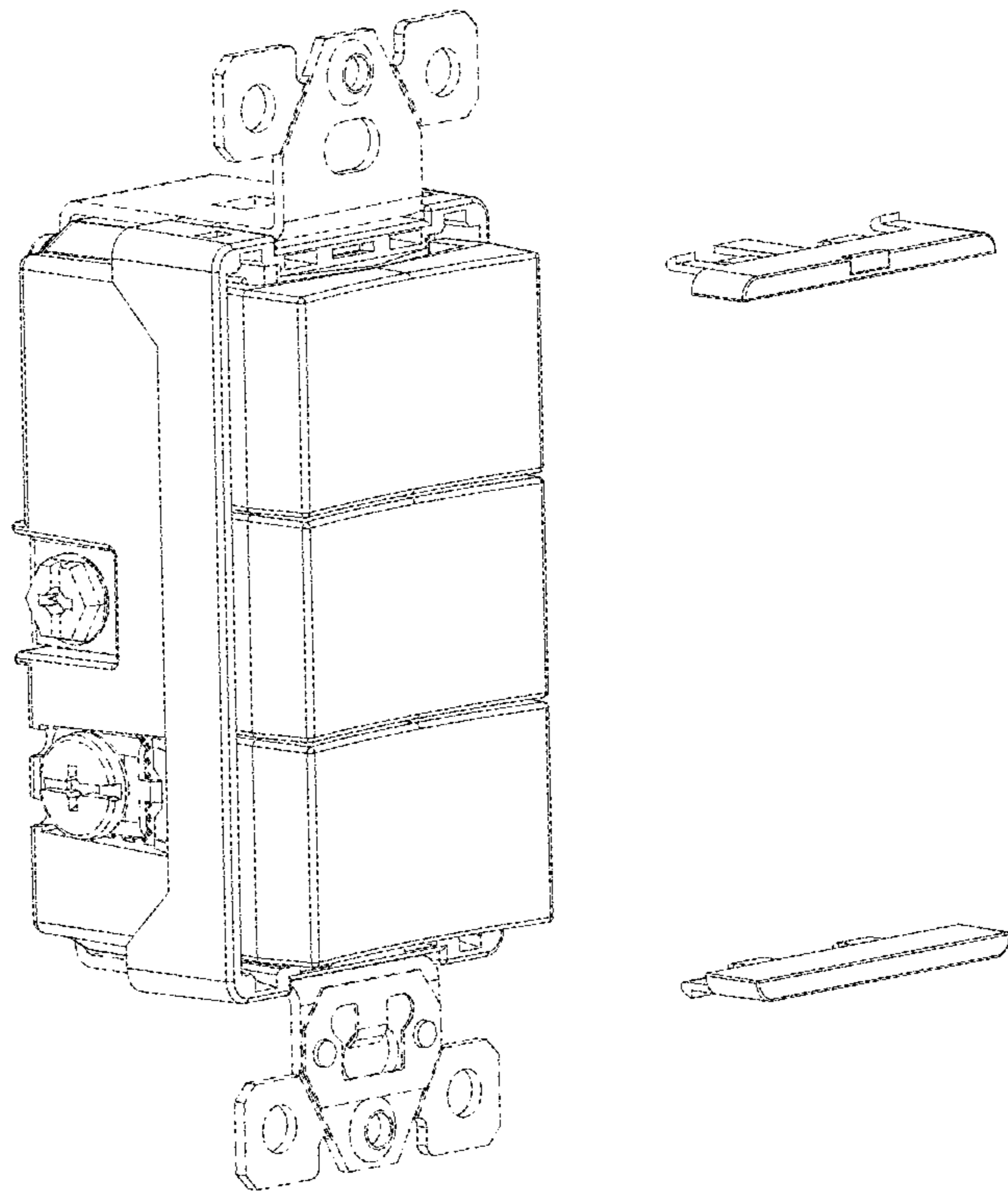


FIG.8

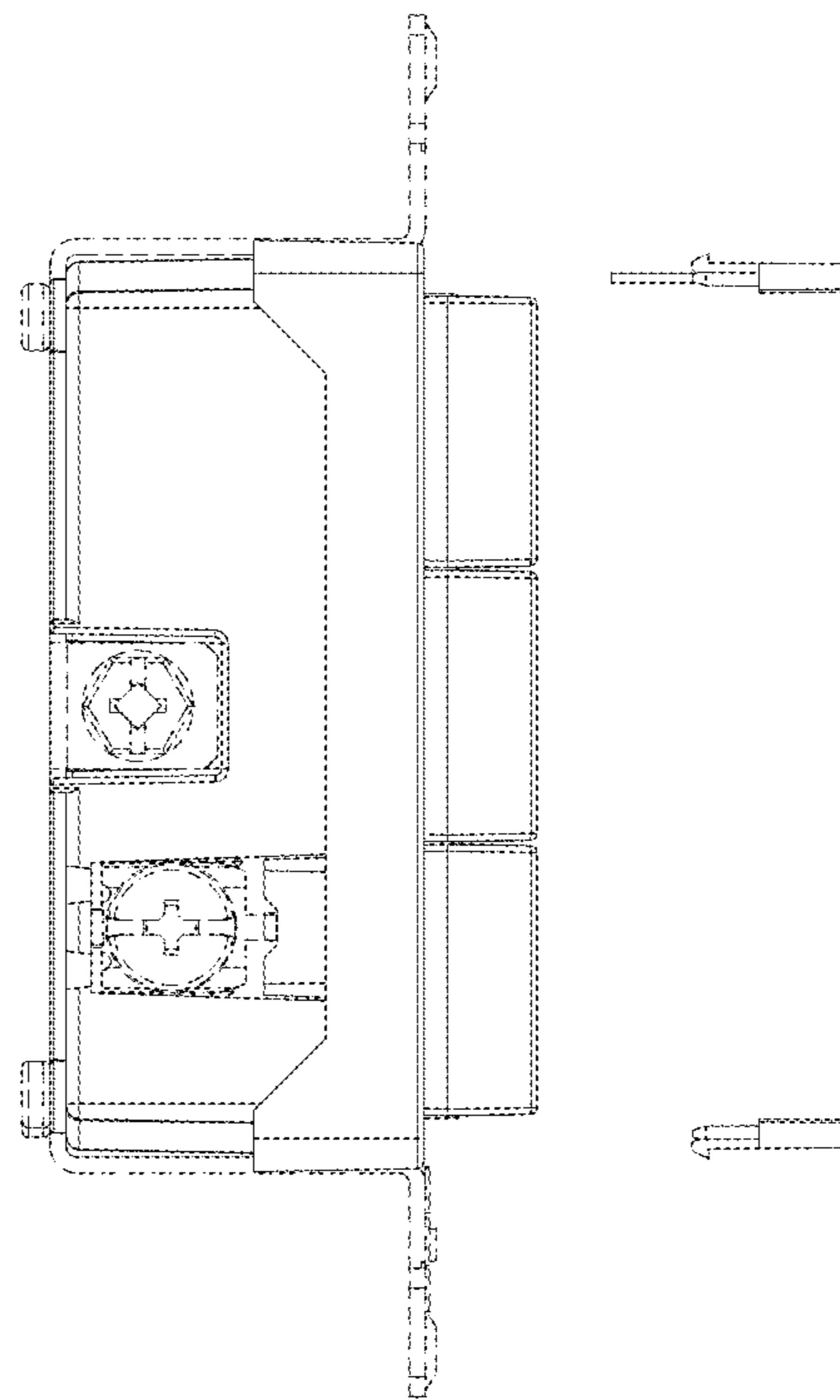


FIG.9

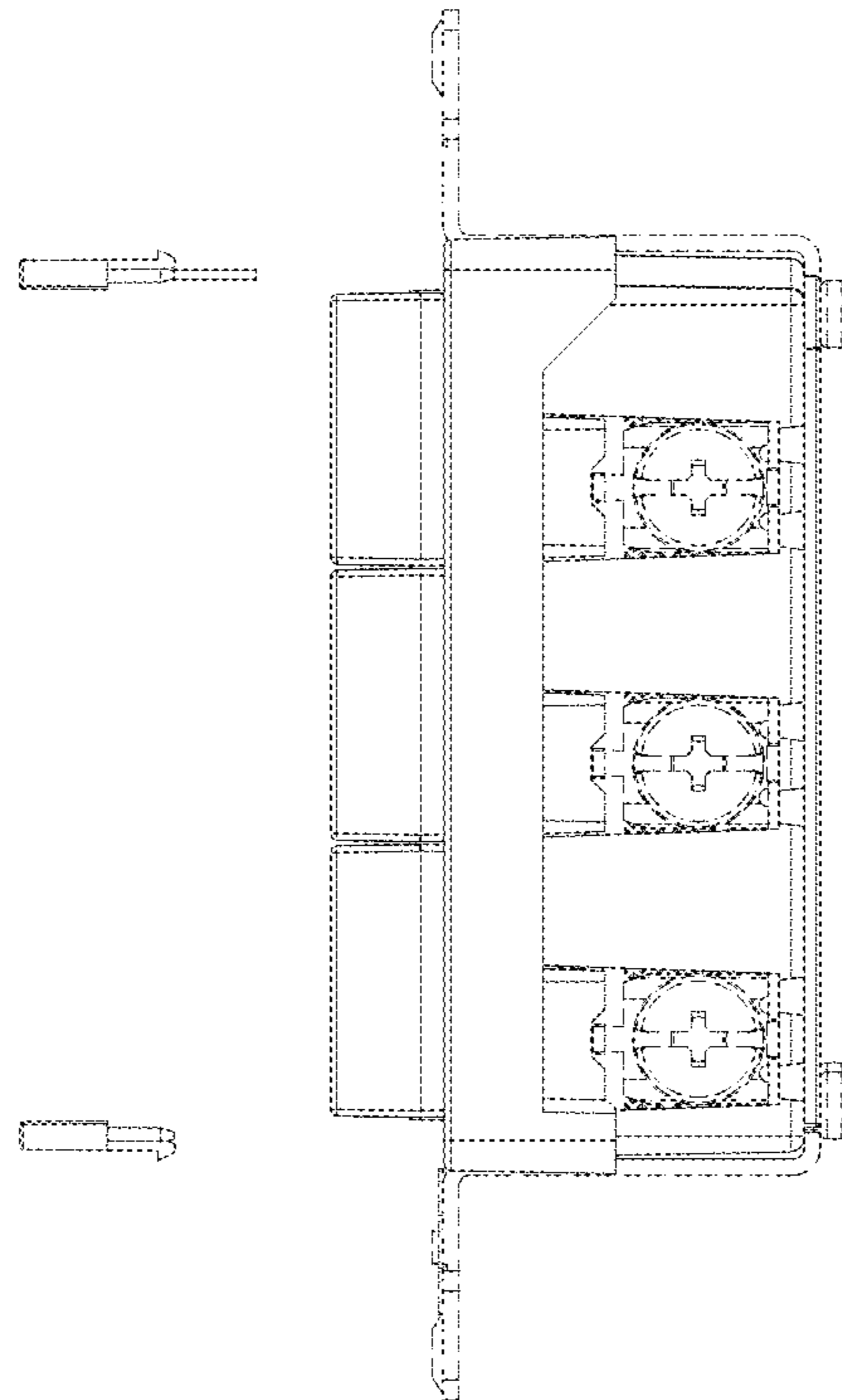


FIG.10

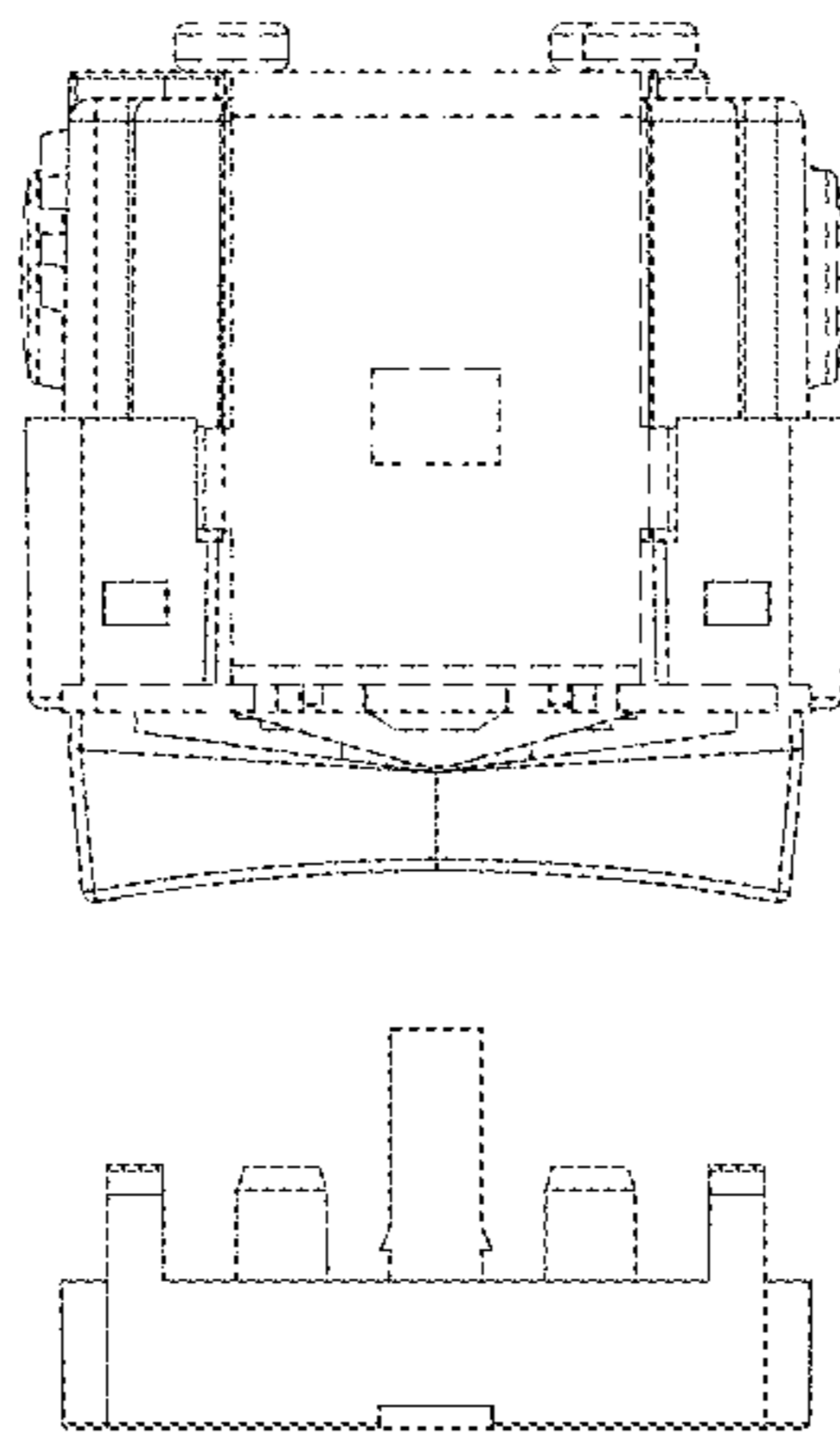


FIG.11

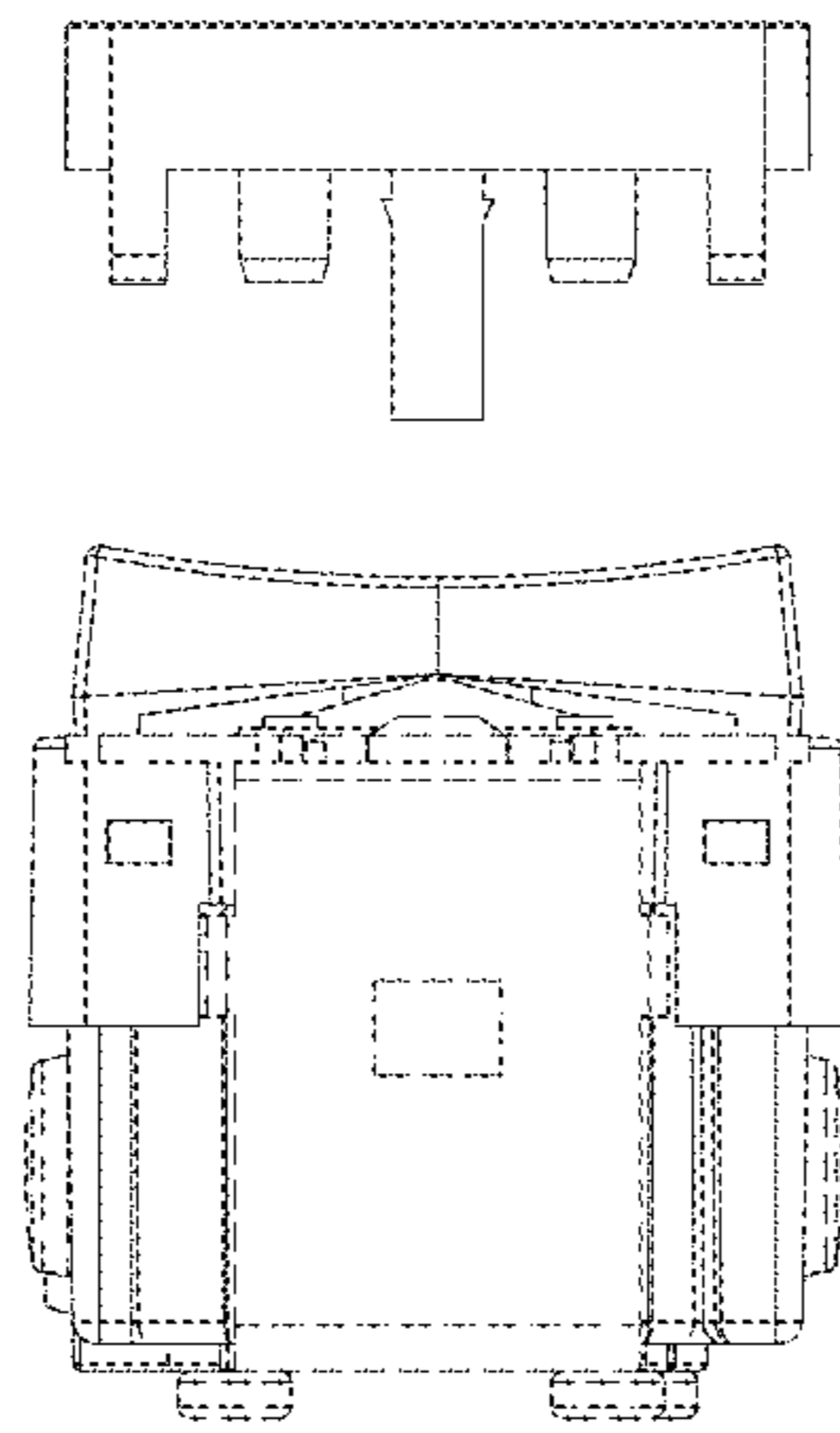


FIG.12