



US00D928729S

(12) **United States Design Patent**  
**Ni**

(10) **Patent No.:** **US D928,729 S**

(45) **Date of Patent:** **\*\* Aug. 24, 2021**

(54) **DUPLEX PADDLE SWITCH WITH CHANGEABLE LED MODULE**

(71) Applicant: **Enerlites Inc.**, Irvine, CA (US)

(72) Inventor: **Lidong Ni**, Zhejiang (CN)

(73) Assignee: **Enerlites, Inc.**, Irvine, CA (US)

(\*\*) Term: **15 Years**

(21) Appl. No.: **29/726,156**

(22) Filed: **Feb. 28, 2020**

(51) **LOC (13) Cl.** ..... **13-03**

(52) **U.S. Cl.**  
USPC ..... **D13/169**

(58) **Field of Classification Search**

USPC ..... D13/162, 169, 171, 174; D10/40  
CPC ..... H01H 3/02; H01H 3/022; H01H 3/12;  
H01H 3/122; H01H 9/02; H01H 9/0235;  
H01H 13/023; H01H 13/04; H01H 13/06;  
H01H 13/063; H01H 13/10; H01H 13/12;  
H01H 13/142; H01H 13/20; H01H 13/30;  
H01H 13/36; H01H 13/70; H01H 13/86;  
H01H 21/24; H01H 25/065

See application file for complete search history.

(56) **References Cited**

**U.S. PATENT DOCUMENTS**

- 5,036,168 A \* 7/1991 Kikuchi ..... H01H 23/025  
200/5 R
- D331,741 S \* 12/1992 Fujiyoshi ..... D13/169
- D331,742 S \* 12/1992 Fujiyoshi ..... D13/169
- 5,384,441 A \* 1/1995 Balaban ..... H01H 23/02  
200/339
- D504,403 S \* 4/2005 Savicki, Jr. .... D13/169
- D504,667 S \* 5/2005 Savicki, Jr. .... D13/169
- D508,680 S \* 8/2005 Savicki, Jr. .... D13/169
- 7,360,912 B1 \* 4/2008 Savicki, Jr. .... H01H 23/025  
200/317

- D657,320 S \* 4/2012 Hoffman ..... D13/174
- D709,390 S \* 7/2014 Ni ..... D10/40
- 8,822,859 B2 \* 9/2014 Hoffman ..... H01H 23/04  
200/339
- 10,256,862 B2 \* 4/2019 Daigle ..... H01R 13/74
- D851,608 S \* 6/2019 Zheng ..... D13/169
- 10,605,476 B2 \* 3/2020 Ni ..... F24F 11/30

(Continued)

*Primary Examiner* — Selina Sikder

(74) *Attorney, Agent, or Firm* — Ziegler IP Law Group, LLC

(57) **CLAIM**

The ornamental design for a duplex paddle switch with changeable LED module, as shown and described.

**DESCRIPTION**

FIG. 1 is a front perspective view of one embodiment of the duplex paddle switch showing the new design.

FIG. 2 is a front view thereof.

FIG. 3 is a left side view thereof.

FIG. 4 is a right side view thereof.

FIG. 5 is a top view thereof.

FIG. 6 is a bottom thereof.

FIG. 7 is a back view thereof.

FIG. 8 is a perspective view of a second embodiment of the duplex paddle switch showing the changeable LED module in a uninserted state.

FIG. 9 is a left side view of the embodiment shown in FIG. 8.

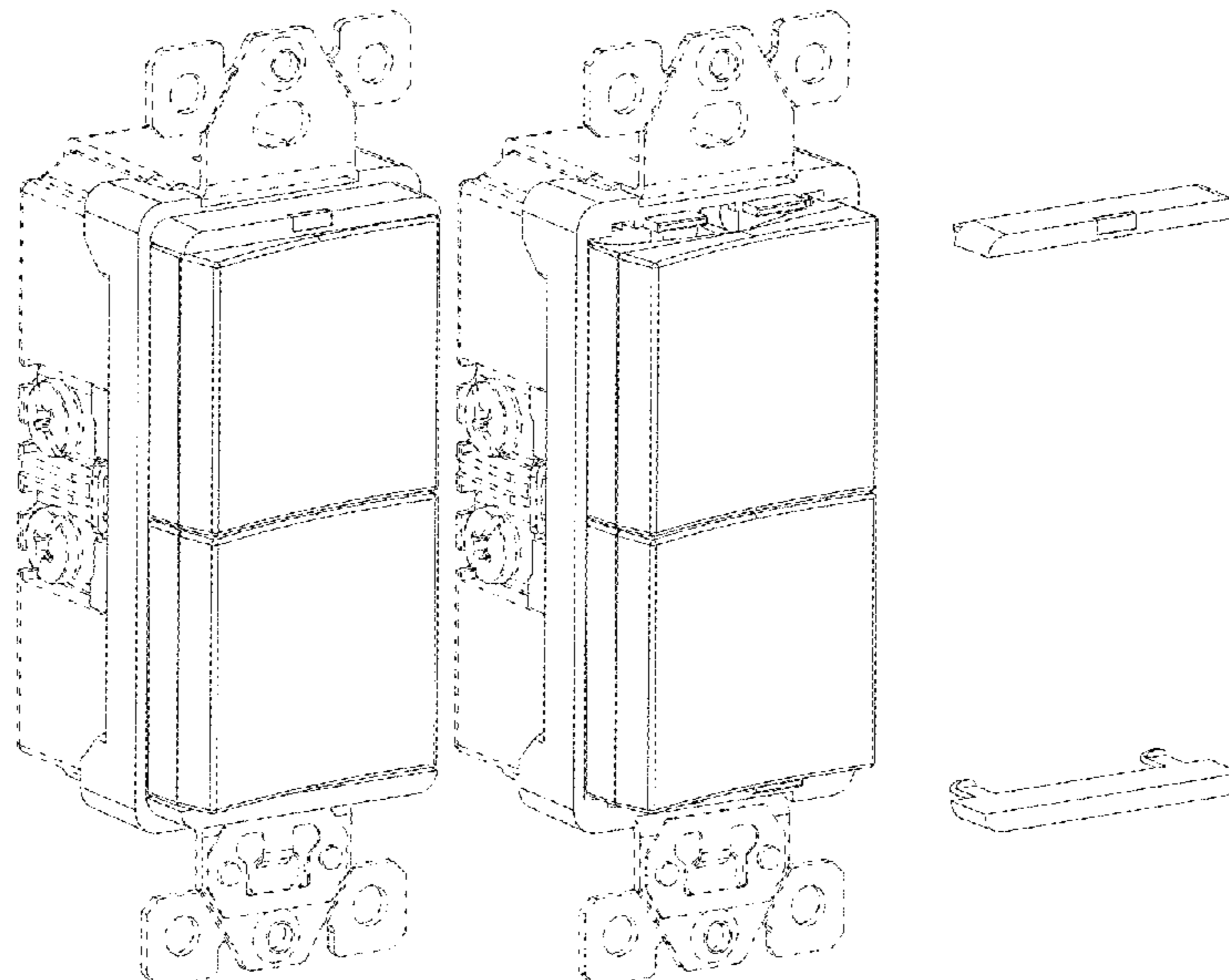
FIG. 10 is a right side view of the embodiment shown in FIG. 8.

FIG. 11 is a top view of the embodiment shown in FIG. 8; and,

FIG. 12 is a bottom view of the embodiment shown in FIG. 8.

The environmental structure shown with broken lines in the drawings forms no part of the claimed design.

**1 Claim, 12 Drawing Sheets**



(56)

**References Cited**

U.S. PATENT DOCUMENTS

2004/0130456 A1\* 7/2004 Wu ..... H01H 3/12  
340/9.1  
2017/0188437 A1\* 6/2017 Banta ..... G10L 15/22  
2018/0218855 A1\* 8/2018 Lange ..... H01H 13/14  
2020/0035089 A1\* 1/2020 Liu ..... H01H 21/24  
2020/0037459 A1\* 1/2020 Liu ..... H02N 2/18

\* cited by examiner

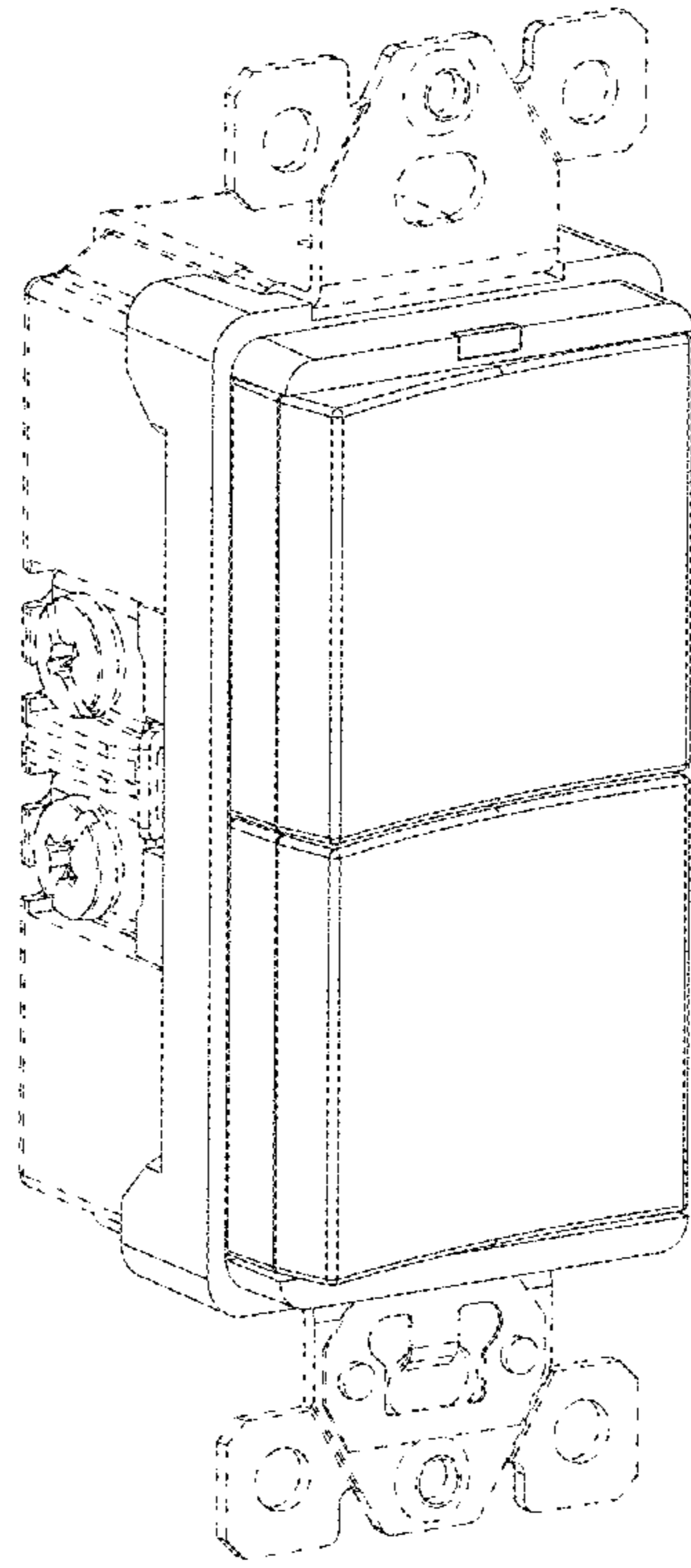


FIG.1

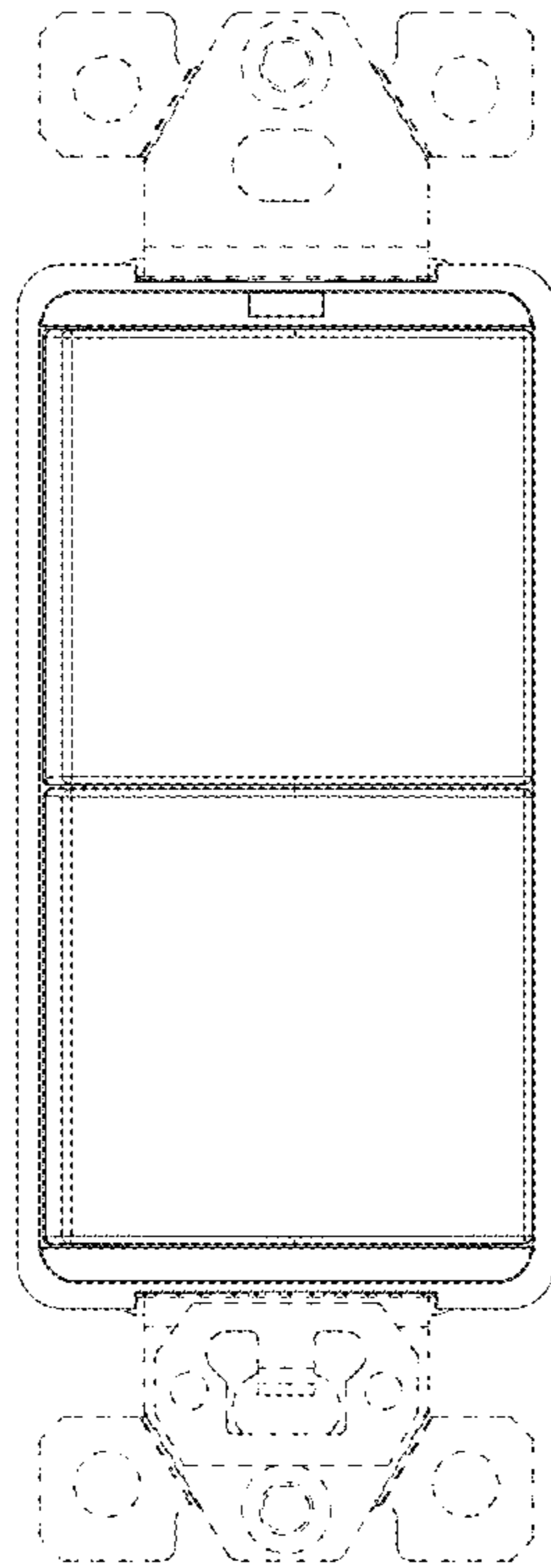


FIG.2

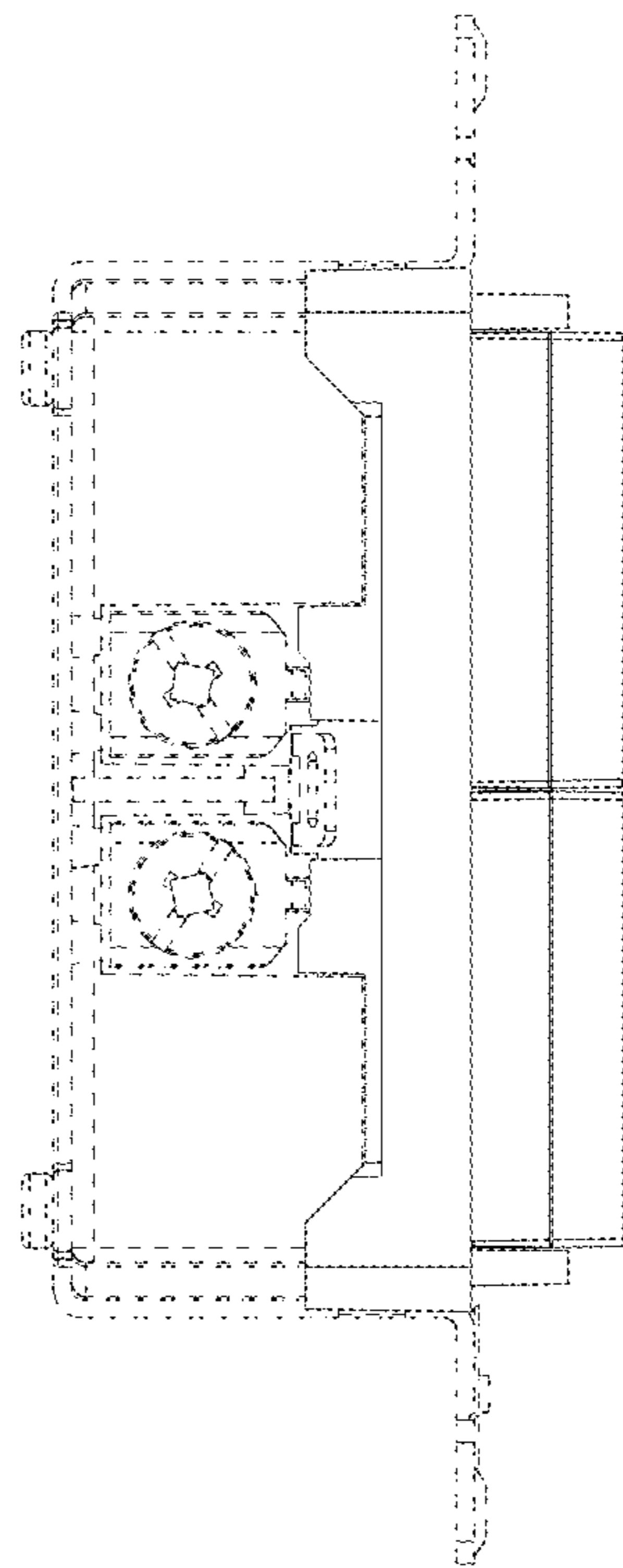


FIG.3

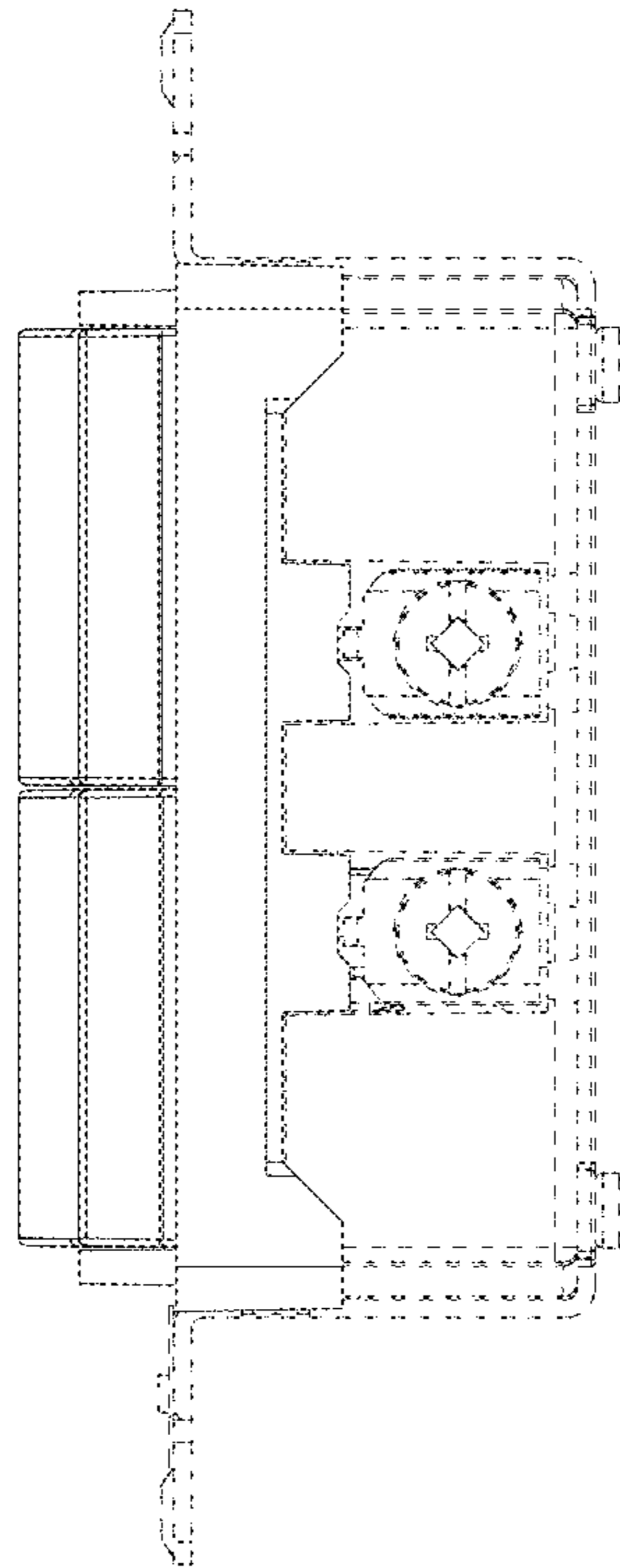
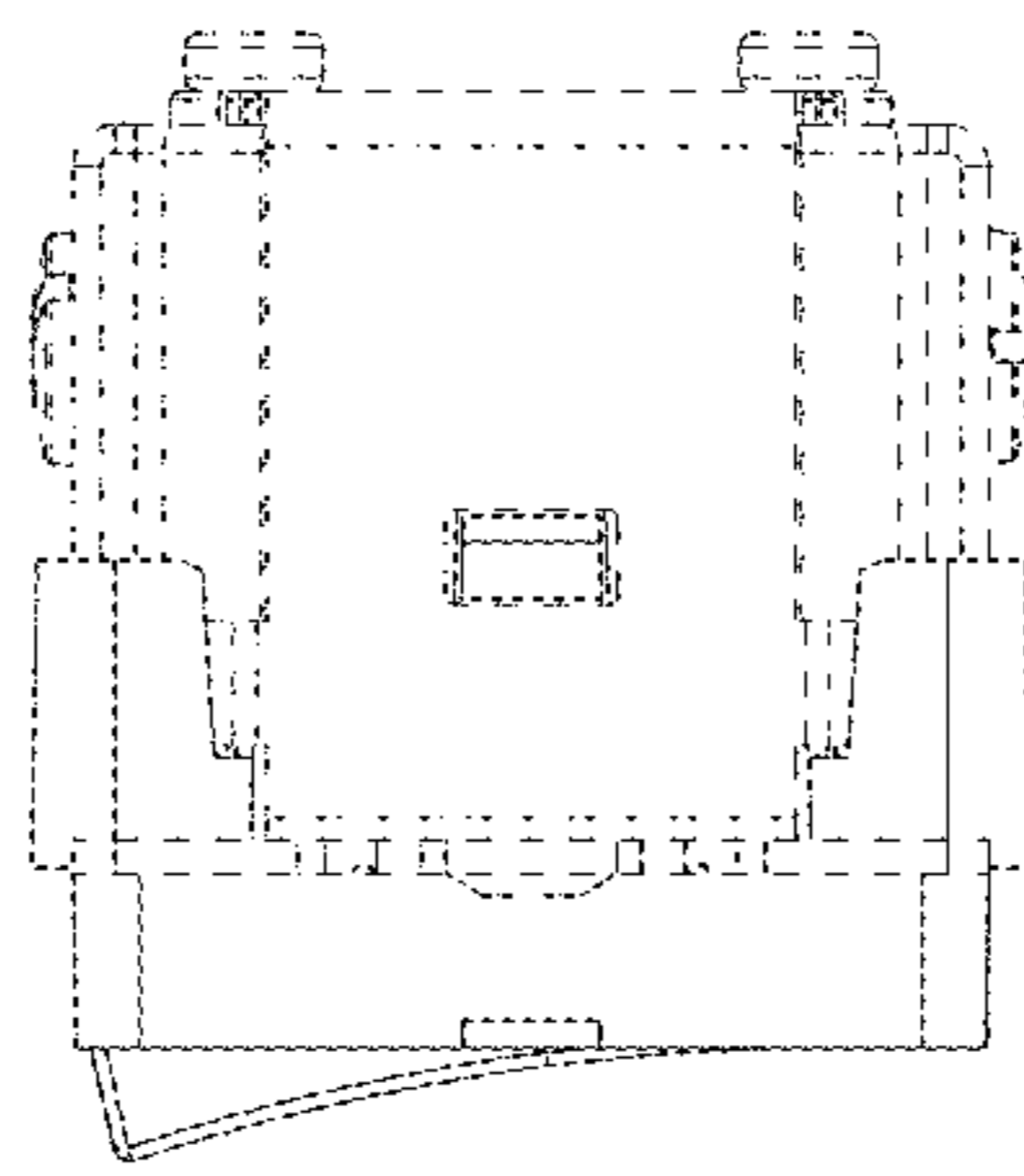
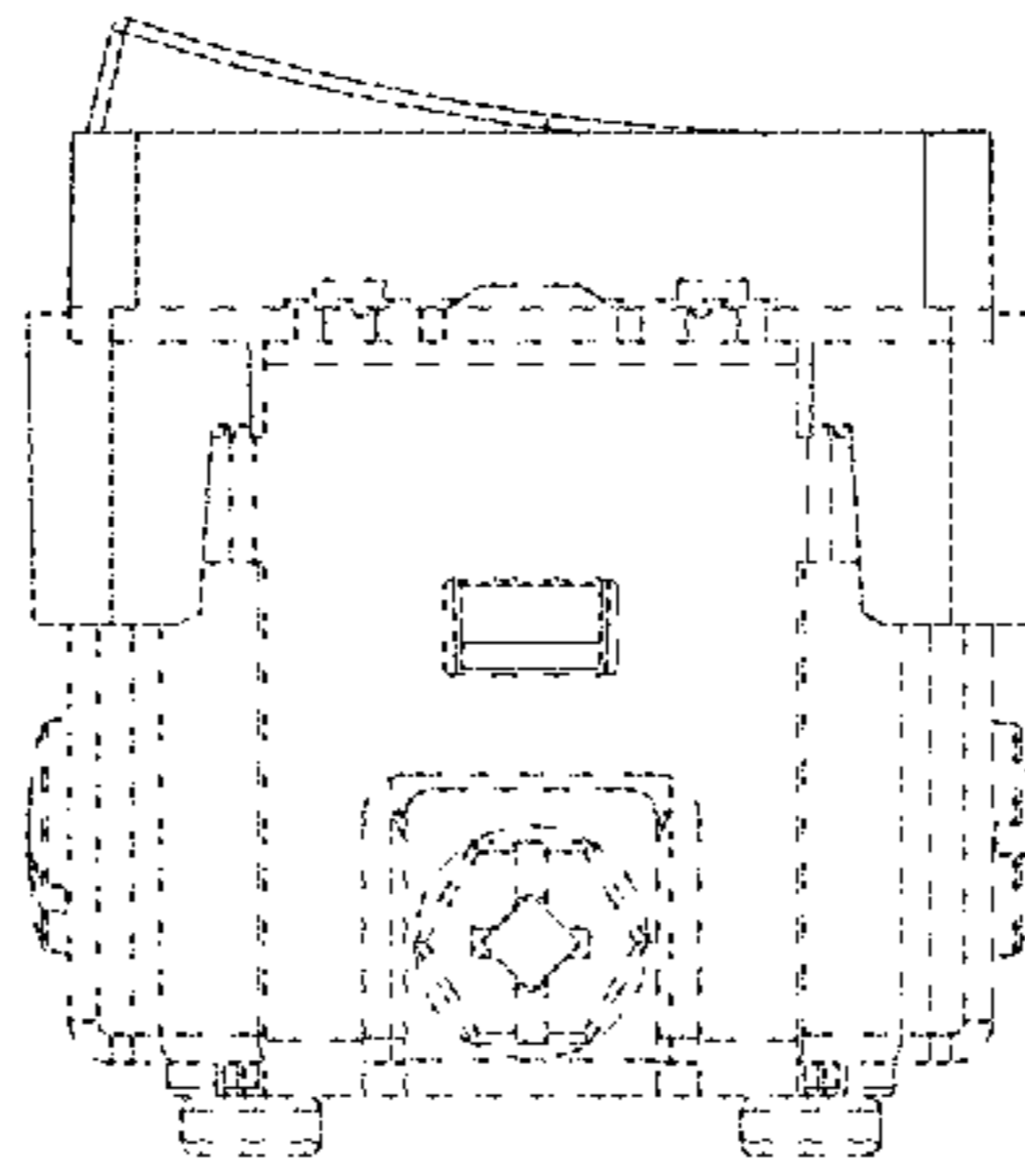


FIG.4



**FIG.5**



**FIG.6**



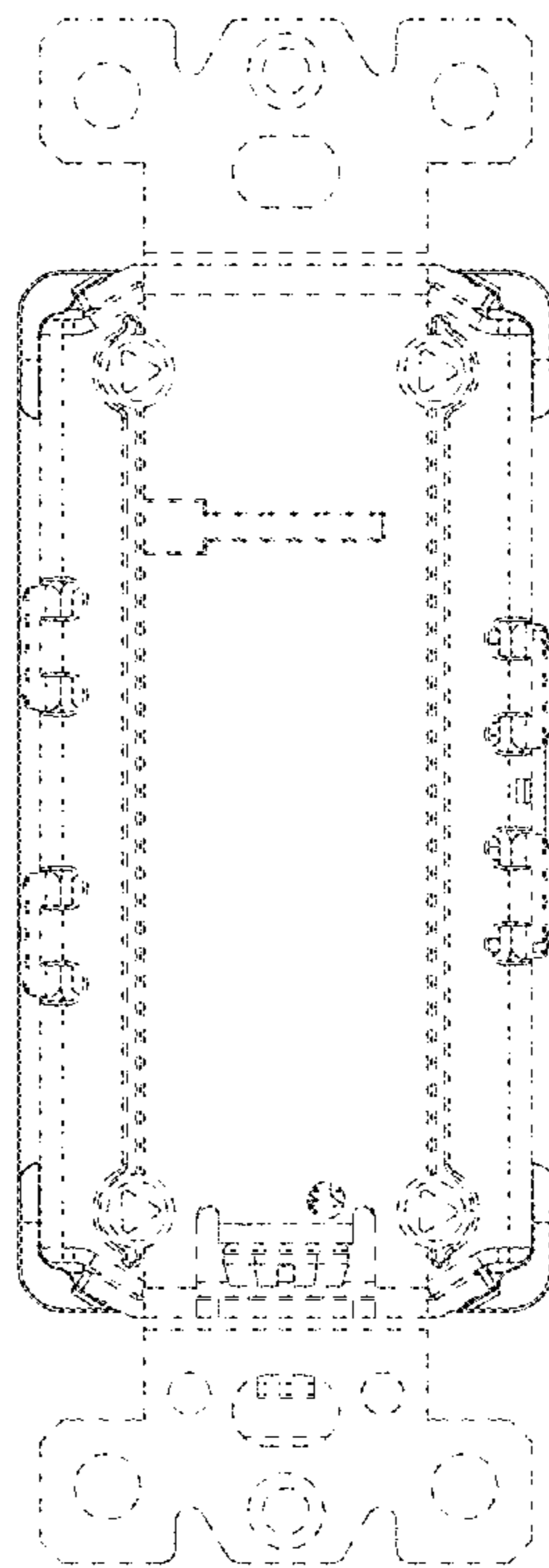


FIG.7

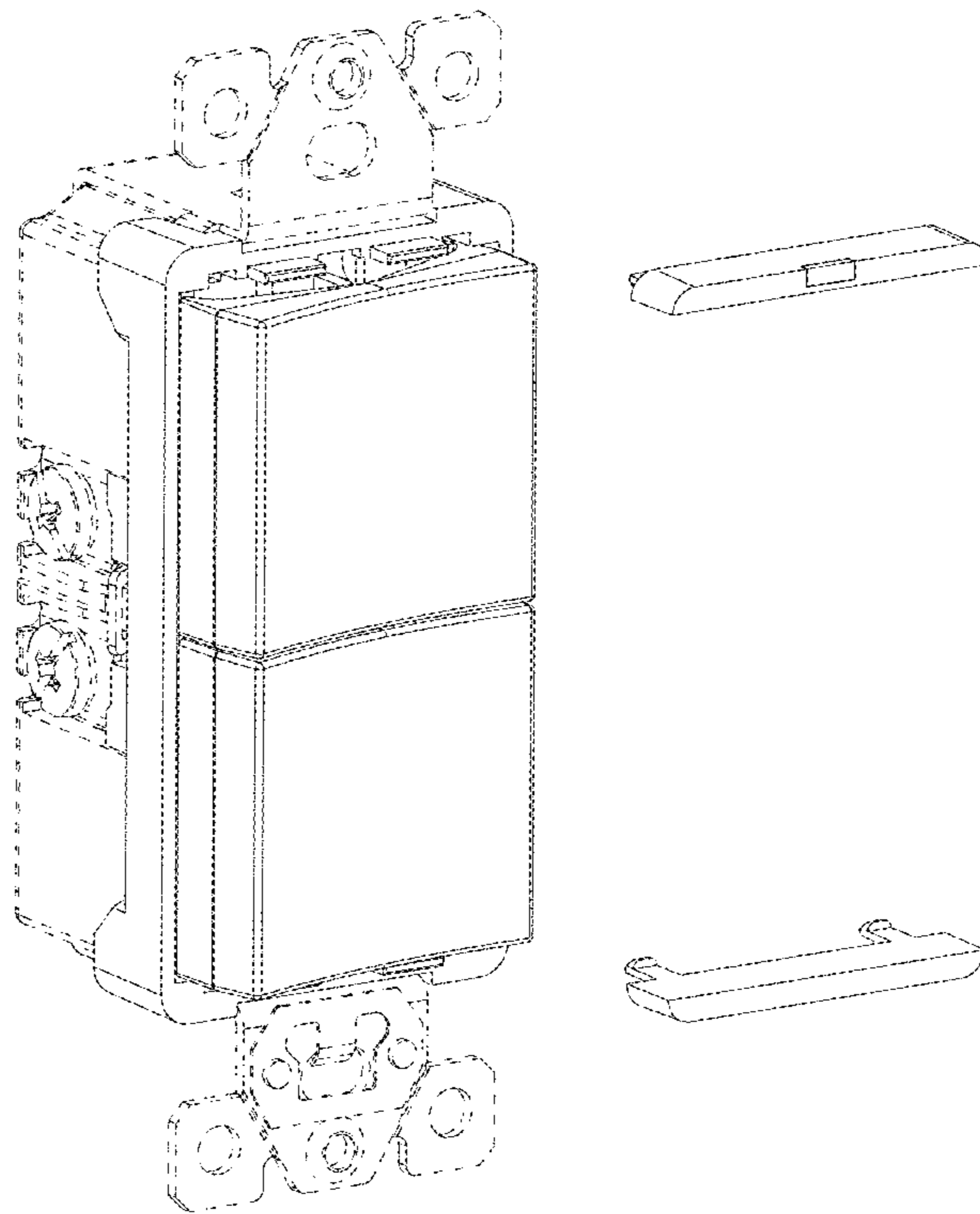


FIG.8

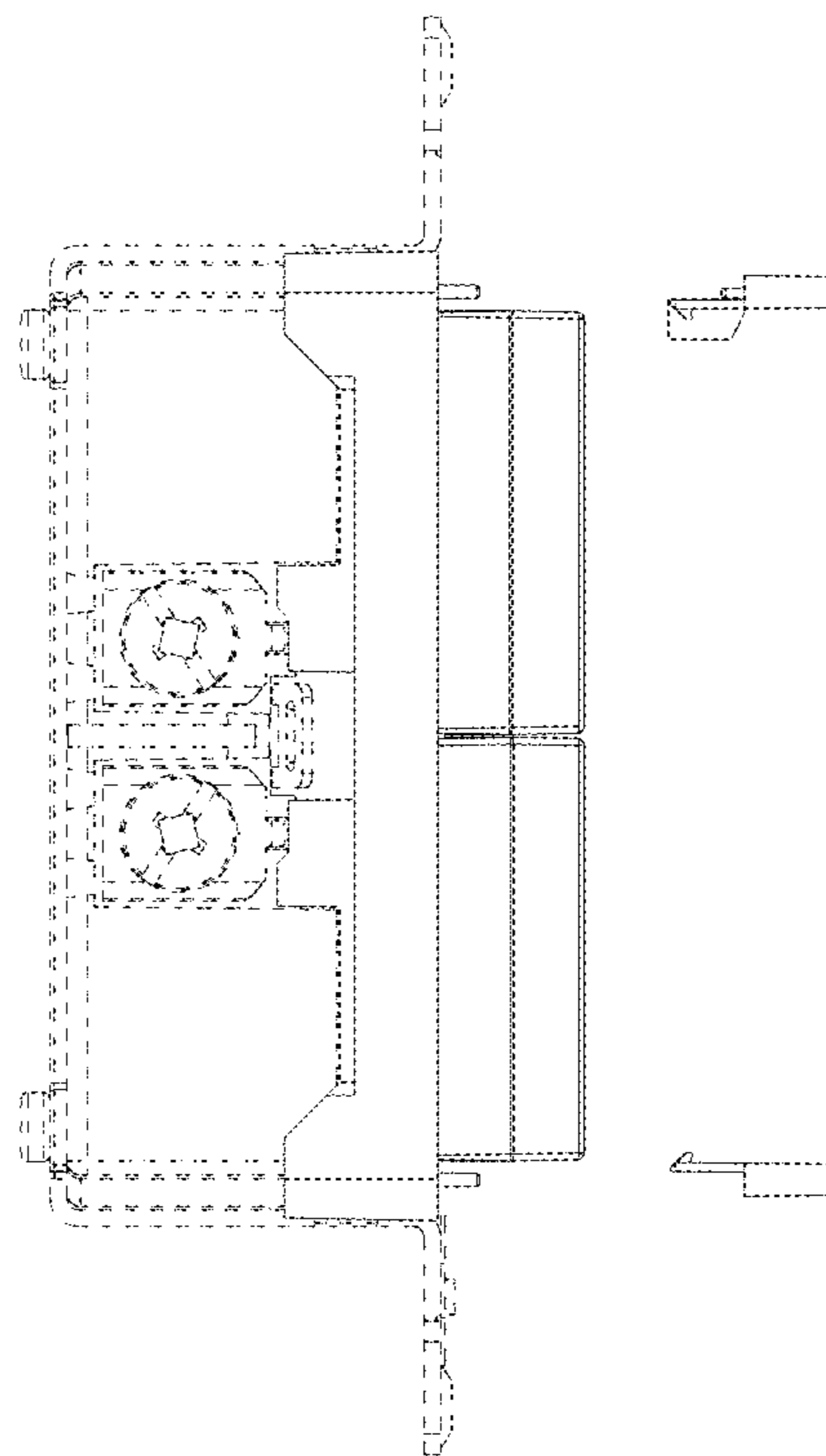


FIG.9

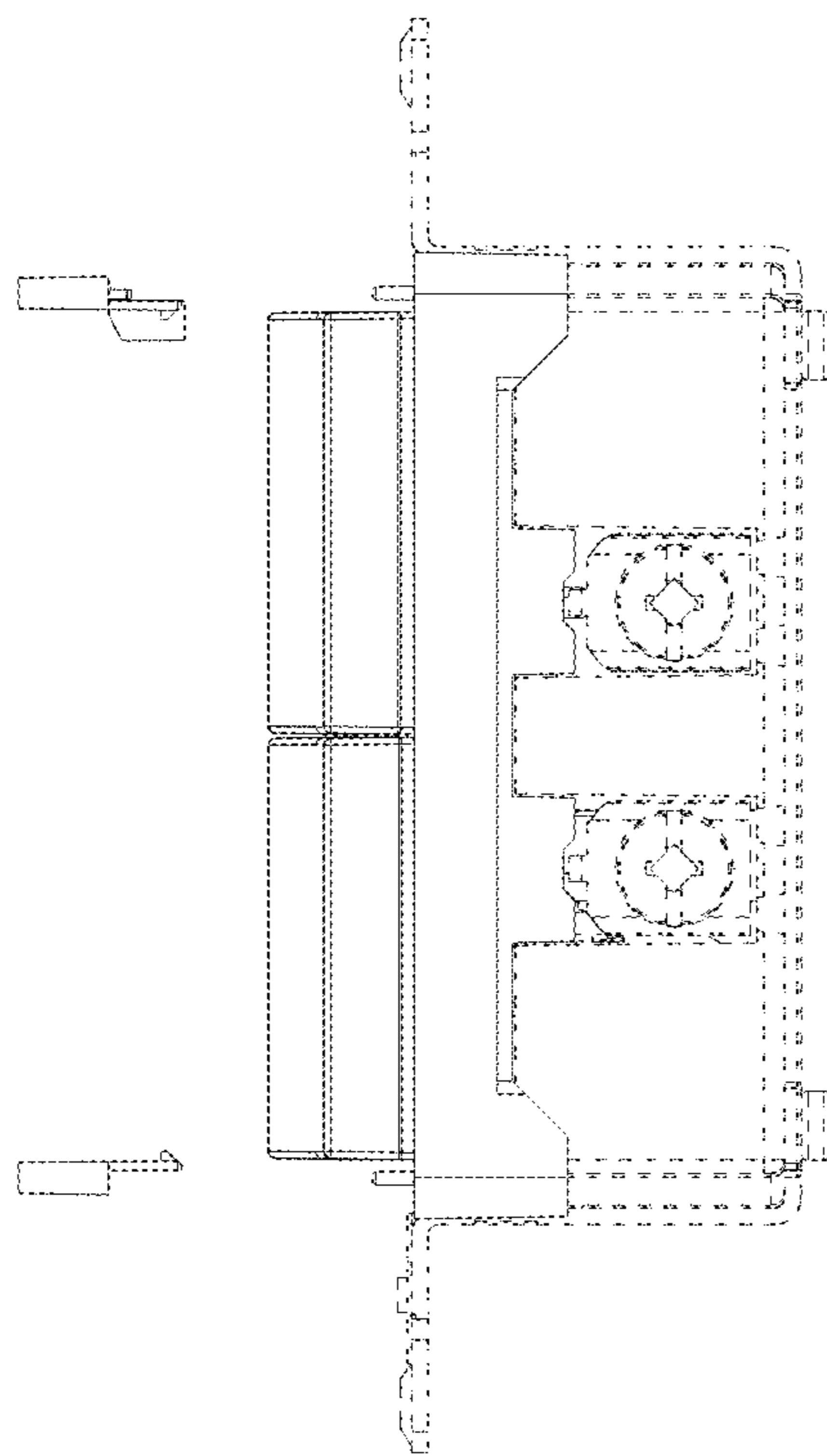


FIG.10

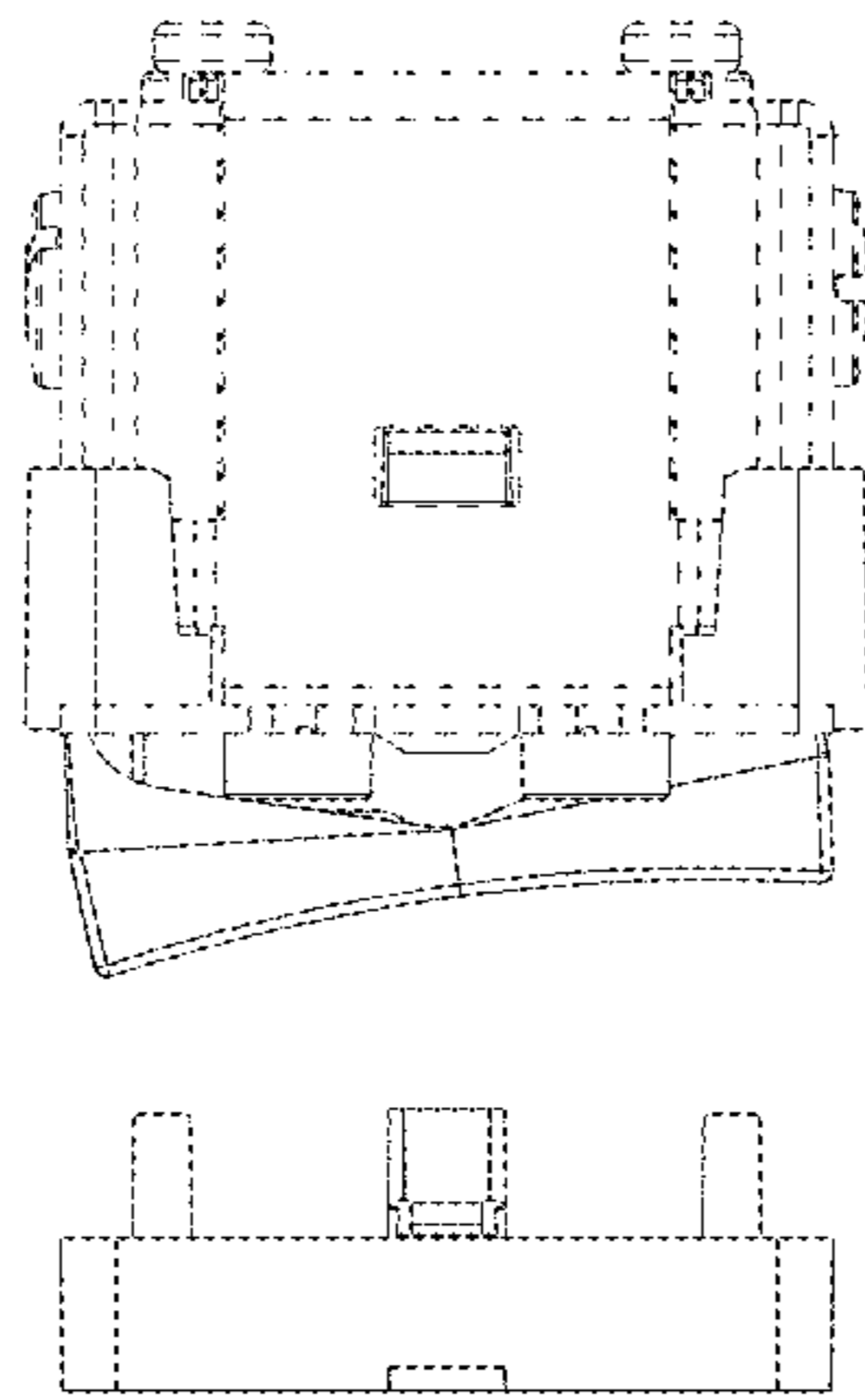
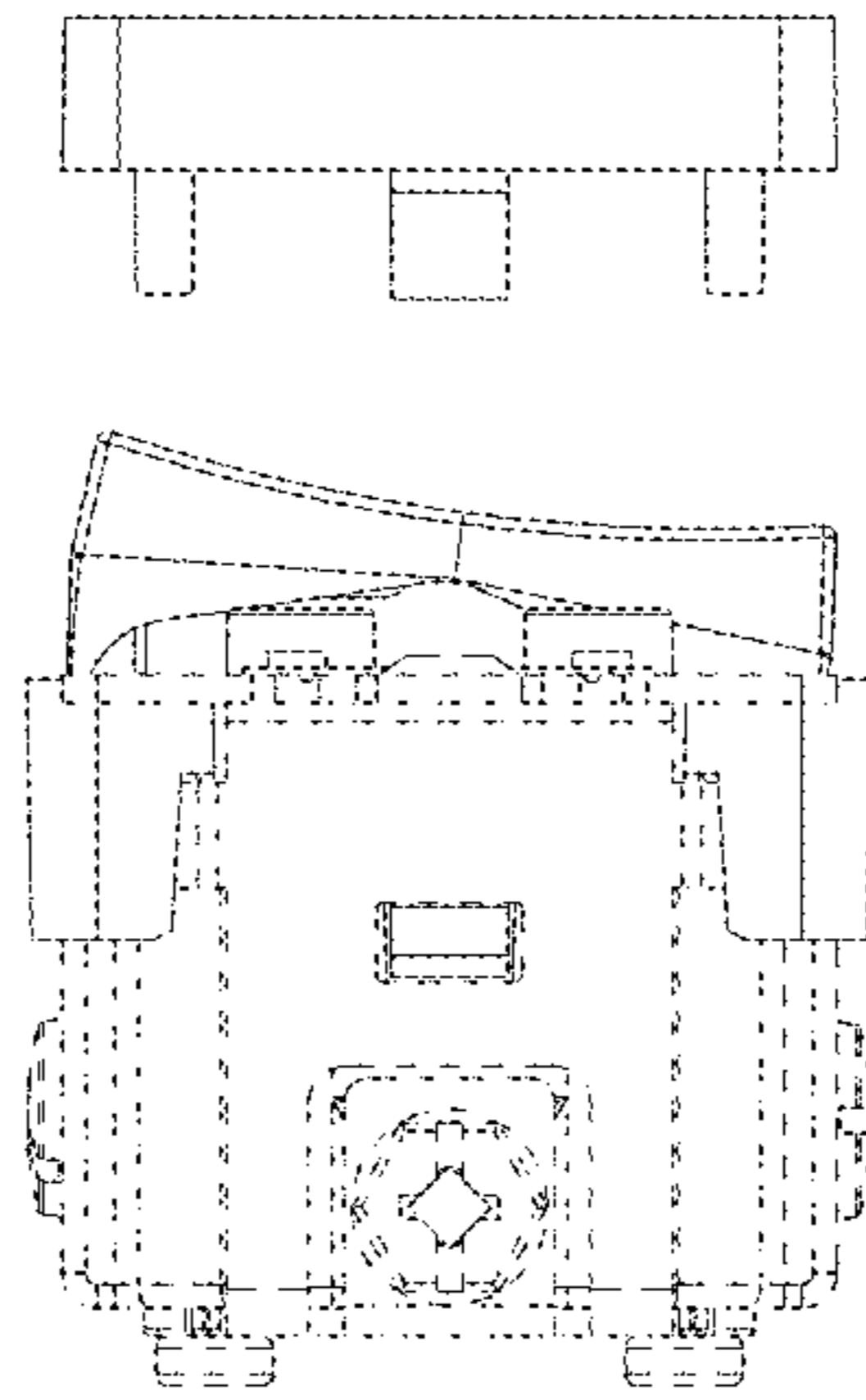


FIG.11



**FIG.12**