



US00D928726S

(12) **United States Design Patent**
Asher et al.

(10) **Patent No.:** **US D928,726 S**
(45) **Date of Patent:** **** Aug. 24, 2021**

(54) **ENERGY MODULE MONOPOLAR PORT**

FOREIGN PATENT DOCUMENTS

(71) Applicant: **Cilag GmbH International**, Zug (CH)

EP 0408160 A1 1/1991
EP 0473987 A1 3/1992

(72) Inventors: **Ryan M. Asher**, Cincinnati, OH (US);
Matthew C. Miller, Cincinnati, OH (US);
Brendan J. Oberkircher, Cincinnati, OH (US)

(Continued)

(73) Assignee: **Cilag GmbH International**, Zug (CH)

(**) Term: **15 Years**

(21) Appl. No.: **29/704,614**

(22) Filed: **Sep. 5, 2019**

(51) **LOC (13) Cl.** **13-03**

(52) **U.S. Cl.**
USPC **D13/162**

(58) **Field of Classification Search**
USPC D13/162, 164, 184, 199, 110, 112;
D14/371, 381, 382, 388, 389; D24/170
CPC A61B 2017/00199; A61B 18/10; A61B
18/1206; A61B 2018/1253; A61B
2018/128
See application file for complete search history.

(56) **References Cited**

U.S. PATENT DOCUMENTS

4,171,700 A	10/1979	Farin	
4,849,752 A	7/1989	Bryant	
D303,787 S	10/1989	Messenger et al.	
D327,061 S *	6/1992	Soren	A61B 18/14 D13/164
5,189,277 A	2/1993	Boisvert et al.	
5,204,669 A	4/1993	Dorfe et al.	
5,318,563 A	6/1994	Malls et al.	
D379,346 S	5/1997	Mieki	
5,693,042 A	12/1997	Boiarski et al.	
5,724,468 A	3/1998	Leone et al.	

(Continued)

OTHER PUBLICATIONS

Sorrells, P., "Application Note AN680. Passive RFID Basics,"
retrieved from <http://ww1.microchip.com/downloads/en/AppNotes/00680b.pdf> on Feb. 26, 2020, Dec. 31, 1998, pp. 1-7.

Primary Examiner — Vy N Koenig
Assistant Examiner — Seth David Kumpf

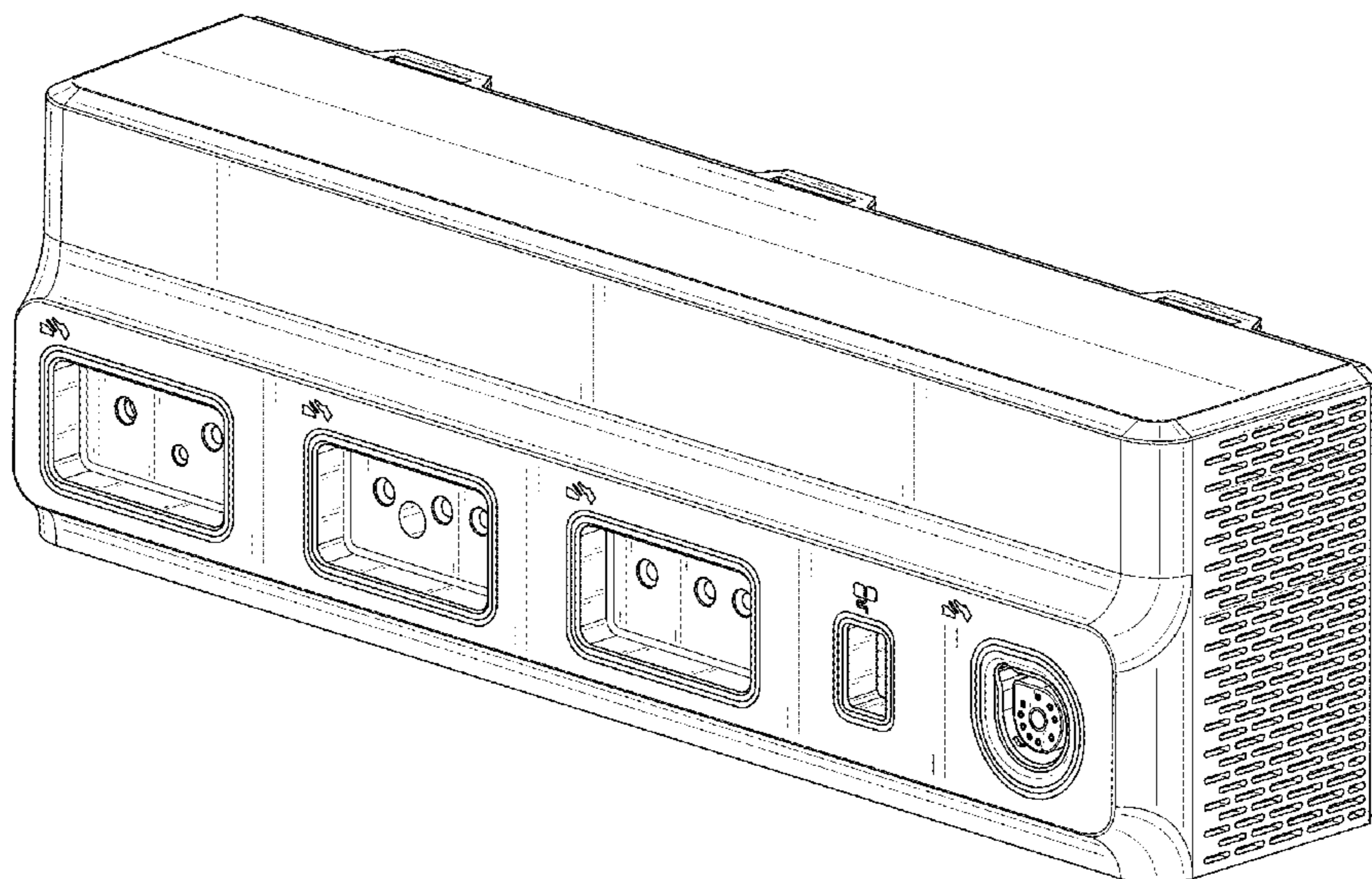
(57) **CLAIM**

The ornamental design for an energy module monopolar port, as shown and described.

DESCRIPTION

FIG. 1 is a perspective view of receptacles for an energy module that includes a monopolar port with a fourth socket among three other sockets.
FIG. 2 is a front elevation view of the receptacles for the energy module of FIG. 1.
FIG. 3 is a rear elevation view of the receptacles for the energy module of FIG. 1.
FIG. 4 is a left elevation view of the receptacles for the energy module of FIG. 1.
FIG. 5 is a right elevation view of the receptacles for the energy module of FIG. 1.
FIG. 6 is a top plan view of the receptacles for the energy module of FIG. 1; and,
FIG. 7 is a bottom plan view of the receptacles for the energy module of FIG. 1.
The wire frame lines shown throughout the views are intended to indicate surface contour.
The broken lines in the drawings are for the purpose of illustrating portions of the energy module monopolar port that form no part of the claimed design.

1 Claim, 6 Drawing Sheets



(56)

References Cited

U.S. PATENT DOCUMENTS

6,269,411 B1	7/2001	Reasoner			
6,584,358 B2	6/2003	Carter et al.			
6,611,793 B1	8/2003	Burnside et al.			
6,731,514 B2	5/2004	Evans			
6,913,471 B2	7/2005	Smith			
7,009,511 B2	3/2006	Mazar et al.			
7,044,949 B2	5/2006	Orszulak et al.			
7,217,269 B2	5/2007	El-Galley et al.			
7,252,664 B2	8/2007	Nasab et al.			
7,344,532 B2	3/2008	Goble et al.			
7,353,068 B2	4/2008	Tanaka et al.			
7,408,439 B2	8/2008	Wang et al.			
D579,876 S	11/2008	Novotney et al.			
D583,328 S	12/2008	Chiang			
7,496,418 B2	2/2009	Kim et al.			
D589,447 S	3/2009	Sasada et al.			
7,518,502 B2	4/2009	Austin et al.			
7,563,259 B2	7/2009	Takahashi			
7,637,907 B2	12/2009	Blaha			
7,757,028 B2	7/2010	Druke et al.			
D631,252 S	1/2011	Leslie			
7,932,826 B2	4/2011	Fritchie et al.			
7,945,065 B2	5/2011	Menzl et al.			
7,945,342 B2	5/2011	Tsai et al.			
7,982,776 B2	7/2011	Dunki-Jacobs et al.			
7,995,045 B2	8/2011	Dunki-Jacobs			
8,019,094 B2	9/2011	Hsieh et al.			
D655,678 S	3/2012	Kobayashi et al.			
D657,368 S	4/2012	Magee et al.			
8,239,066 B2	8/2012	Jennings et al.			
D675,164 S	1/2013	Kobayashi et al.			
D676,392 S	2/2013	Gassauer			
D678,196 S *	3/2013	Miyauchi	D13/123		
8,423,182 B2	4/2013	Robinson et al.			
D687,146 S	7/2013	Juzkiw et al.			
8,540,709 B2	9/2013	Allen			
D704,839 S *	5/2014	Juzkiw	D24/170		
8,795,001 B1	8/2014	Lam et al.			
8,819,581 B2	8/2014	Nakamura et al.			
8,917,513 B1	12/2014	Hazzard			
8,920,186 B2	12/2014	Shishikura			
8,968,296 B2	3/2015	McPherson			
8,986,288 B2	3/2015	Konishi			
9,160,853 B1	10/2015	Daddi et al.			
9,168,054 B2	10/2015	Turner et al.			
9,168,091 B2	10/2015	Janssen et al.			
9,198,711 B2	12/2015	Joseph			
9,226,766 B2	1/2016	Aldridge et al.			
9,226,791 B2	1/2016	McCarthy et al.			
9,237,921 B2	1/2016	Messerly et al.			
9,265,429 B2	2/2016	St. Pierre et al.			
9,277,961 B2	3/2016	Panescu et al.			
9,277,969 B2	3/2016	Brannan et al.			
9,345,481 B2	5/2016	Hall et al.			
9,345,900 B2	5/2016	Wu et al.			
9,463,646 B2	10/2016	Payne et al.			
9,474,565 B2	10/2016	Shikhman et al.			
D772,252 S	11/2016	Myers et al.			
9,486,271 B2	11/2016	Dunning			
9,600,031 B2	3/2017	Kaneko et al.			
9,603,277 B2	3/2017	Morgan et al.			
D783,675 S	4/2017	Yagisawa et al.			
D784,270 S	4/2017	Bhattacharya			
9,713,503 B2	7/2017	Goldschmidt			
9,750,563 B2	9/2017	Shikhman et al.			
9,782,214 B2	10/2017	Houser et al.			
9,867,670 B2	1/2018	Brannan et al.			
9,907,196 B2	2/2018	Susini et al.			
9,974,595 B2	5/2018	Anderson et al.			
9,987,068 B2	6/2018	Anderson et al.			
9,987,072 B2	6/2018	McPherson			
10,028,402 B1	7/2018	Walker			
10,039,589 B2	8/2018	Virshek et al.			
10,098,527 B2	10/2018	Weisenburgh, II et al.			
10,105,470 B2	10/2018	Reasoner et al.			
		D834,541 S		11/2018	You et al.
		10,117,702 B2		11/2018	Danziger et al.
		10,136,954 B2		11/2018	Johnson et al.
		10,147,148 B2		12/2018	Wu et al.
		10,166,061 B2		1/2019	Berry et al.
		10,201,365 B2		2/2019	Boudreaux et al.
		10,339,496 B2		7/2019	Matson et al.
		10,357,184 B2		7/2019	Crawford et al.
		10,386,990 B2		8/2019	Shikhman et al.
		10,499,847 B2		12/2019	Latimer et al.
		10,531,579 B2		1/2020	Hsiao et al.
		10,561,753 B2		2/2020	Thompson et al.
		10,602,007 B2		3/2020	Takano
		10,624,667 B2		4/2020	Faller et al.
		10,624,691 B2		4/2020	Wiener et al.
		10,675,100 B2		6/2020	Frushour
		10,687,884 B2		6/2020	Wiener et al.
		10,743,872 B2		8/2020	Leimbach et al.
		10,772,673 B2		9/2020	Allen, IV et al.
		10,881,399 B2		1/2021	Shelton, IV et al.
		10,898,256 B2		1/2021	Yates et al.
		10,932,772 B2		3/2021	Shelton, IV et al.
		10,950,982 B2		3/2021	Regnier et al.
		2005/0165390 A1		7/2005	Mauti et al.
		2005/0251233 A1		11/2005	Kanzius
		2006/0136622 A1		6/2006	Rouvelin et al.
		2007/0282321 A1		12/2007	Shah et al.
		2009/0234352 A1		9/2009	Behnke et al.
		2010/0069939 A1		3/2010	Konishi
		2010/0120266 A1		5/2010	Rimborg
		2010/0198200 A1		8/2010	Horvath
		2011/0125149 A1		5/2011	El-Galley et al.
		2011/0273465 A1		11/2011	Konishi et al.
		2011/0306840 A1		12/2011	Allen et al.
		2012/0095457 A1 *		4/2012	Morgan A61B 18/16 606/34
		2014/0009894 A1		1/2014	Yu
		2014/0226572 A1		8/2014	Thota et al.
		2014/0263552 A1		9/2014	Hall et al.
		2016/0287312 A1		10/2016	Tegg et al.
		2017/0202595 A1		7/2017	Shelton, IV
		2017/0296213 A1		10/2017	Swensgard et al.
		2018/0042659 A1		2/2018	Rupp et al.
		2018/0065248 A1		3/2018	Barral et al.
		2018/0221005 A1		8/2018	Hamel et al.
		2018/0333207 A1		11/2018	Moctezuma De la Barrera
		2019/0000478 A1		1/2019	Messerly et al.
		2019/0278262 A1		9/2019	Taylor et al.
		2020/0038120 A1		2/2020	Ziraknejad et al.
		2020/0078070 A1		3/2020	Henderson et al.
		2020/0078071 A1		3/2020	Asher
		2020/0078076 A1		3/2020	Henderson et al.
		2020/0078077 A1		3/2020	Henderson et al.
		2020/0078078 A1		3/2020	Henderson et al.
		2020/0078079 A1 *		3/2020	Morgan A61B 18/14
		2020/0078080 A1		3/2020	Henderson et al.
		2020/0078081 A1		3/2020	Jayme et al.
		2020/0078082 A1		3/2020	Henderson et al.
		2020/0078089 A1		3/2020	Henderson et al.
		2020/0078106 A1		3/2020	Henderson et al.
		2020/0078110 A1		3/2020	Henderson et al.
		2020/0078111 A1		3/2020	Oberkircher et al.
		2020/0078112 A1		3/2020	Henderson et al.
		2020/0078113 A1		3/2020	Sawhney et al.
		2020/0078114 A1		3/2020	Asher et al.
		2020/0078115 A1		3/2020	Asher et al.
		2020/0078116 A1		3/2020	Oberkircher et al.
		2020/0078117 A1		3/2020	Henderson et al.
		2020/0078118 A1		3/2020	Henderson et al.
		2020/0078119 A1		3/2020	Henderson et al.
		2020/0078120 A1		3/2020	Aldridge et al.
		2020/0081585 A1		3/2020	Petre et al.
		2020/0090808 A1		3/2020	Carroll et al.
		2020/0100825 A1		4/2020	Henderson et al.
		2020/0100830 A1		4/2020	Henderson et al.
		2020/0106220 A1		4/2020	Henderson et al.
		2020/0305924 A1		10/2020	Carroll

(56)

References Cited

U.S. PATENT DOCUMENTS

2020/0305945 A1 10/2020 Morgan et al.
2020/0314569 A1 10/2020 Morgan et al.

FOREIGN PATENT DOCUMENTS

EP	0929263	B1	7/1999
EP	2942023	A2	11/2015
GB	6084644	*	9/2019
JP	2001029353	A	2/2001
WO	WO-0112089	A1	2/2001
WO	WO-2008053485	A1	5/2008
WO	WO-2014031800	A1	2/2014
WO	WO-2014071184	A1	5/2014
WO	WO-2017058617		4/2017
WO	WO-2018116247	A1	6/2018

* cited by examiner

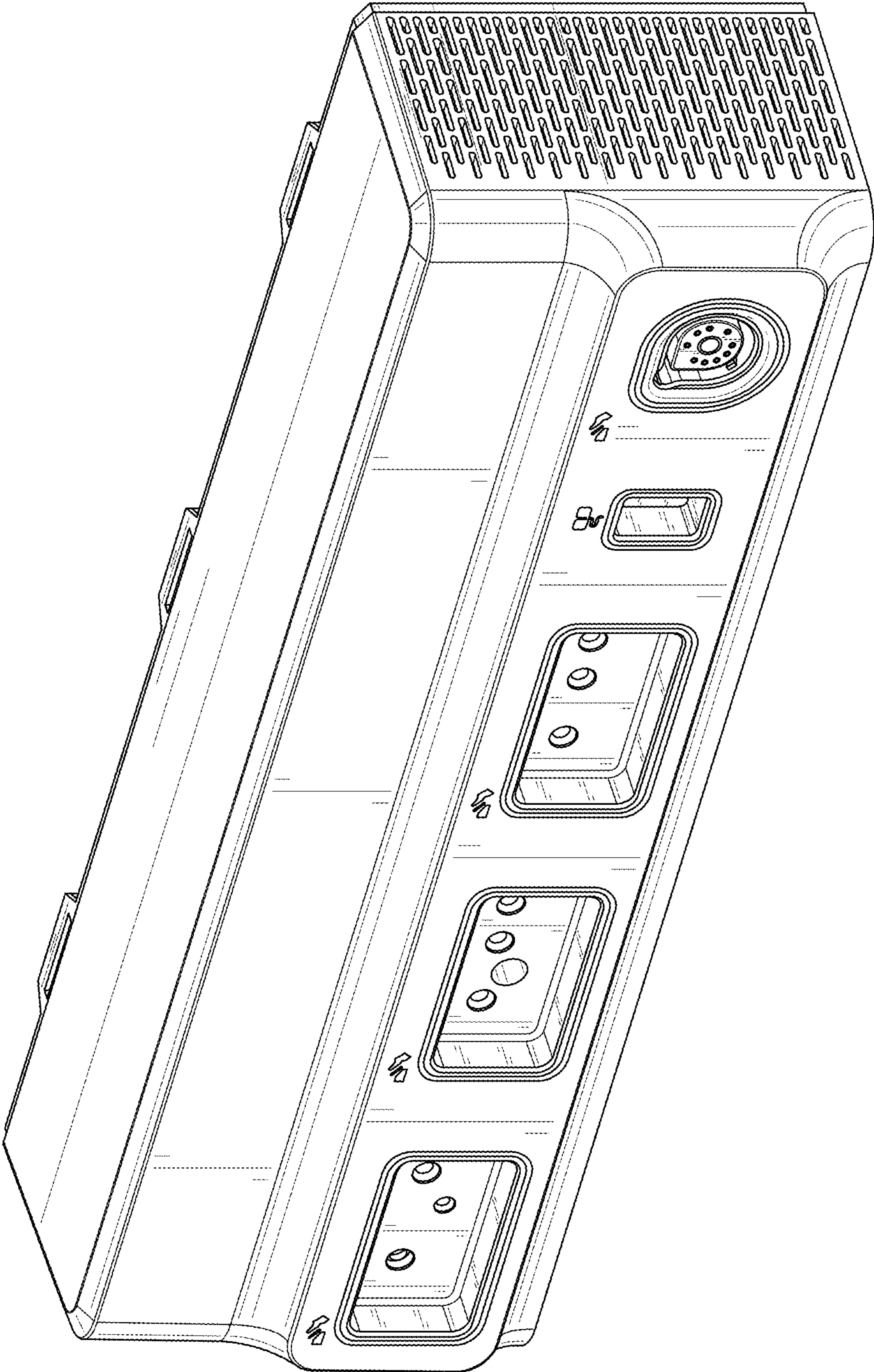


FIG. 1

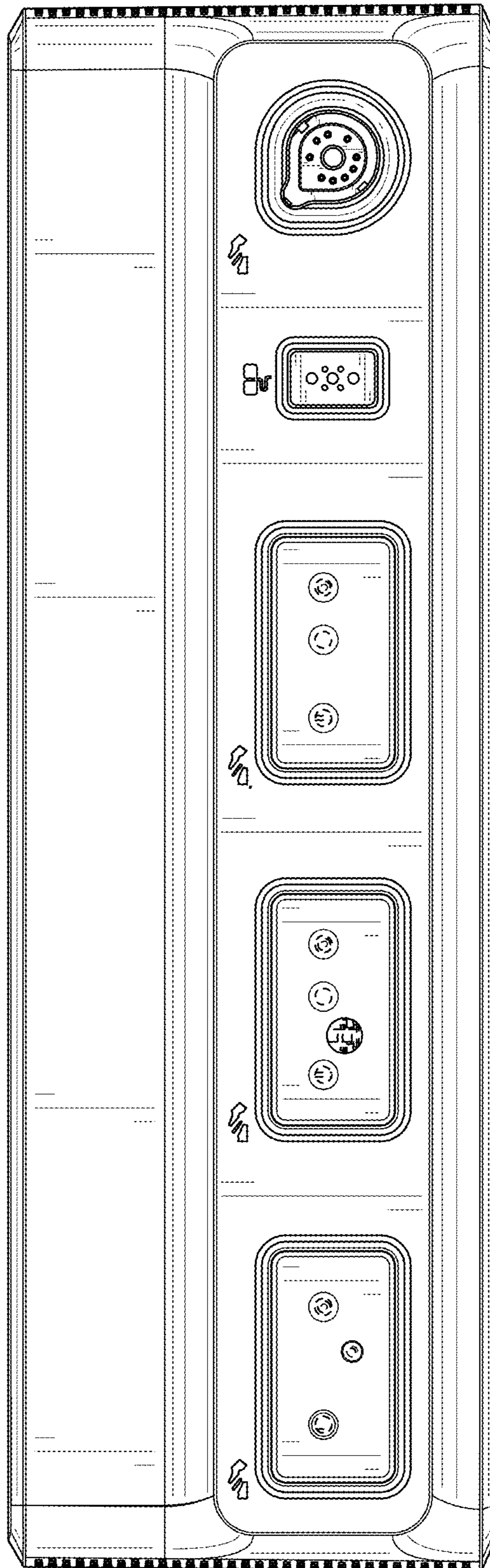


FIG. 2

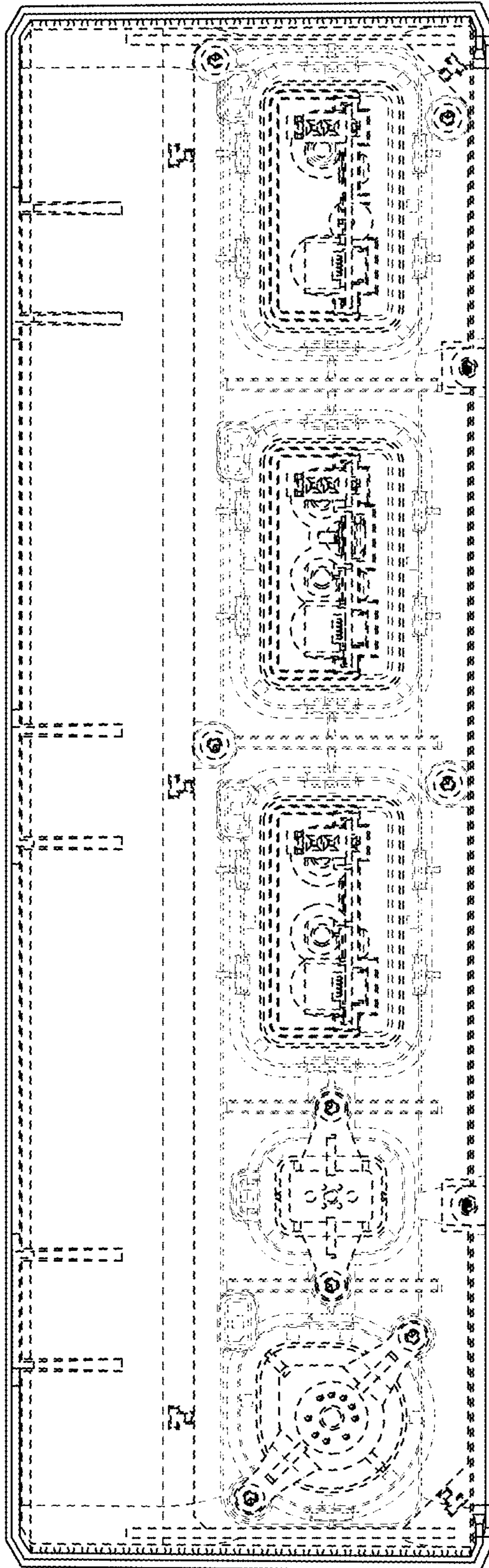


FIG. 3

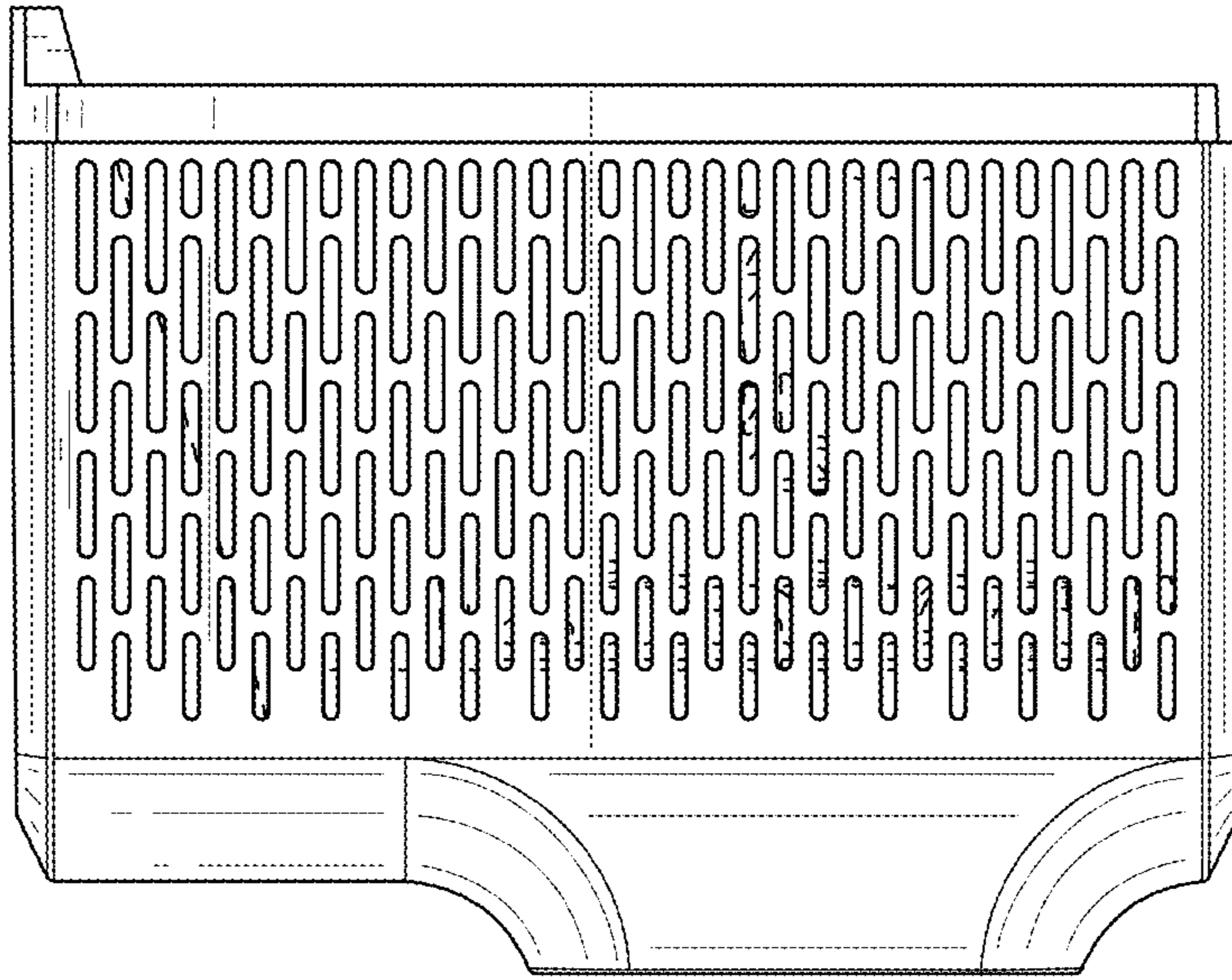


FIG. 5

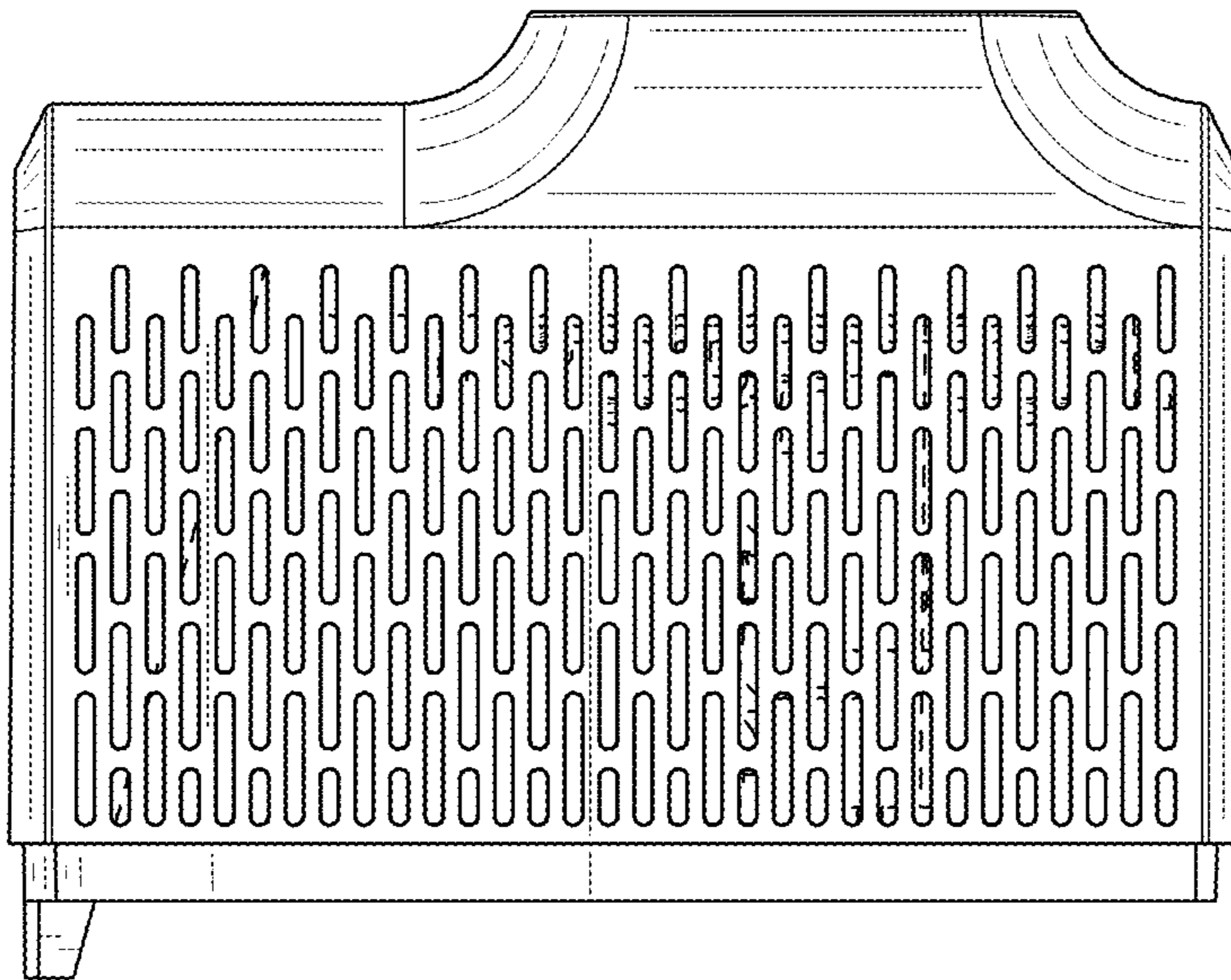


FIG. 4

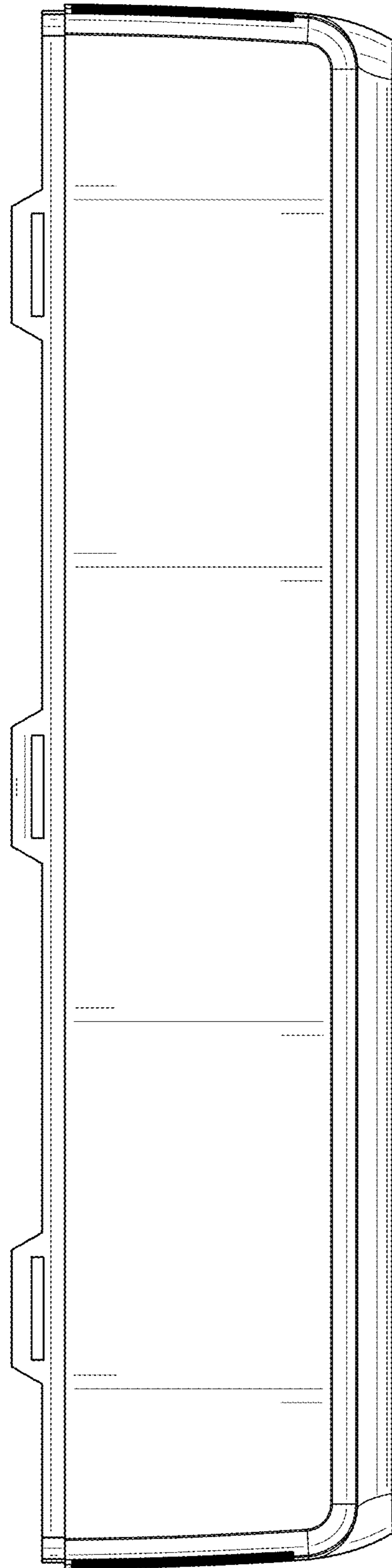


FIG. 6

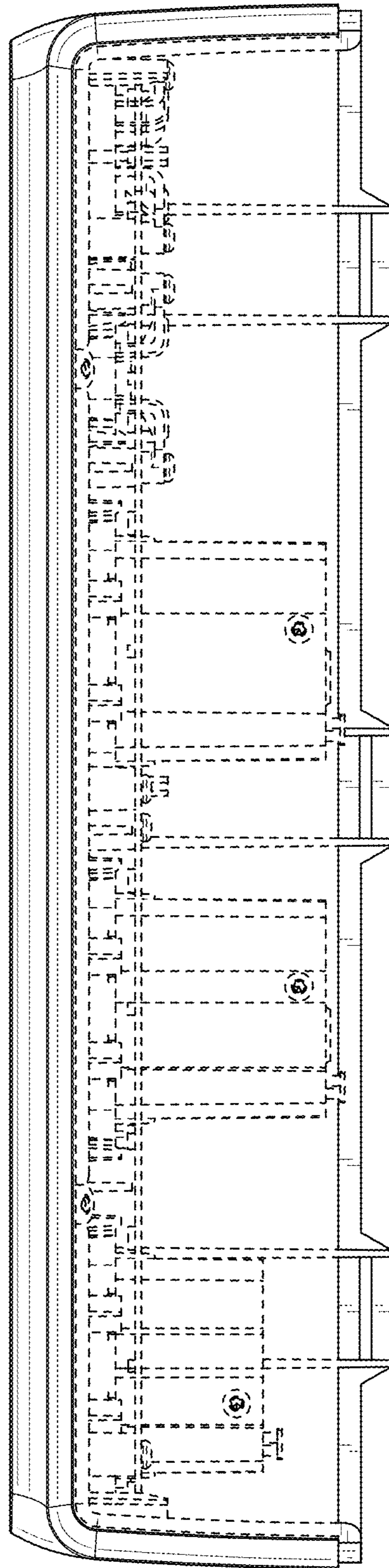


FIG. 7