



US00D928725S

(12) **United States Design Patent** (10) **Patent No.:** **US D928,725 S**  
**Oberkircher et al.** (45) **Date of Patent:** **\*\* Aug. 24, 2021**

(54) **ENERGY MODULE**

(71) Applicant: **Ethicon LLC**, Guaynabo, PR (US)

(72) Inventors: **Brendan J. Oberkircher**, Cincinnati, OH (US); **Cory G. Kimball**, Hamilton, OH (US); **Matthew C. Miller**, Cincinnati, OH (US)

(73) Assignee: **Cilag GmbH International**, Zug (CH)

(\*\*) Term: **15 Years**

(21) Appl. No.: **29/704,610**

(22) Filed: **Sep. 5, 2019**

(51) **LOC (13) Cl.** ..... **13-03**

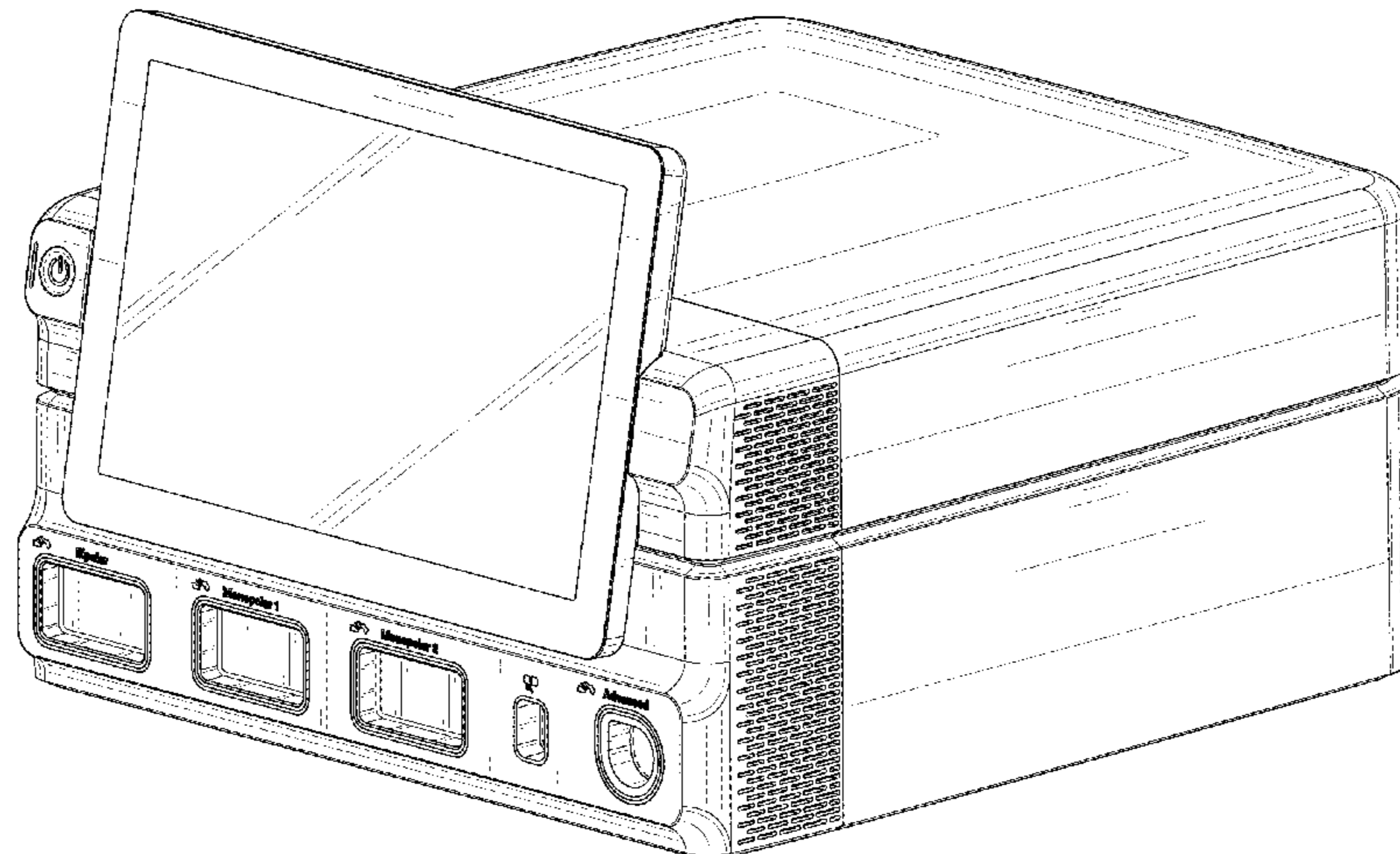
(52) **U.S. Cl.**  
 USPC ..... **D13/162**

(58) **Field of Classification Search**  
 USPC ..... D13/162, 164, 184, 199, 110, 112;  
 D14/371, 381, 382, 388, 389; D24/170  
 CPC ..... A61B 2017/00199; A61B 18/10; A61B  
 18/1206; A61B 2018/1253; A61B  
 2018/128  
 See application file for complete search history.

7,217,269	B2	5/2007	El-Galley et al.
7,252,664	B2	8/2007	Nasab et al.
7,344,532	B2	3/2008	Goble et al.
7,353,068	B2	4/2008	Tanaka et al.
7,408,439	B2	8/2008	Wang et al.
D579,876	S	11/2008	Novotney et al.
D583,328	S	12/2008	Chiang
7,496,418	B2	2/2009	Kim et al.
D589,447	S	3/2009	Sasada et al.
7,518,502	B2	4/2009	Austin et al.
7,563,259	B2	7/2009	Takahashi
7,637,907	B2	12/2009	Blaha
7,757,028	B2	7/2010	Druke et al.
D631,252	S	1/2011	Leslie
7,932,826	B2	4/2011	Fritchie et al.
7,945,065	B2	5/2011	Menzl et al.
7,945,342	B2	5/2011	Tsai et al.
7,982,776	B2	7/2011	Dunki-Jacobs et al.
7,995,045	B2	8/2011	Dunki-Jacobs
8,019,094	B2	9/2011	Hsieh et al.
D655,678	S	3/2012	Kobayashi et al.
D657,368	S	4/2012	Magee et al.
8,239,066	B2	8/2012	Jennings et al.
D675,164	S	1/2013	Kobayashi et al.
D676,392	S	2/2013	Gassauer
D678,196	S	3/2013	Miyauchi et al.
8,423,182	B2	4/2013	Robinson et al.
D687,146	S *	7/2013	Juzkiw ..... D24/170
8,540,709	B2	9/2013	Allen
D704,839	S *	5/2014	Juzkiw ..... D24/170
8,795,001	B1	8/2014	Lam et al.
8,819,581	B2	8/2014	Nakamura et al.
8,917,513	B1	12/2014	Hazzard
8,920,186	B2	12/2014	Shishikura
8,968,296	B2	3/2015	McPherson
8,986,288	B2	3/2015	Konishi
9,160,853	B1	10/2015	Daddi et al.
9,168,054	B2	10/2015	Turner et al.
9,168,091	B2	10/2015	Janssen et al.
9,198,711	B2	12/2015	Joseph
9,226,766	B2	1/2016	Aldridge et al.
9,226,791	B2	1/2016	McCarthy et al.
9,237,921	B2	1/2016	Messerly et al.
9,265,429	B2	2/2016	St. Pierre et al.
9,277,961	B2	3/2016	Panescu et al.
9,277,969	B2	3/2016	Brannan et al.
9,345,481	B2	5/2016	Hall et al.
9,345,900	B2	5/2016	Wu et al.
9,474,565	B2	10/2016	Shikhman et al.
D772,252	S	11/2016	Myers et al.
9,486,271	B2	11/2016	Dunning
9,532,827	B2	1/2017	Morgan et al.
9,603,277	B2	3/2017	Morgan et al.

(56) **References Cited**  
 U.S. PATENT DOCUMENTS

4,171,700	A	10/1979	Farin
4,849,752	A	7/1989	Bryant
D303,787	S	10/1989	Messenger et al.
D327,061	S	6/1992	Soren et al.
5,189,277	A	2/1993	Boisvert et al.
5,204,669	A	4/1993	Dorfe et al.
5,318,563	A	6/1994	Malls et al.
D379,346	S	5/1997	Mieki
5,693,042	A	12/1997	Boiarski et al.
5,724,468	A	3/1998	Leone et al.
6,269,411	B1	7/2001	Reasoner
6,584,358	B2	6/2003	Carter et al.
6,611,793	B1	8/2003	Burnside et al.
6,731,514	B2	5/2004	Evans
6,913,471	B2	7/2005	Smith
7,009,511	B2	3/2006	Mazar et al.
7,044,949	B2	5/2006	Orszulak et al.



D783,675 S 4/2017 Yagisawa et al.  
D784,270 S \* 4/2017 Bhattacharya ..... H04N 1/2376  
D13/162  
9,713,503 B2 7/2017 Goldschmidt  
9,750,563 B2 9/2017 Shikhman et al.  
9,782,214 B2 10/2017 Houser et al.  
9,867,670 B2 1/2018 Brannan et al.  
9,907,196 B2 2/2018 Susini et al.  
9,974,595 B2 5/2018 Anderson et al.  
9,987,068 B2 6/2018 Anderson et al.  
9,987,072 B2 6/2018 McPherson  
10,028,402 B1 7/2018 Walker  
10,039,589 B2 8/2018 Virshek et al.  
10,098,527 B2 10/2018 Weisenburgh, II et al.  
10,105,470 B2 10/2018 Reasoner et al.  
D834,541 S \* 11/2018 You ..... E05B 73/0082  
D13/168  
10,117,702 B2 11/2018 Danziger et al.  
10,136,954 B2 11/2018 Johnson et al.  
10,147,148 B2 12/2018 Wu et al.  
10,166,061 B2 1/2019 Berry et al.  
10,201,365 B2 2/2019 Boudreaux et al.  
10,339,496 B2 7/2019 Matson et al.  
10,357,184 B2 7/2019 Crawford et al.  
10,386,990 B2 8/2019 Shikhman et al.  
10,499,847 B2 12/2019 Latimer et al.  
10,531,579 B2 1/2020 Hsiao et al.  
10,561,753 B2 2/2020 Thompson et al.  
10,624,667 B2 4/2020 Faller et al.  
10,624,691 B2 4/2020 Wiener et al.  
10,675,100 B2 6/2020 Frushour  
10,687,884 B2 6/2020 Wiener et al.  
10,743,872 B2 8/2020 Leimbach et al.  
10,772,673 B2 9/2020 Allen, IV et al.  
10,881,399 B2 1/2021 Shelton, IV et al.  
10,898,256 B2 1/2021 Yates et al.  
10,932,772 B2 3/2021 Shelton, IV et al.  
10,950,982 B2 3/2021 Regnier et al.  
2005/0165390 A1 7/2005 Mauti et al.  
2005/0251233 A1 11/2005 Kanzius  
2006/0136622 A1 6/2006 Rouvelin et al.  
2007/0282321 A1 12/2007 Shah et al.  
2009/0234352 A1 9/2009 Behnke et al.  
2010/0069939 A1 3/2010 Konishi  
2010/0120266 A1 5/2010 Rimborg  
2010/0198200 A1 8/2010 Horvath  
2011/0125149 A1 5/2011 El-Galley et al.  
2011/0273465 A1 11/2011 Konishi et al.  
2011/0306840 A1 12/2011 Allen et al.  
2013/0088451 A1 \* 4/2013 Payne ..... G09G 3/36  
345/173  
2014/0009894 A1 1/2014 Yu  
2014/0226572 A1 8/2014 Thota et al.  
2014/0263552 A1 9/2014 Hall et al.  
2016/0231779 A1 \* 8/2016 Kaneko ..... E05B 73/0082  
2016/0287312 A1 10/2016 Tegg et al.  
2017/0202595 A1 7/2017 Shelton, IV  
2017/0296213 A1 10/2017 Swensgard et al.  
2018/0042659 A1 2/2018 Rupp et al.  
2018/0065248 A1 3/2018 Barral et al.  
2018/0221005 A1 8/2018 Hamel et al.  
2018/0333207 A1 11/2018 Moctezuma De la Barrera  
2019/0000478 A1 1/2019 Messerly et al.  
2019/0028598 A1 \* 1/2019 Takano ..... H04N 1/2376  
2019/0278262 A1 9/2019 Taylor et al.  
2020/0038120 A1 2/2020 Ziraknejad et al.  
2020/0078070 A1 3/2020 Henderson et al.  
2020/0078071 A1 3/2020 Asher  
2020/0078076 A1 3/2020 Henderson et al.  
2020/0078077 A1 3/2020 Henderson et al.  
2020/0078078 A1 3/2020 Henderson et al.  
2020/0078079 A1 \* 3/2020 Morgan ..... A61B 18/14  
2020/0078080 A1 3/2020 Henderson et al.  
2020/0078081 A1 3/2020 Jayme et al.  
2020/0078082 A1 3/2020 Henderson et al.  
2020/0078089 A1 3/2020 Henderson et al.  
2020/0078106 A1 3/2020 Henderson et al.  
2020/0078110 A1 3/2020 Henderson et al.  
2020/0078111 A1 3/2020 Oberkircher et al.

2020/0078112 A1 3/2020 Henderson et al.  
2020/0078113 A1 3/2020 Sawhney et al.  
2020/0078114 A1 3/2020 Asher et al.  
2020/0078115 A1 3/2020 Asher et al.  
2020/0078116 A1 3/2020 Oberkircher et al.  
2020/0078117 A1 3/2020 Henderson et al.  
2020/0078118 A1 3/2020 Henderson et al.  
2020/0078119 A1 3/2020 Henderson et al.  
2020/0078120 A1 3/2020 Aldridge et al.  
2020/0081585 A1 3/2020 Petre et al.  
2020/0090808 A1 3/2020 Carroll et al.  
2020/0100825 A1 4/2020 Henderson et al.  
2020/0100830 A1 4/2020 Henderson et al.  
2020/0106220 A1 4/2020 Henderson et al.  
2020/0305924 A1 10/2020 Carroll  
2020/0305945 A1 10/2020 Morgan et al.  
2020/0314569 A1 10/2020 Morgan et al.

FOREIGN PATENT DOCUMENTS

EP 0408160 A1 1/1991  
EP 0473987 A1 3/1992  
EP 0929263 B1 7/1999  
EP 2942023 A2 11/2015  
JP 2001029353 A 2/2001  
WO WO-0112089 A1 2/2001  
WO WO-2008053485 A1 5/2008  
WO WO-2014031800 A1 2/2014  
WO WO-2014071184 A1 5/2014  
WO WO-2017058617 4/2017  
WO WO-2018116247 A1 6/2018

OTHER PUBLICATIONS

Sorrells, P., "Application Note AN680. Passive RFID Basics,"  
retrieved from <http://ww1.microchip.com/downloads/en/AppNotes/00680b.pdf> on Feb. 26, 2020, Dec. 31, 1998, pp. 1-7.

\* cited by examiner

*Primary Examiner* — Vy N Koenig  
*Assistant Examiner* — Seth David Kumpf

(57) CLAIM

The ornamental design for an energy module, as shown and described.

DESCRIPTION

FIG. 1 is a perspective view of an energy module.  
FIG. 2 is a front elevation view of the energy module of FIG. 1.  
FIG. 3 is a rear elevation view of the energy module of FIG. 1.  
FIG. 4 is a left elevation view of the energy module of FIG. 1.  
FIG. 5 is a right elevation view of the energy module of FIG. 1.  
FIG. 6 is a top plan view of the energy module of FIG. 1.  
FIG. 7 is a bottom plan view of the energy module of FIG. 1.  
FIG. 8 is a perspective view of an energy module.  
FIG. 9 is a front elevation view of the energy module of FIG. 8.  
FIG. 10 is a rear elevation view of the energy module of FIG. 8.  
FIG. 11 is a left elevation view of the energy module of FIG. 8.  
FIG. 12 is a right elevation view of the energy module of FIG. 8.

FIG. 13 is a top plan view of the energy module of FIG. 8;  
and,

FIG. 14 is a bottom plan view of the energy module of FIG.  
8.

FIG. 15 is a detailed view of the energy module of FIG. 4.

FIG. 16 is a detailed view of the energy module of FIG. 5.

FIG. 17 is a detailed view of the energy module of FIG. 11;  
and,

FIG. 18 is a detailed view of the energy module of FIG. 12.

The wire frame lines shown throughout the views are  
intended to indicate surface contour.

The broken lines in the drawings are for the purpose of  
illustrating portions of the energy module that form no part  
of the claimed design.

The dot-dash broken lines define the boundaries of the  
detailed views shown in FIGS. 4, 5, 11, and 12, and form no  
part of the claimed design.

**1 Claim, 18 Drawing Sheets**

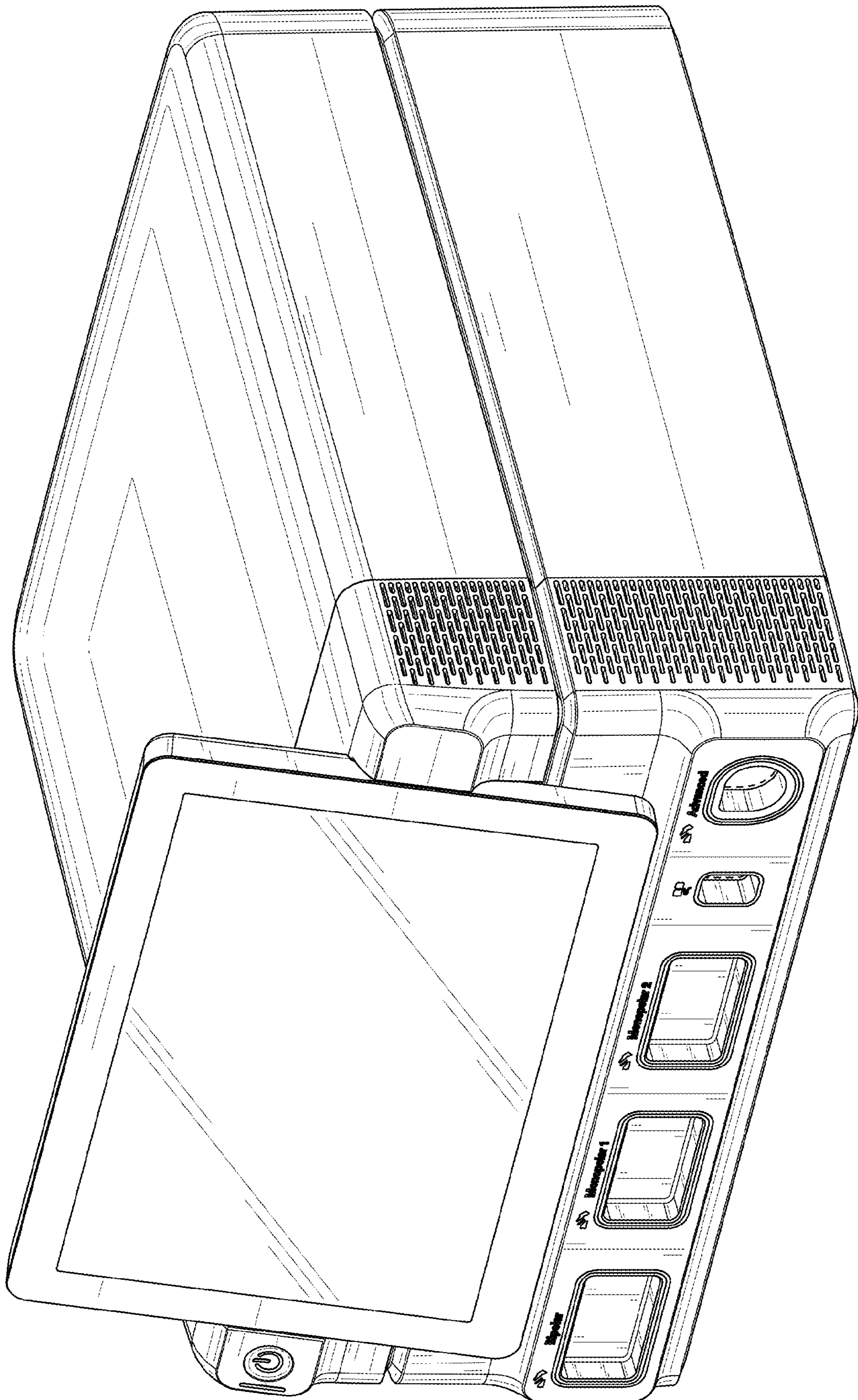


FIG. 1

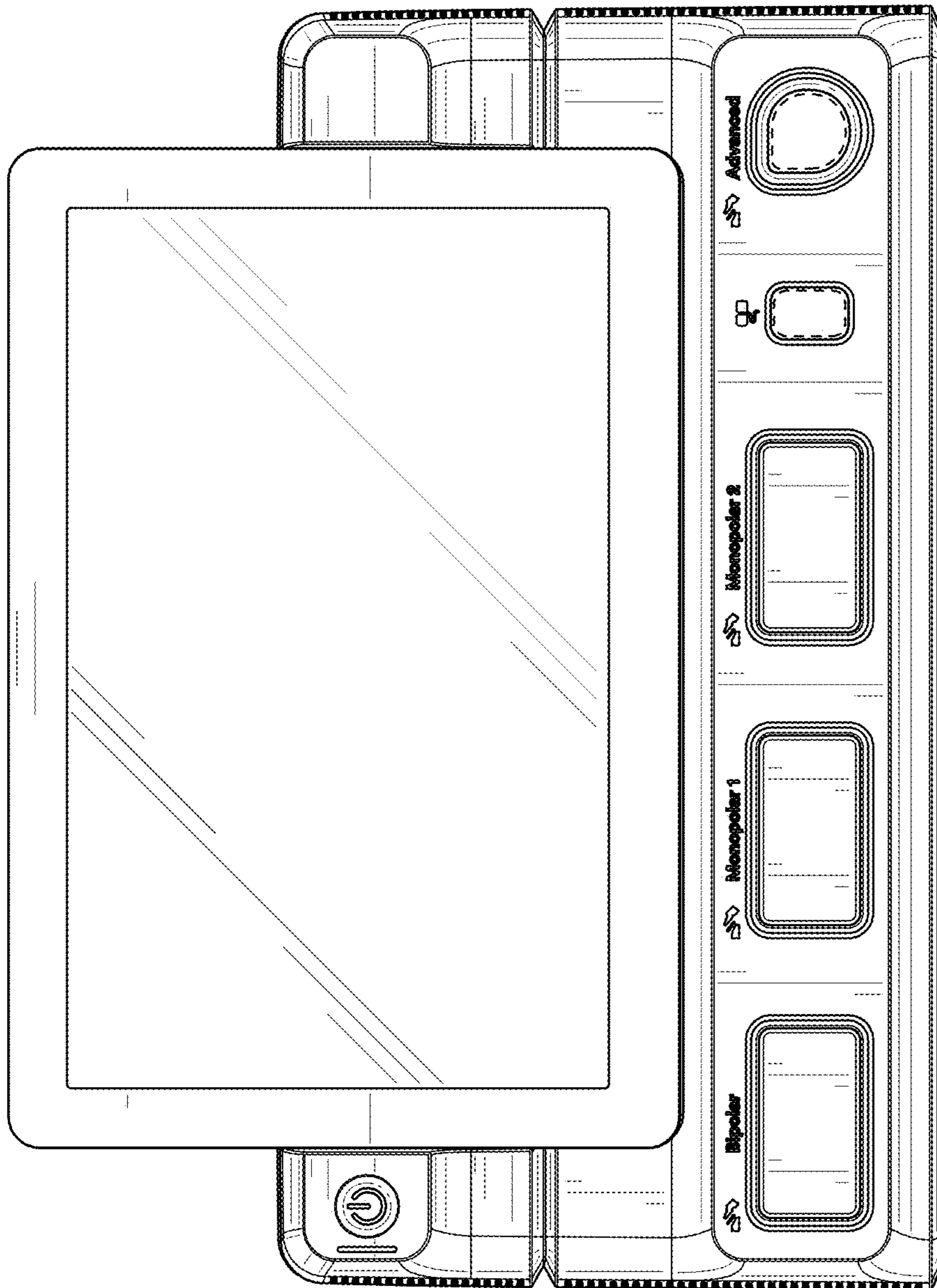


FIG. 2

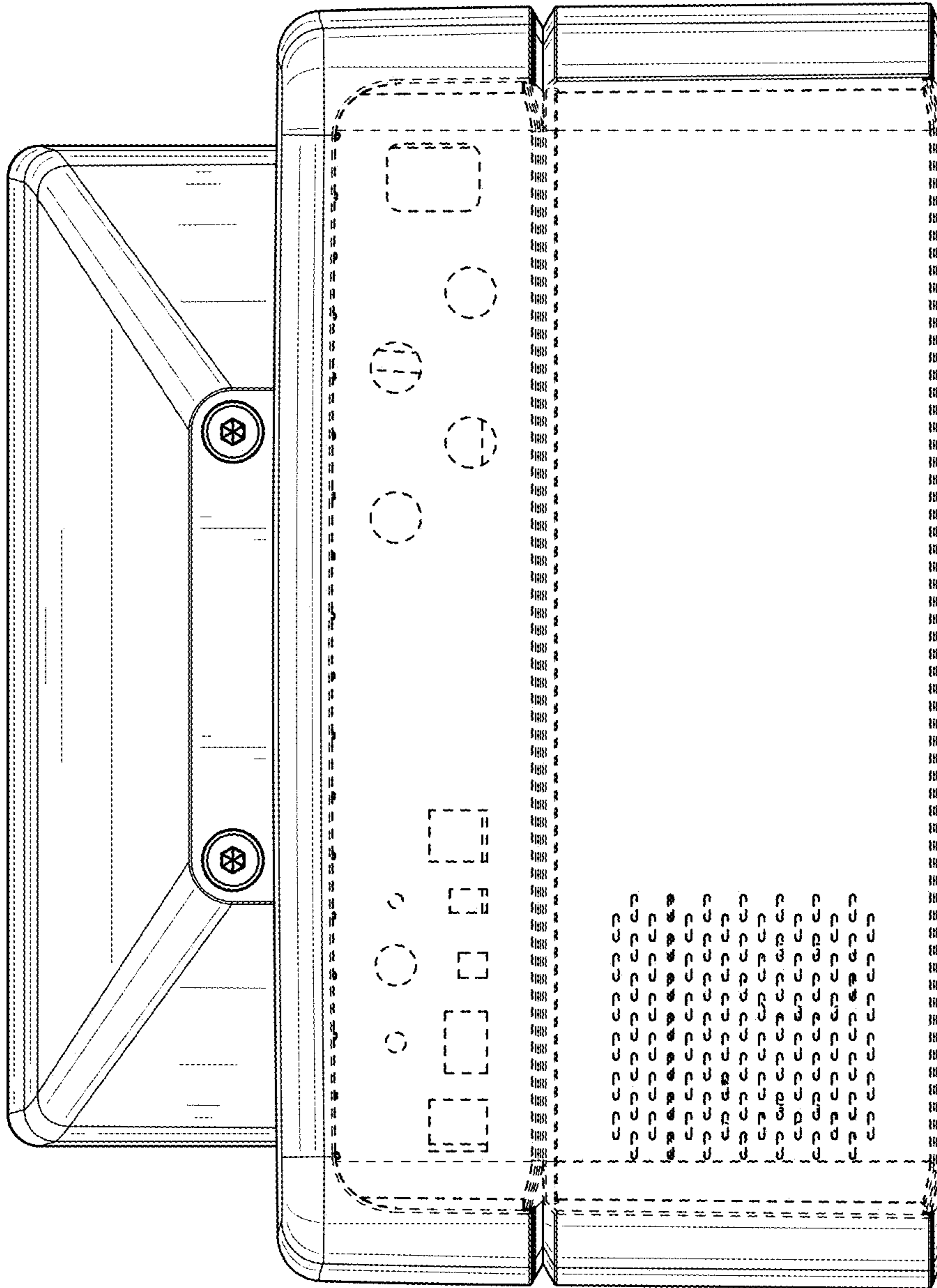


FIG. 3

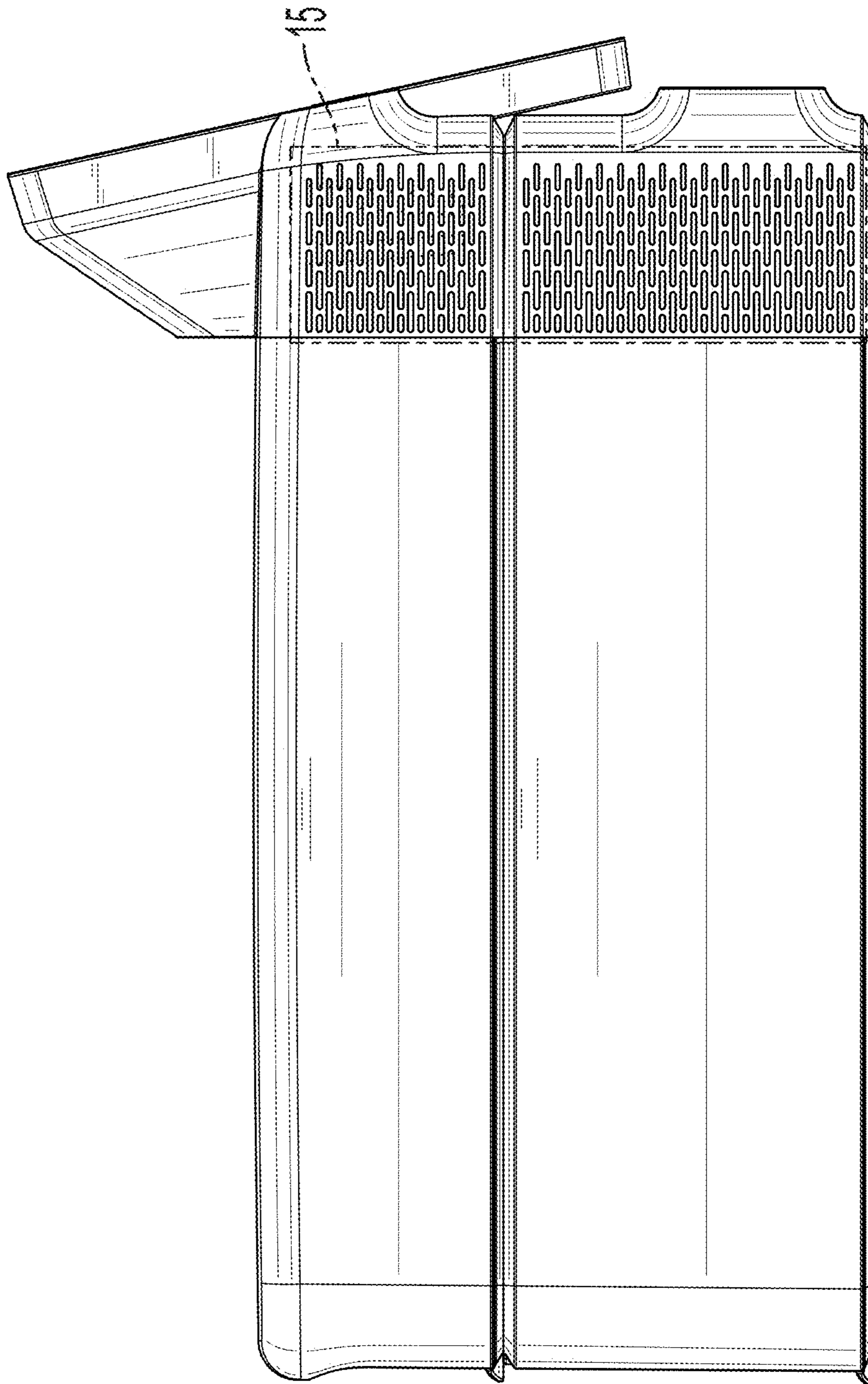


FIG. 4

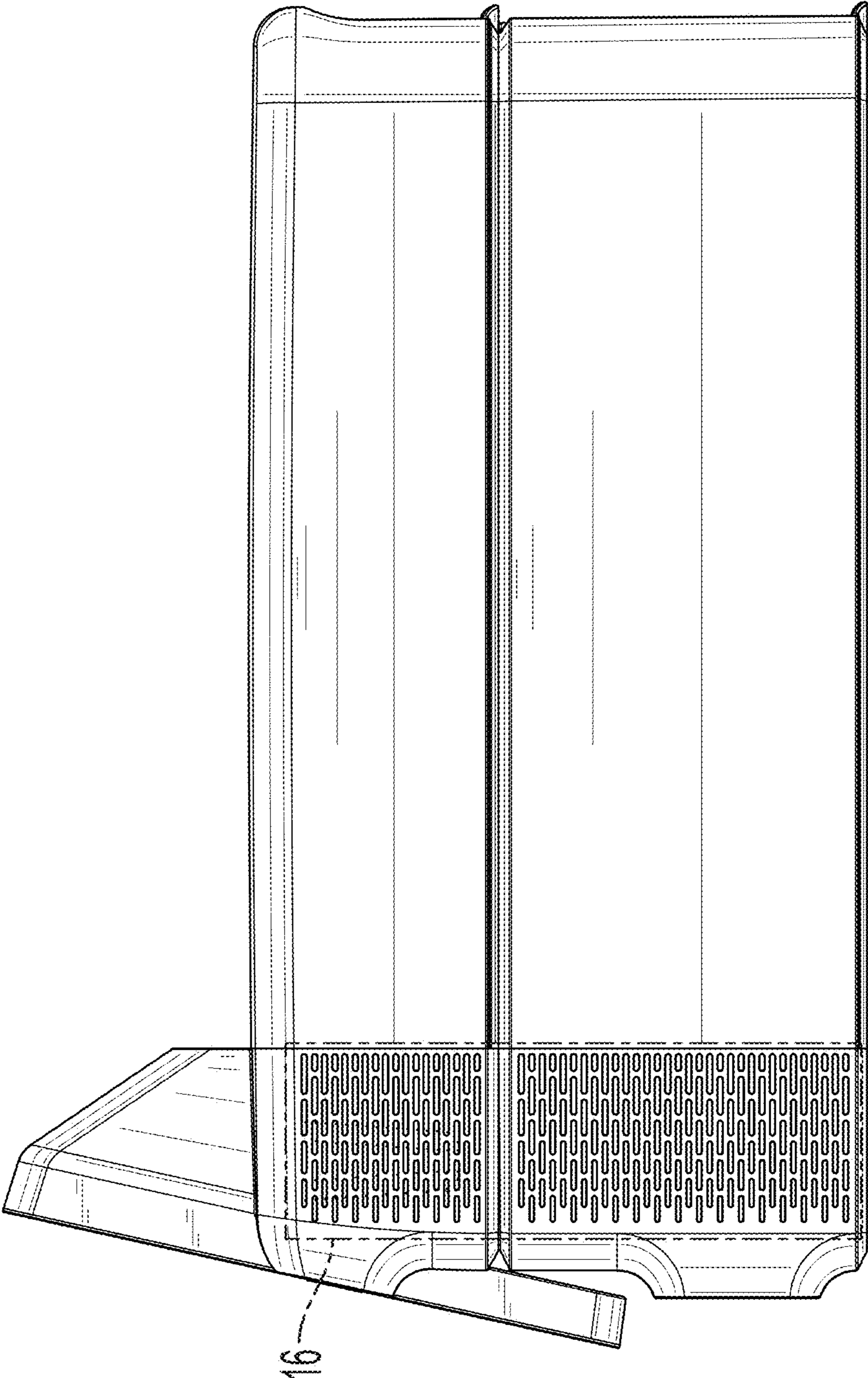


FIG. 5



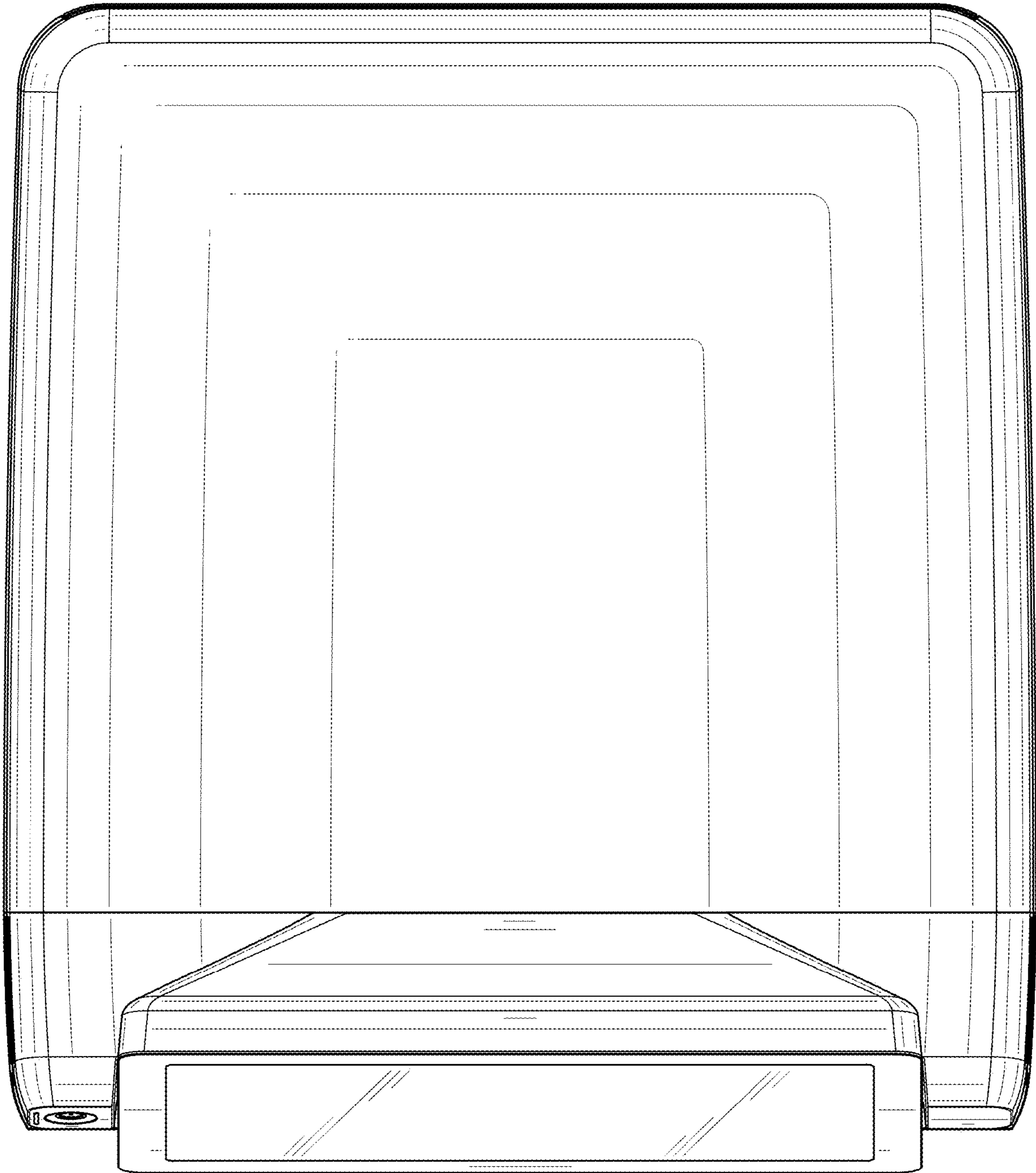


FIG. 6

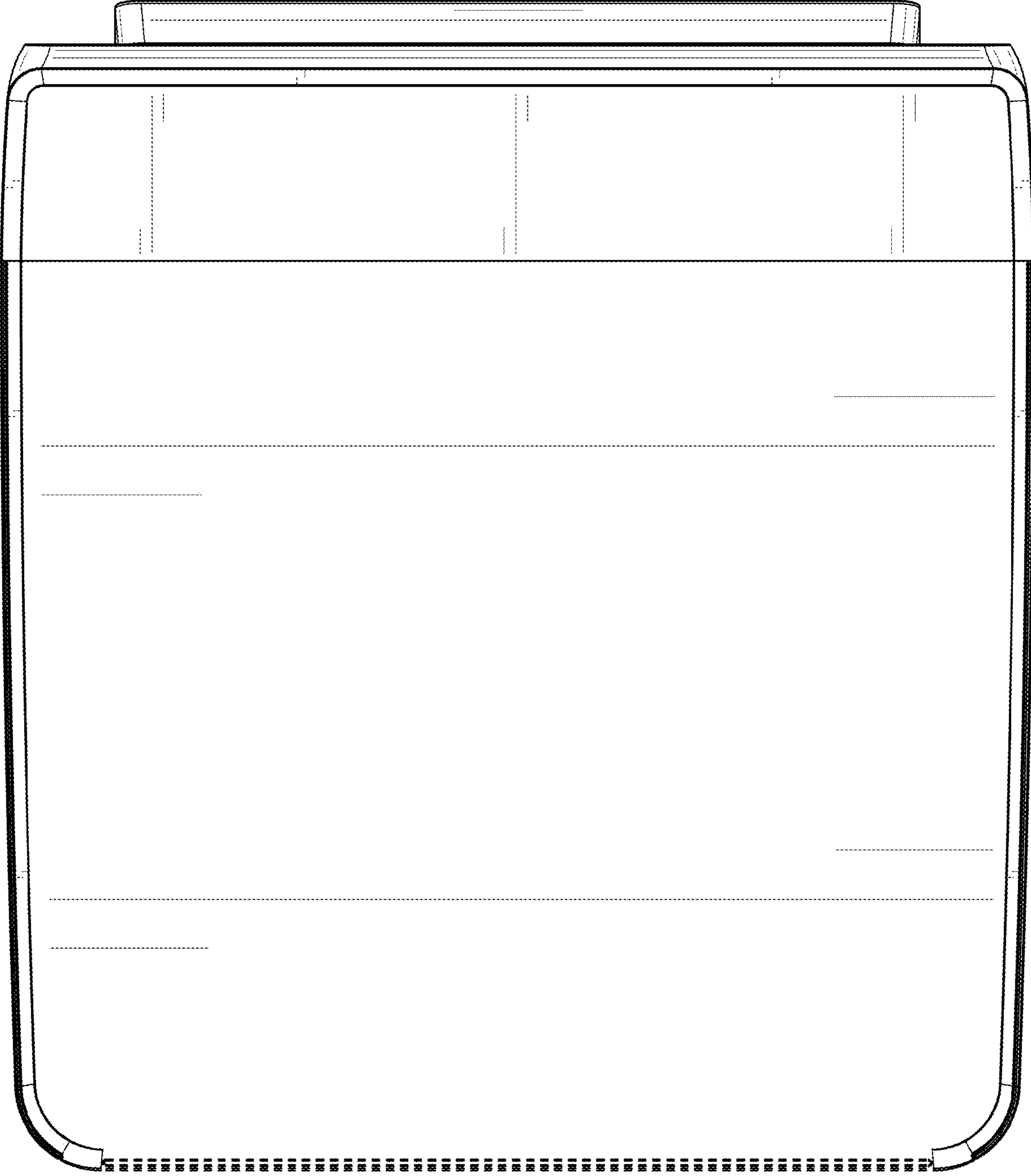


FIG. 7

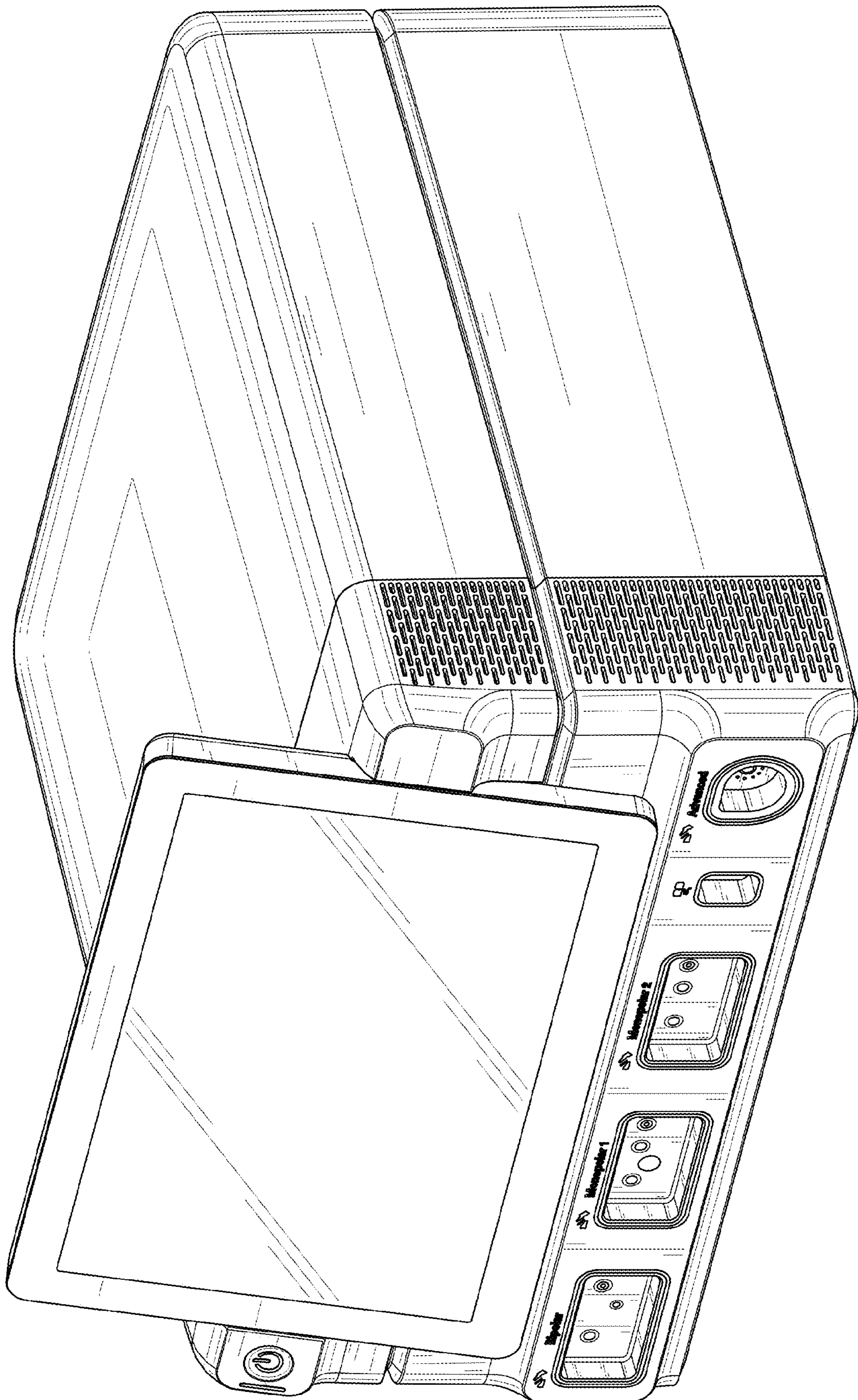


FIG. 8

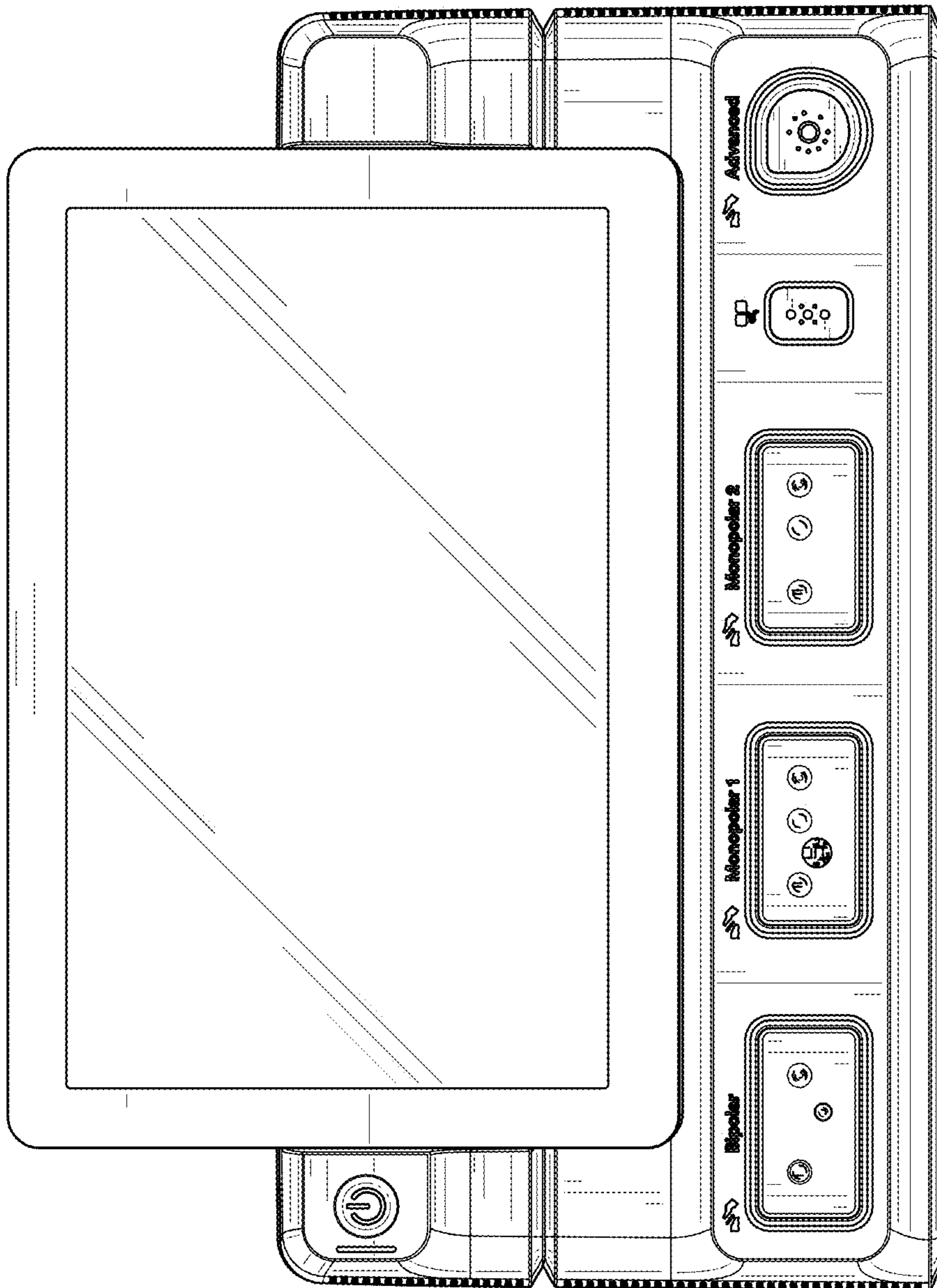


FIG. 9

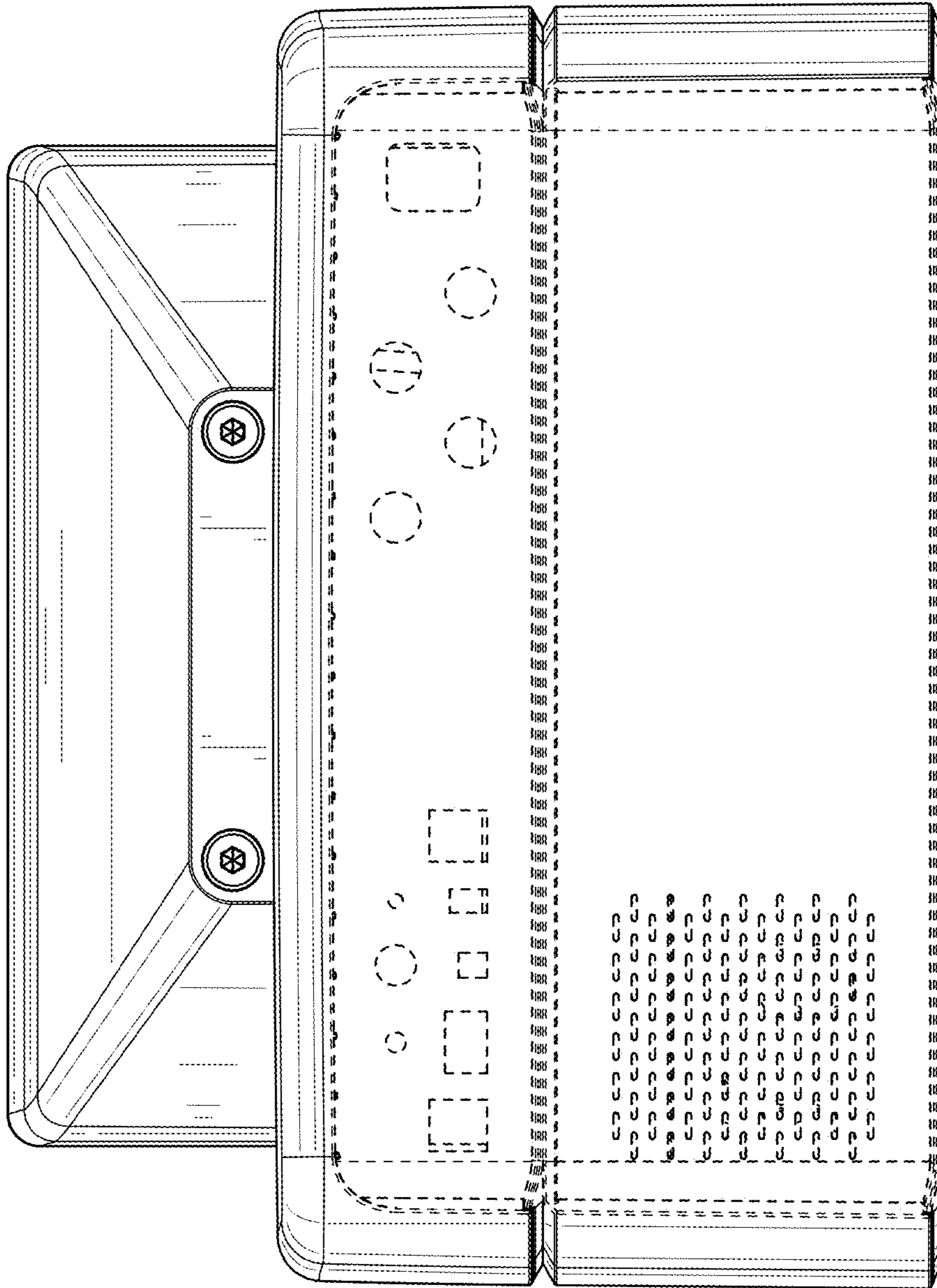


FIG. 10

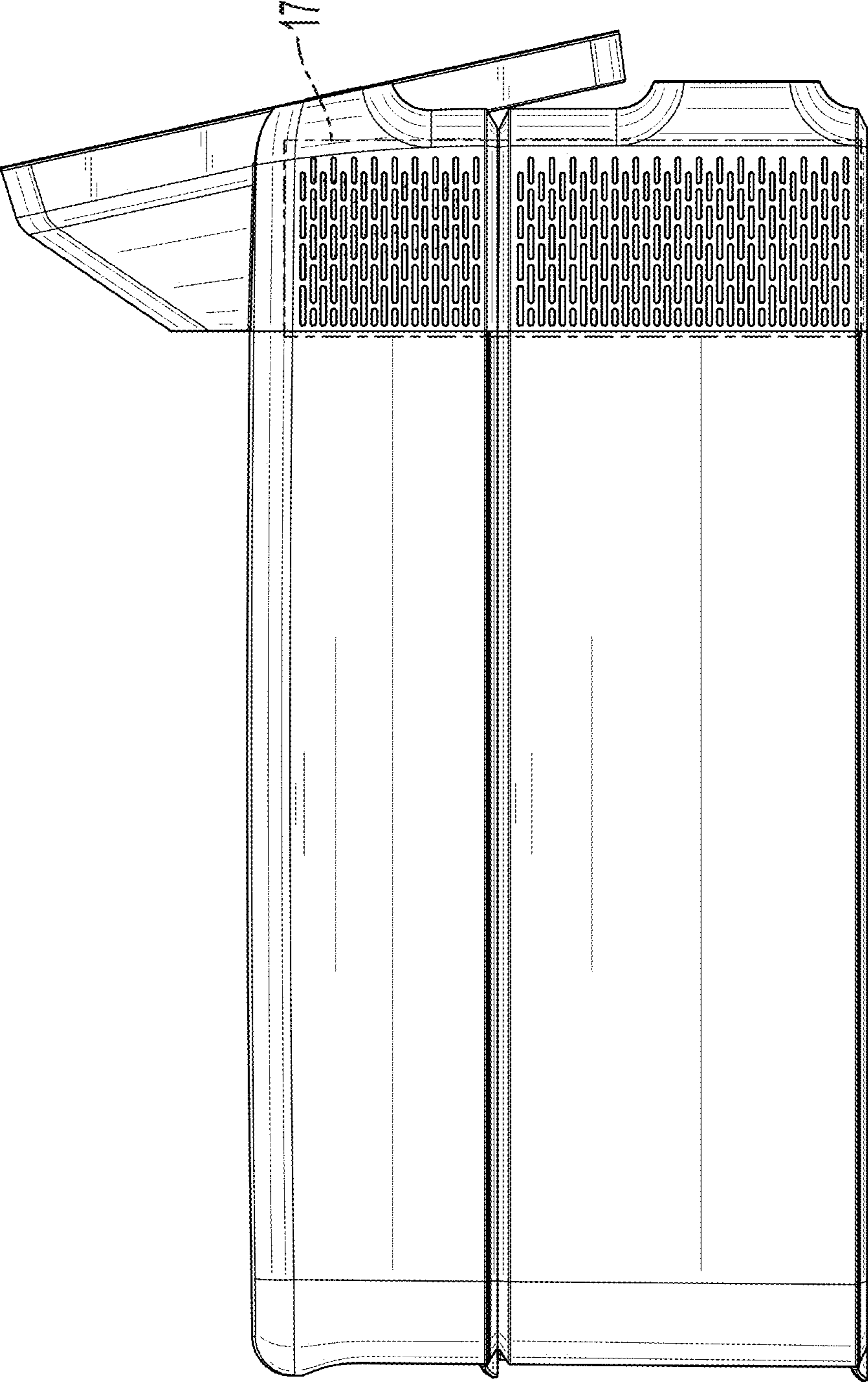


FIG. 11

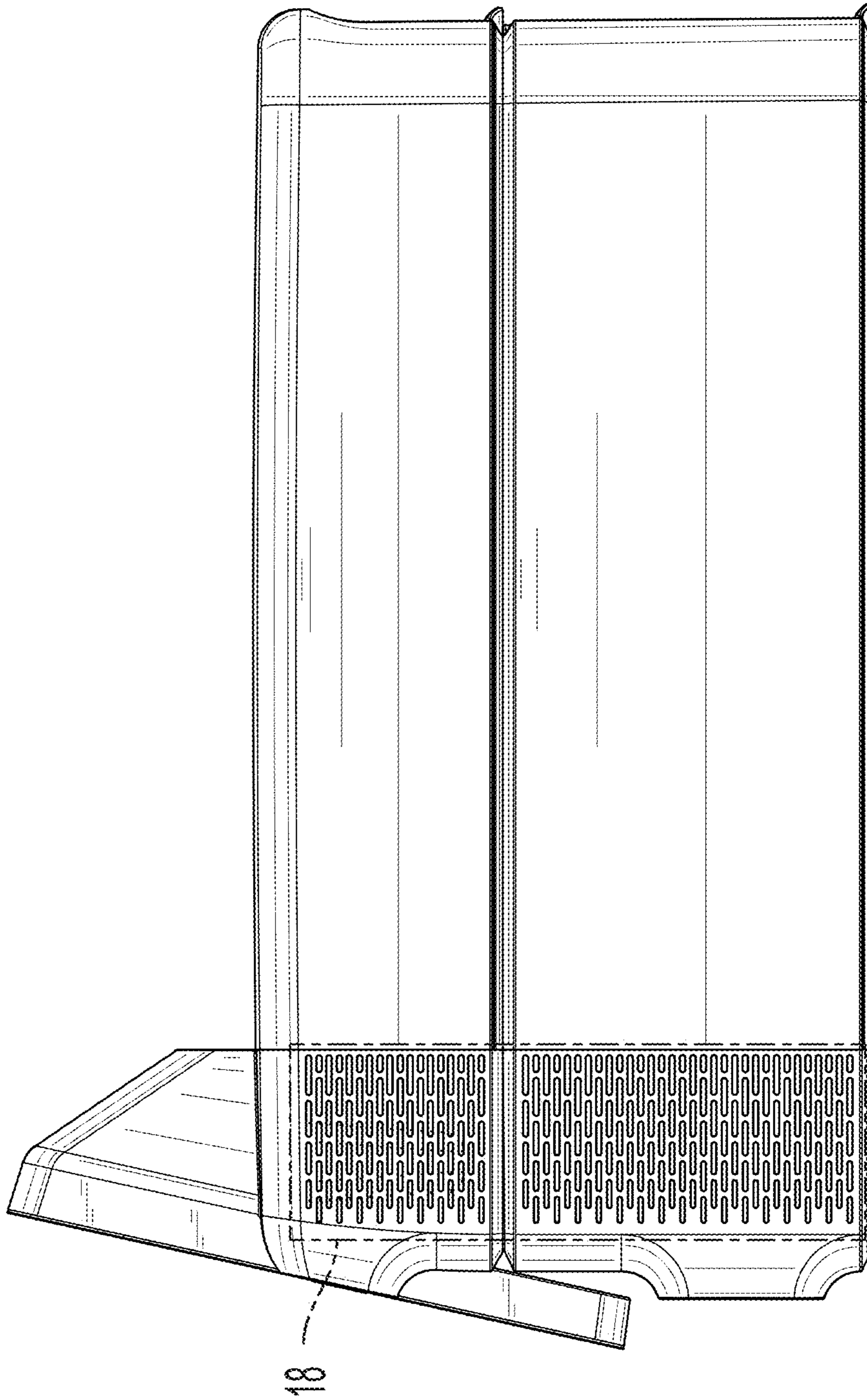


FIG. 12

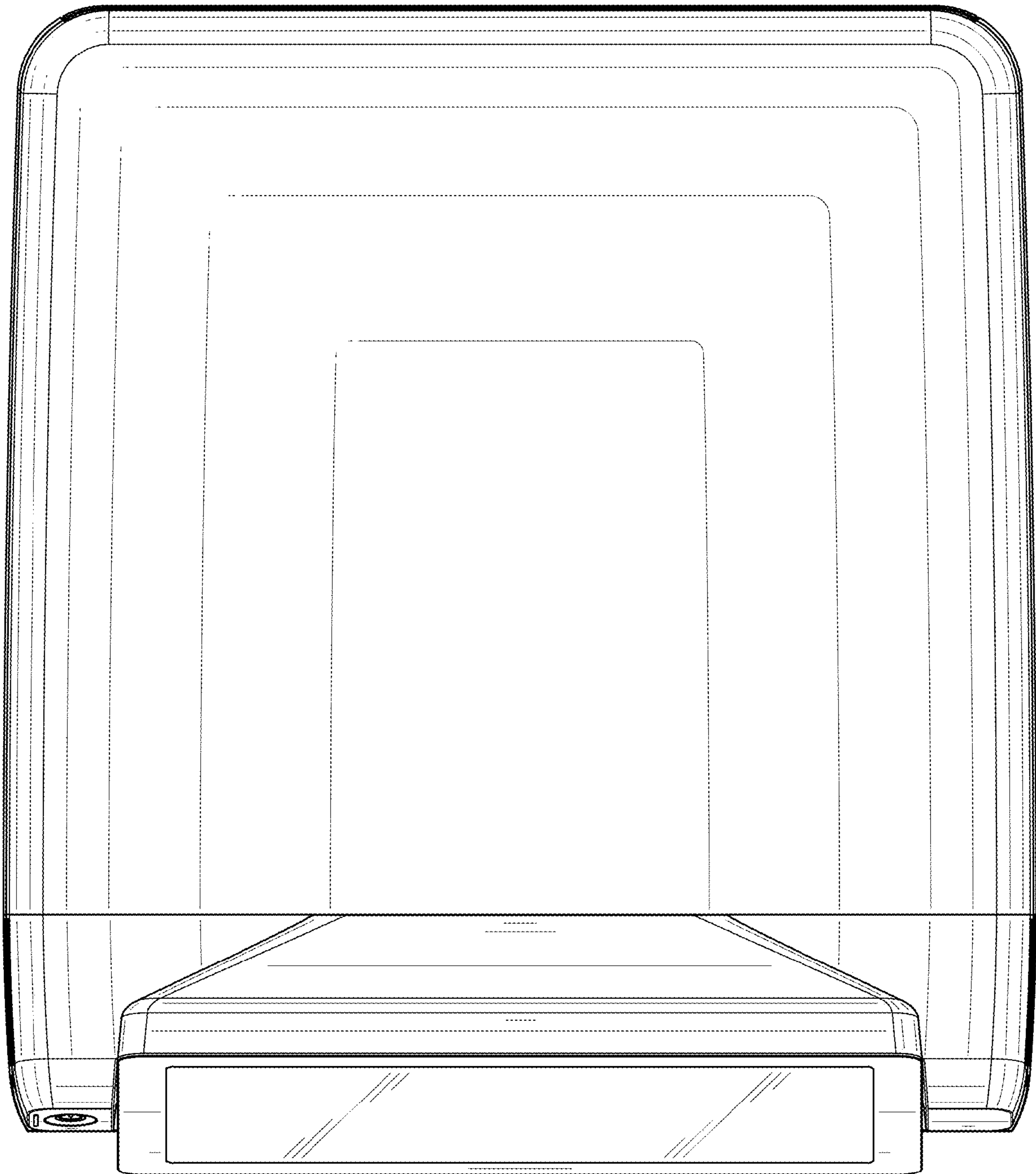


FIG. 13



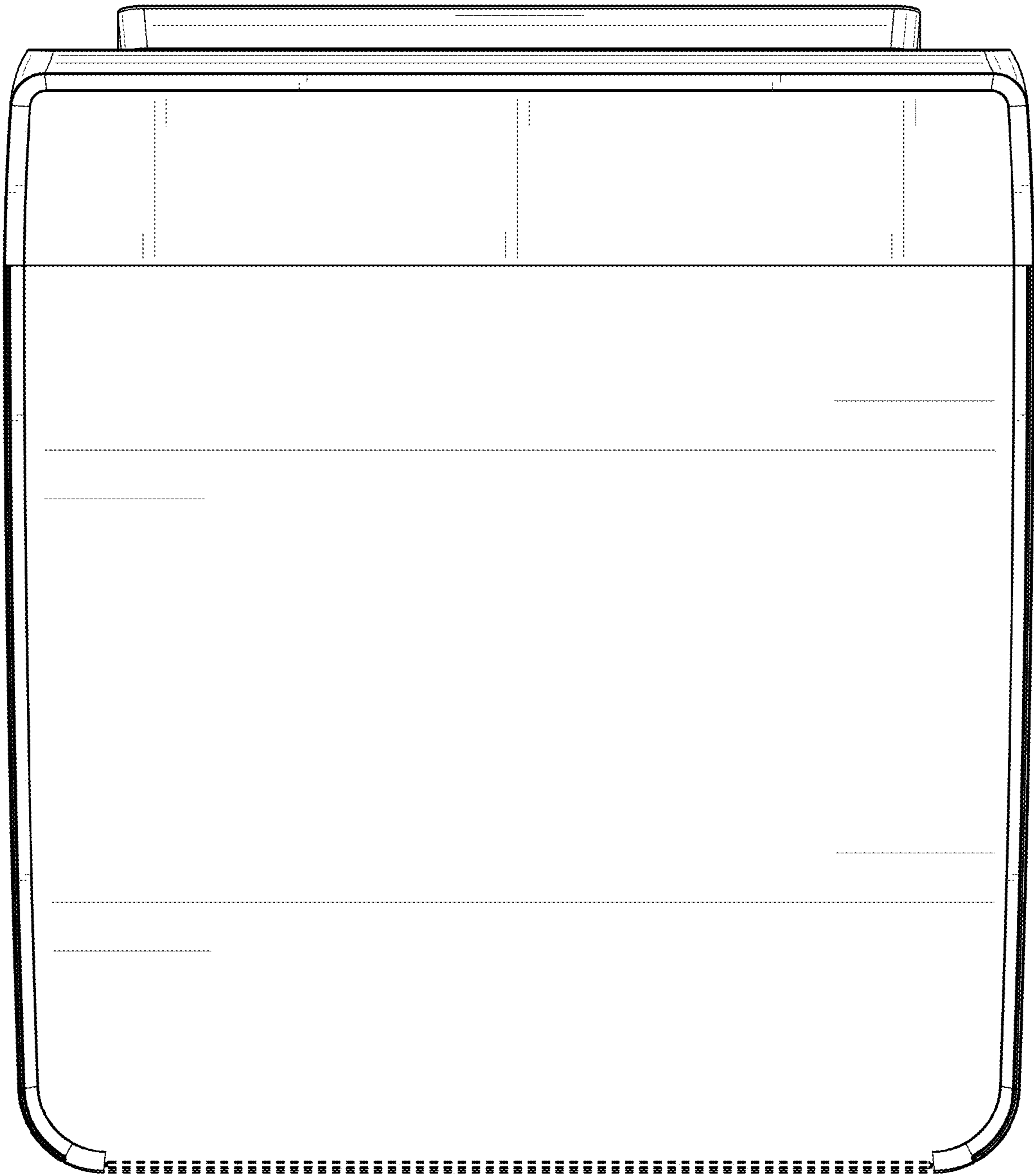


FIG. 14

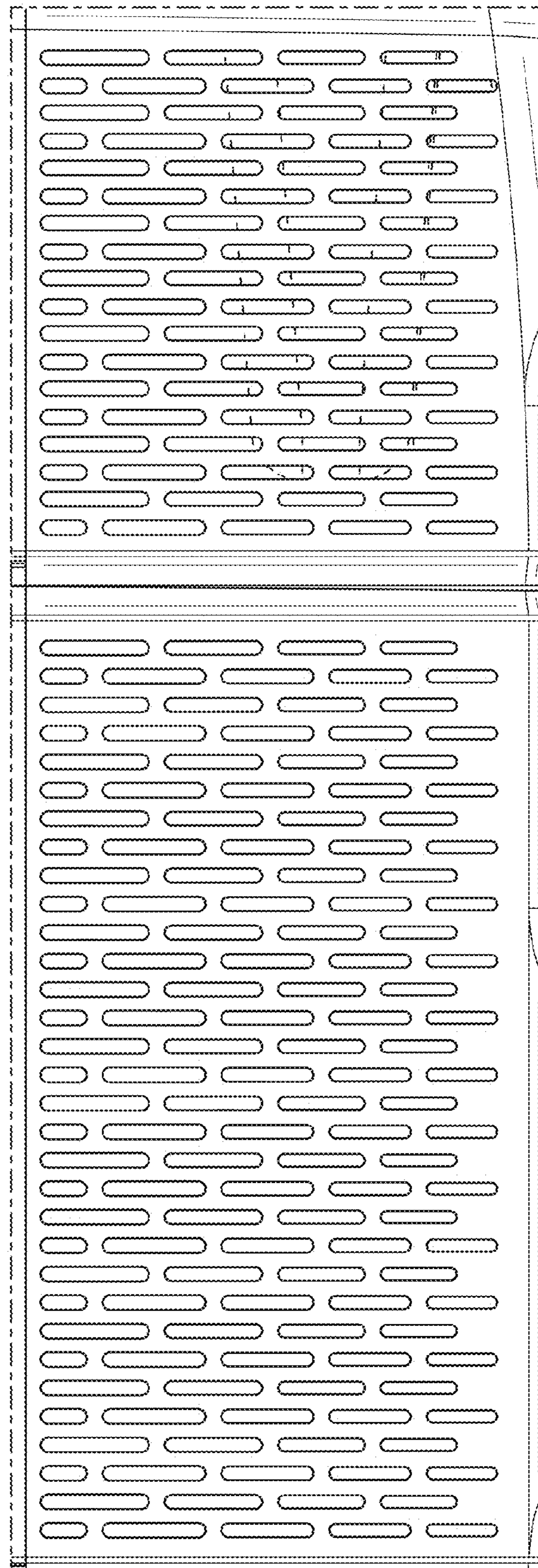


FIG. 15

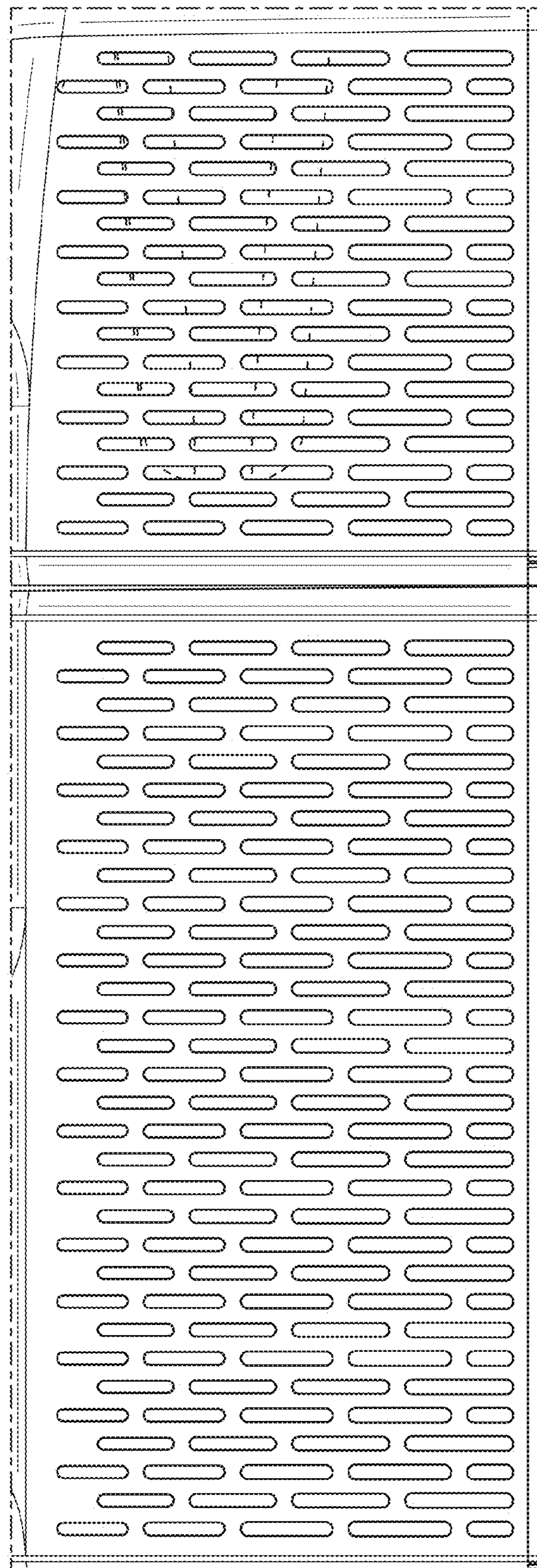


FIG. 16

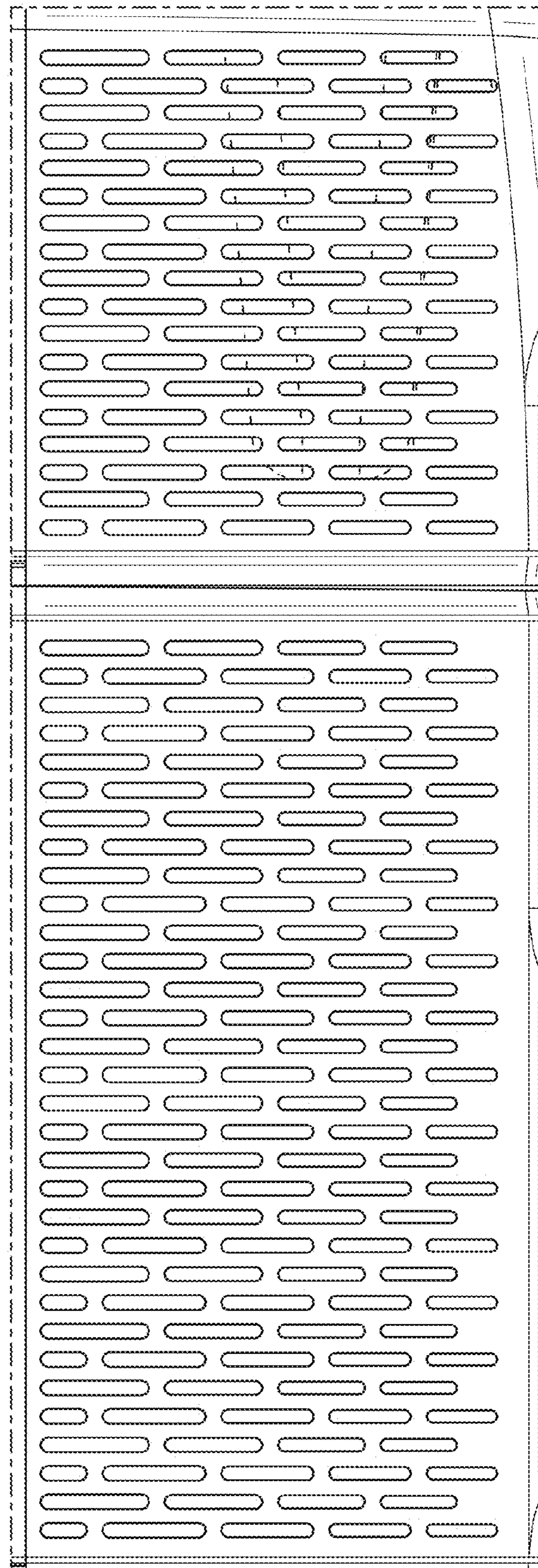


FIG. 17

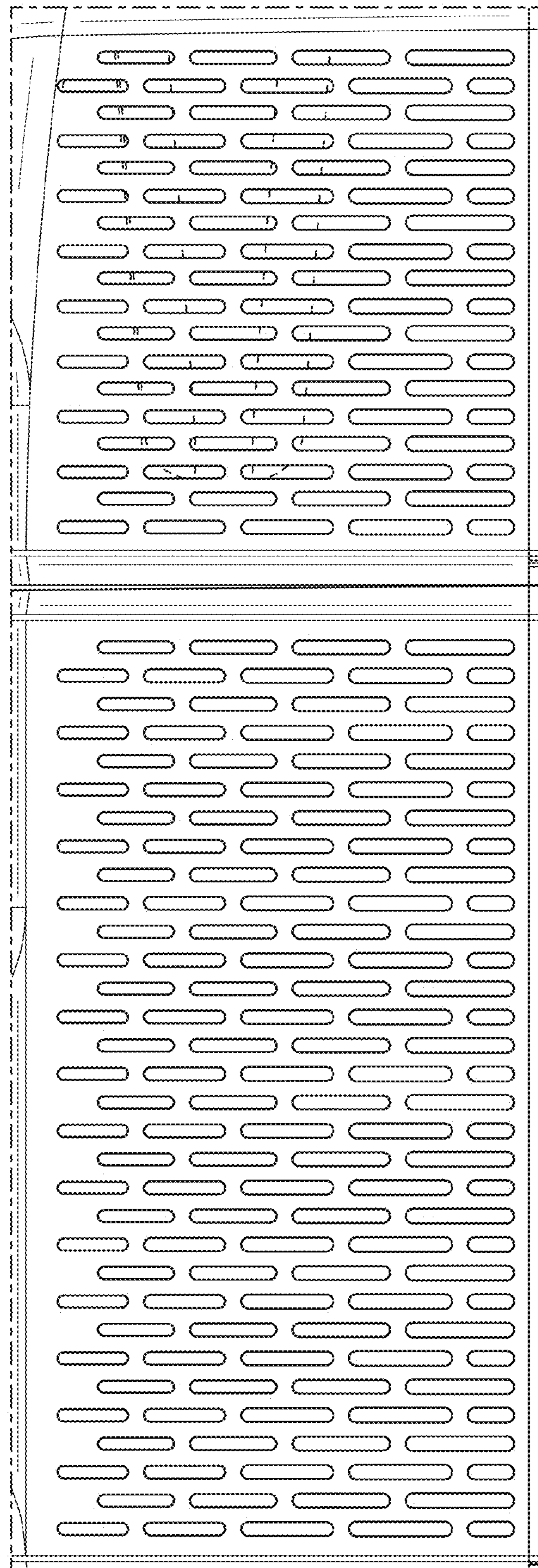


FIG. 18