



US00D928723S

(12) **United States Design Patent** (10) **Patent No.:** **US D928,723 S**  
**Weinerman et al.** (45) **Date of Patent:** **\*\* Aug. 24, 2021**

(54) **ELECTRICAL ENCLOSURE**  
(71) Applicant: **The Eastern Company**, Strongsville, OH (US)  
(72) Inventors: **Lee S. Weinerman**, Medina, OH (US); **Keith Braun**, Strongsville, OH (US); **James Paxitzis**, Strongsville, OH (US)  
(73) Assignee: **THE EASTERN COMPANY**, Cleveland, OH (US)  
(\*\*) Term: **15 Years**  
(21) Appl. No.: **29/698,677**  
(22) Filed: **Jul. 18, 2019**  
(51) **LOC (13) Cl.** ..... **13-03**  
(52) **U.S. Cl.**  
USPC ..... **D13/162**; D10/49  
(58) **Field of Classification Search**  
USPC ..... D13/101, 107, 110, 118, 120, 123, 133, D13/134, 139.1, 139.3, 146, 147, D13/150-155, 158, 159-162, 162.1, 163, D13/173, 175, 177, 184, 199; D14/155, D14/240, 256, 300-302, 349, 356, 358, D14/432, 435; D9/356, 414, 432, 433, D9/435.1, 438; D10/46, 49, 50, 104.1  
CPC ..... H05B 47/19; H05B 47/01; H05B 45/20; H05B 39/04; H05B 39/088; H05B 47/18; F24F 11/52; F24F 11/523; F24F 13/20; F24F 11/70; F24F 2013/207; F24F 2221/14; F24F 2221/17; H01R 9/24; H01R 9/2491  
See application file for complete search history.

(56) **References Cited**  
U.S. PATENT DOCUMENTS  
D286,765 S \* 11/1986 Prouty ..... D13/159  
D333,294 S \* 2/1993 Dossey ..... D13/158  
D539,676 S \* 4/2007 Hedderich ..... D10/49

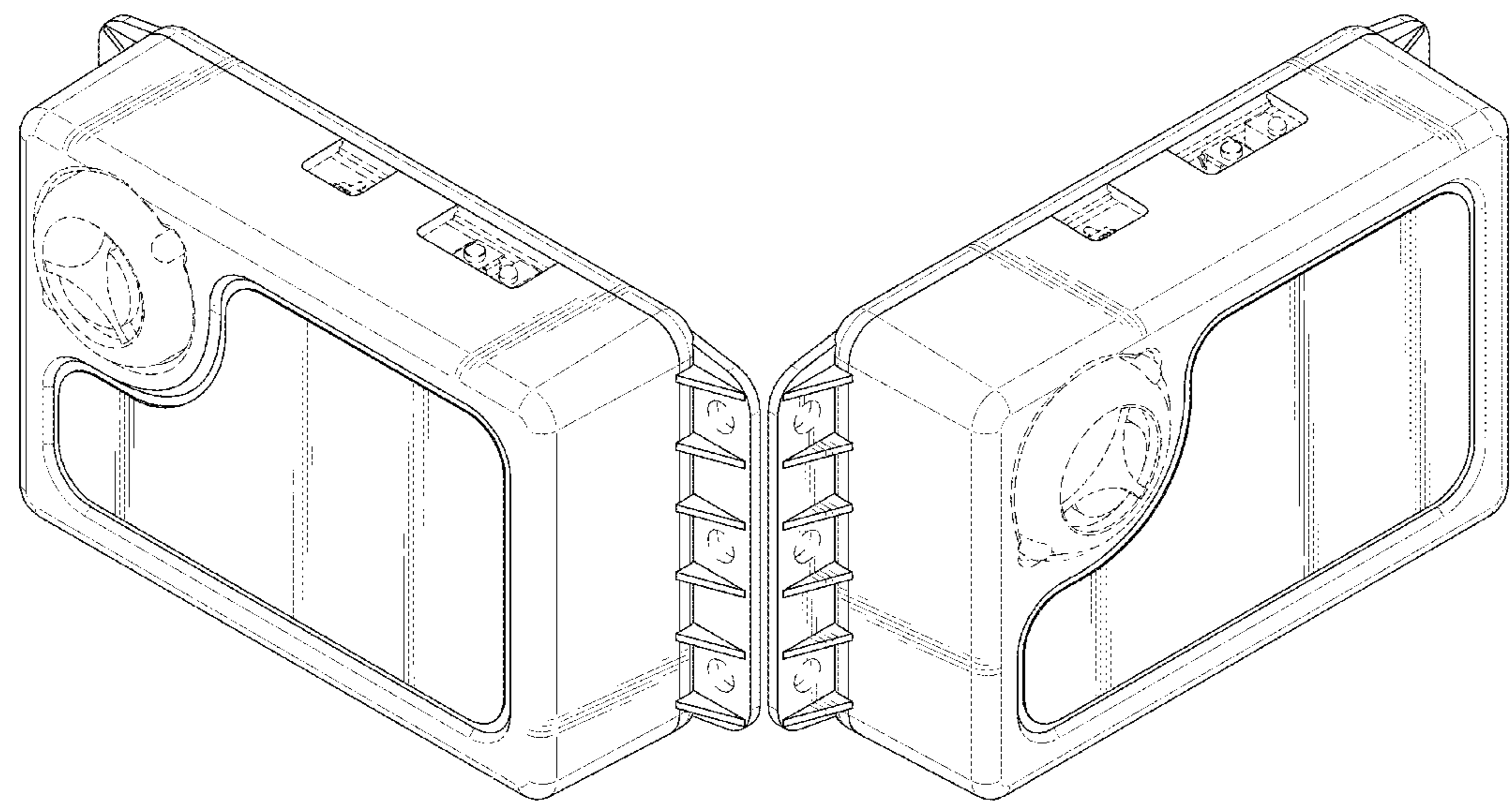
D632,195 S \* 2/2011 Daniel ..... D10/104.1  
D645,002 S \* 9/2011 Kashimoto ..... D13/162  
D676,461 S \* 2/2013 Wertz ..... D15/5  
D723,948 S \* 3/2015 Baumgartner ..... D10/50  
D770,313 S \* 11/2016 Turcotte ..... D10/49  
D774,007 S \* 12/2016 Ryan ..... D13/184  
D785,572 S \* 5/2017 Abraham ..... D13/152  
D794,579 S \* 8/2017 Peterson ..... D13/162  
D810,700 S \* 2/2018 Jenkins ..... D13/162  
D850,298 S \* 6/2019 Alcorn ..... D10/49  
D884,493 S \* 5/2020 Erbacher ..... D10/49  
D887,366 S \* 6/2020 Madathil Sankarankutty Nair ..... D13/152  
D889,378 S \* 7/2020 Long ..... D12/345  
D890,106 S \* 7/2020 Price ..... D13/162  
D892,748 S \* 8/2020 Madathil Sankarankutty Nair ..... D13/152  
D894,844 S \* 9/2020 Boynton ..... D13/162

\* cited by examiner  
*Primary Examiner* — Susan Bennett Hattan  
*Assistant Examiner* — Landon Thomas Cassell  
(74) *Attorney, Agent, or Firm* — Ralph E. Jocke; Walker & Jocke

(57) **CLAIM**  
An ornamental design for an electrical enclosure, as shown and described.

**DESCRIPTION**  
FIG. 1 is a front top right perspective view showing our new design for an electrical enclosure.  
FIG. 2 is a front top left perspective view.  
FIG. 3 is a front view.  
FIG. 4 is a top view.  
FIG. 5 is a bottom view.  
FIG. 6 is a left side view.  
FIG. 7 is a right side view; and,  
FIG. 8 is a back view.  
The broken lines in the drawings depict portions of the electrical enclosure that form no part of the claimed design.

**1 Claim, 6 Drawing Sheets**



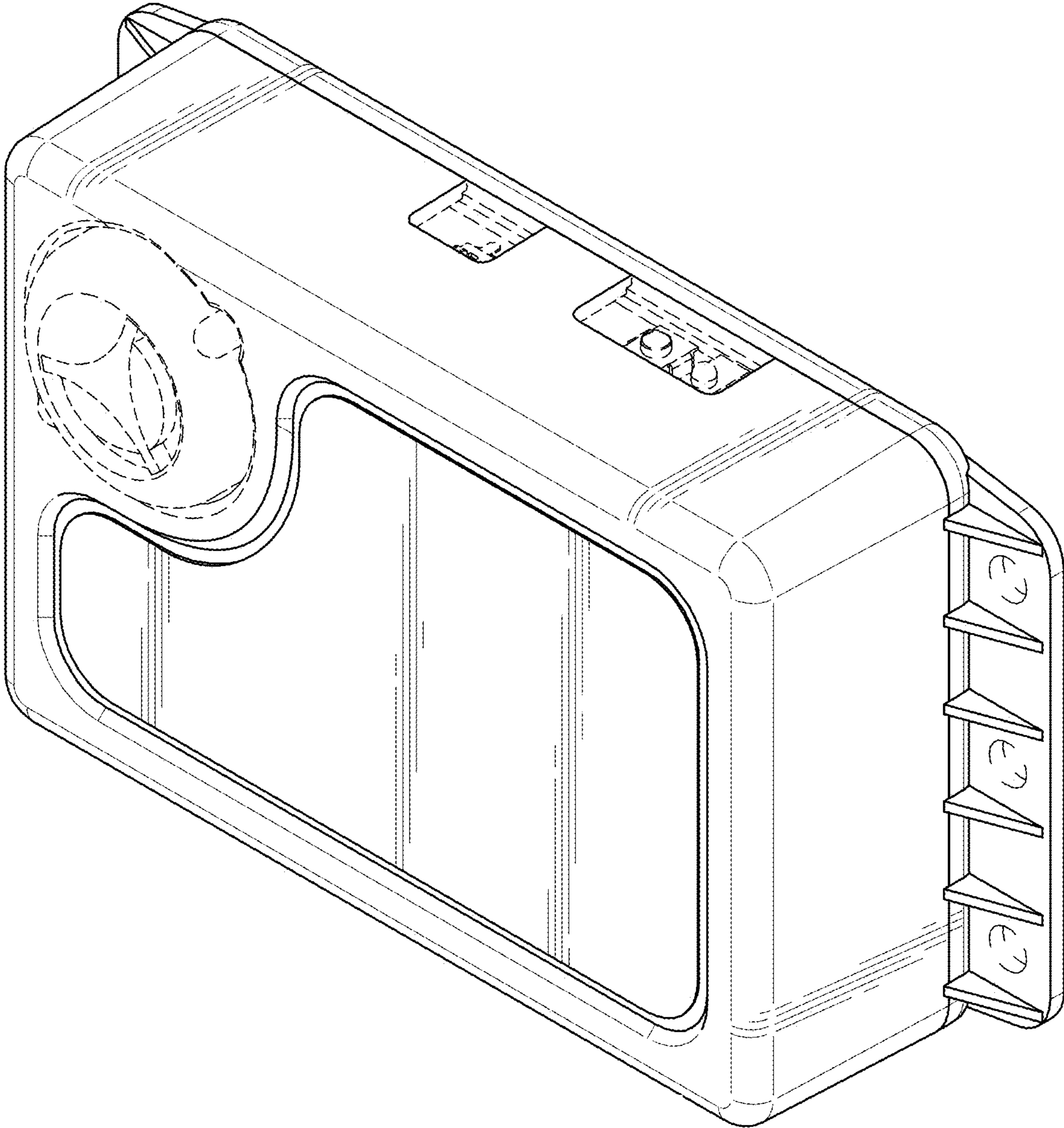


Fig. 1

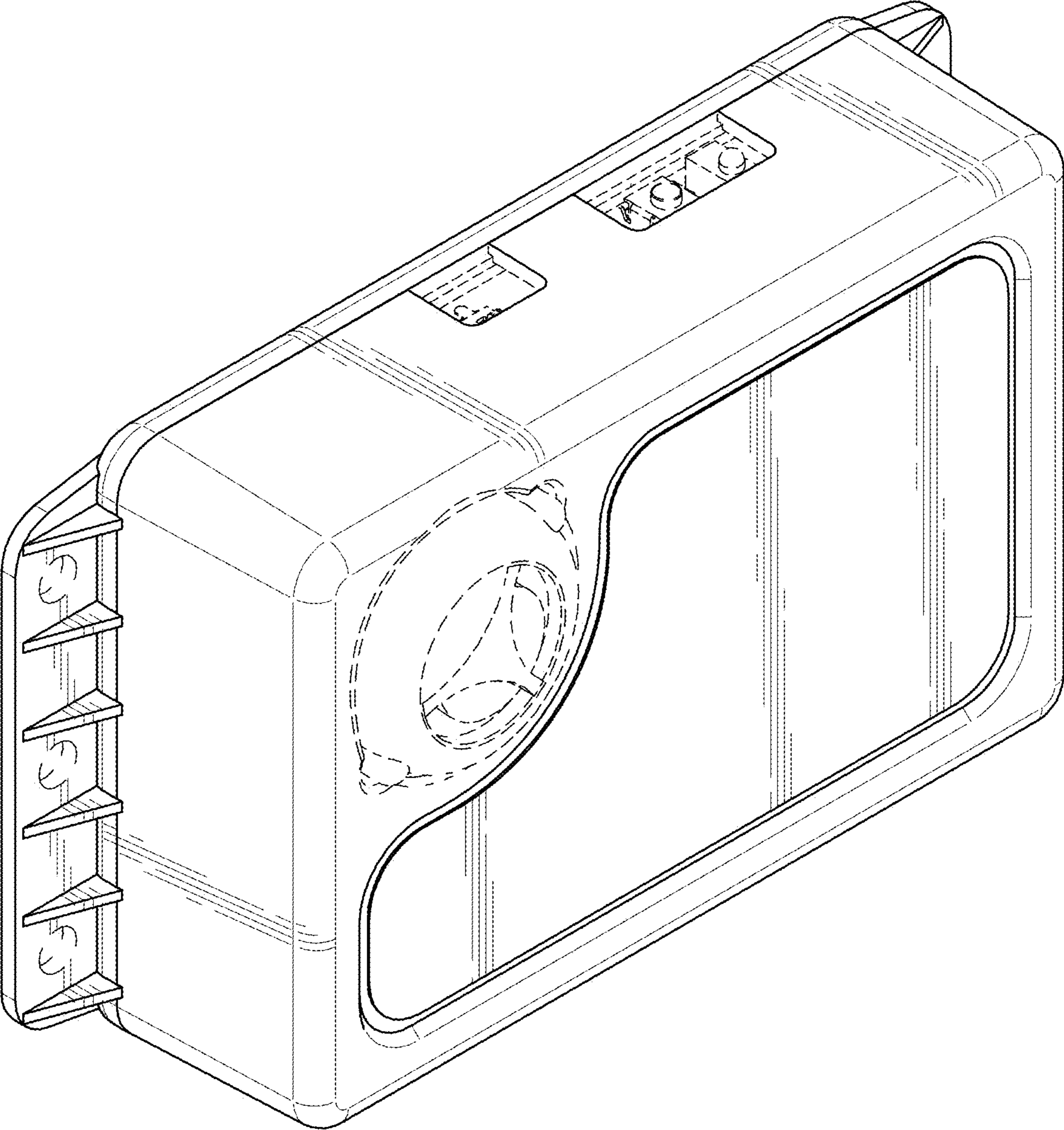


Fig. 2

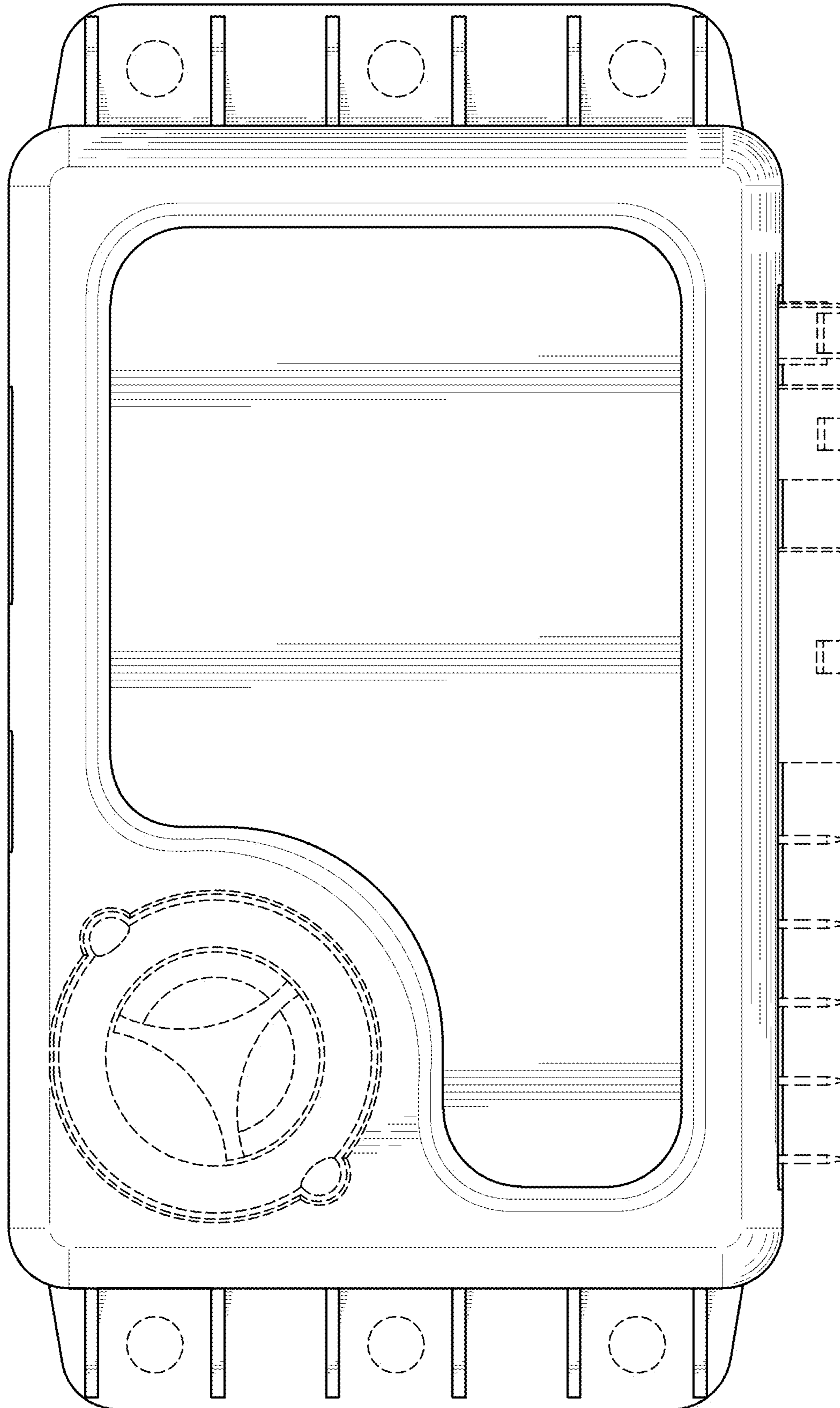


FIG. 3

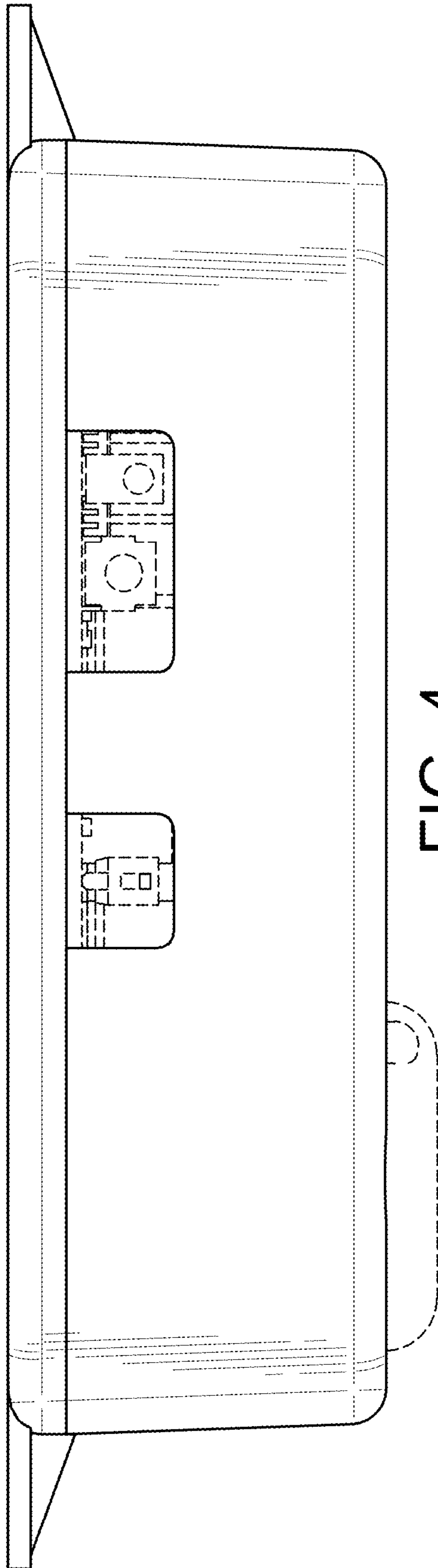


FIG. 4

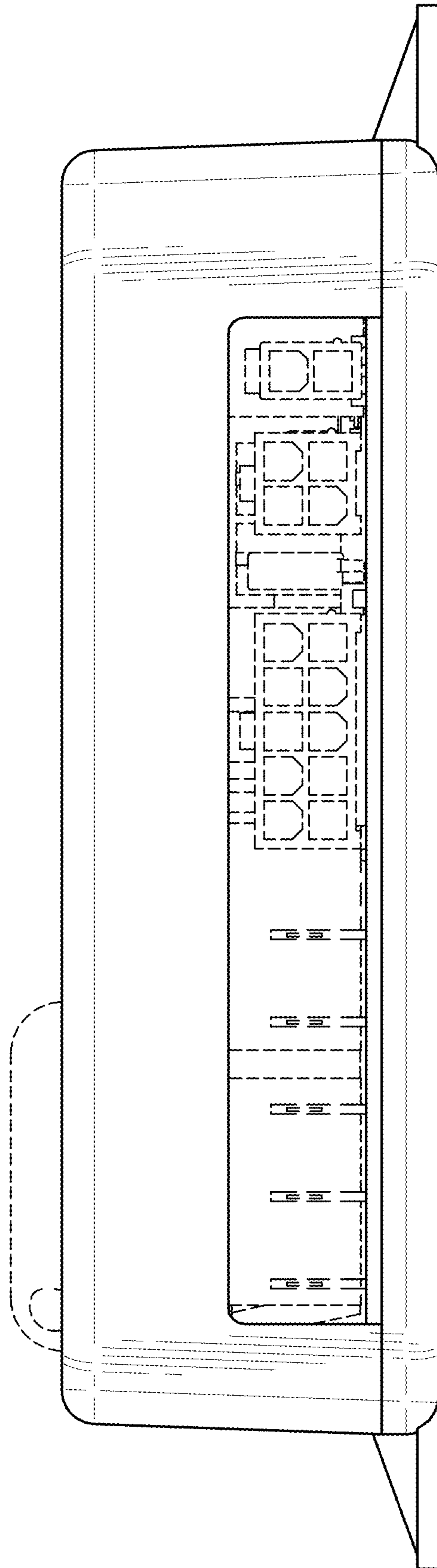


FIG. 5

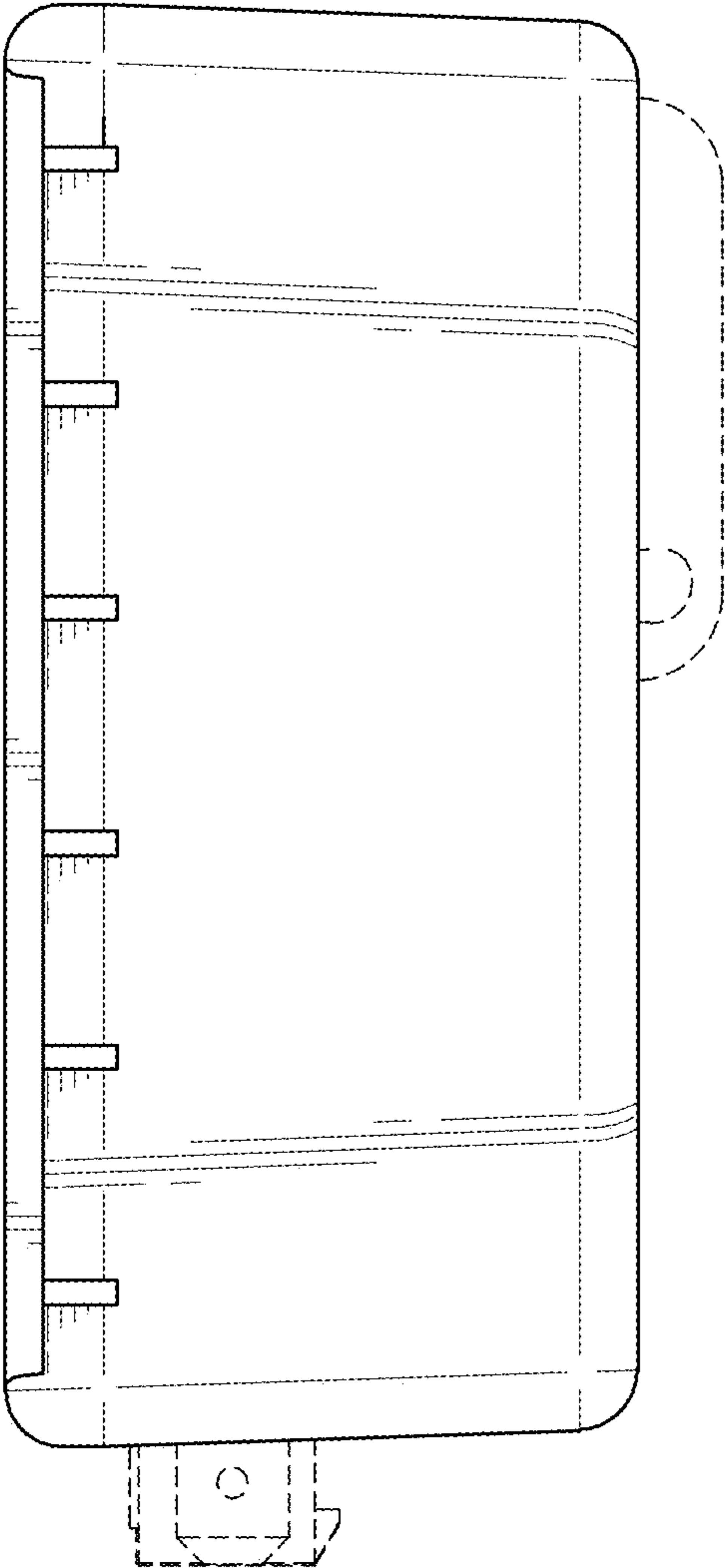


Fig. 6

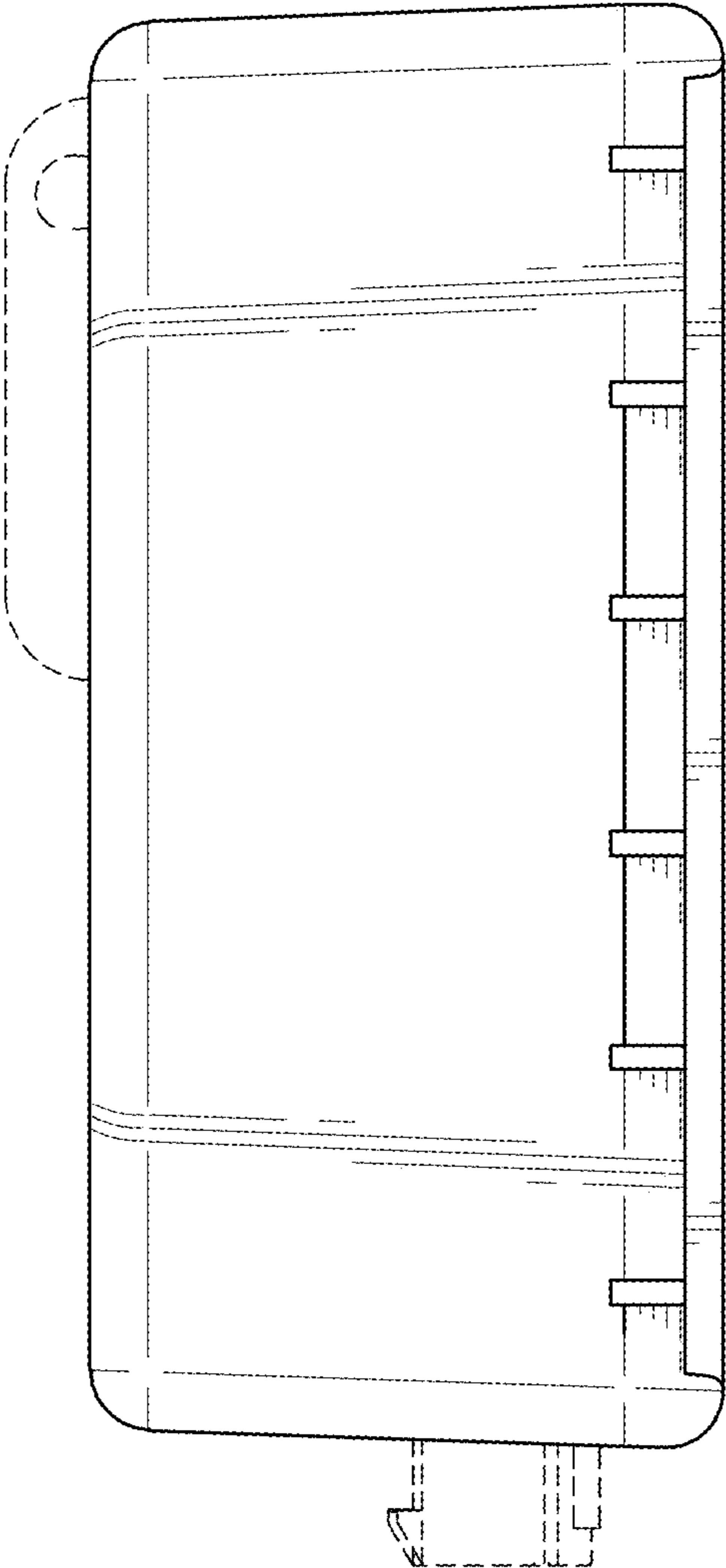


Fig. 7

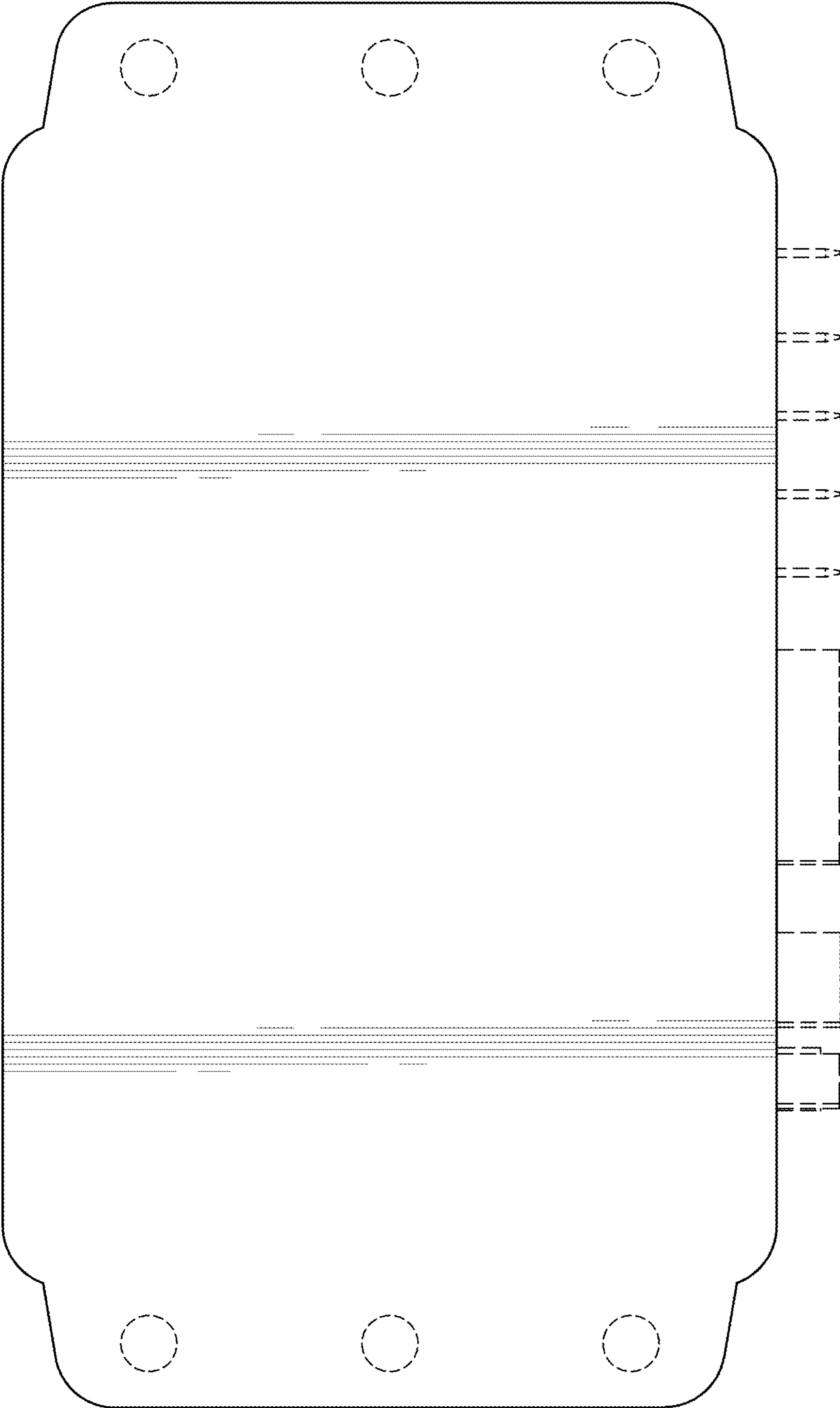


FIG. 8