



US00D928722S

(12) **United States Design Patent** (10) **Patent No.:** **US D928,722 S**  
**Kok** (45) **Date of Patent:** **\*\* Aug. 24, 2021**

(54) **ELECTRICAL CIRCUIT COMPONENT**

(71) Applicant: **Johann Kok**, Pretoria (ZA)

(72) Inventor: **Johann Kok**, Pretoria (ZA)

(\*\*) Term: **15 Years**

(21) Appl. No.: **29/707,956**

(22) Filed: **Oct. 2, 2019**

(51) **LOC (13) Cl.** ..... **13-03**

(52) **U.S. Cl.**  
USPC ..... **D13/156; D13/182**

(58) **Field of Classification Search**  
USPC ..... D13/110, 156, 133, 155, 182, 184, 154,  
D13/162, 152, 118, 120  
CPC ..... H01R 13/41; H01R 13/52; H02G 3/086;  
Y10T 16/46; H05K 1/0213  
See application file for complete search history.

(56) **References Cited**

U.S. PATENT DOCUMENTS

D312,618 S *	12/1990	Ambros	.....	D13/184
5,585,670 A *	12/1996	Isshiki	.....	H01L 23/49541 257/676
D383,727 S *	9/1997	Caruso	.....	D13/156
D389,808 S *	1/1998	Yamada	.....	D13/182
D396,450 S *	7/1998	Nishiura	.....	D13/182
D453,746 S *	2/2002	Kato	.....	D13/182
D465,463 S *	11/2002	Wasada	.....	D13/182
6,555,899 B1 *	4/2003	Chung	.....	H01L 23/3107 257/666
D796,459 S *	9/2017	Iwai	.....	D13/182
D849,692 S *	5/2019	Marsden	.....	D13/156

D886,072 S *	6/2020	MacDonald	.....	D13/182
D915,303 S *	4/2021	Davis	.....	D13/156
2003/0042584 A1 *	3/2003	Yamaguchi	.....	H01L 23/49503 257/666

\* cited by examiner

*Primary Examiner* — Jennifer O King

(74) *Attorney, Agent, or Firm* — Haugen Law Firm PLLP

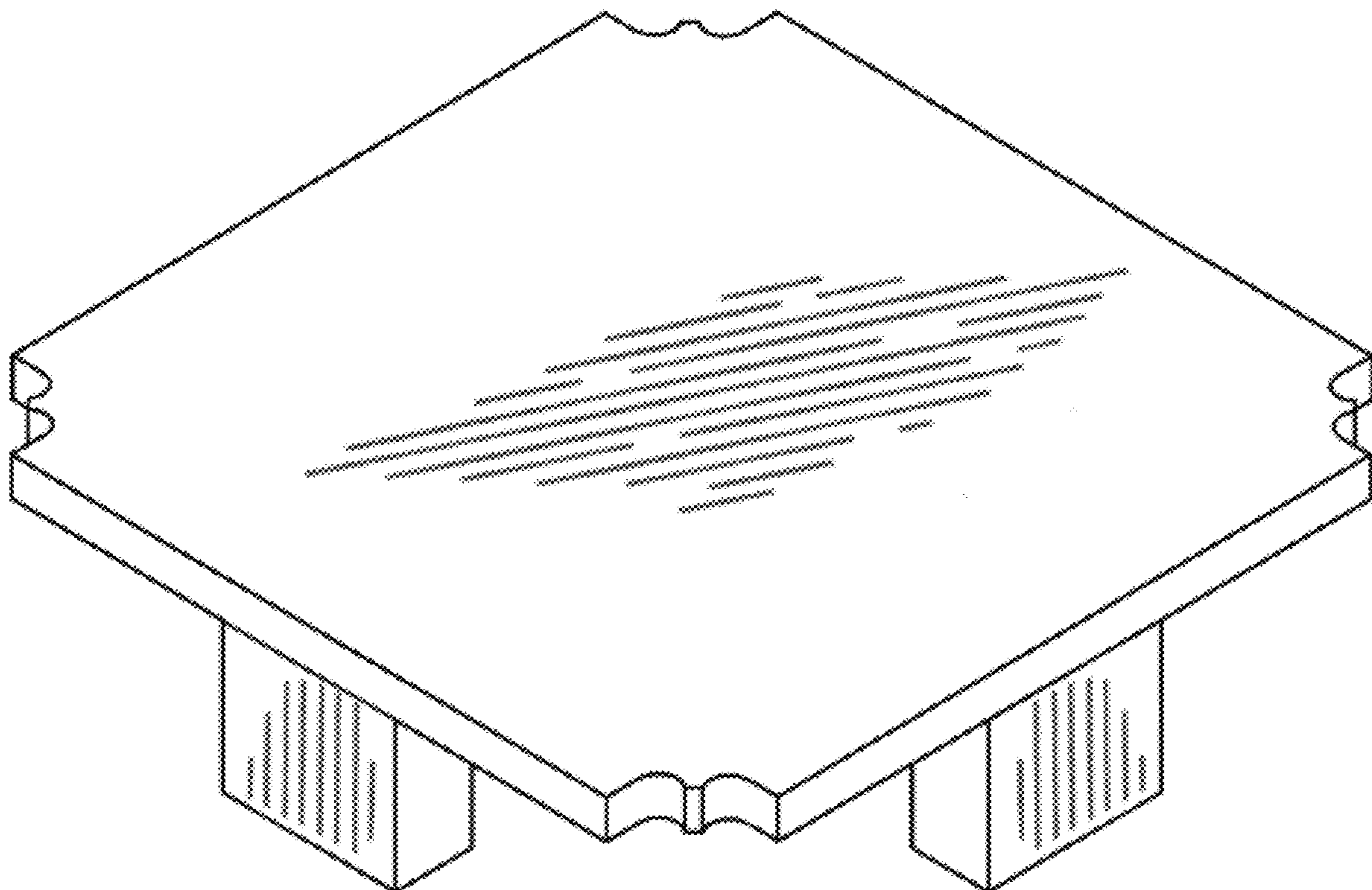
(57) **CLAIM**

The ornamental design for an electrical circuit component, as shown and described.

**DESCRIPTION**

FIG. 1 is an upper perspective view of the electrical circuit component of the present invention; FIG. 2 is a lower perspective view of the electrical circuit component of the present invention; FIG. 3 is a front elevational view of the electrical circuit component of the present invention; FIG. 4 is a rear elevational view of the electrical circuit component of the present invention; FIG. 5 is a left side elevational view of the electrical circuit component of the present invention; FIG. 6 is a right side elevational view of the electrical circuit component of the present invention; FIG. 7 is a top plan view of the electrical circuit component of the present invention; and, FIG. 8 is a bottom plan view of the electrical circuit component of the present invention.

**1 Claim, 4 Drawing Sheets**



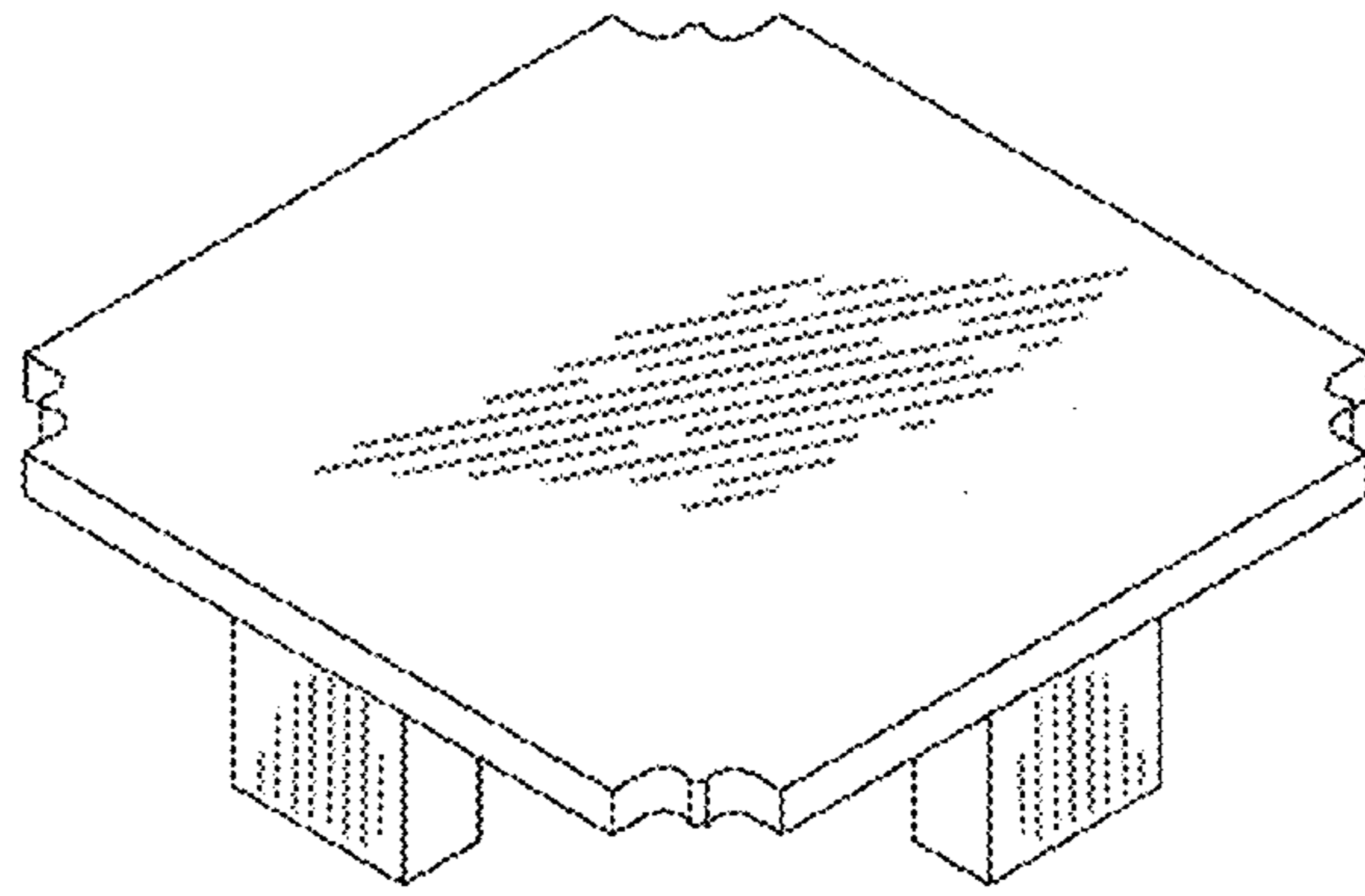


Fig. 1

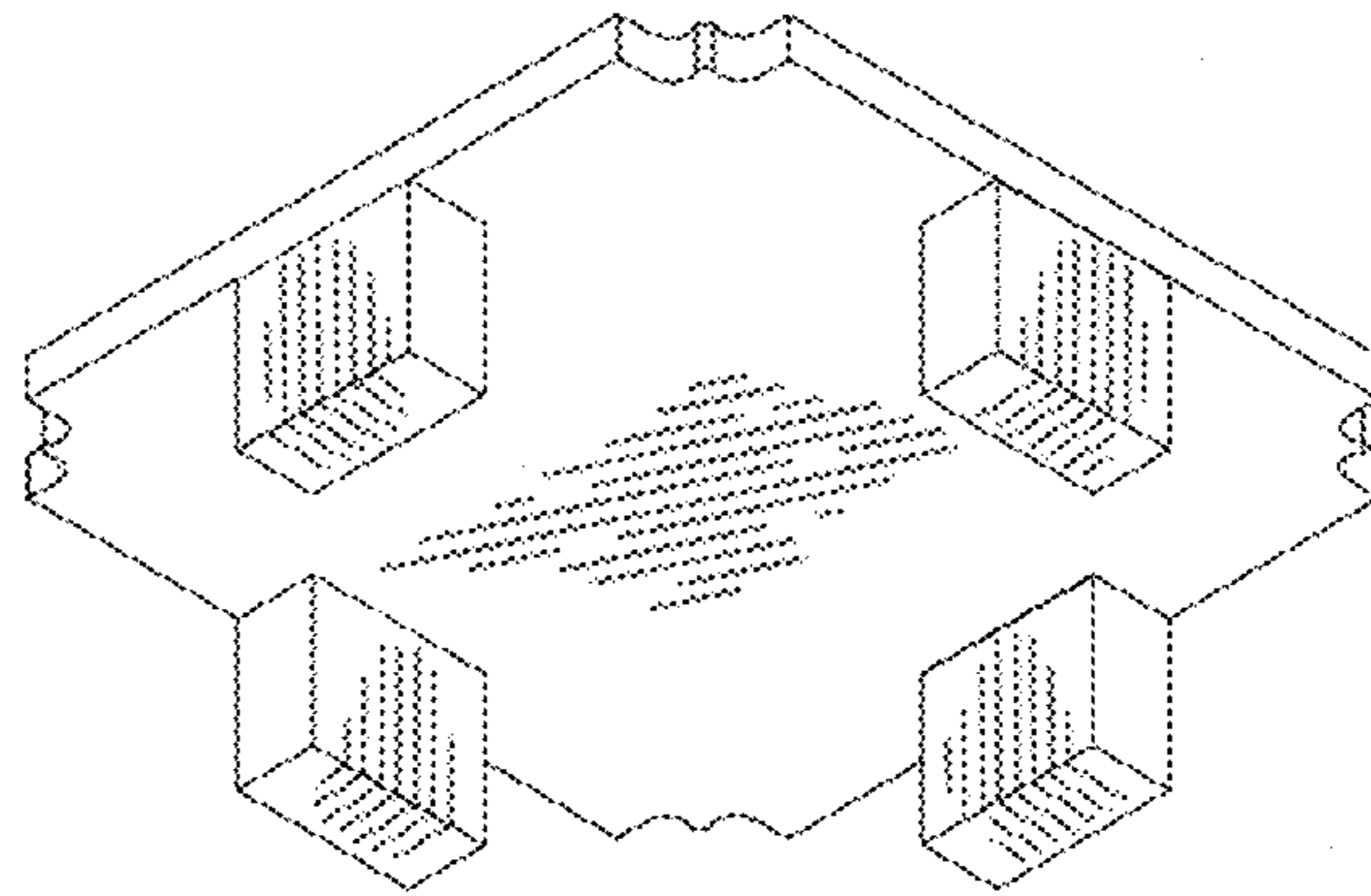


Fig. 2

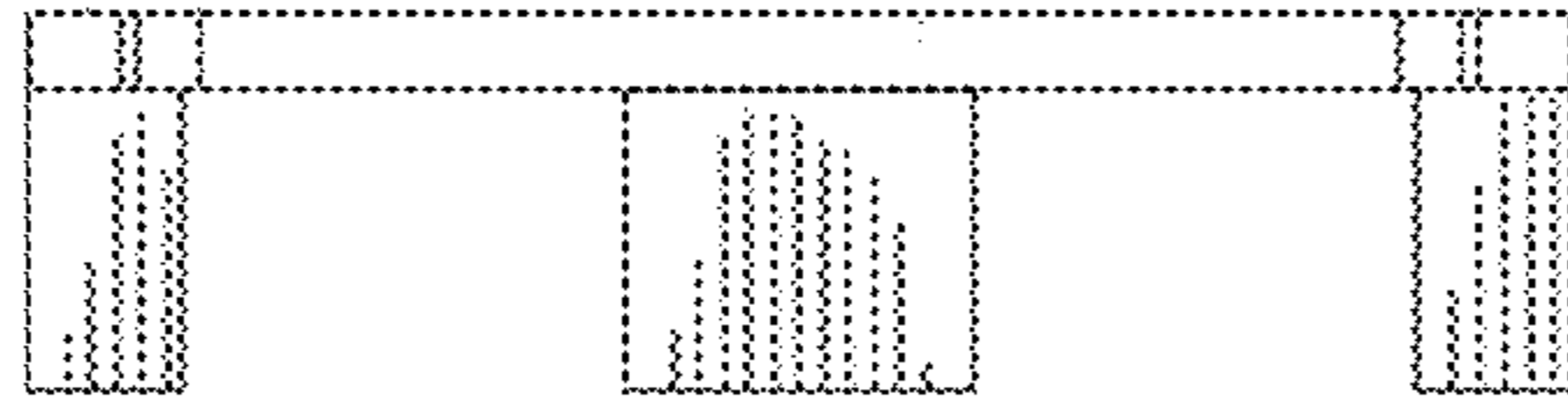


Fig. 3

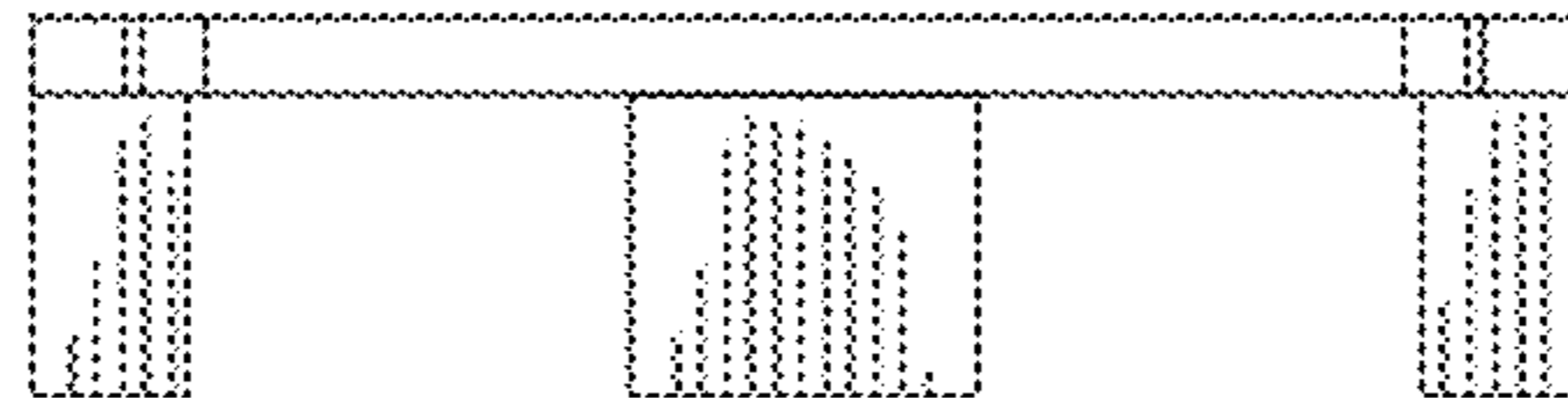


Fig. 4

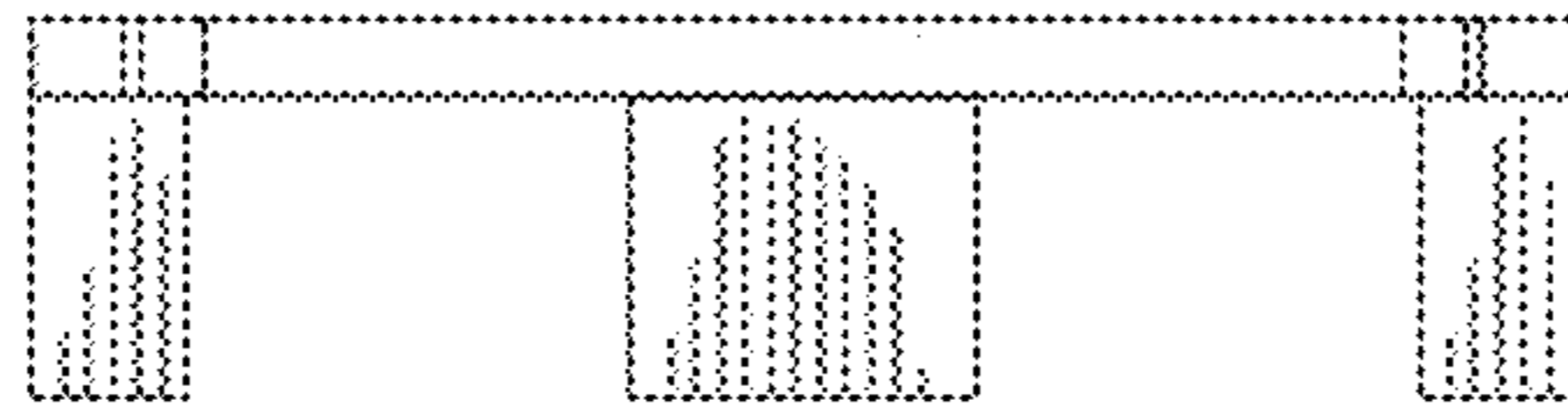


Fig. 5

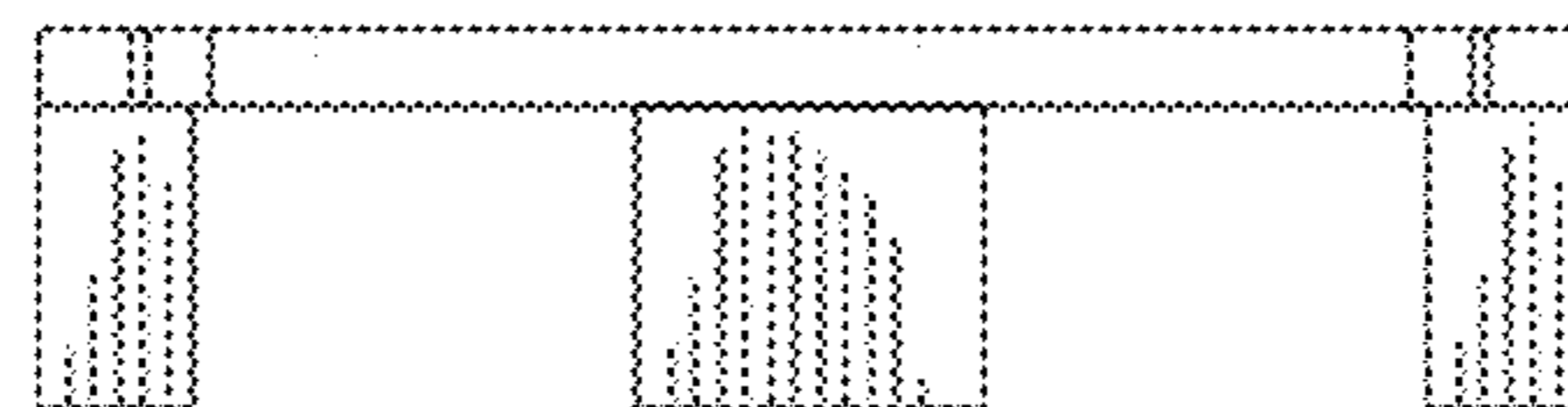


Fig. 6

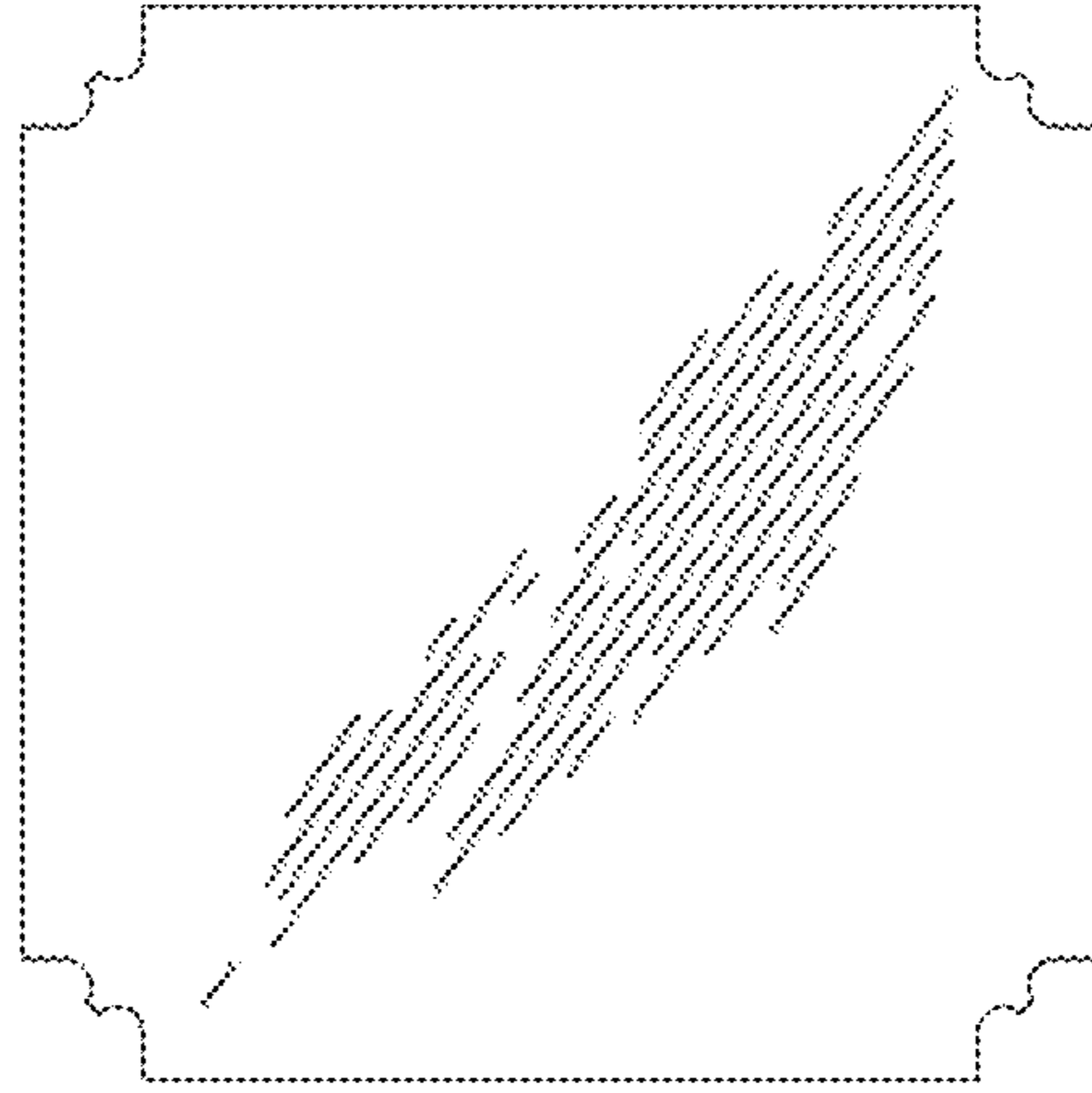


Fig. 7

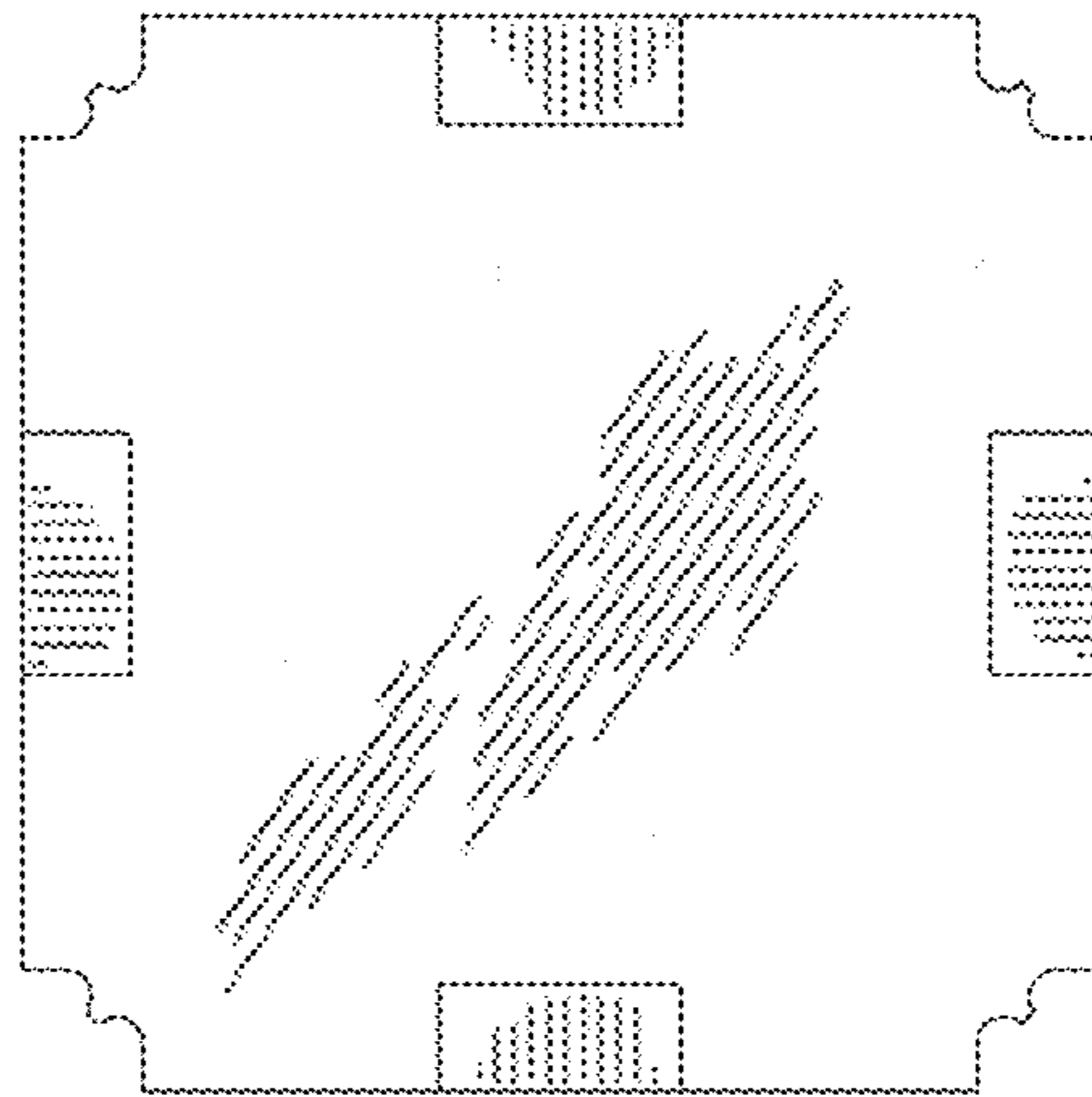


Fig. 8