



US00D928720S

(12) **United States Design Patent**
Wang

(10) **Patent No.:** **US D928,720 S**

(45) **Date of Patent:** **** Aug. 24, 2021**

(54) **SMART KEY READ HEAD NODE GROUP**

(71) Applicant: **Beijing Landwell Electron Technology Co., Ltd, Beijing (CN)**
(72) Inventor: **Bing Wang, Beijing (CN)**
(73) Assignee: **Beijing Landwell Electron Technology Co., Ltd, Beijing (CN)**

(**) Term: **15 Years**

(21) Appl. No.: **29/735,968**
(22) Filed: **May 27, 2020**

(30) **Foreign Application Priority Data**
Apr. 20, 2020 (CN) 202030162360.8
(51) **LOC (13) Cl.** **13-03**
(52) **U.S. Cl.**
USPC **D13/147**
(58) **Field of Classification Search**
USPC D13/101, 110, 118, 133, 134, 146, 147,
D13/154, 184, 199; D14/149, 432, 433
CPC H01R 9/05; H01R 12/04; H01R 12/62;
H01R 12/71; H01R 12/727; H01R
12/728; H01R 12/7076; H01R 12/7082;
H01R 13/05; H01R 13/20; H01R 13/24;
H01R 13/501; H01R 13/514
See application file for complete search history.

(56) **References Cited**

U.S. PATENT DOCUMENTS
D506,730 S * 6/2005 Ura D13/147
D578,066 S * 10/2008 So D13/133
D593,951 S * 6/2009 Yoon D13/147
D618,619 S * 6/2010 Walter D13/147
D652,386 S * 1/2012 Ozeki D13/147
D730,293 S * 5/2015 Wu D13/147

* cited by examiner

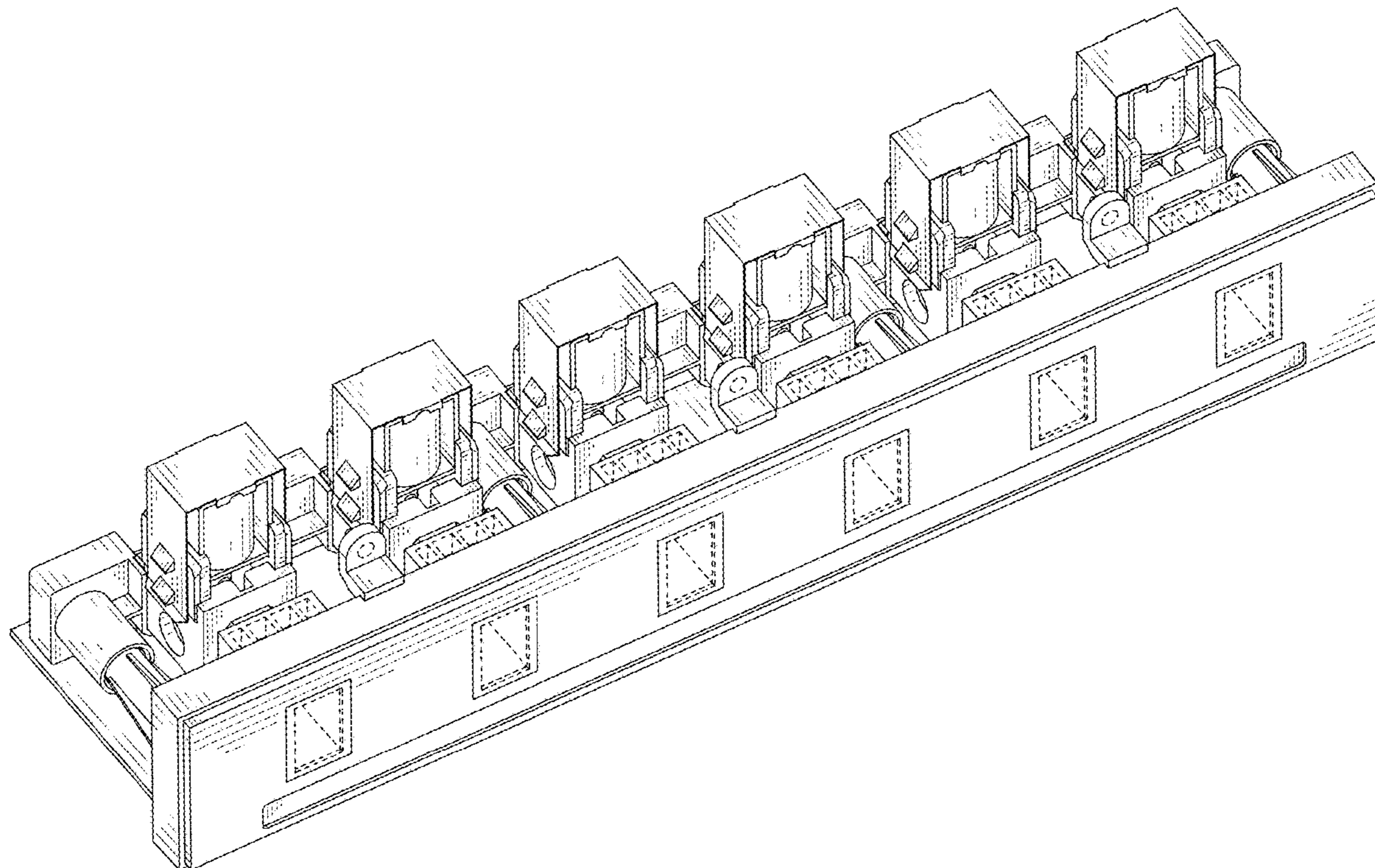
Primary Examiner — Derrick E Holland

(57) **CLAIM**
The ornamental design for a smart key read head node group, as shown and described.

DESCRIPTION

FIG. 1 is a top, front and left side perspective view of a smart key read head node group showing my new design; FIG. 2 is a top, rear and right side perspective view thereof; FIG. 3 is a bottom, rear and right side perspective view thereof; FIG. 4 is a front elevational view thereof; FIG. 5 is a rear elevational view thereof; FIG. 6 is a left side view thereof; FIG. 7 is a right side view thereof; FIG. 8 is a top plan view thereof; and, FIG. 9 is a bottom plan view thereof.
The broken lines in the drawings illustrate portions of the smart key read head node group which form no part of the claimed design.

1 Claim, 9 Drawing Sheets



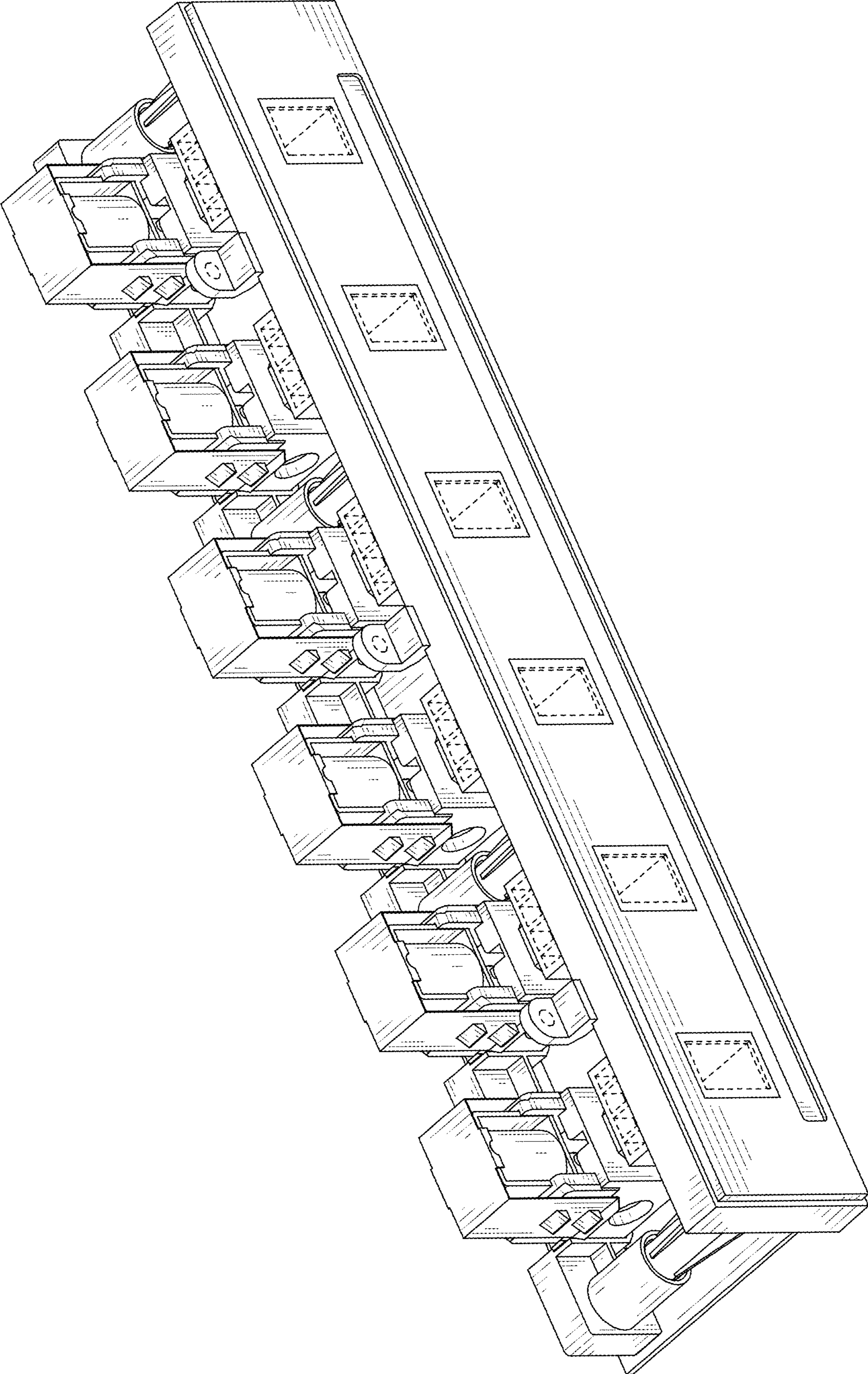


FIG. 1

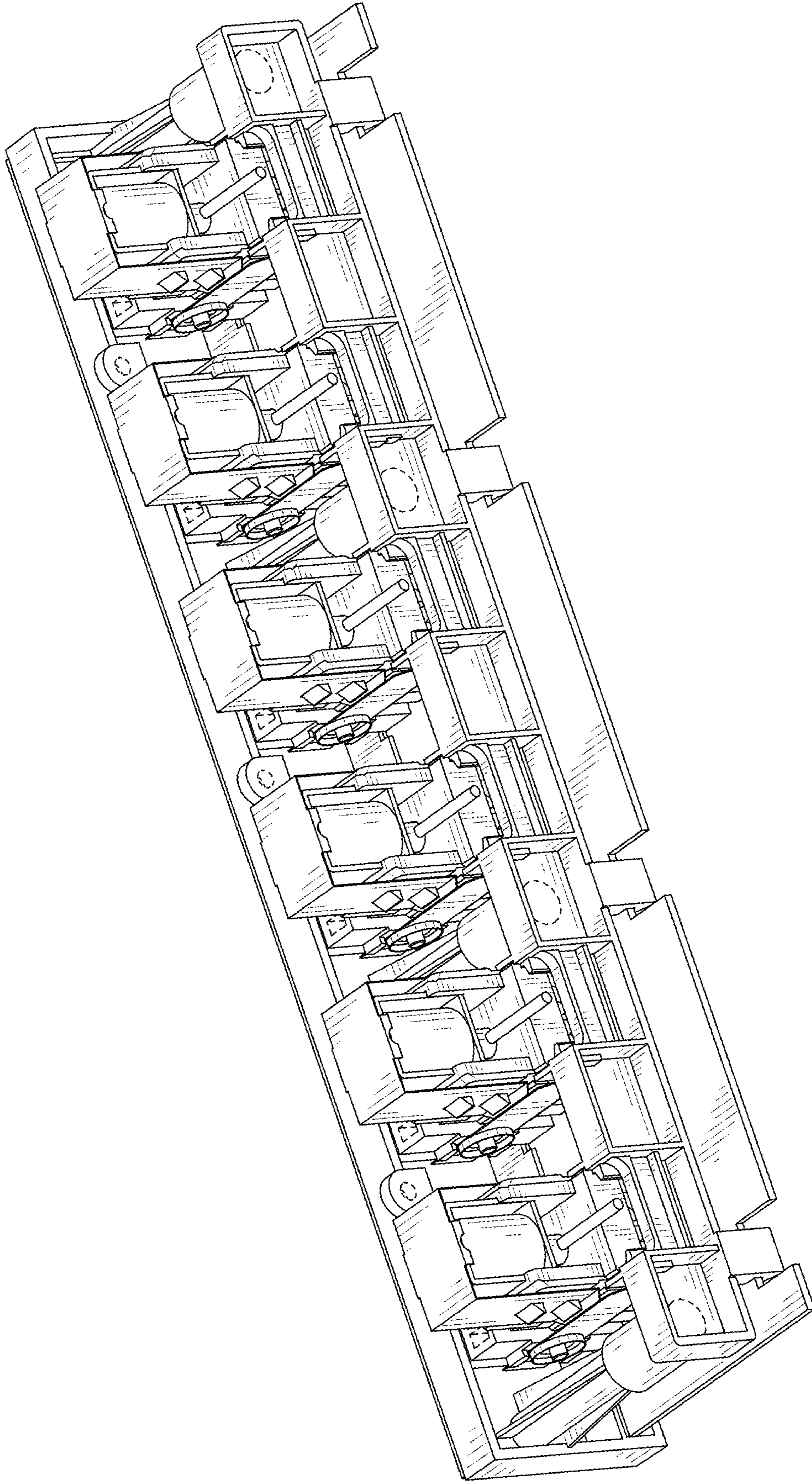


FIG. 2

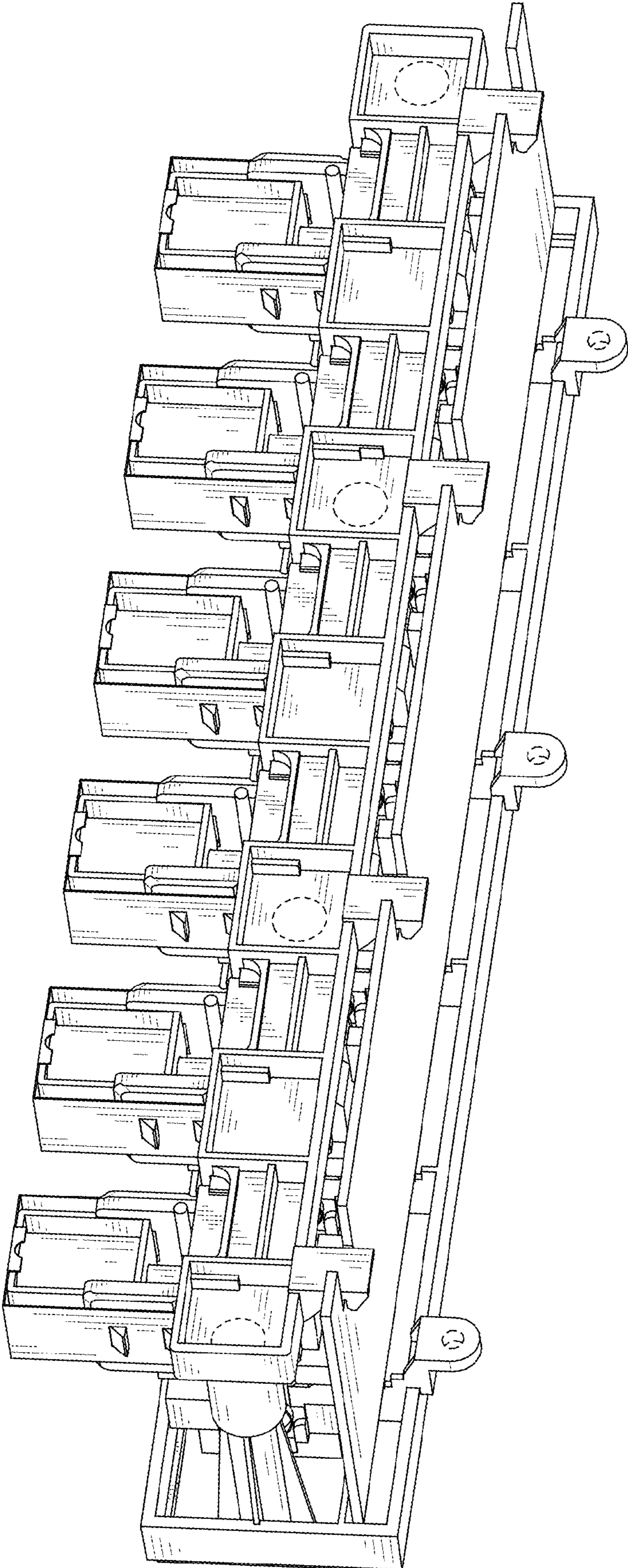


FIG. 3

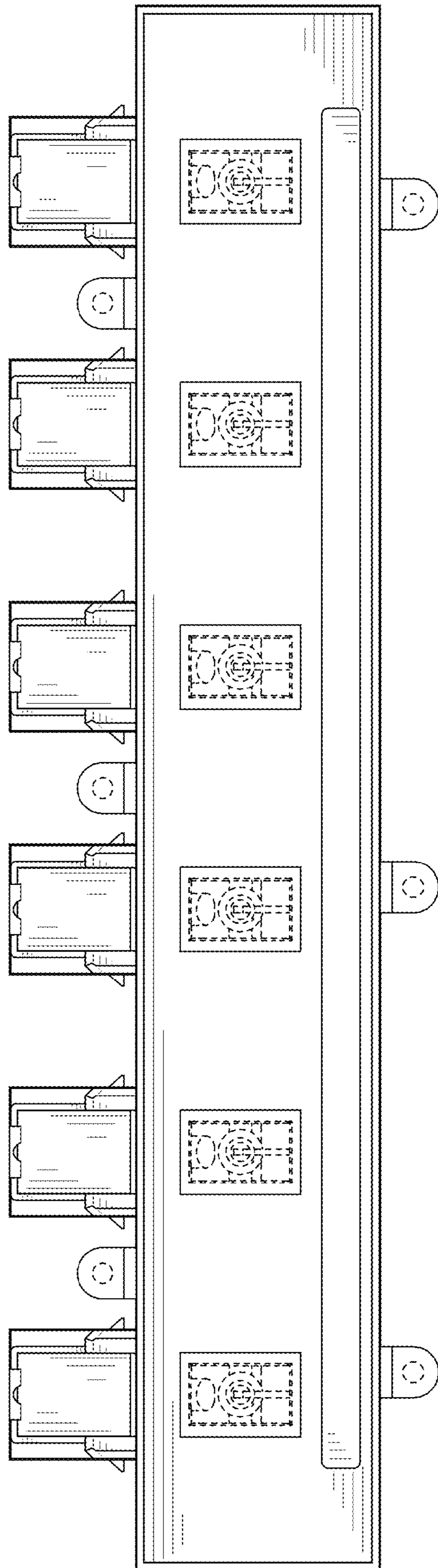


FIG. 4

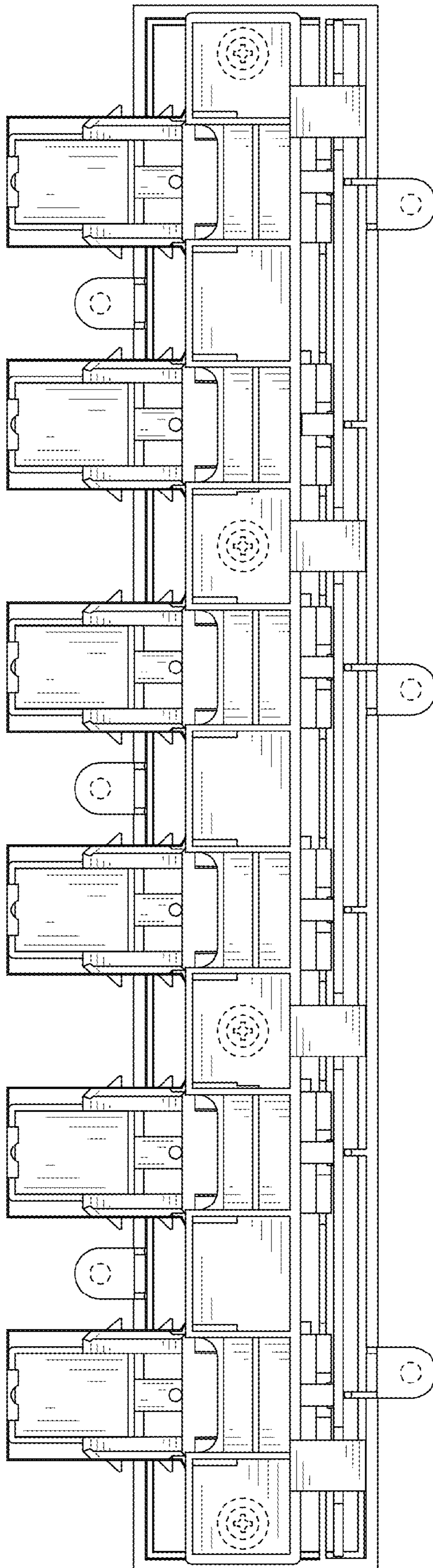


FIG. 5

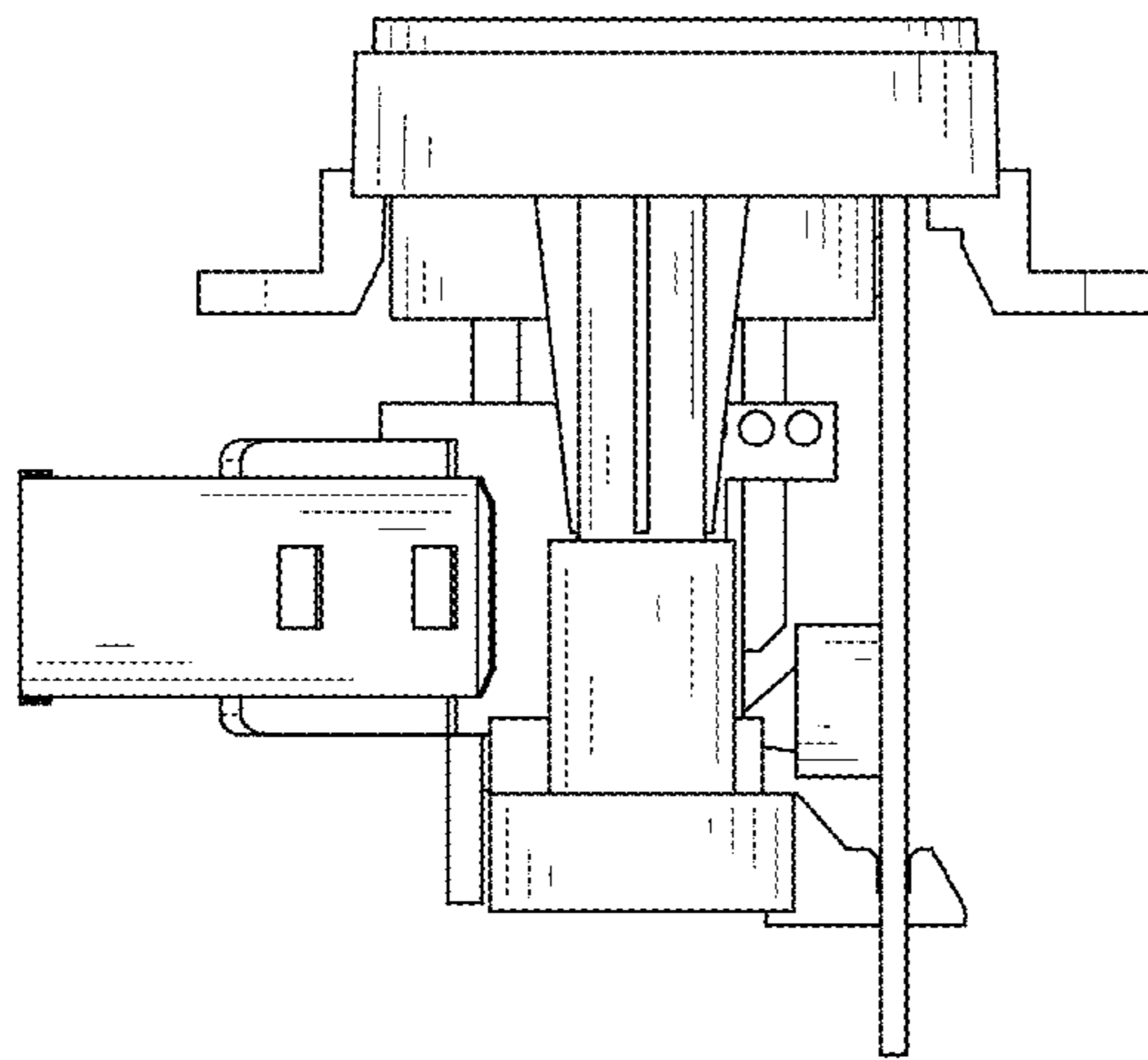


FIG. 6

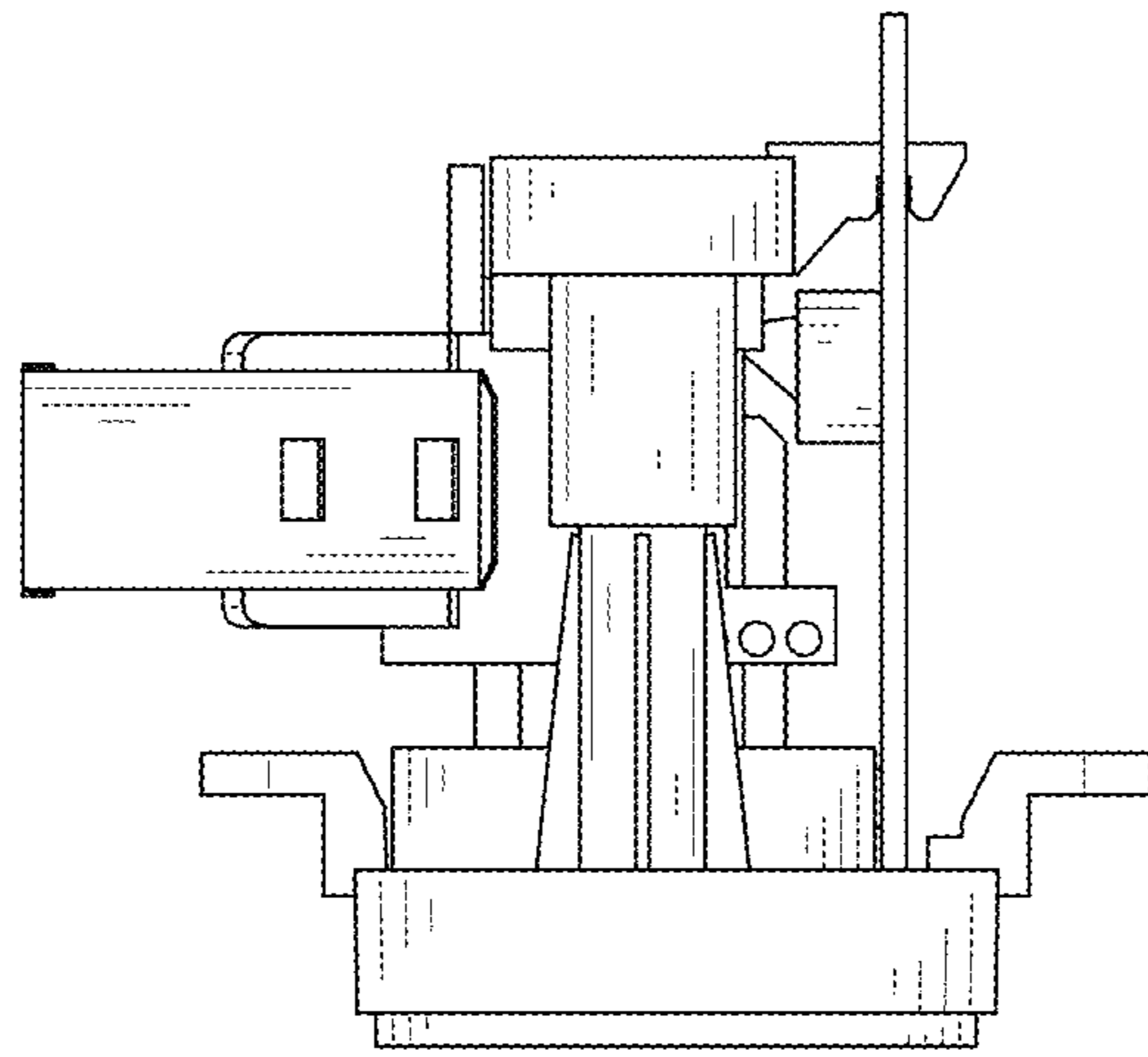


FIG. 7

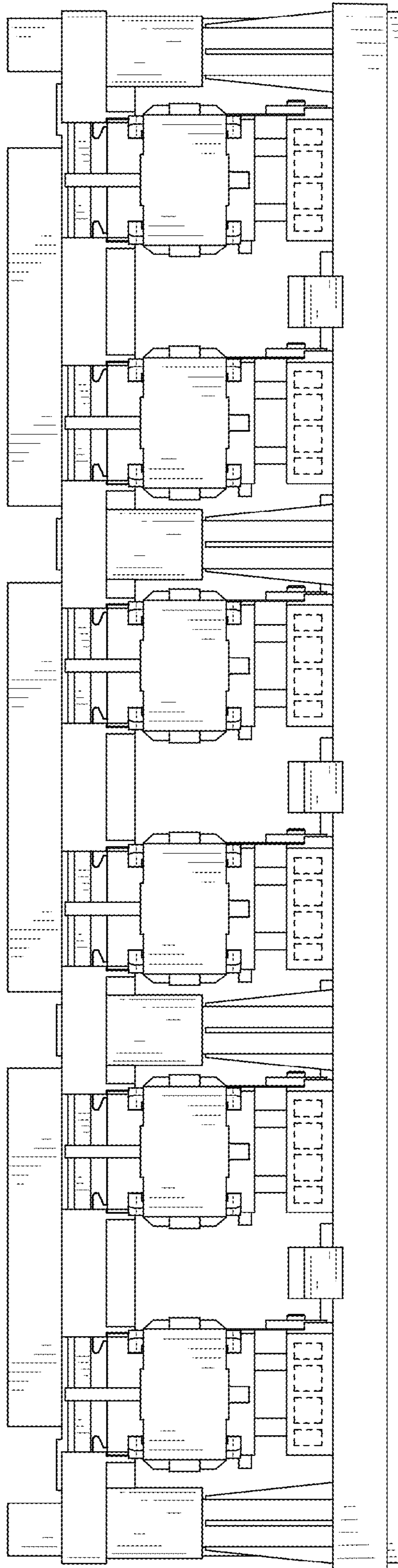


FIG. 8

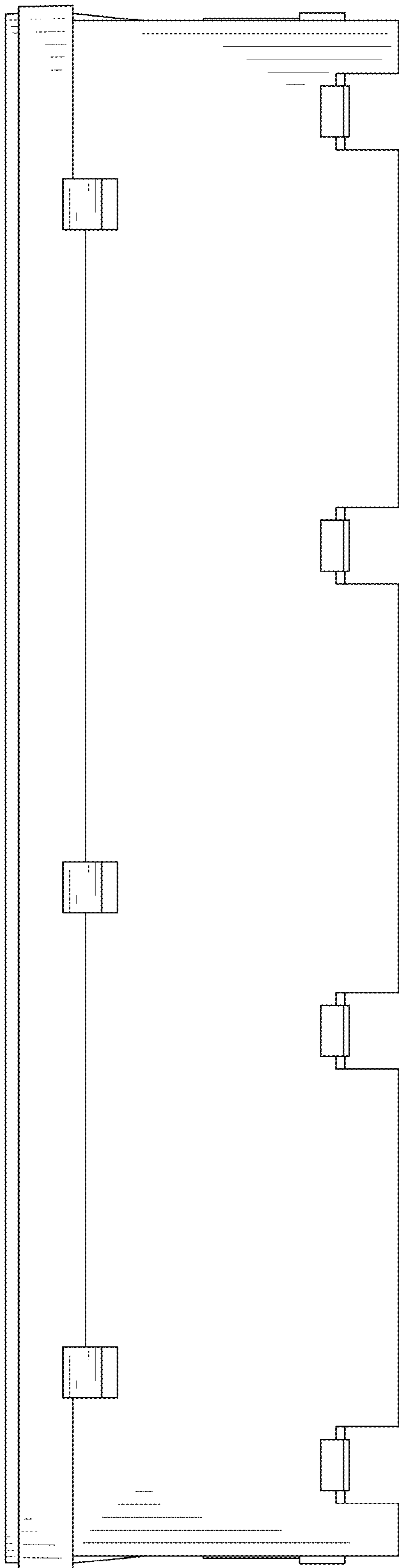


FIG. 9