



US00D928718S

(12) **United States Design Patent**  
**Shimoji**

(10) **Patent No.:** **US D928,718 S**

(45) **Date of Patent:** **\*\* Aug. 24, 2021**

(54) **CONNECTOR**

(71) Applicant: **Japan Aviation Electronics Industry, Limited**, Tokyo (JP)

(72) Inventor: **Kenichi Shimoji**, Tokyo (JP)

(73) Assignee: **JAPAN AVIATION ELECTRONICS INDUSTRY, LIMITED**, Tokyo (JP)

(\*\*) Term: **15 Years**

(21) Appl. No.: **29/731,706**

(22) Filed: **Apr. 17, 2020**

(30) **Foreign Application Priority Data**

Nov. 1, 2019 (JP) ..... 2019-024456

(51) **LOC (13) Cl.** ..... **13-03**

(52) **U.S. Cl.**  
USPC ..... **D13/147**

(58) **Field of Classification Search**  
USPC ..... D13/101, 110, 118, 133, 134, 146, 147,  
D13/154, 184, 199; D14/149, 432, 433  
CPC ..... H01R 9/05; H01R 12/04; H01R 12/62;  
H01R 12/71; H01R 12/727; H01R  
12/728; H01R 12/7076; H01R 12/7082;  
H01R 13/05; H01R 13/20; H01R 13/24;  
H01R 13/501; H01R 13/514  
See application file for complete search history.

(56) **References Cited**

**U.S. PATENT DOCUMENTS**

5,888,077 A \* 3/1999 Champion ..... H01R 12/7088  
439/108  
D442,917 S \* 5/2001 Wu ..... D13/147  
D506,730 S \* 6/2005 Ura ..... D13/147  
7,354,300 B2 \* 4/2008 Shindo ..... H01R 13/648  
439/497

D652,386 S \* 1/2012 Ozeki ..... D13/147  
D739,825 S \* 9/2015 Omodachi ..... D13/147  
9,761,975 B1 \* 9/2017 Wang ..... H01R 12/716  
D852,752 S \* 7/2019 Uchida ..... D13/147  
D869,465 S \* 12/2019 Fang ..... D14/433  
2012/0289093 A1 \* 11/2012 Ogura ..... H01R 12/88  
439/629  
2015/0270641 A1 \* 9/2015 Omodachi ..... H01R 13/629  
439/374

\* cited by examiner

*Primary Examiner* — Derrick E Holland

(74) *Attorney, Agent, or Firm* — Manabu Kanesaka

(57) **CLAIM**

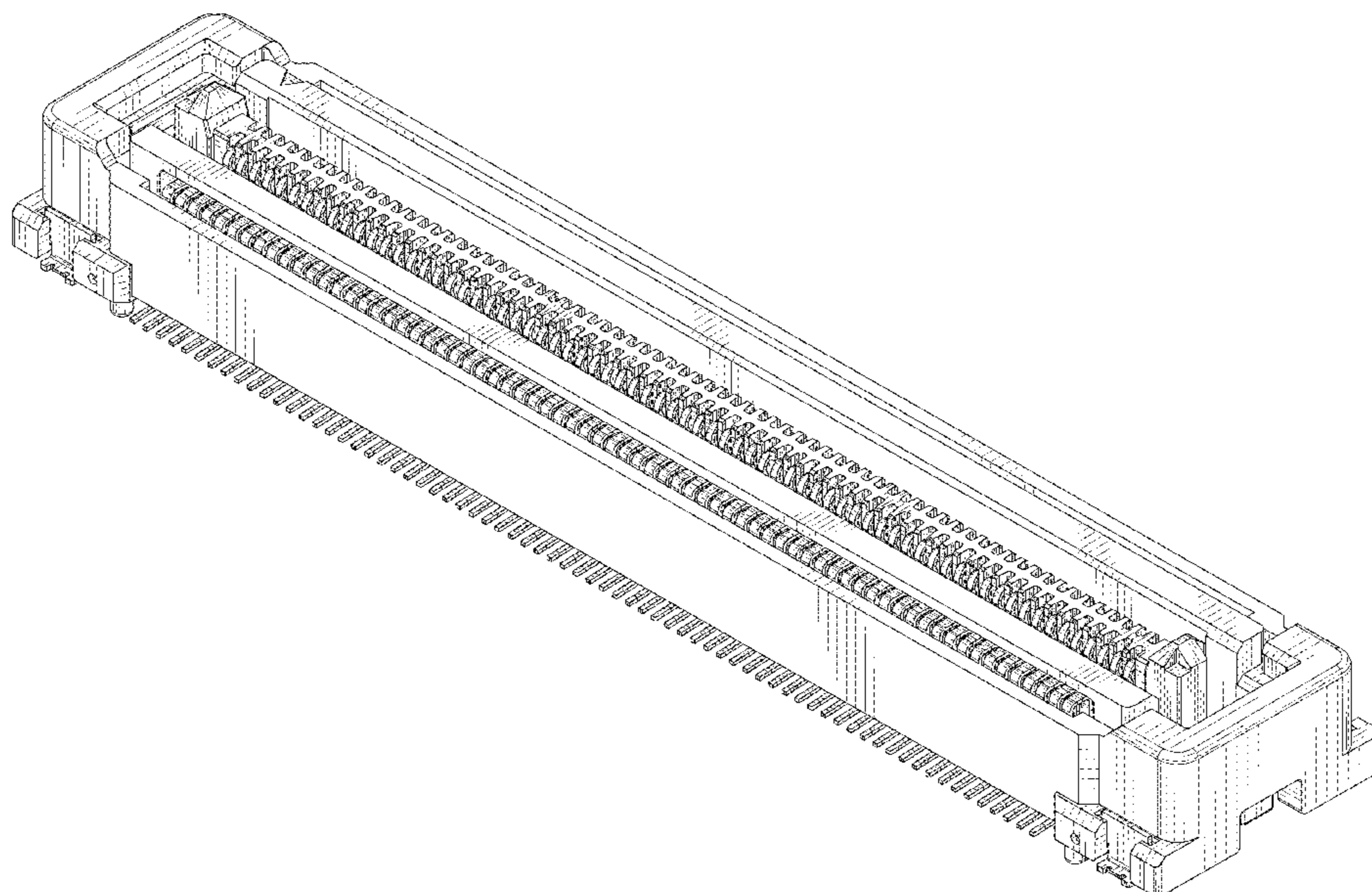
The ornamental design for a connector, as shown and described.

**DESCRIPTION**

FIG. 1 is a front elevational view of a connector showing my new design;  
FIG. 2 is a rear elevational view thereof;  
FIG. 3 is a right side elevational view thereof;  
FIG. 4 is a left side elevational view thereof;  
FIG. 5 is a top plan view thereof;  
FIG. 6 is a bottom plan view thereof;  
FIG. 7 is a perspective view showing a front, top and right side thereof;  
FIG. 8 is a perspective view showing a rear, bottom and left side thereof;  
FIG. 9 is a perspective view showing a front, right and bottom side thereof; and,  
FIG. 10 is a perspective view showing a rear, left and top side thereof.

The broken line showing of the connector is for the purpose of illustrating portions of the article and forms no part of the claimed design.

**1 Claim, 7 Drawing Sheets**



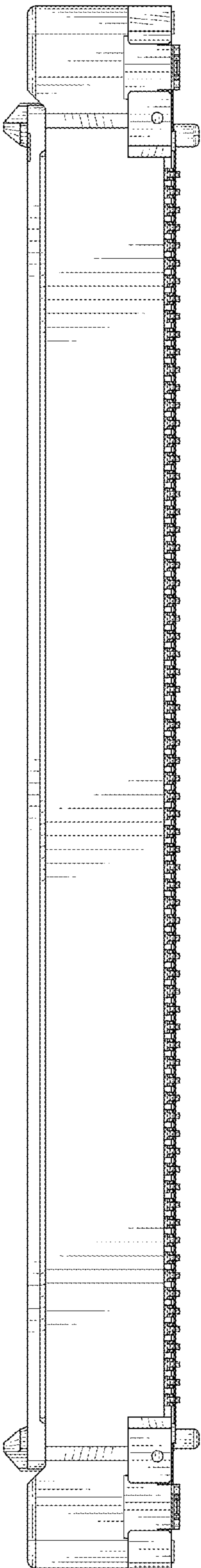


FIG. 1

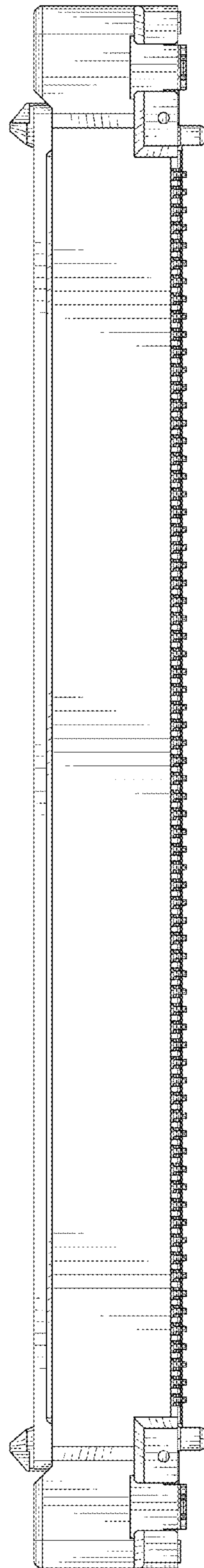


FIG. 2

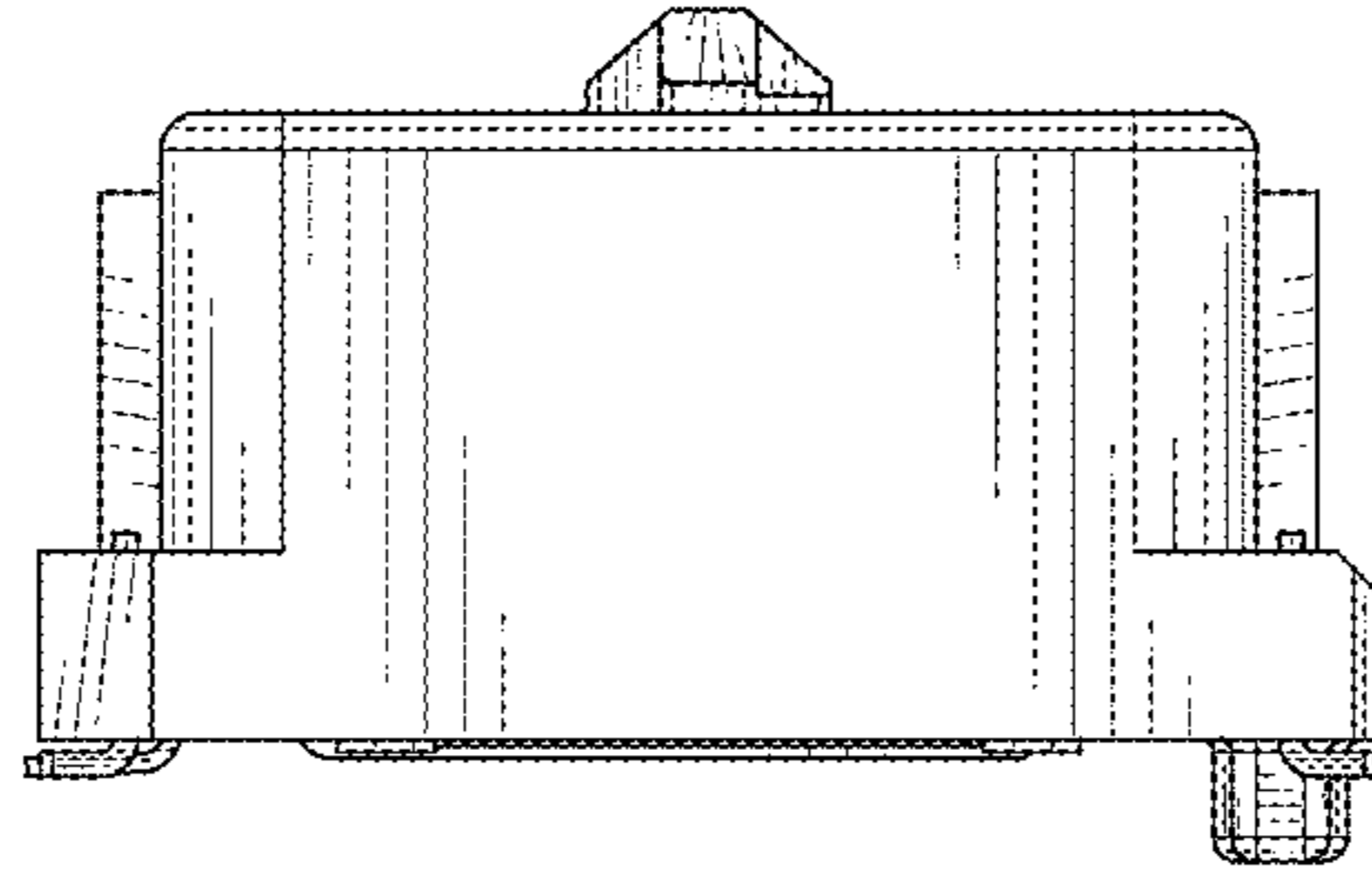


FIG. 3

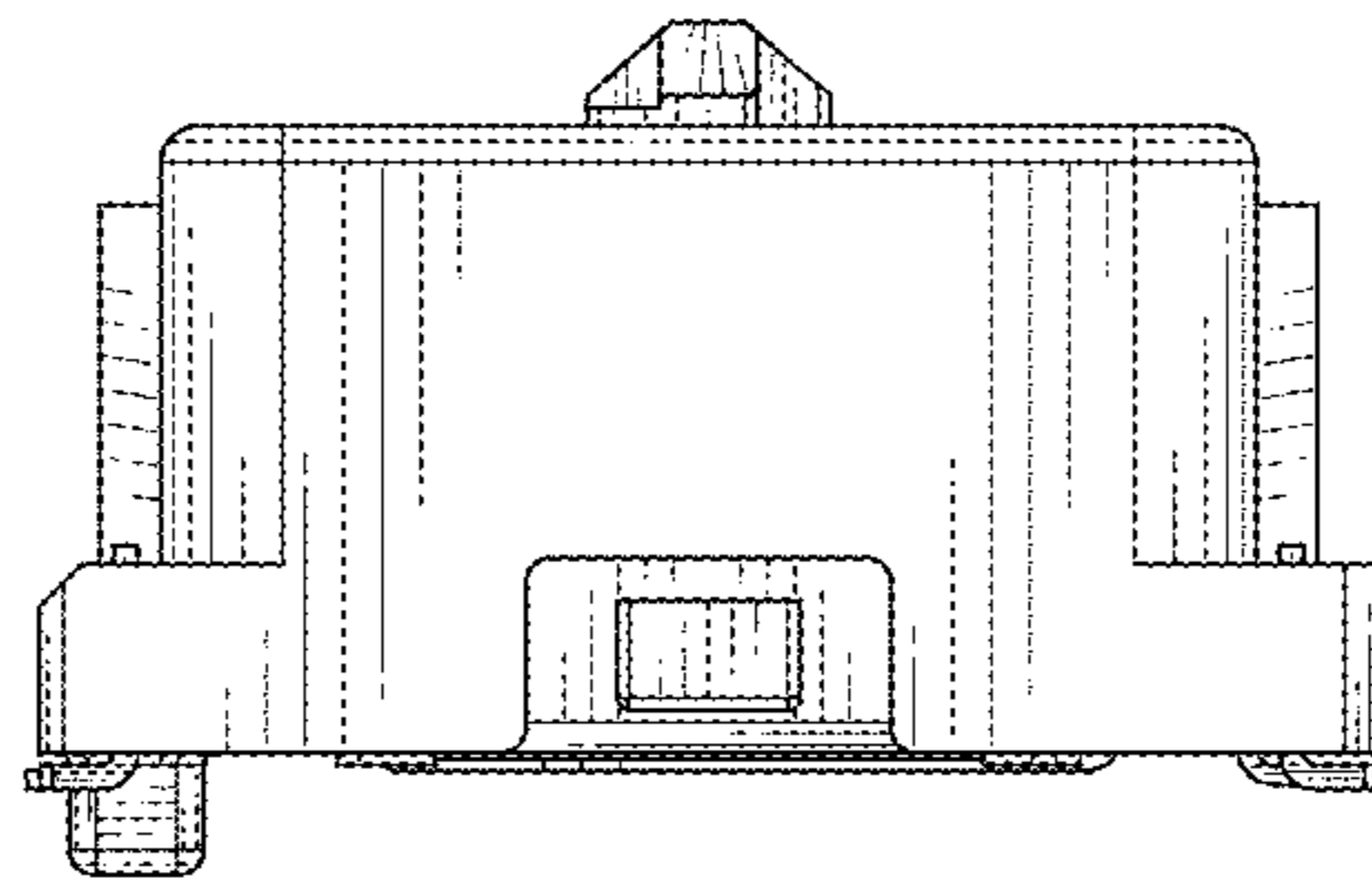


FIG. 4

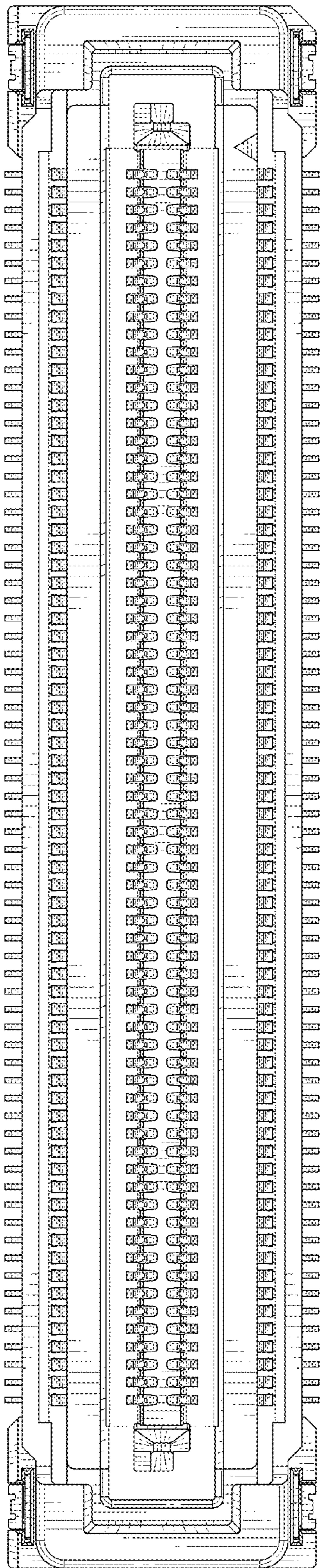


FIG. 5

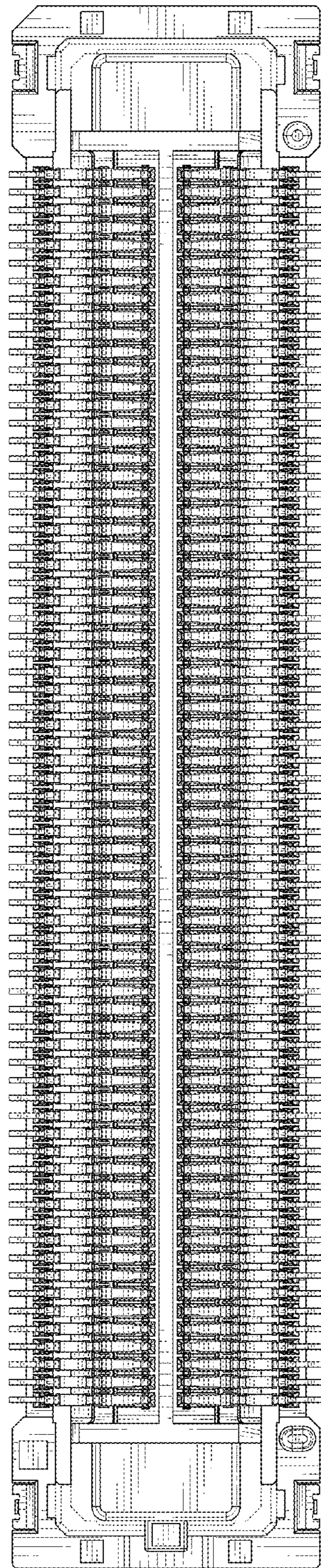


FIG. 6

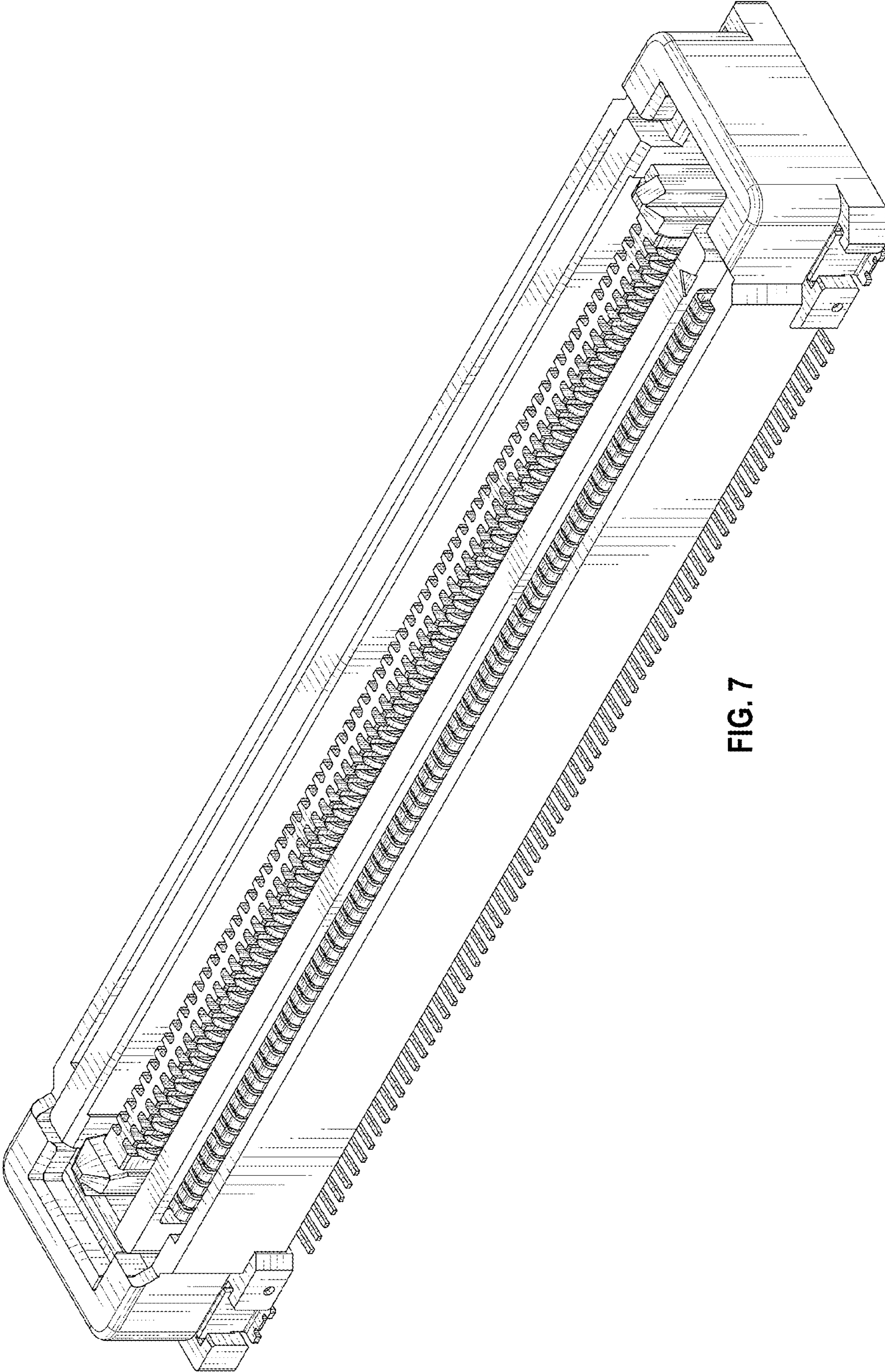


FIG. 7

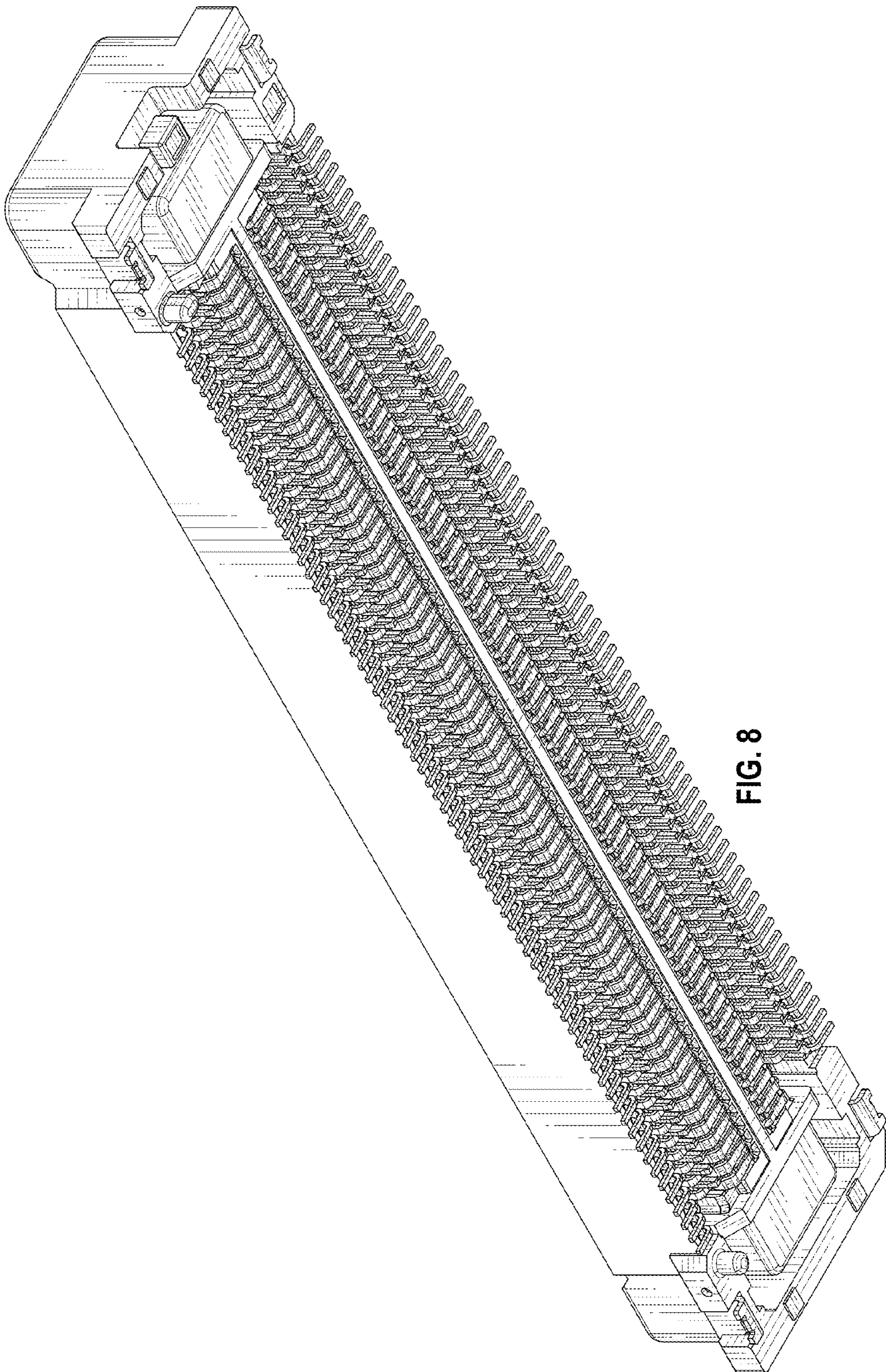


FIG. 8

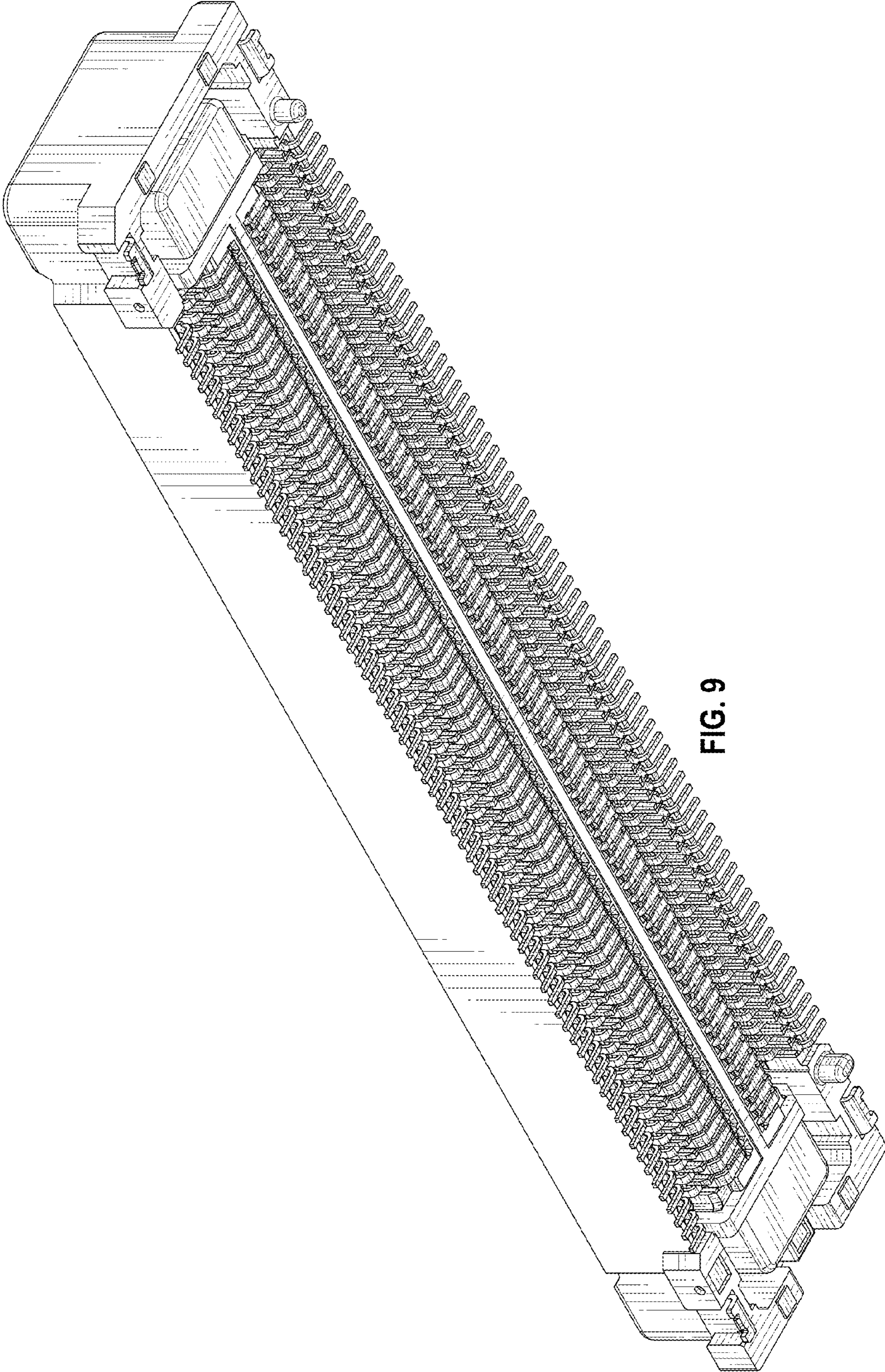


FIG. 9

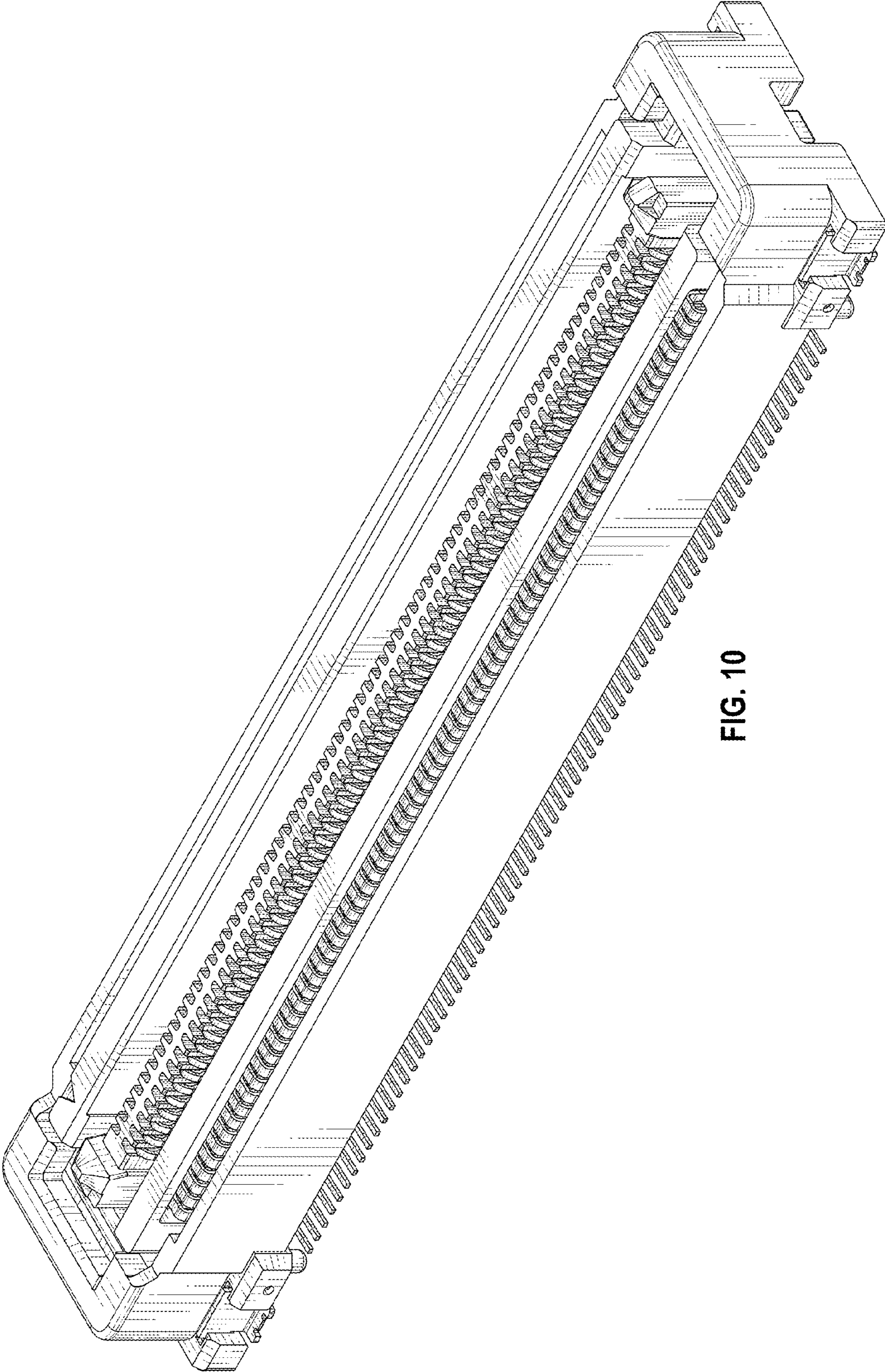


FIG. 10