



US00D928712S

(12) **United States Design Patent** (10) **Patent No.:** **US D928,712 S**
Cheung et al. (45) **Date of Patent:** **** *Aug. 24, 2021**

(54) **ADAPTER**
(71) Applicant: **JUUL Labs, Inc.**, San Francisco, CA (US)

D563,885 S 3/2008 Dever
D576,619 S 9/2008 Udagawa et al.
D579,880 S 11/2008 Birmingham et al.
D601,500 S * 10/2009 Green D13/110
(Continued)

(72) Inventors: **Brandon Cheung**, San Francisco, CA (US); **Kevin Lomeli**, San Francisco, CA (US); **Claire O'Malley**, San Francisco, CA (US)

FOREIGN PATENT DOCUMENTS

CN 202004499 U 10/2011
RU 2013503569 4/2015
(Continued)

(73) Assignee: **JUUL Labs, Inc.**, San Francisco, CA (US)

OTHER PUBLICATIONS

(*) Notice: This patent is subject to a terminal disclaimer.

Ovns USB Charger for Juul Vape Pod Kit, May 17, 2018, www.vaporl.com/ovns-usb-charger-for-juul-vape-pod-kit.html.

(Continued)

(**) Term: **15 Years**

Primary Examiner — Rhea Shields

(21) Appl. No.: **29/673,916**

(74) *Attorney, Agent, or Firm* — Mintz Levin Cohn Ferris Glovsky and Popeo, P.C.

(22) Filed: **Dec. 18, 2018**

(51) **LOC (13) Cl.** **13-03**

(52) **U.S. Cl.**
USPC **D13/137.2**

(57) **CLAIM**

The ornamental design for an adapter, as shown and described.

(58) **Field of Classification Search**
USPC D13/137.1–137.3, 103, 108, 110, 147;
D12/400
CPC H01R 13/44
See application file for complete search history.

DESCRIPTION

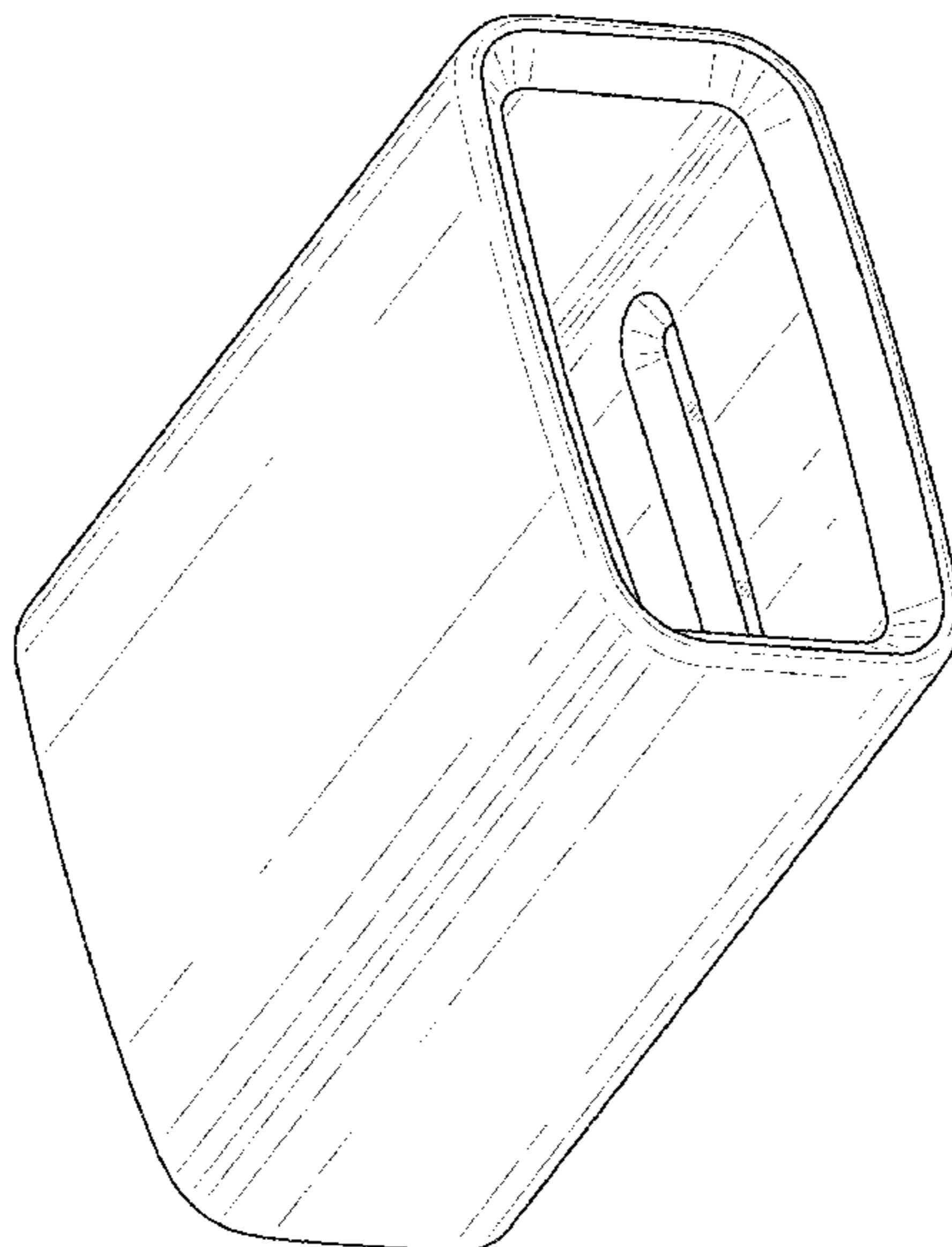
FIG. 1 is a top, front, and right side perspective view of an adapter of our design;
FIG. 2 is a top and rear perspective view thereof;
FIG. 3 is a top, rear, and right side perspective view thereof;
FIG. 4 is a bottom, front, and left side perspective view thereof;
FIG. 5 is a top view thereof;
FIG. 6 is a bottom view thereof;
FIG. 7 is a left side view thereof;
FIG. 8 is a right side view thereof;
FIG. 9 is a front view thereof; and,
FIG. 10 is a rear view thereof.
The broken lines illustrate portions of the adapter that form no part of the claimed design.

(56) **References Cited**

U.S. PATENT DOCUMENTS

D446,499 S * 8/2001 Andre D13/110
D491,530 S * 6/2004 Yang D13/147
6,743,030 B2 6/2004 Lin et al.
7,019,491 B2 3/2006 Bozzone et al.
D521,445 S 5/2006 Liu
D534,921 S 1/2007 Andre et al.
D535,308 S 1/2007 Andre et al.
7,214,075 B2 5/2007 He et al.
7,275,941 B1 10/2007 Bushby

1 Claim, 6 Drawing Sheets



(56)

References Cited

U.S. PATENT DOCUMENTS

D631,883 S 2/2011 Maier
 D631,885 S 2/2011 Maier
 D643,807 S 8/2011 Jiang
 D645,817 S 9/2011 Sasada et al.
 D648,726 S 11/2011 Behar et al.
 8,113,855 B2* 2/2012 Green H01R 13/44
 439/131
 D663,267 S * 7/2012 Kim D13/110
 D681,551 S * 5/2013 Zaslavsky D13/110
 D684,538 S 6/2013 Akana et al.
 D693,768 S * 11/2013 Alesi D13/110
 D703,616 S 4/2014 Akana et al.
 D704,629 S 5/2014 Liu
 D704,634 S 5/2014 Eidelman et al.
 D705,719 S 5/2014 Wong
 8,973,587 B2 3/2015 Liu
 D729,277 S 5/2015 Uchida
 D733,142 S 6/2015 Solomon et al.
 D740,751 S * 10/2015 Akana D13/110
 D743,895 S 11/2015 Akana et al.
 D746,780 S * 1/2016 Akana D13/147
 D747,722 S 1/2016 Webb
 D749,510 S 2/2016 Liu
 D760,645 S 7/2016 Chen
 9,413,180 B2 8/2016 Liu
 D768,068 S 10/2016 Chen
 D770,456 S 11/2016 Akana et al.
 D774,001 S 12/2016 Akana et al.
 D776,270 S 1/2017 Wilcox et al.
 9,609,893 B2 4/2017 Novak, III et al.
 9,648,908 B1 5/2017 Rinehart et al.
 D790,463 S 6/2017 Lal
 D790,465 S * 6/2017 Zhao D13/110
 9,681,688 B1 6/2017 Rinehart et al.
 9,723,877 B2 8/2017 Wong et al.
 D814,471 S 4/2018 Kim et al.
 D842,238 S * 3/2019 Qiu D13/103
 D849,996 S * 5/2019 Duque D27/194
 D865,639 S * 11/2019 Adams, III D12/400
 D867,302 S 11/2019 Zhu et al.
 D874,403 S 2/2020 Canizares et al.

D876,441 S 2/2020 Boehmer et al.
 D879,044 S * 3/2020 Fan D13/137.2
 RE47,994 E * 5/2020 Bowen D13/108
 2006/0288169 A1 12/2006 Steiner
 2007/0229025 A1 10/2007 Tsai et al.
 2008/0003841 A1 1/2008 Su et al.
 2012/0188687 A1 7/2012 Yamamoto
 2012/0252231 A1 10/2012 Kall
 2013/0323941 A1 12/2013 Zelif et al.
 2013/0328484 A1 12/2013 Villarreal et al.
 2014/0014124 A1 1/2014 Glasberg et al.
 2014/0053857 A1 2/2014 Liu
 2015/0020831 A1 1/2015 Weigensberg et al.
 2015/0128972 A1 5/2015 Verleur et al.
 2015/0128977 A1 5/2015 Li et al.
 2015/0237918 A1 8/2015 Liu
 2016/0021771 A1 1/2016 Zhang et al.
 2016/0278436 A1 9/2016 Verleur et al.
 2016/0345626 A1 12/2016 Wong et al.
 2016/0374395 A1 12/2016 Jordan et al.
 2017/0095002 A1 4/2017 Silvestrini
 2017/0156404 A1 6/2017 Novak, III et al.
 2017/0229888 A1 8/2017 Liu
 2018/0027878 A1 2/2018 Dendy et al.

FOREIGN PATENT DOCUMENTS

TW D178363 9/2016
 WO WO-2013113174 A1 8/2013
 WO WO-2014008646 A1 1/2014
 WO WO-2015073564 A1 5/2015
 WO WO-2015100361 A1 7/2015

OTHER PUBLICATIONS

User Manual Fitbix Flex: "User Manual", Aug. 6, 2017, retrieved from the internet: https://staticcs.fitbit.com/content/assets/help/manuals/manual_flex_en_US.pdf [retrieved Feb. 17, 2020] pp. 1-8.
 User Manual Fitbix Flex: "User Manual", Jan. 6, 2018, retrieved from the internet: https://staticcs.fitbit.com/content/assets/help/manuals/manual_blaze_en_US.pdf [retrieved Feb. 17, 2020].

* cited by examiner

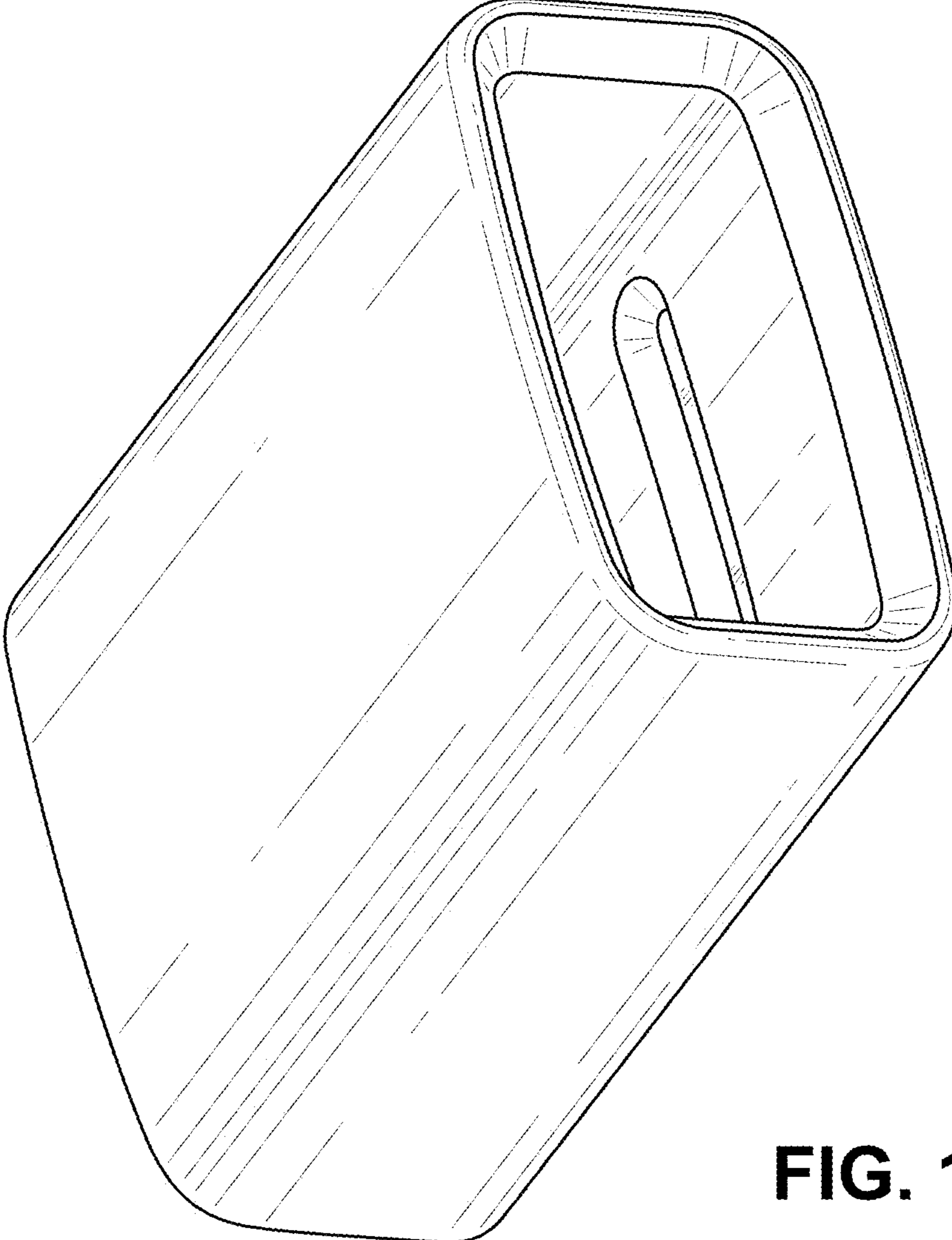


FIG. 1

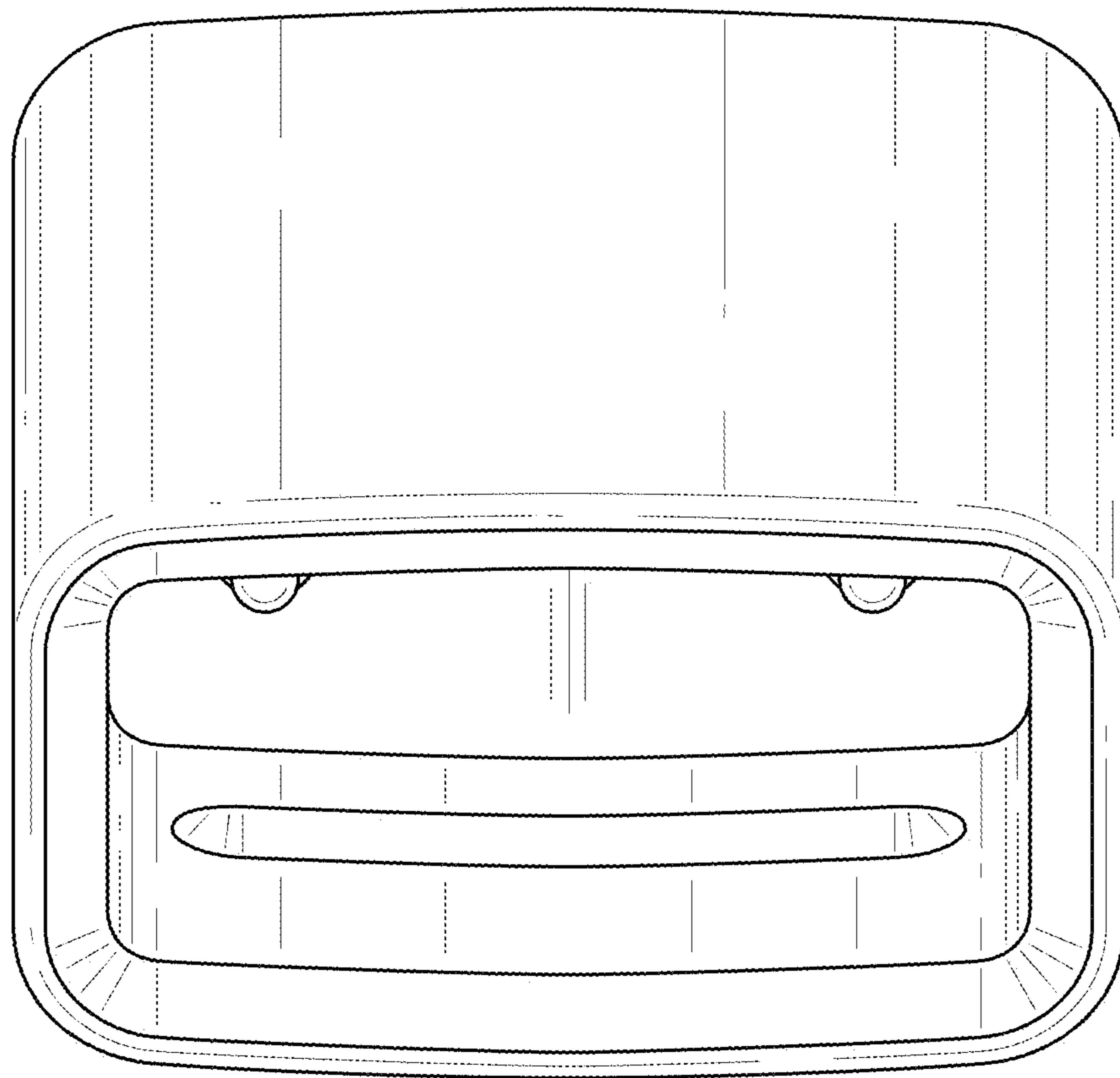


FIG. 2

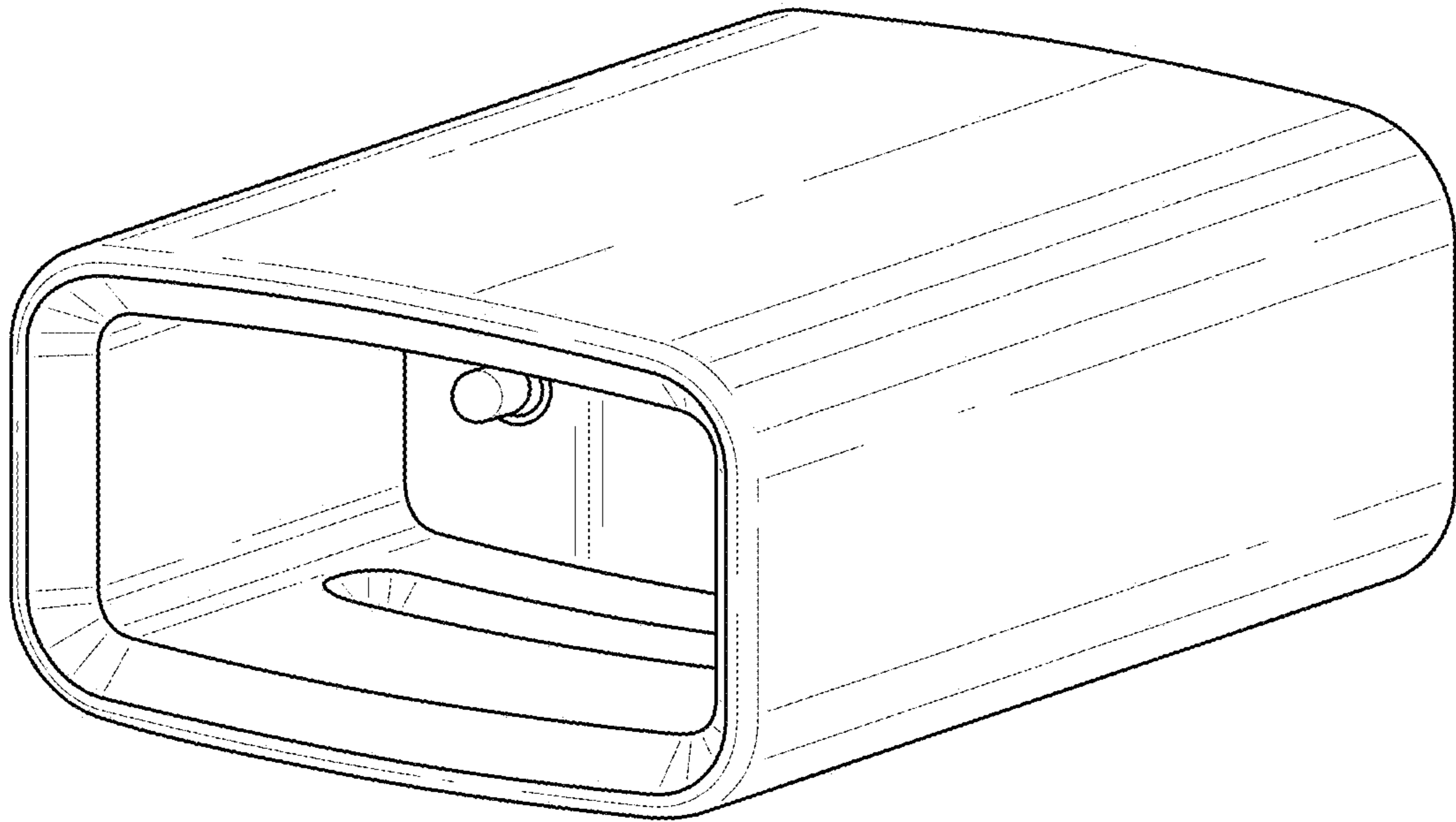


FIG. 3

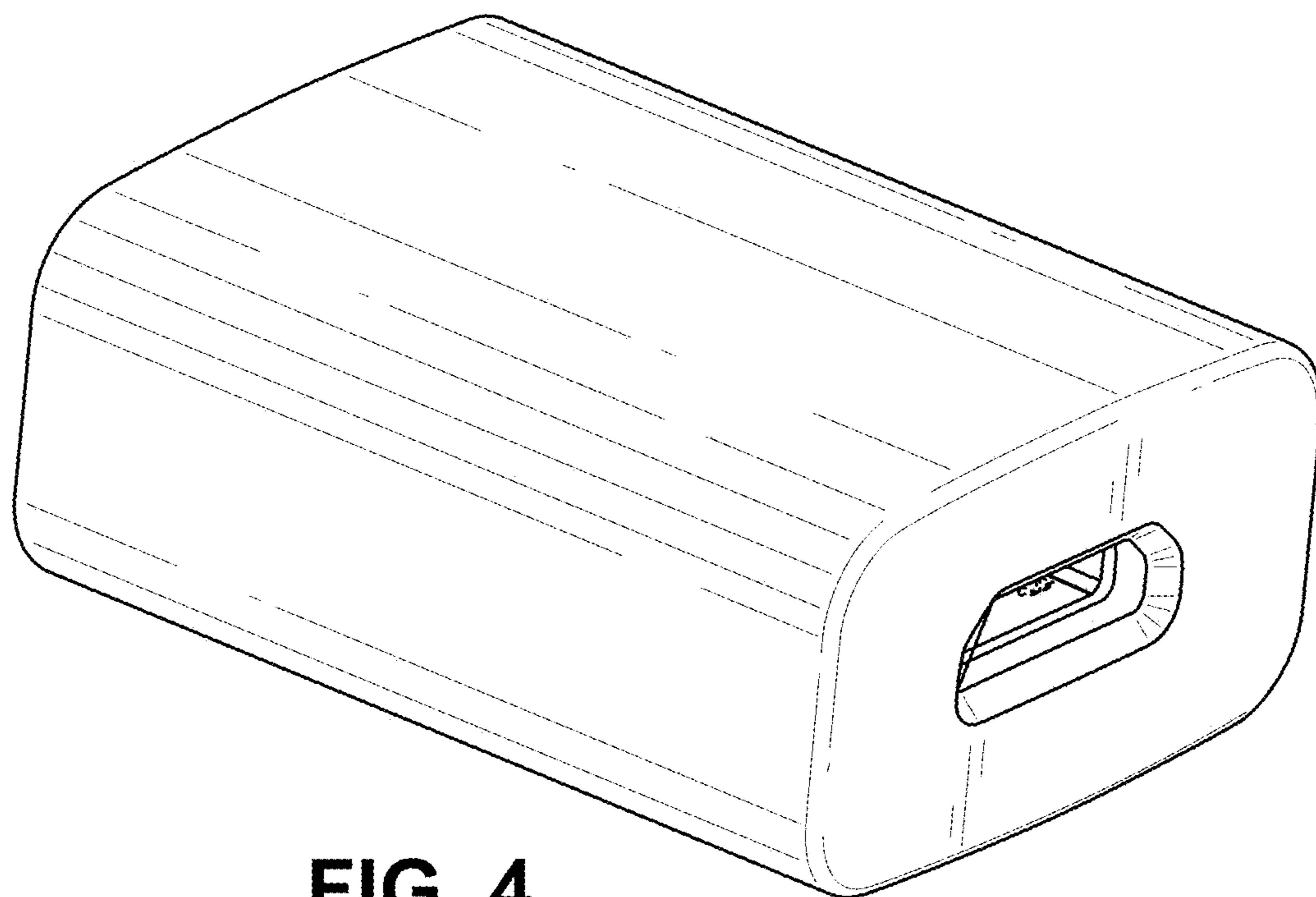


FIG. 4

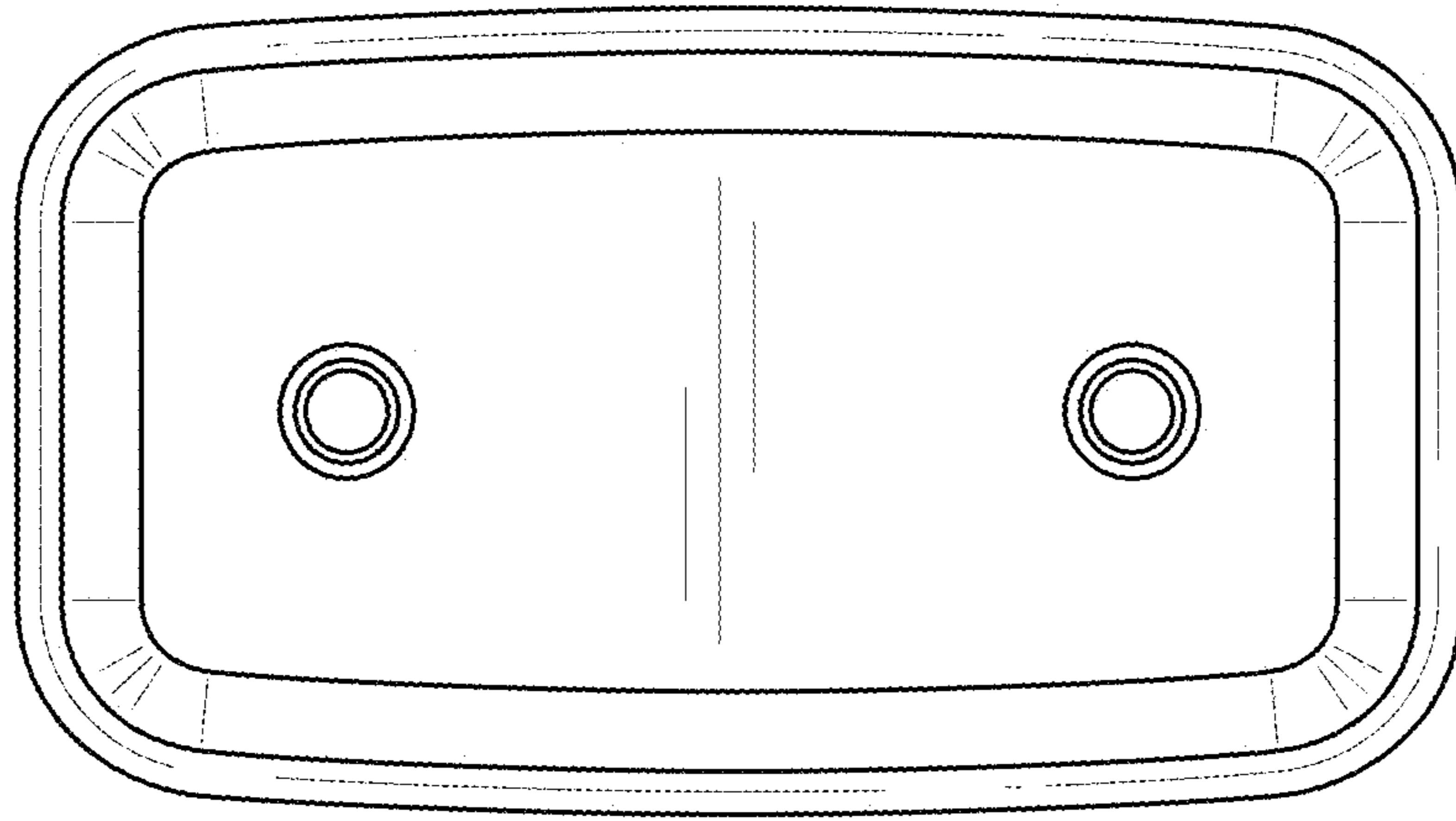


FIG. 5

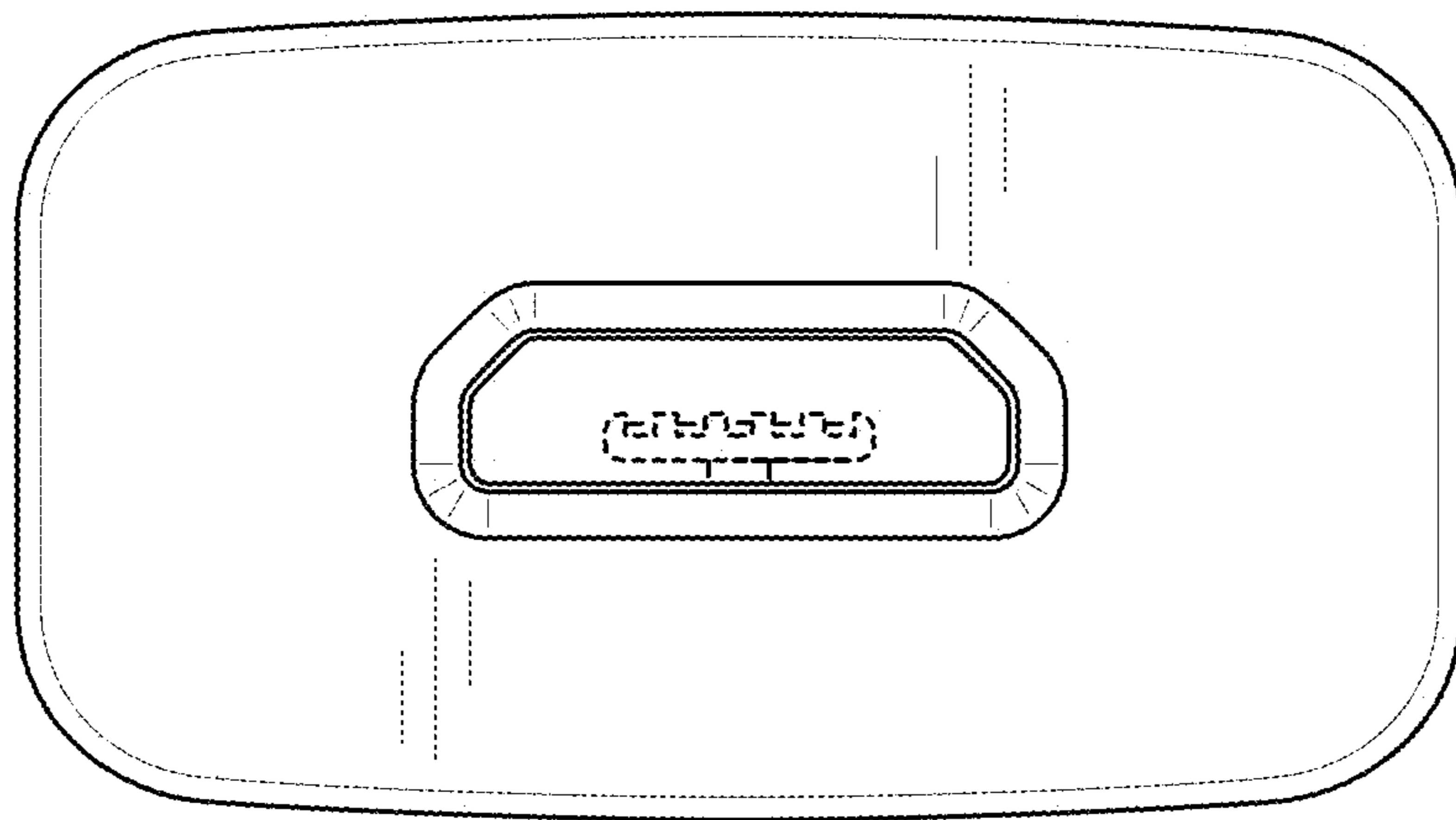


FIG. 6

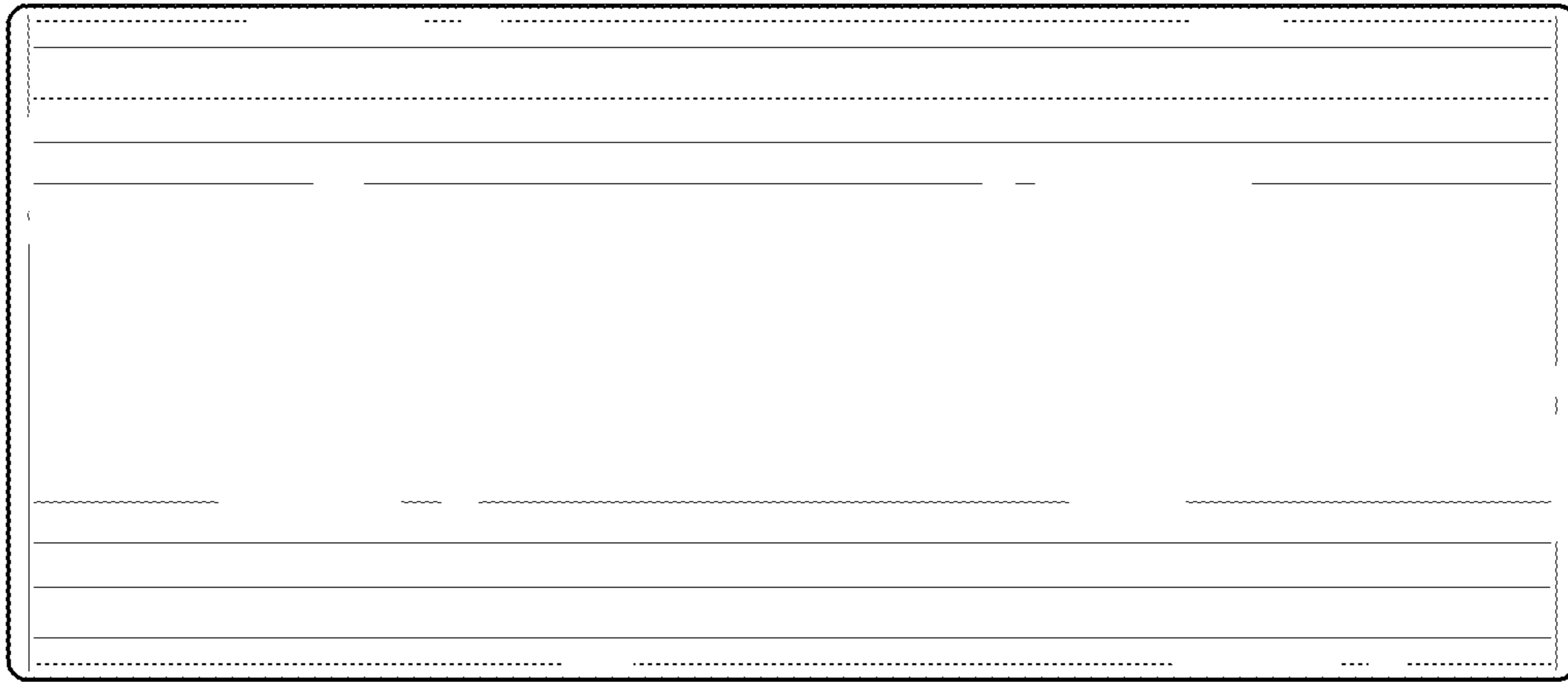


FIG. 7

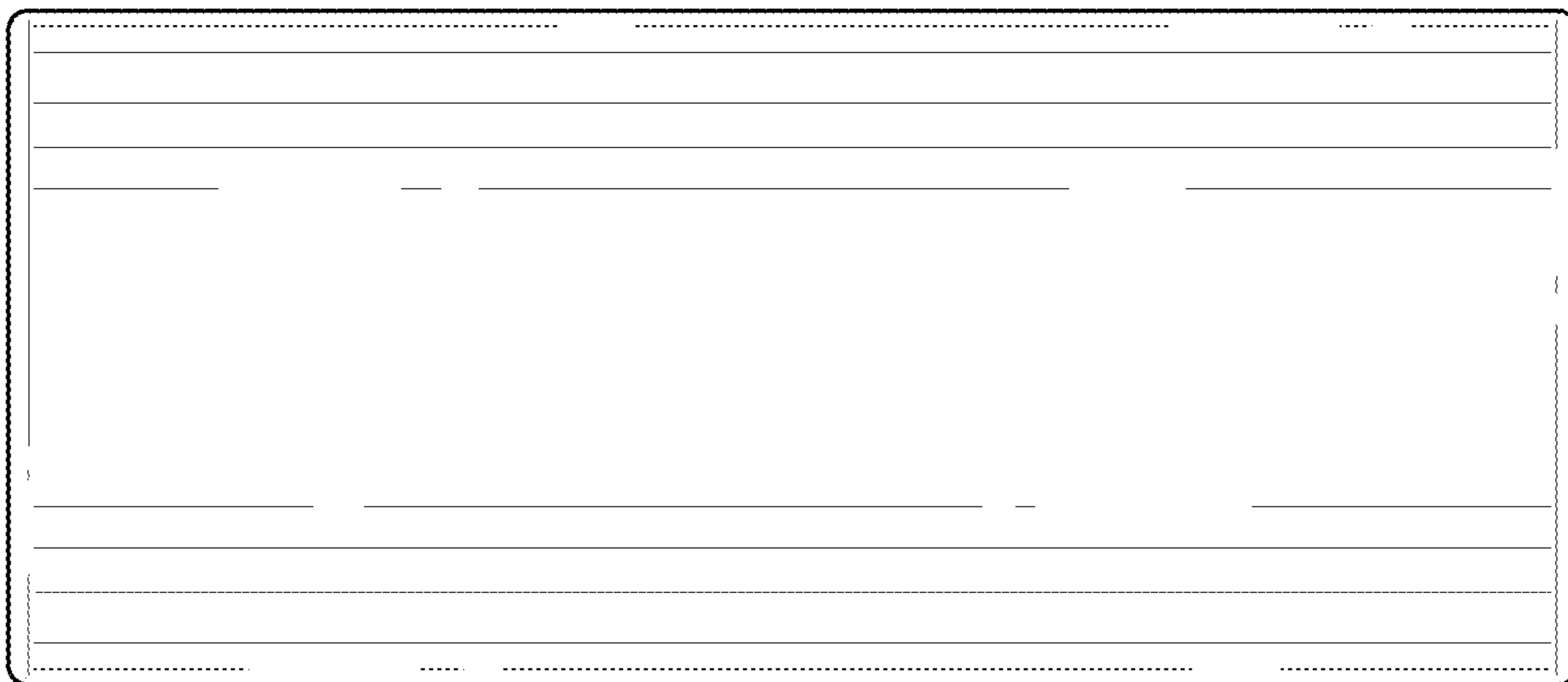


FIG. 8

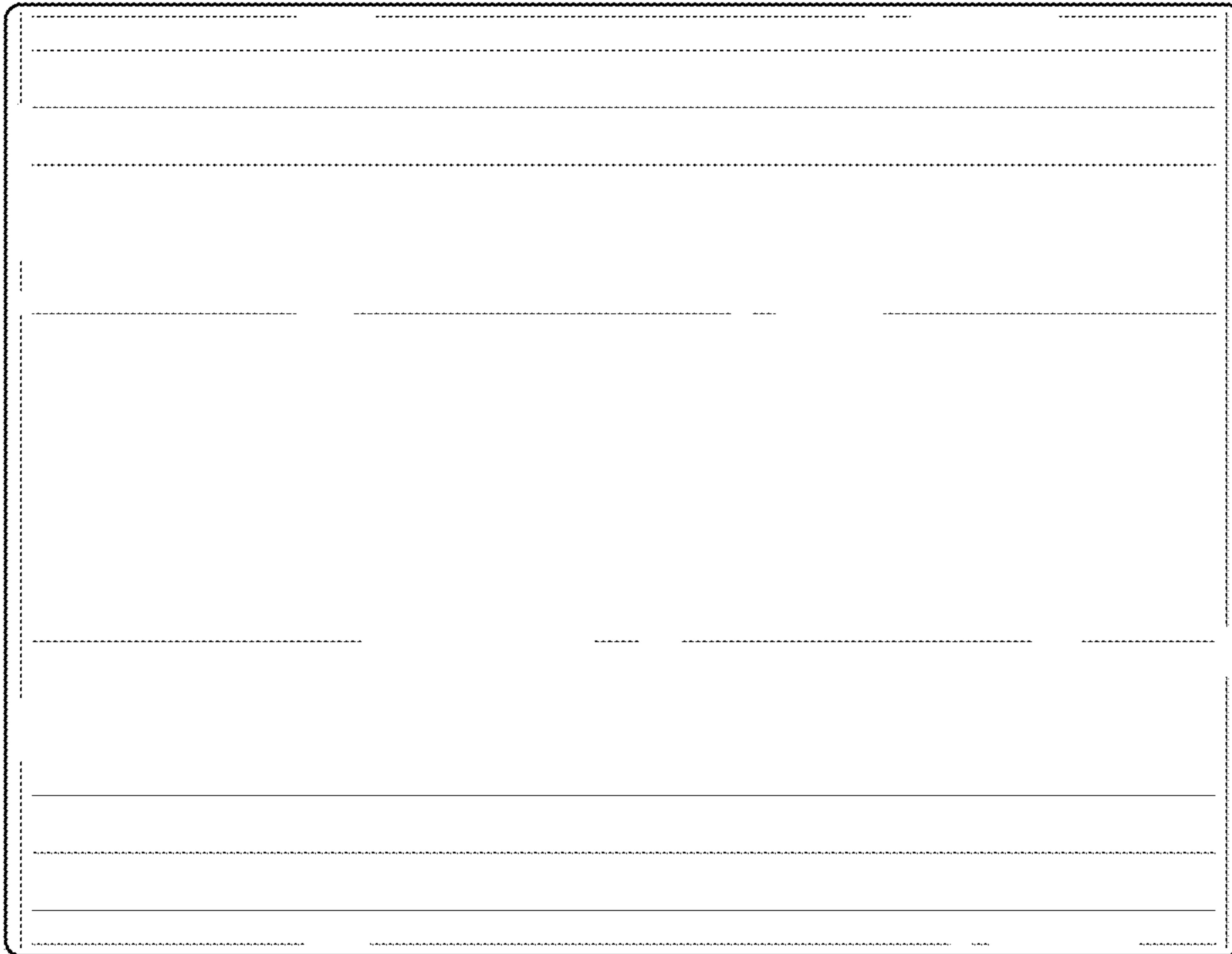


FIG. 9

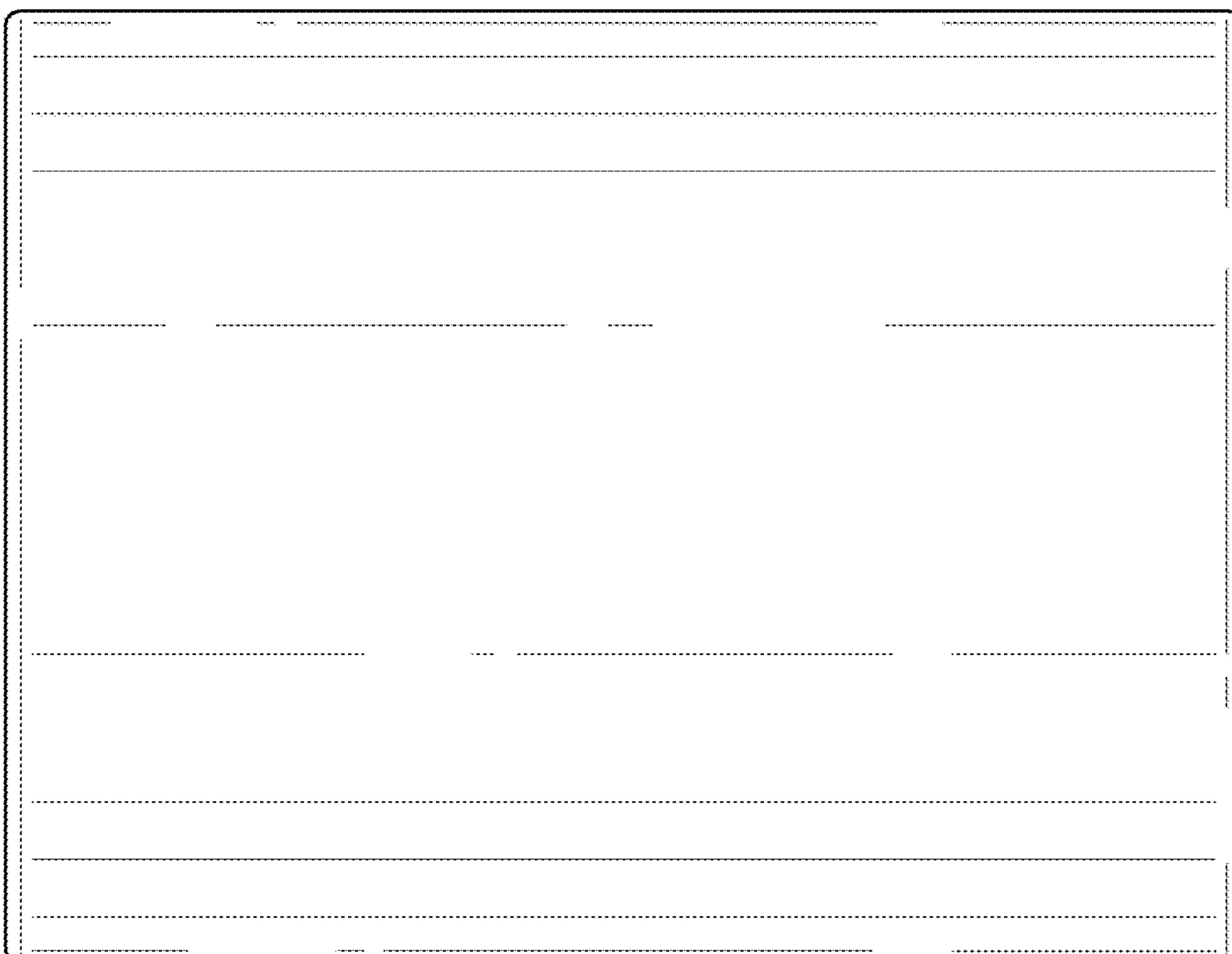


FIG. 10