



US00D928711S

(12) **United States Design Patent**  
**Kunzendorf**

(10) **Patent No.:** **US D928,711 S**  
(45) **Date of Patent:** **\*\* Aug. 24, 2021**

(54) **CONTACT PLUG**  
(71) Applicant: **Ledlenser GmbH & Co. KG**, Solingen (DE)  
(72) Inventor: **André Kunzendorf**, Wuppertal (DE)  
(73) Assignee: **LEDLENSER GMBH & CO. KG**, Solingen (DE)  
(\*\*) Term: **15 Years**  
(21) Appl. No.: **35/508,403**  
(22) Filed: **Dec. 6, 2019**  
(80) **Hague Agreement Data**  
Int. Filing Date: **Dec. 6, 2019**  
Int. Reg. No.: **DM/205255**  
Int. Reg. Date: **Dec. 6, 2019**  
Int. Reg. Pub. Date: **Jan. 24, 2020**

(30) **Foreign Application Priority Data**  
Jul. 31, 2019 (EM) ..... 006657235-0002  
(51) **LOC (13) Cl.** ..... **13-03**  
(52) **U.S. Cl.**  
USPC ..... **D13/133**  
(58) **Field of Classification Search**  
USPC ..... D13/133, 146, 147, 160, 138.1  
CPC ..... H01R 24/58; H01R 24/568; H02G 3/14;  
H02G 1/08; H02G 3/0608; H02G 15/10;  
H02G 3/088; H02G 3/0418; B29C  
45/14598; F16B 41/002; F16B 55/172  
See application file for complete search history.

(56) **References Cited**  
U.S. PATENT DOCUMENTS  
2,800,247 A \* 7/1957 Appleton ..... F16B 41/002  
220/327  
4,270,832 A \* 6/1981 Tanabe ..... H01R 24/568  
439/457

5,621,189 A \* 4/1997 Dodds ..... H02G 3/0418  
174/17 CT  
D484,102 S \* 12/2003 Fan ..... D13/160  
6,767,256 B1 \* 7/2004 Faerber ..... H01R 24/58  
439/668  
7,427,714 B1 \* 9/2008 Lammens, Jr. .... H02G 3/088  
174/53  
D587,653 S \* 3/2009 Barnes, Jr. .... D13/138.1  
7,638,713 B2 \* 12/2009 Pyron ..... H02G 15/10  
174/50.51  
D616,825 S \* 6/2010 Nania ..... D13/147  
7,902,466 B2 \* 3/2011 Pyron ..... H02G 3/0608  
174/481  
7,954,858 B2 \* 6/2011 Pyron ..... H02G 1/08  
285/55  
8,129,631 B1 \* 3/2012 Shemtov ..... H02G 3/14  
174/481  
8,376,411 B2 \* 2/2013 Newby ..... F16L 55/172  
285/154.1

(Continued)

*Primary Examiner* — Rhea Shields  
(74) *Attorney, Agent, or Firm* — Alston & Bird LLP

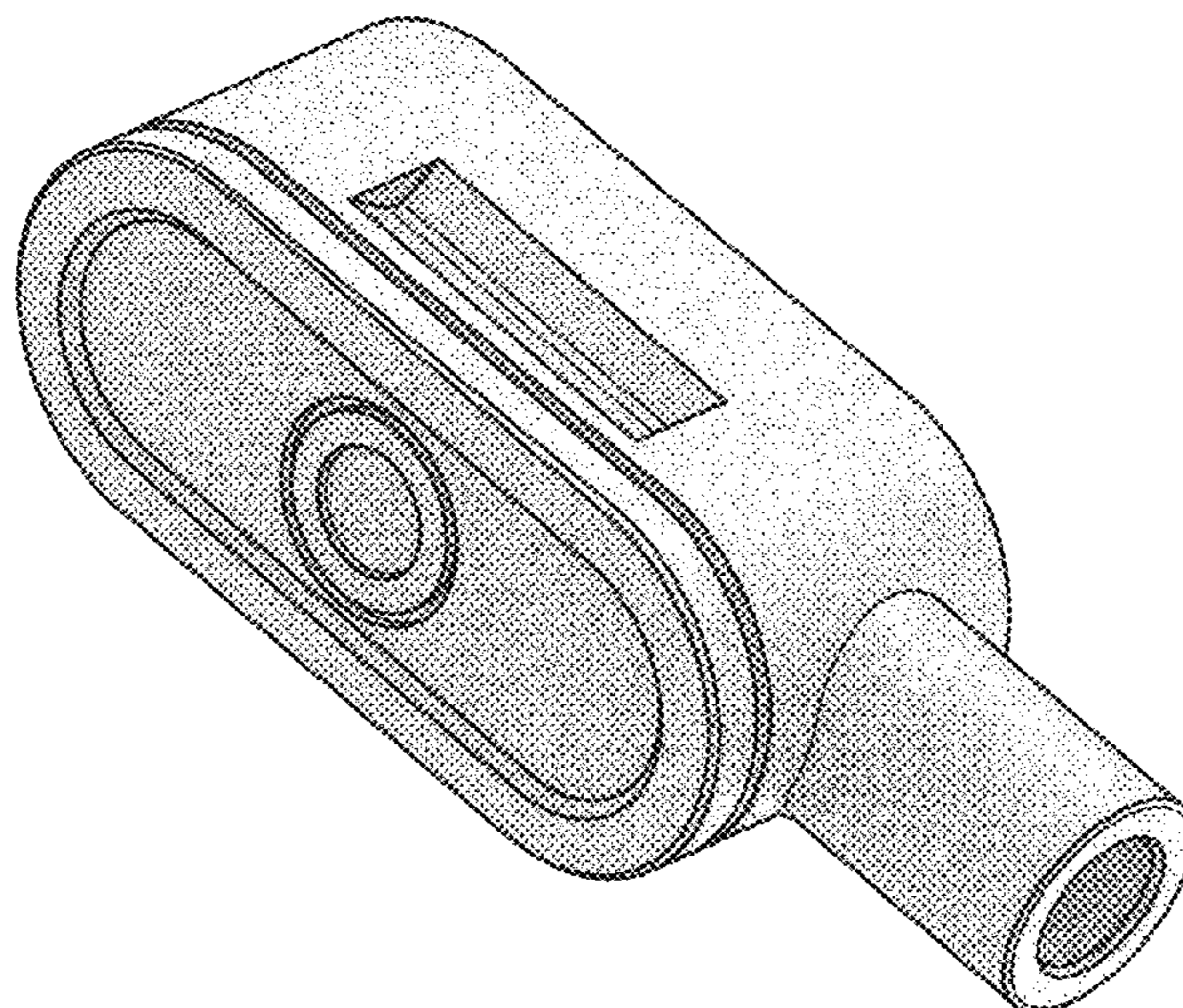
(57) **CLAIM**

The ornamental design for a contact plug, as shown and described.

**DESCRIPTION**

1. Contact plug  
1.1 is a front view;  
1.2 is a rear view;  
1.3 is a side view;  
1.4 is a side view  
1.5 is a top view;  
1.6 is a top, front perspective view; and  
1.7 is a bottom view.  
Dotted areas in reproductions illustrate shadings and not a texture on the surfaces; the shadings clarify the shape of the contact plug and form no part of the design.  
The broken lines in the drawings illustrate portions of the contact plug and form no part of the claimed design.

**1 Claim, 7 Drawing Sheets**



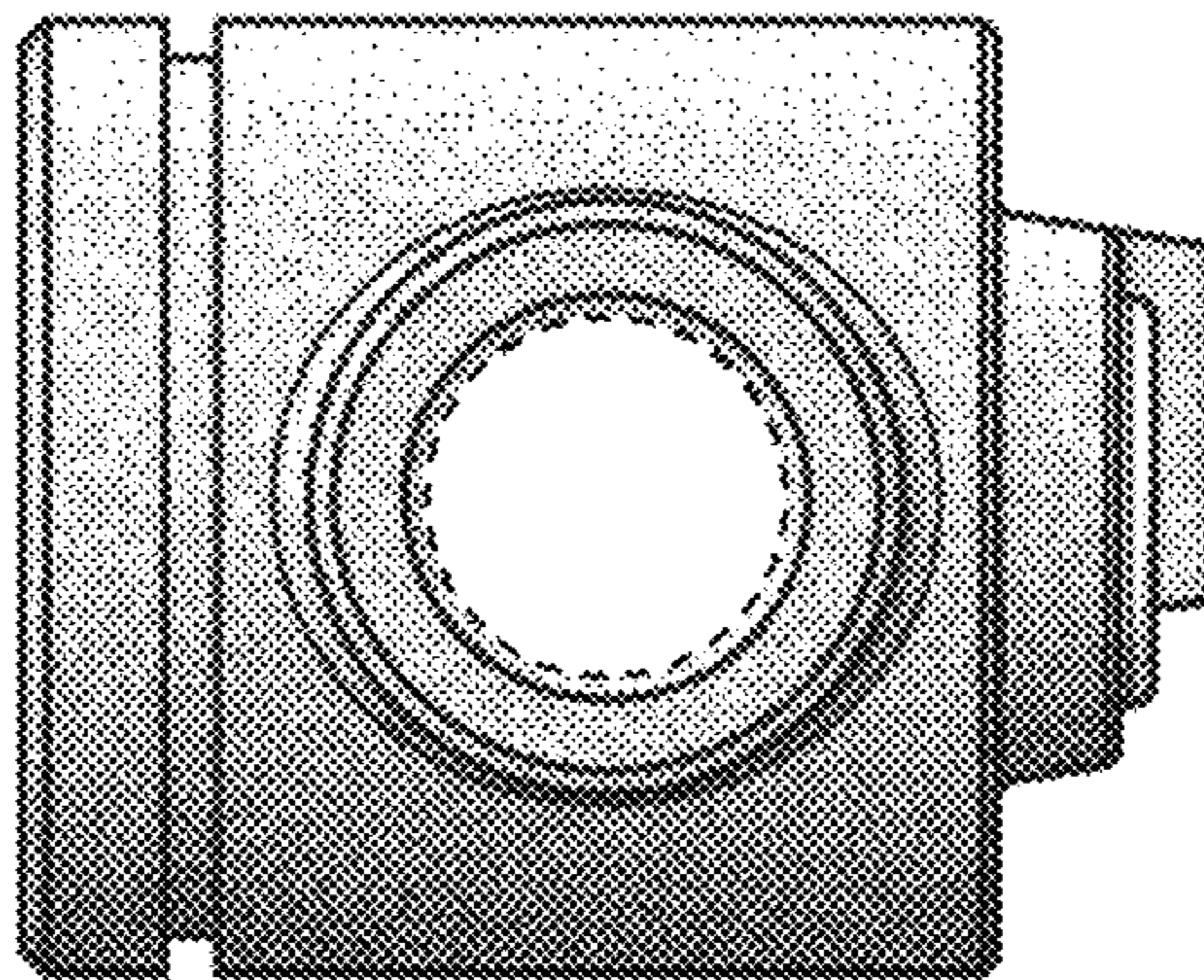
(56)

**References Cited**

U.S. PATENT DOCUMENTS

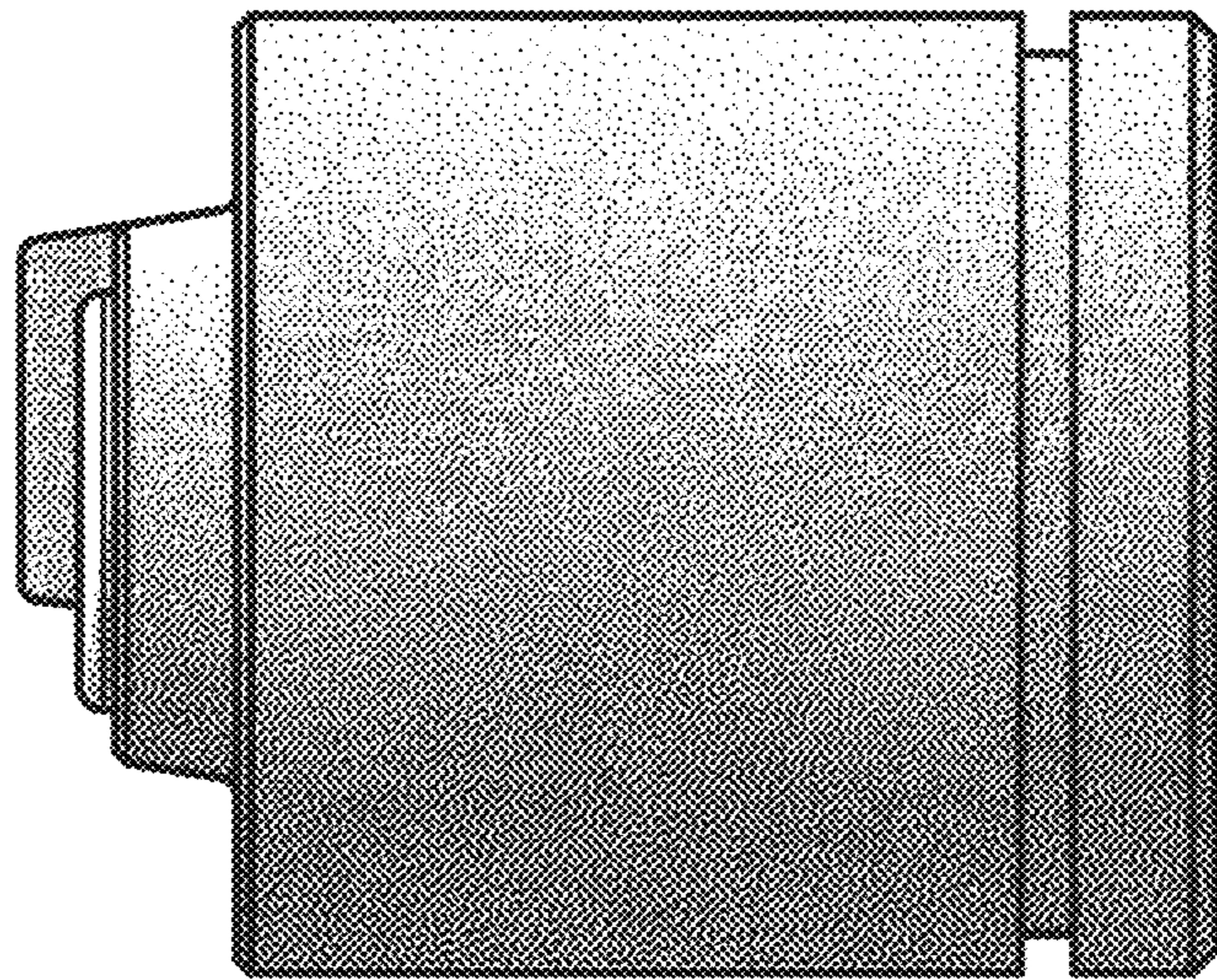
9,071,044 B2 *	6/2015	Seidel .....	B29C 45/14598
D797,052 S *	9/2017	Moseke .....	D13/146
D847,747 S *	5/2019	Rasmussen .....	D13/133
D858,453 S *	9/2019	Lang .....	D13/146
D878,297 S *	3/2020	Holloway .....	D13/133
D892,057 S *	8/2020	Zhang .....	D13/146
D901,395 S *	11/2020	Shimomaki .....	D13/147
D902,157 S *	11/2020	Dang .....	D13/133

\* cited by examiner

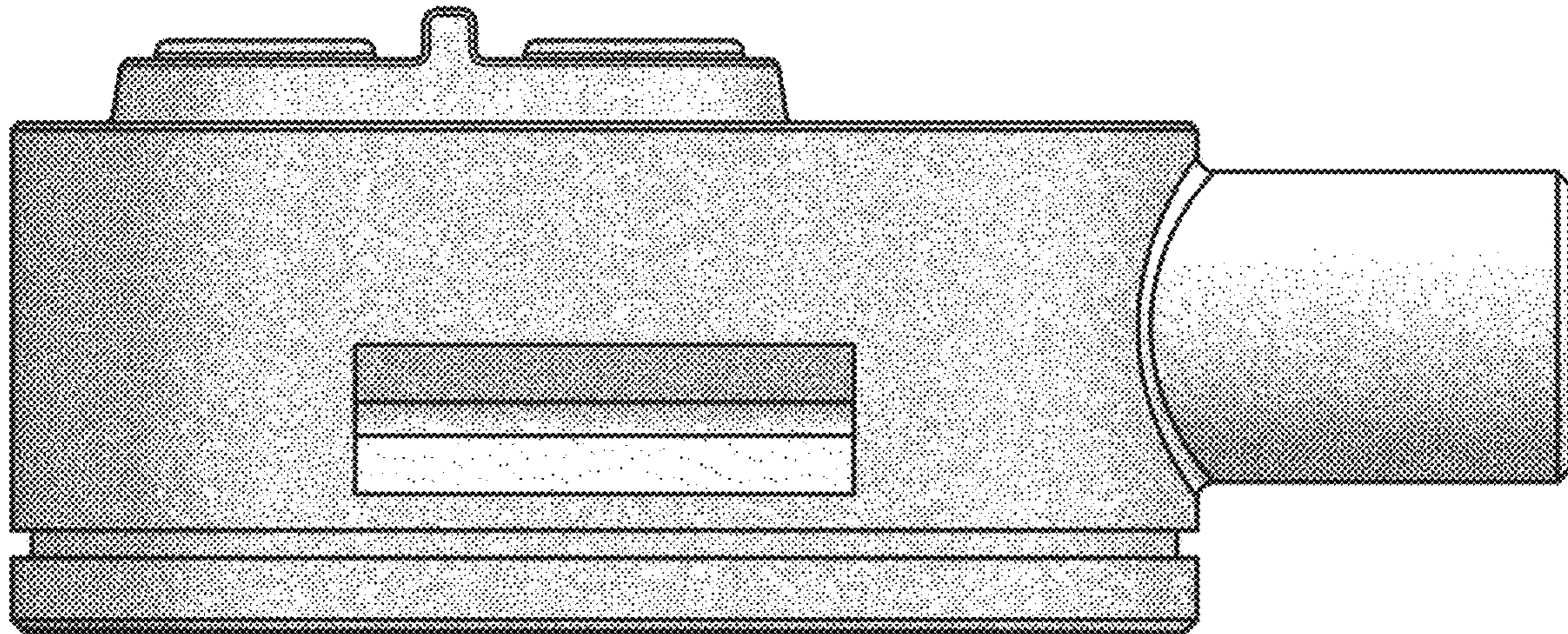


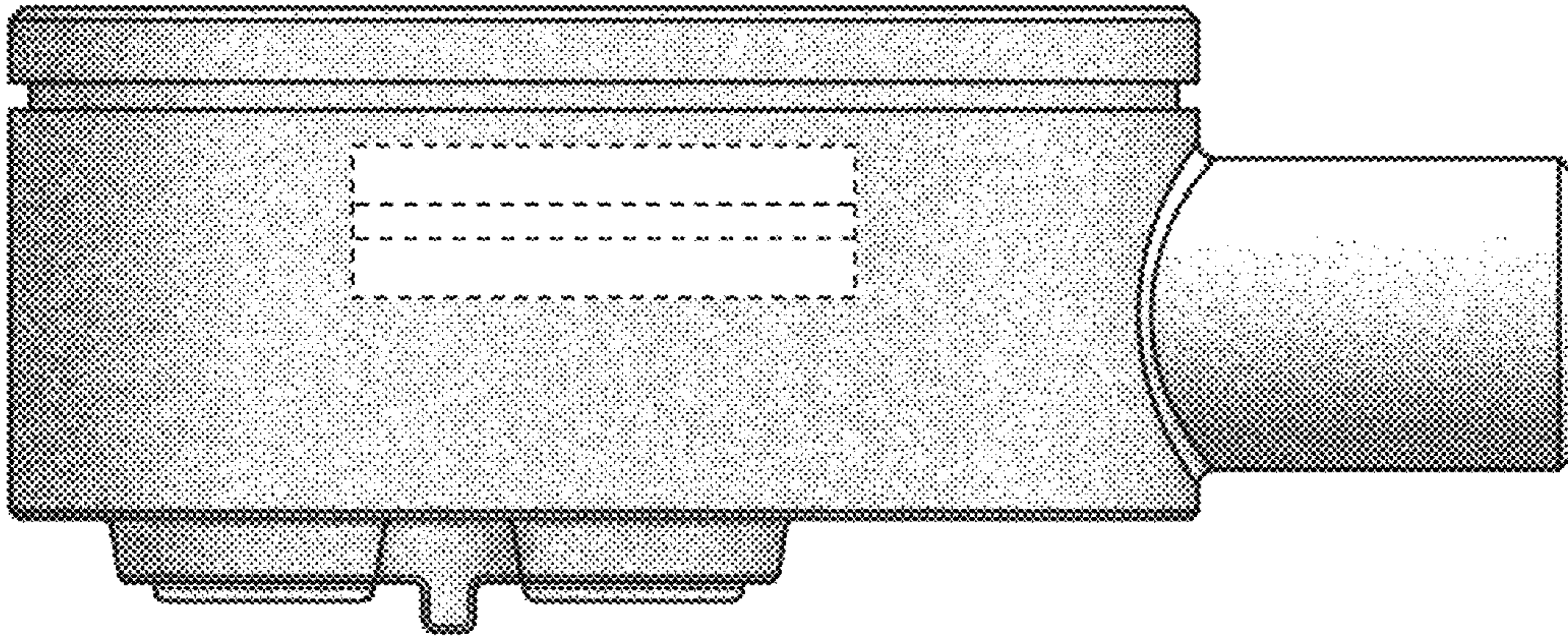
1.1

1.2



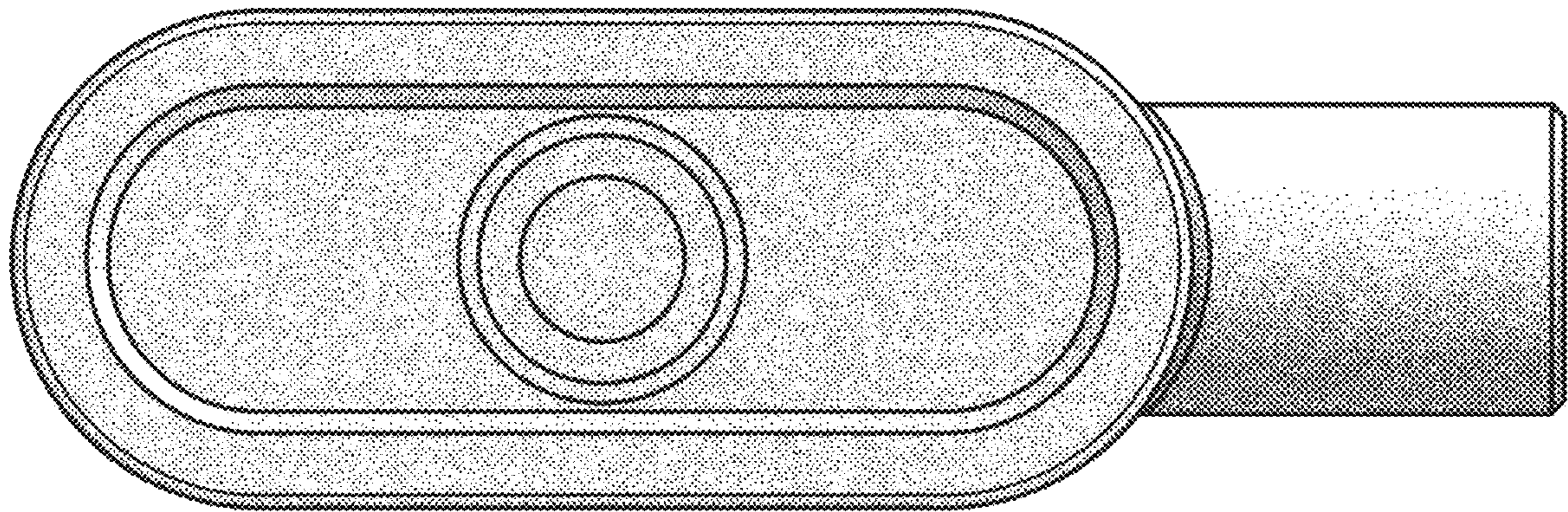
1.3



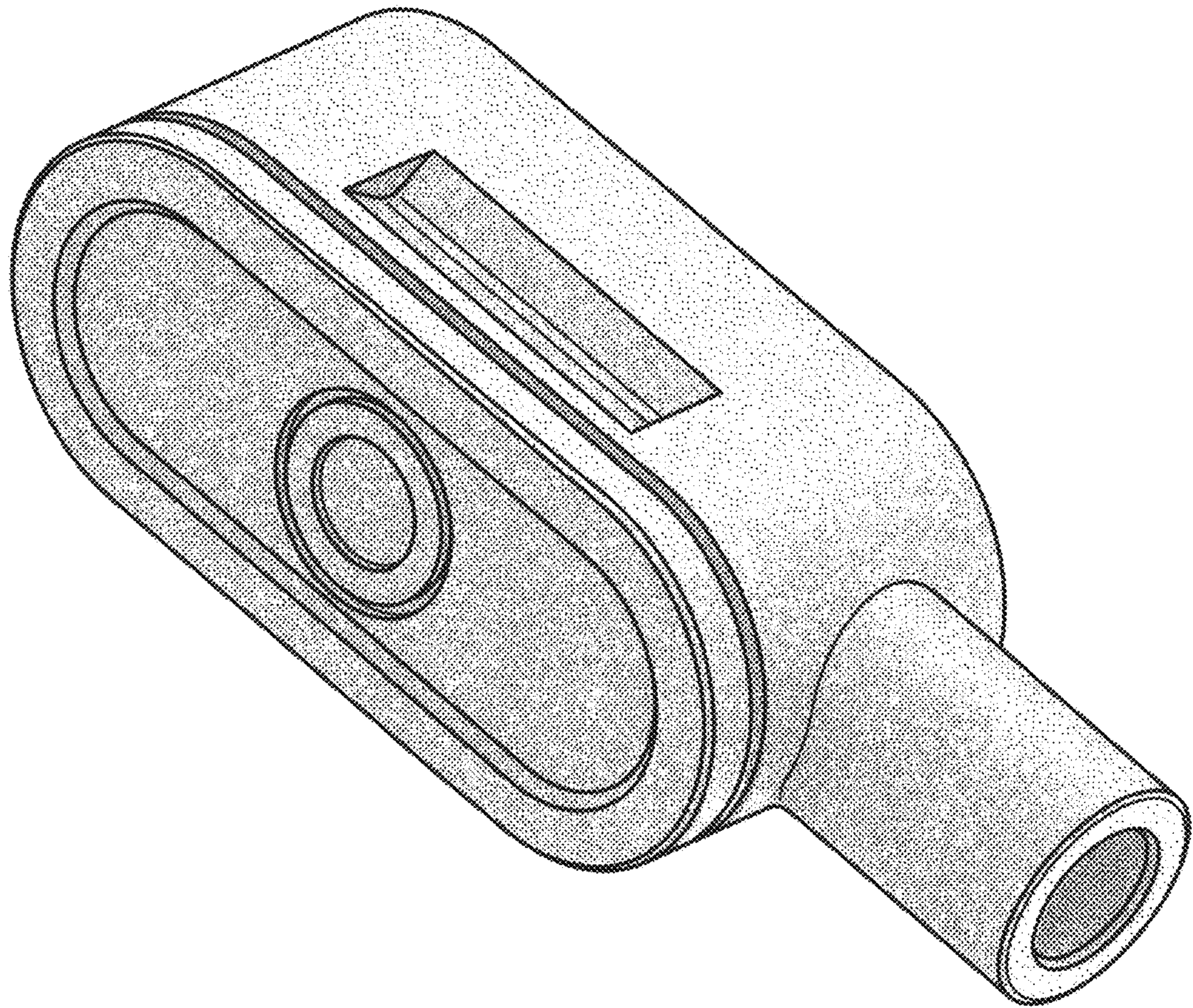


1.4

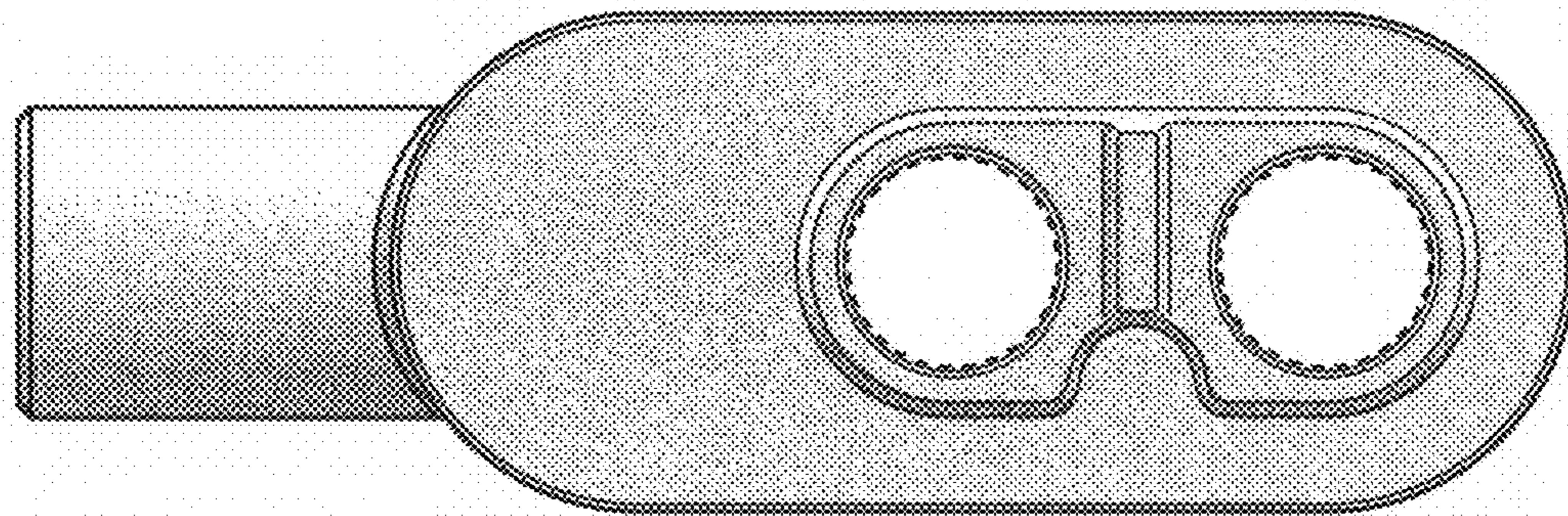
1.5



1.6







1.7