



US00D928710S

(12) **United States Design Patent** (10) **Patent No.:** **US D928,710 S**  
**Gonzalez et al.** (45) **Date of Patent:** **\*\* Aug. 24, 2021**

(54) **CONNECTOR SHELL**  
(71) Applicant: **Molex, LLC**, Lisle, IL (US)  
(72) Inventors: **Michael Gonzalez**, Lisle, IL (US);  
**Joseph D. Comerci**, Lisle, IL (US);  
**Ishwarappa Ganamukhi**, Bangalore  
(IN); **KrishnaPrasad Darbal**  
**Somanath**, Bangalore (IN); **Manohara**  
**Ramakrishna Gowda**, Bangalore (IN)

D627,733 S \* 11/2010 Stutz ..... D13/147  
D678,201 S \* 3/2013 Corona ..... D13/133  
D678,202 S \* 3/2013 Corona ..... D13/133  
D679,254 S \* 4/2013 Svelnis ..... D13/133  
D679,662 S \* 4/2013 Svelnis ..... D13/133  
D818,962 S 5/2018 Ramanna et al.  
D821,974 S 7/2018 Ramanna et al.  
D829,658 S \* 10/2018 Ramanna ..... D13/133

(73) Assignee: **Molex, LLC**, Lisle, IL (US)

(\*\*) Term: **15 Years**

(21) Appl. No.: **29/681,941**

(22) Filed: **Feb. 28, 2019**

(51) **LOC (13) Cl.** ..... **13-03**

(52) **U.S. Cl.**  
USPC ..... **D13/133**

(58) **Field of Classification Search**  
USPC ..... D13/133, 146, 147, 151, 153, 155, 156,  
D13/184  
CPC .... H01R 13/02; H01R 13/436; H01R 13/502;  
H01R 13/504; H01R 13/506; H01R  
13/62; H01R 13/64; H01R 13/641  
See application file for complete search history.

(56) **References Cited**

**U.S. PATENT DOCUMENTS**

4,108,527 A \* 8/1978 Douty ..... H01R 13/627  
439/465  
D608,286 S \* 1/2010 Stutz ..... D13/147

**FOREIGN PATENT DOCUMENTS**

TW D171515 11/2015

\* cited by examiner

*Primary Examiner* — Sheryl Lane

*Assistant Examiner* — Calvin E Vasant

(74) *Attorney, Agent, or Firm* — Banner & Witcoff, Ltd.

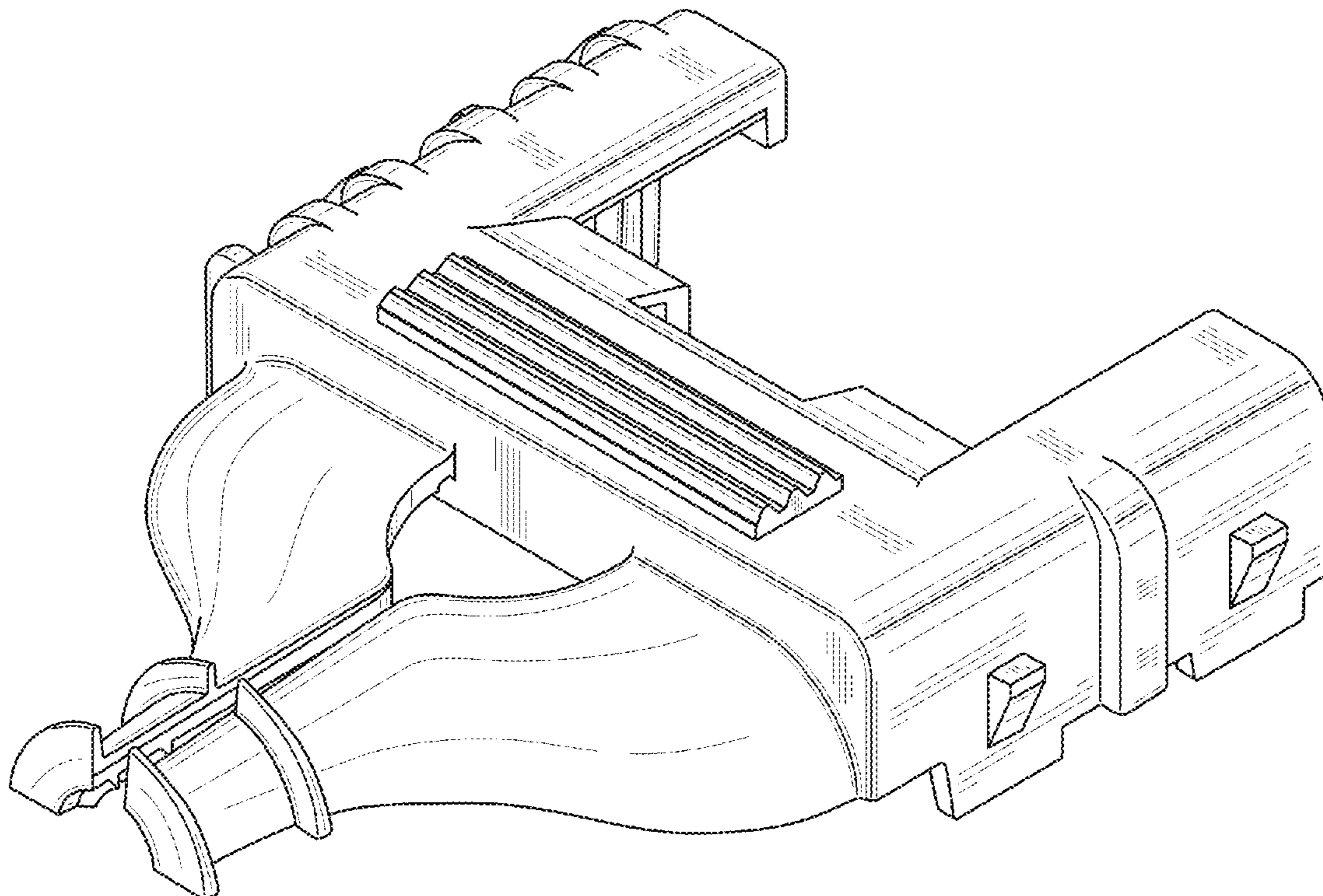
(57) **CLAIM**

The ornamental design for a connector shell, as shown and described.

**DESCRIPTION**

FIG. 1 is a front top perspective view of a connector shell showing our new design;  
FIG. 2 is a front bottom perspective view thereof;  
FIG. 3 is a rear top perspective view thereof;  
FIG. 4 is a top view thereof;  
FIG. 5 is a bottom view thereof;  
FIG. 6 is a left side view thereof;  
FIG. 7 is a right side view thereof;  
FIG. 8 is a front view thereof; and,  
FIG. 9 is a rear view thereof.

**1 Claim, 9 Drawing Sheets**



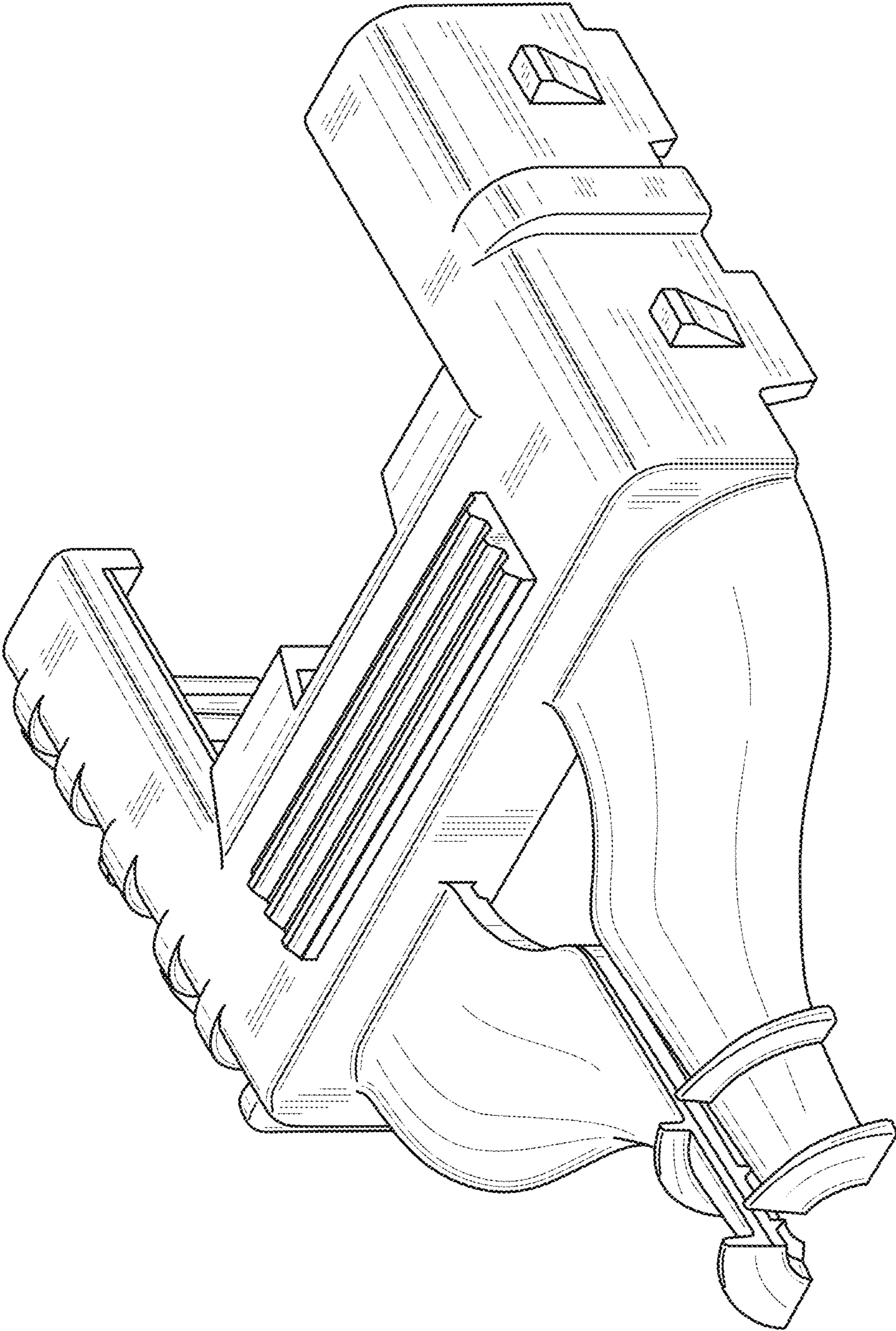


FIG. 1



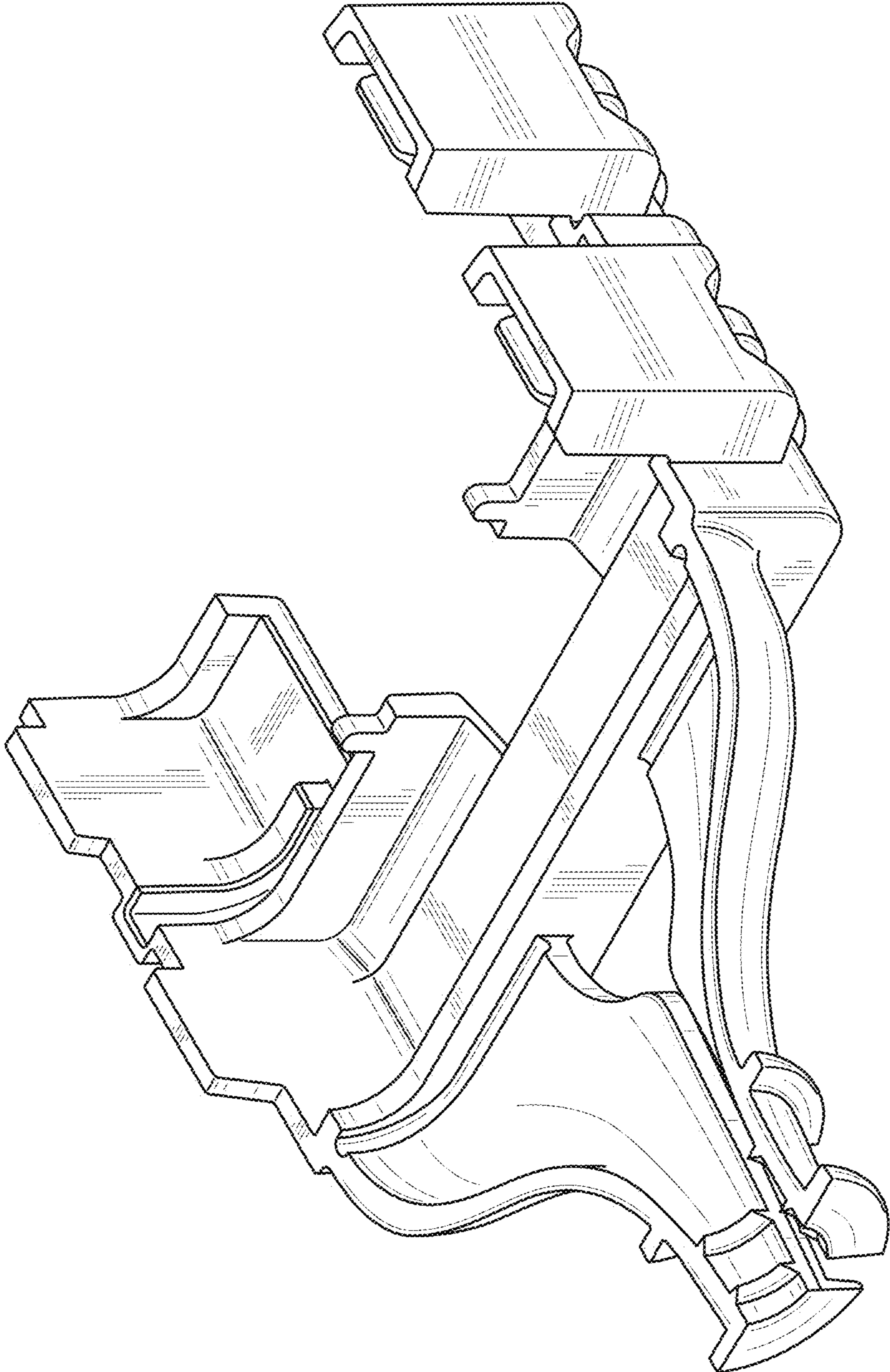


FIG. 2

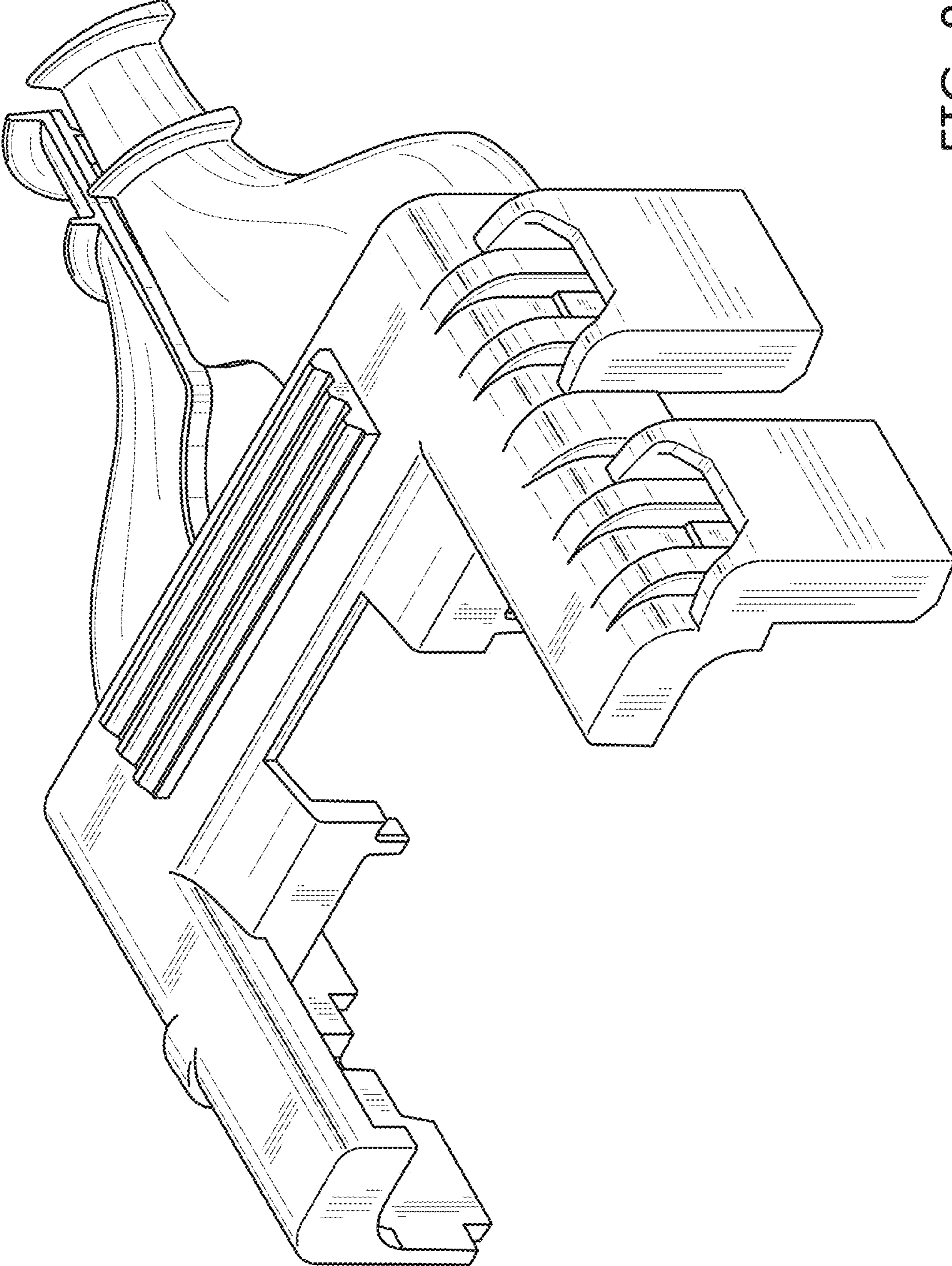


FIG. 3

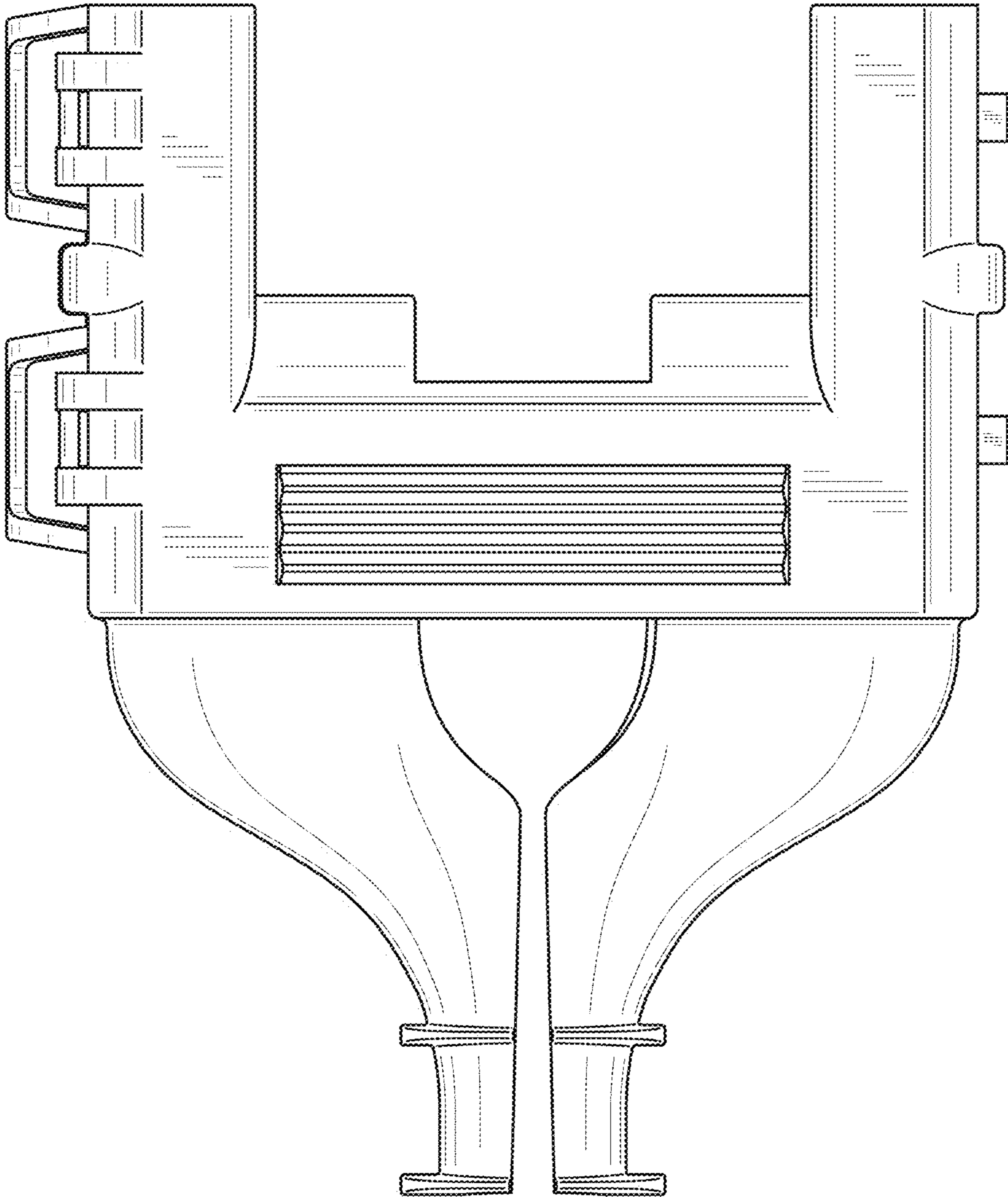


FIG. 4

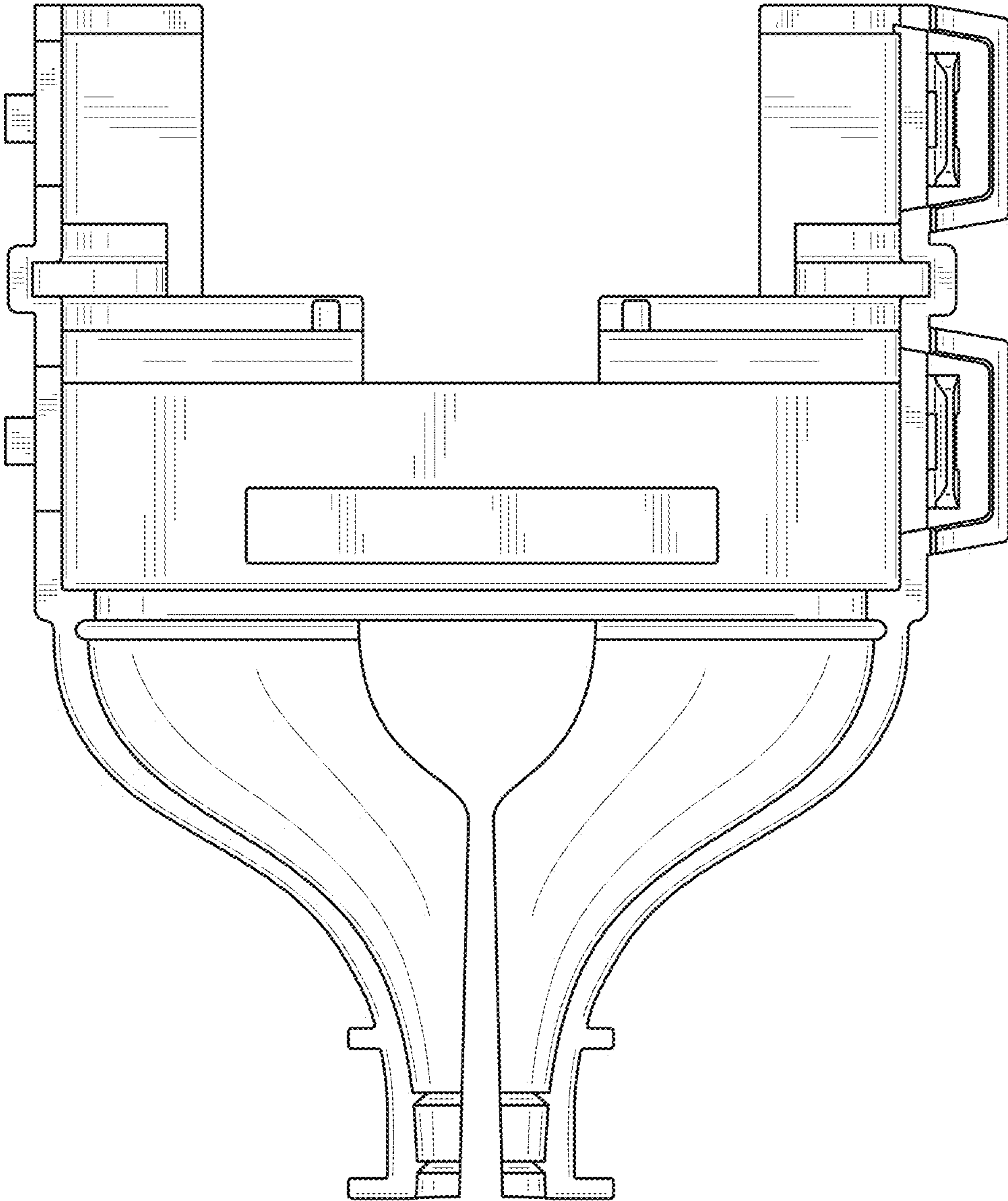


FIG. 5



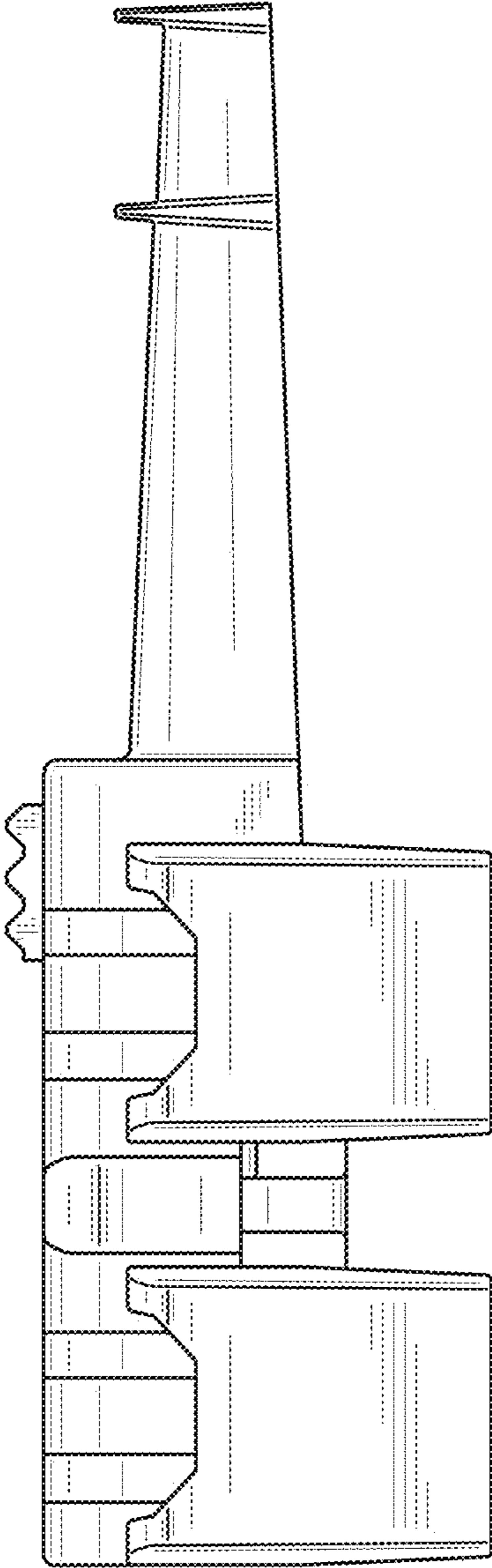


FIG. 6

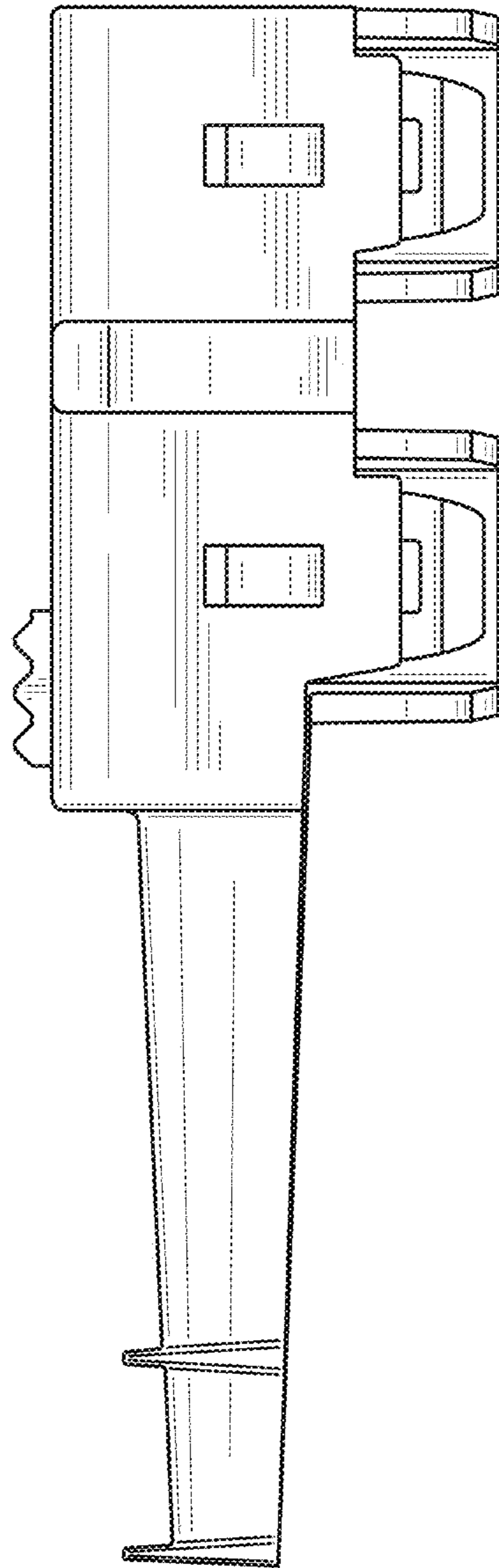


FIG. 7



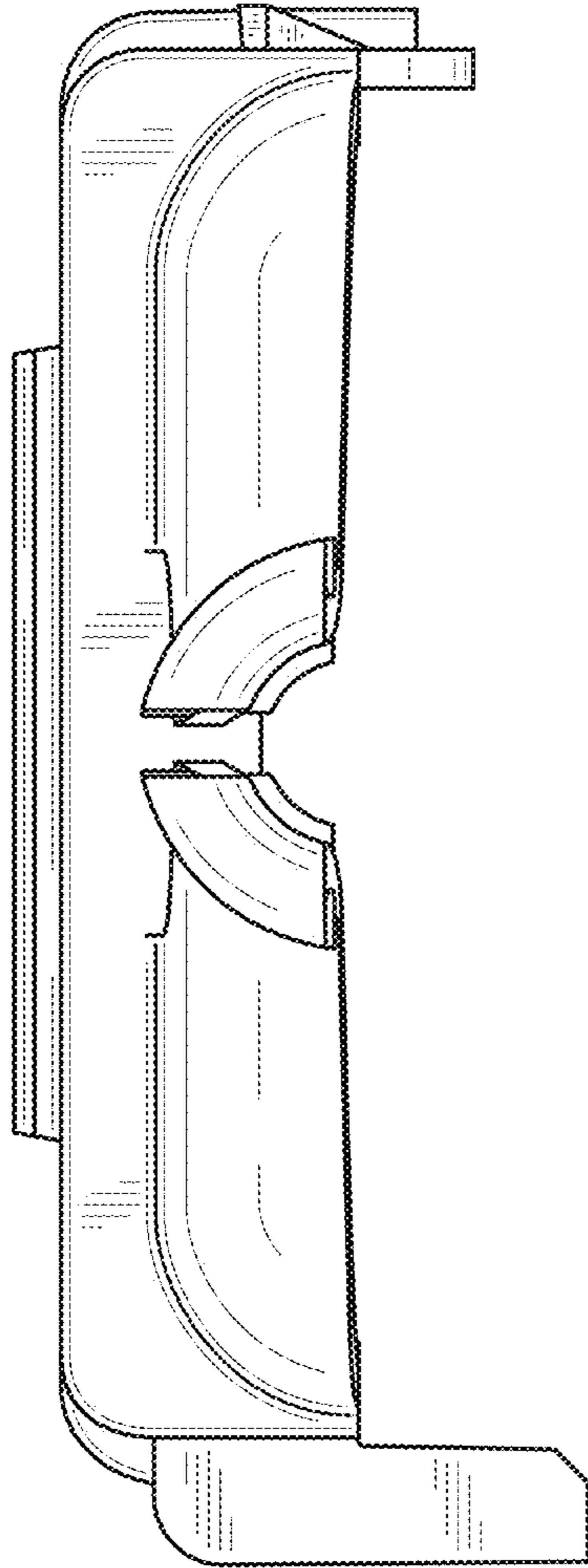


FIG. 8

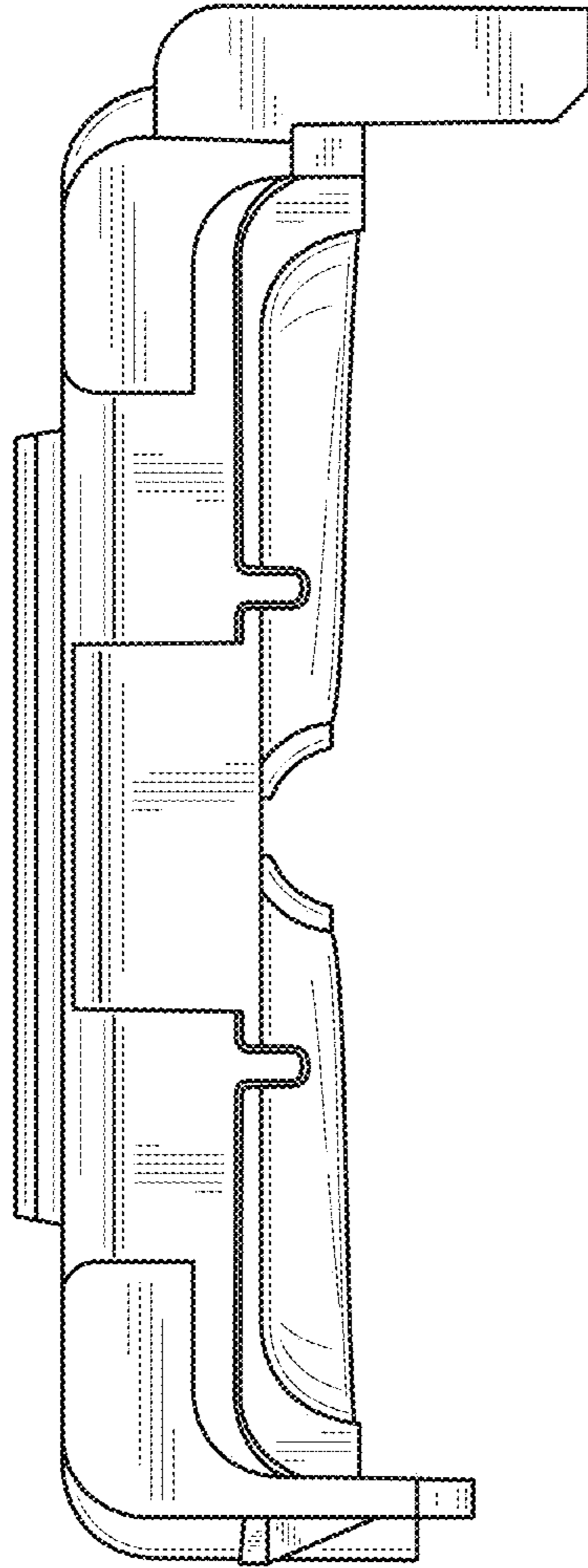


FIG. 9