



US00D928709S

(12) **United States Design Patent**
Greenberg et al.

(10) **Patent No.:** **US D928,709 S**

(45) **Date of Patent:** **** Aug. 24, 2021**

- (54) **BATTERY TERMINAL**
- (71) Applicants: **William Greenberg**, Macedonia, OH (US); **Danny Finley**, Windham, OH (US)
- (72) Inventors: **William Greenberg**, Macedonia, OH (US); **Danny Finley**, Windham, OH (US)
- (73) Assignee: **KNUKONCEPTZ.COM, LTD.**, Bedford, OH (US)

- D250,531 S 12/1978 Demetreon
- D405,058 S 2/1999 Nakamura
- D405,423 S 2/1999 Nakamura
- D453,496 S 2/2002 Lee
- D485,235 S 1/2004 Lian
- 6,932,650 B1 8/2005 Freitag
- 6,932,659 B1 8/2005 Freitag
- D695,698 S 12/2013 Greenberg
- D743,903 S 11/2015 Krivonak
- 9,306,379 B2 4/2016 Greenberg
- D765,598 S 9/2016 Dai
- D798,813 S 10/2017 Marinelli
- D813,816 S 3/2018 Osako

(Continued)

(**) Term: **15 Years**

Primary Examiner — Jennifer O King

(21) Appl. No.: **29/707,684**

(22) Filed: **Sep. 30, 2019**

Related U.S. Application Data

(62) Division of application No. 29/580,475, filed on Oct. 10, 2016, now Pat. No. Des. 864,114.

(51) **LOC (13) Cl.** **13-02**

(52) **U.S. Cl.**
USPC **D13/120**

(58) **Field of Classification Search**
USPC D13/103–107, 110, 119–121, 133, 147, D13/156, 184
CPC H01H 2085/208; H01R 11/22; H01R 11/287; H01M 2/1027; H01M 2/1022; H01M 2/1072; H01M 2/105; H01M 2/1077
See application file for complete search history.

(56) **References Cited**

U.S. PATENT DOCUMENTS

- 3,189,867 A * 6/1965 Kaashoek H01R 11/281 439/758
- D233,438 S 10/1974 Bruner

(57) **CLAIM**

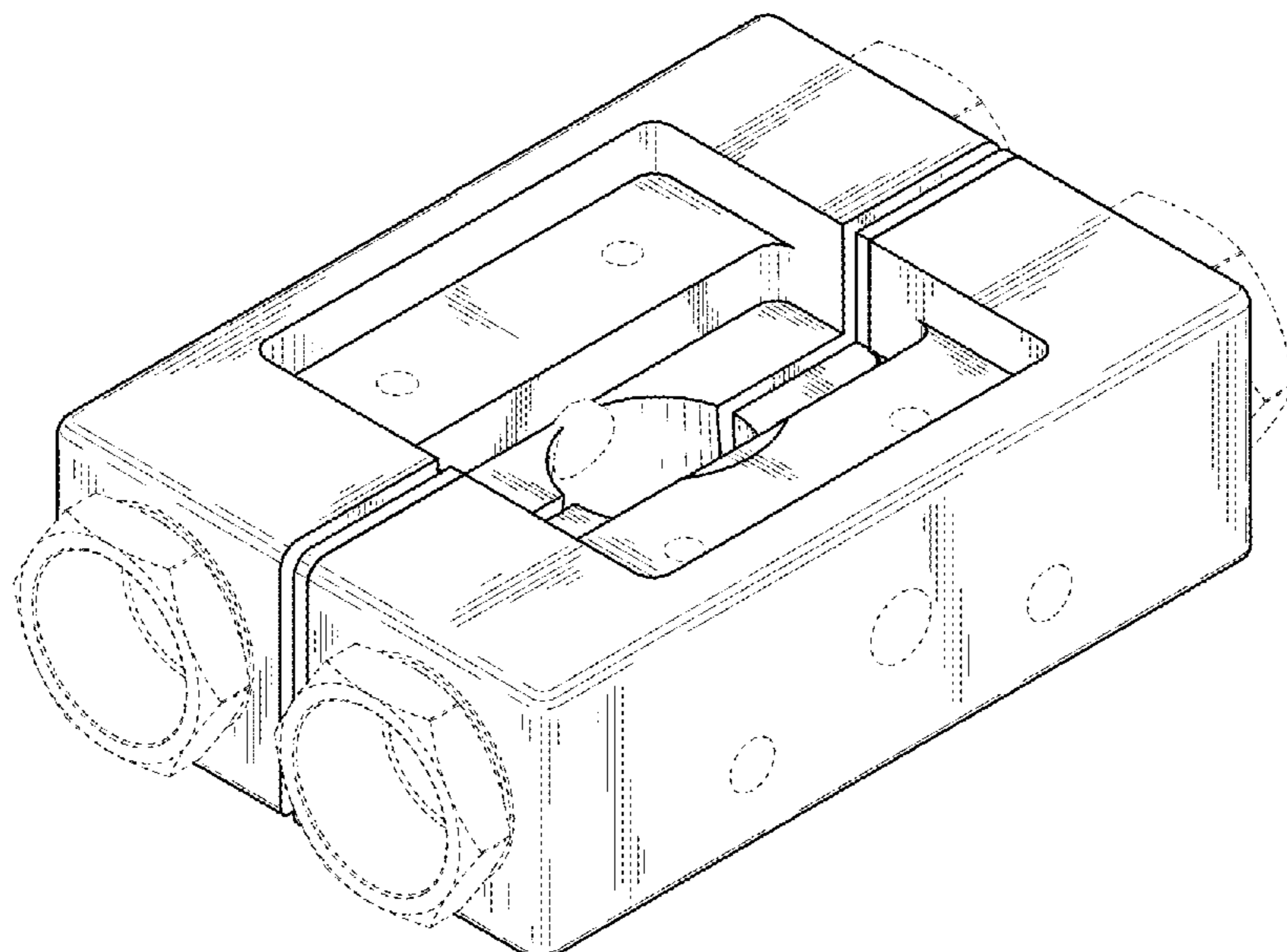
The ornamental design for a battery terminal, as shown and described.

DESCRIPTION

FIG. 1 is a perspective view of the battery terminal design; FIG. 2 is a perspective bottom view of the battery terminal design of FIG. 1; FIG. 3 is a top view of the battery terminal of FIG. 1; FIG. 4 is a bottom view of the battery terminal of FIG. 1; FIG. 5 is a right side view of the battery terminal of FIG. 1; FIG. 6 is a left side view of the battery terminal of FIG. 1; FIG. 7 is a right end view of the battery terminal of FIG. 1; FIG. 8 is a left end view of the battery terminal of FIG. 1; FIG. 9 is an exploded view of the battery terminal design; and, FIG. 10 is a perspective view of the battery terminal design shown in use.

The broken lines are provided solely for illustrative purposes and form no part of the claimed design.

1 Claim, 5 Drawing Sheets



(56)

References Cited

U.S. PATENT DOCUMENTS

D827,573	S	*	9/2018	Petty	D13/120
D853,309	S	*	7/2019	Wallace	D12/223
D864,114	S	*	10/2019	Greenberg	D13/120
D876,361	S	*	2/2020	Hu	D13/133
10,700,451	B1	*	6/2020	Pinol Pedret	H01R 4/302
D900,029	S	*	10/2020	Stolze	D13/120
D900,746	S	*	11/2020	Kurita	D13/133
D906,253	S	*	12/2020	Yamaji	D13/147

* cited by examiner

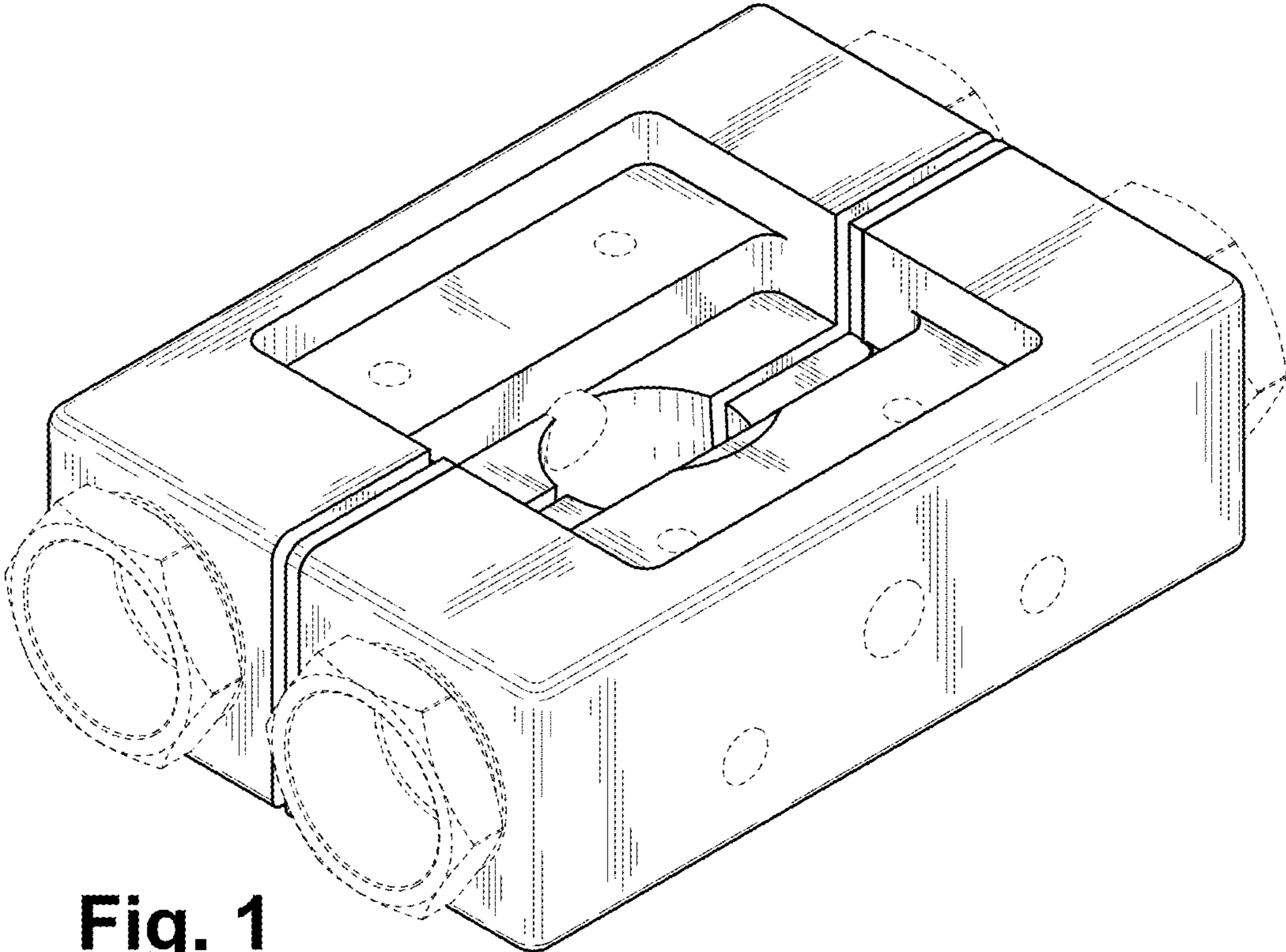


Fig. 1

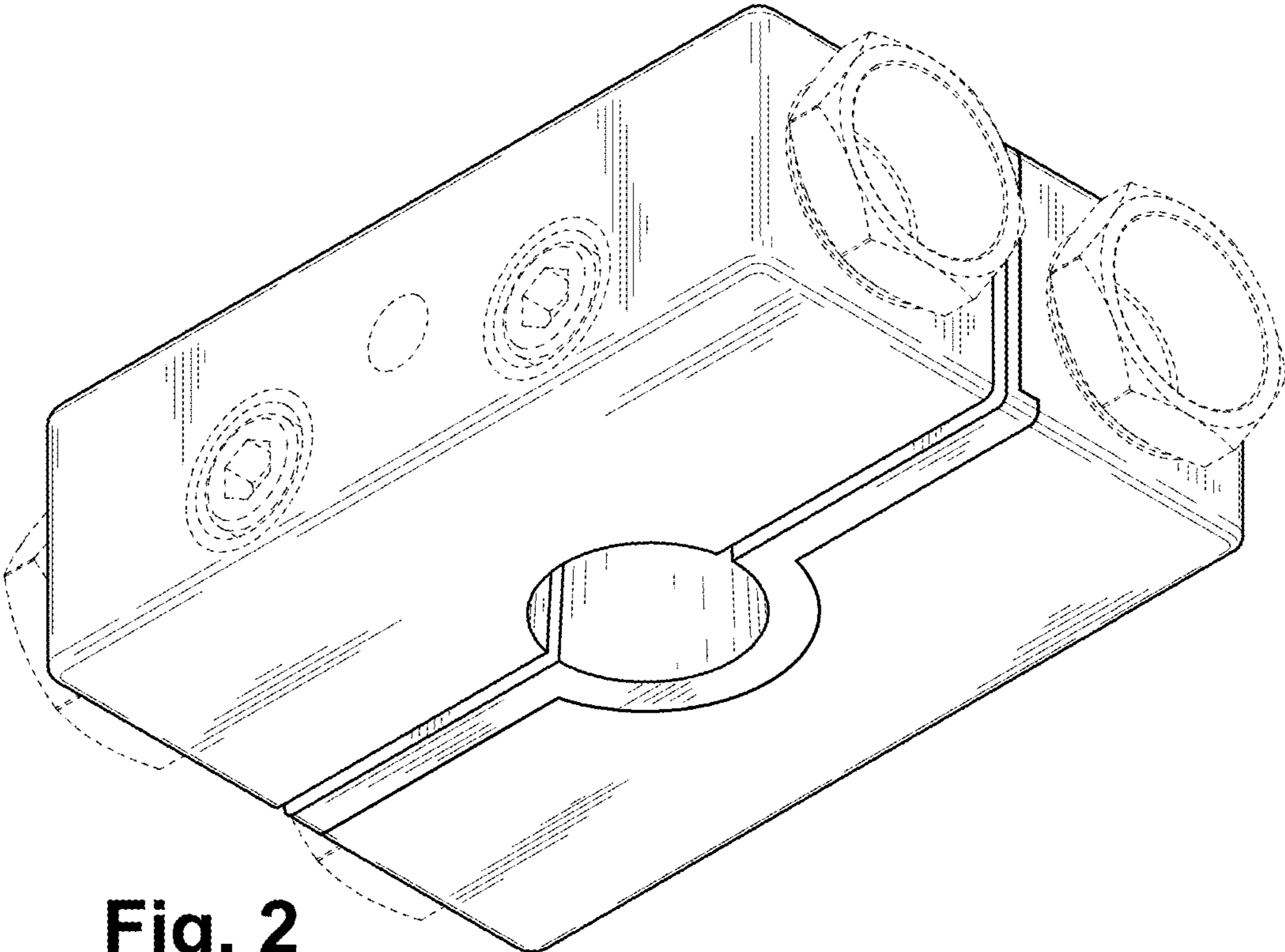


Fig. 2

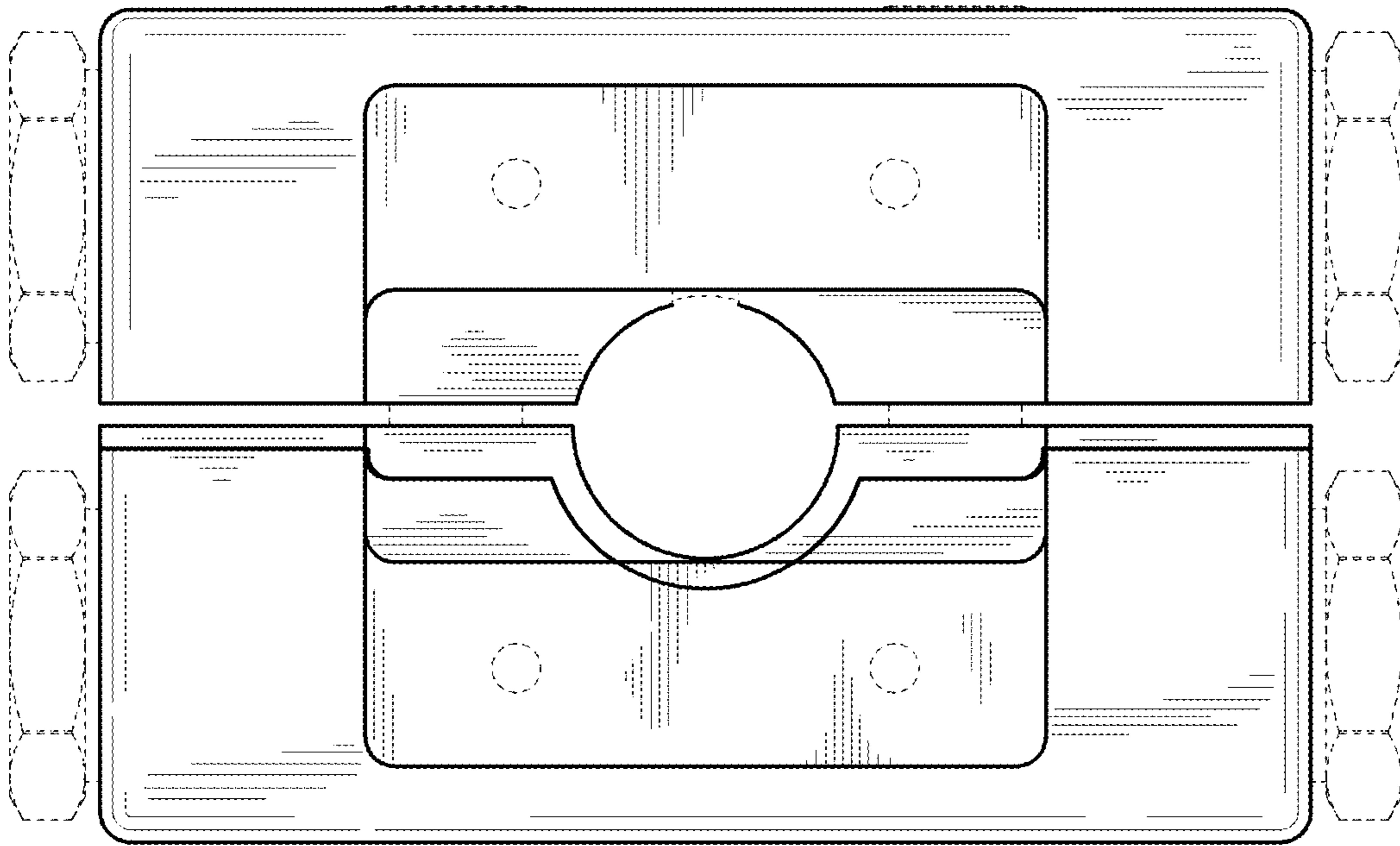


Fig. 3

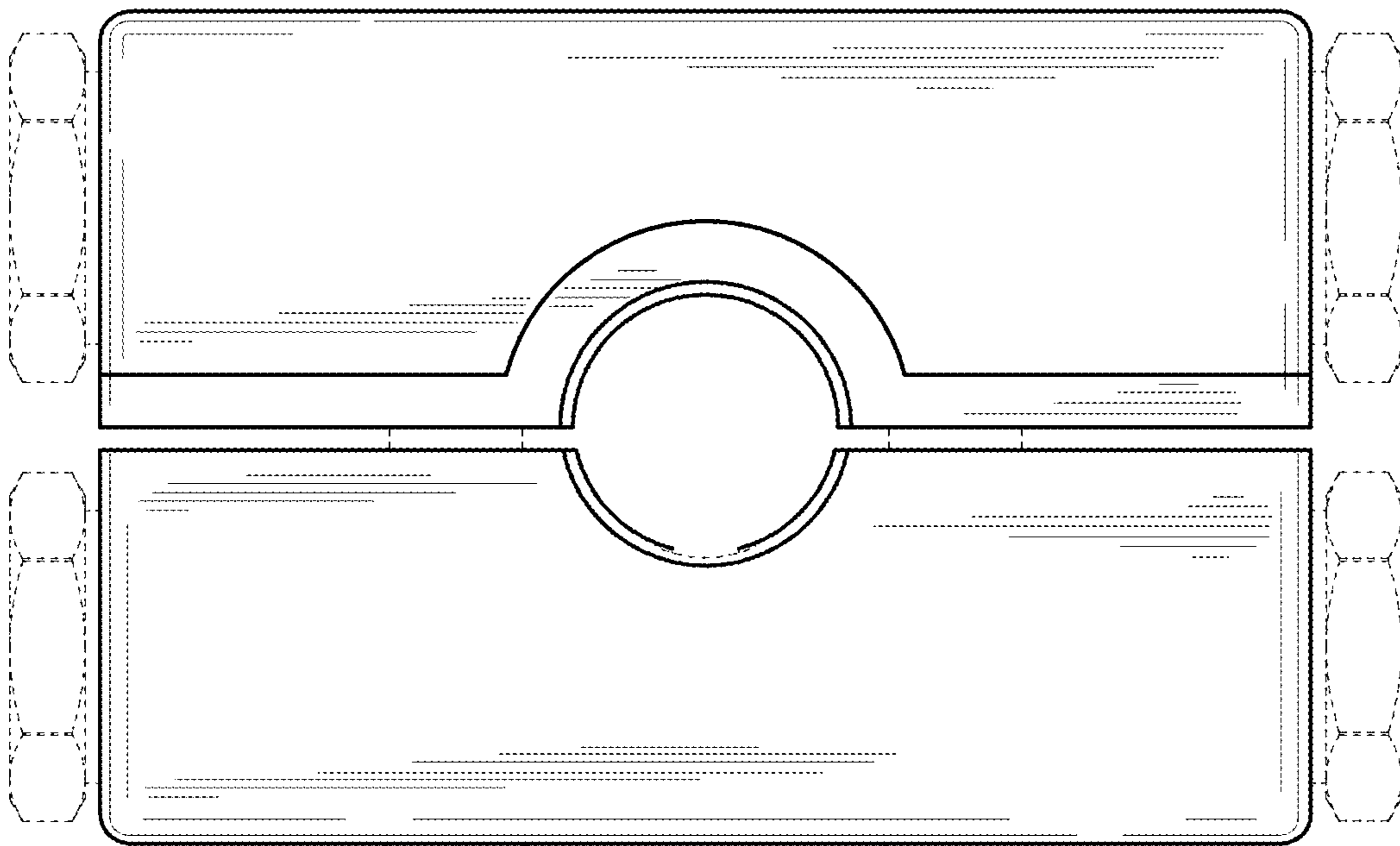


Fig. 4

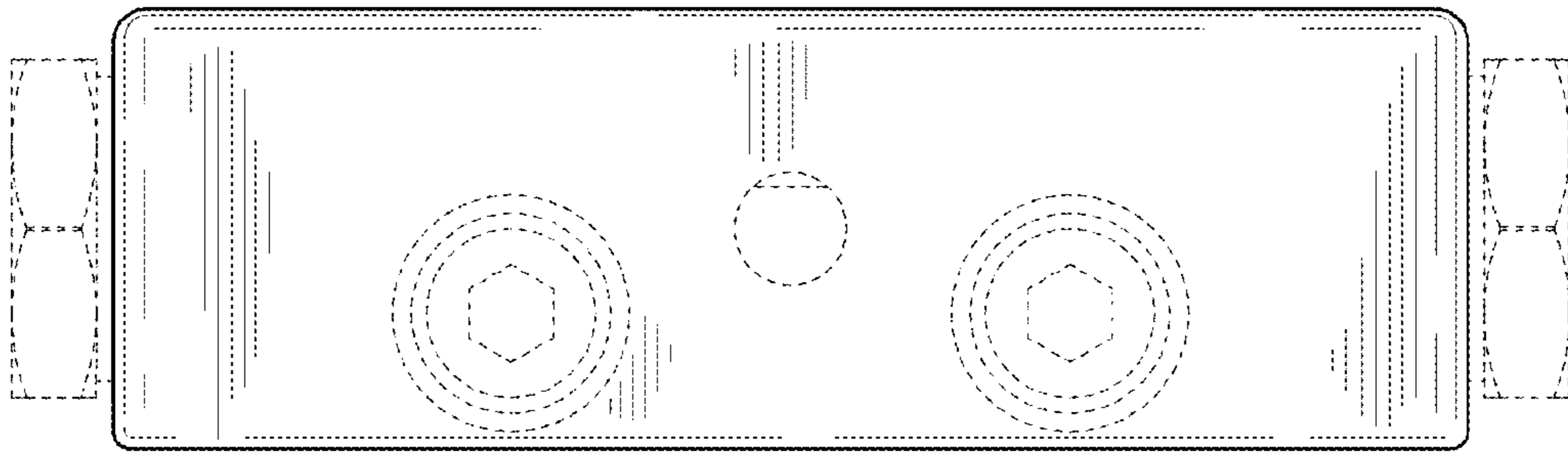


Fig. 5

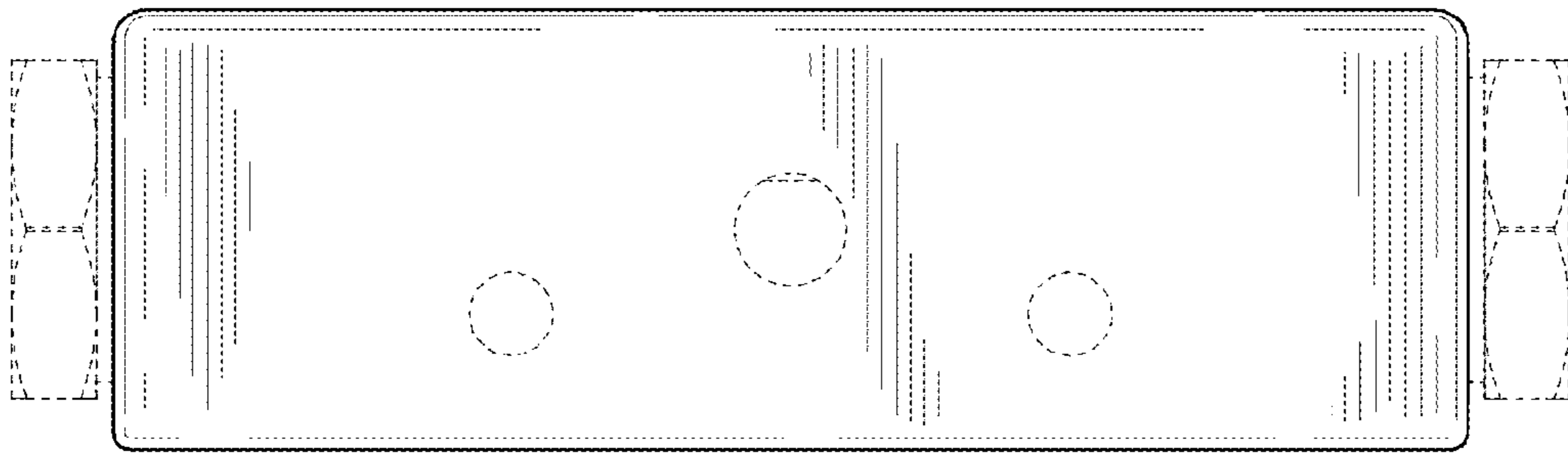


Fig. 6

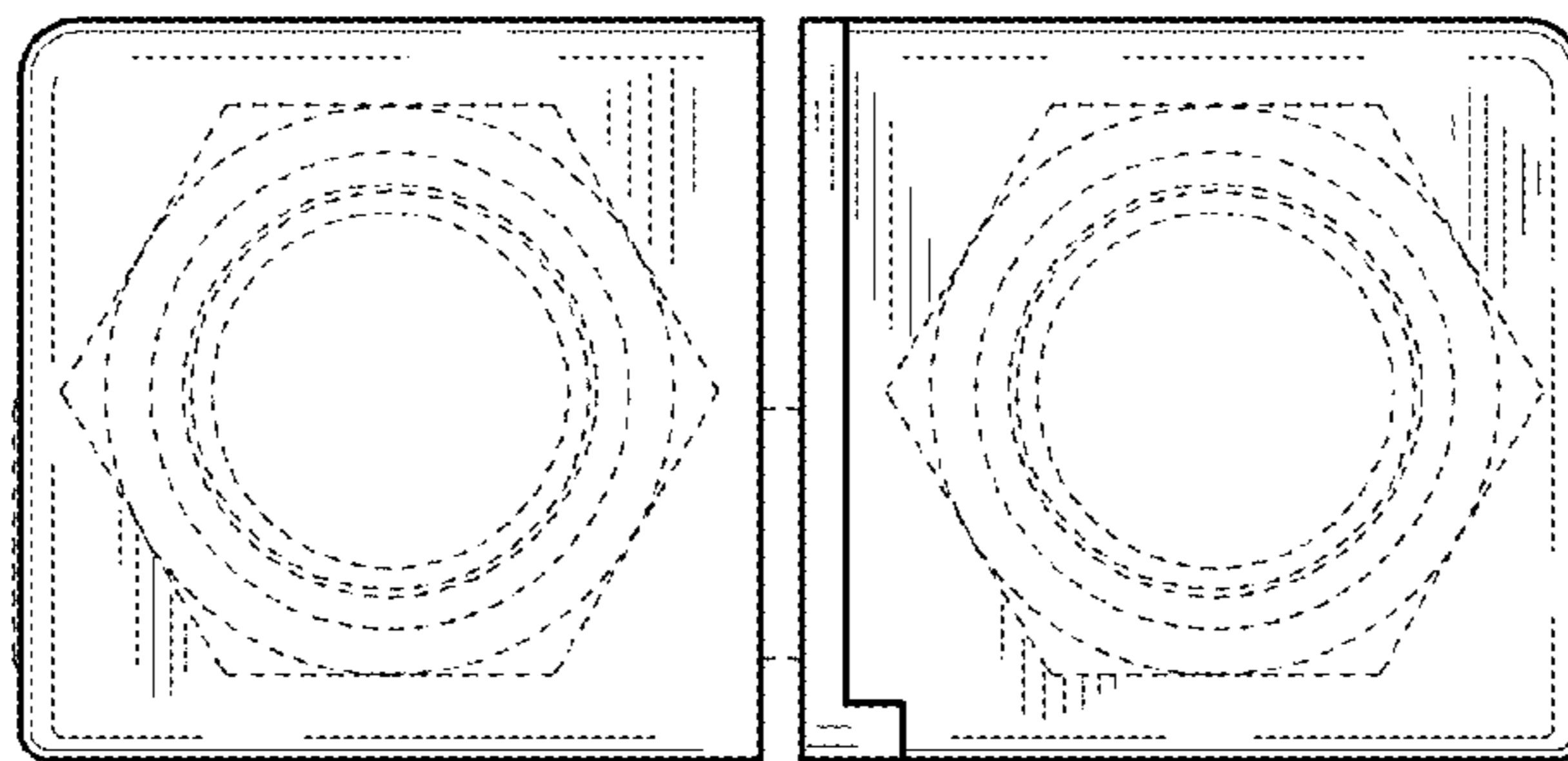


Fig. 7

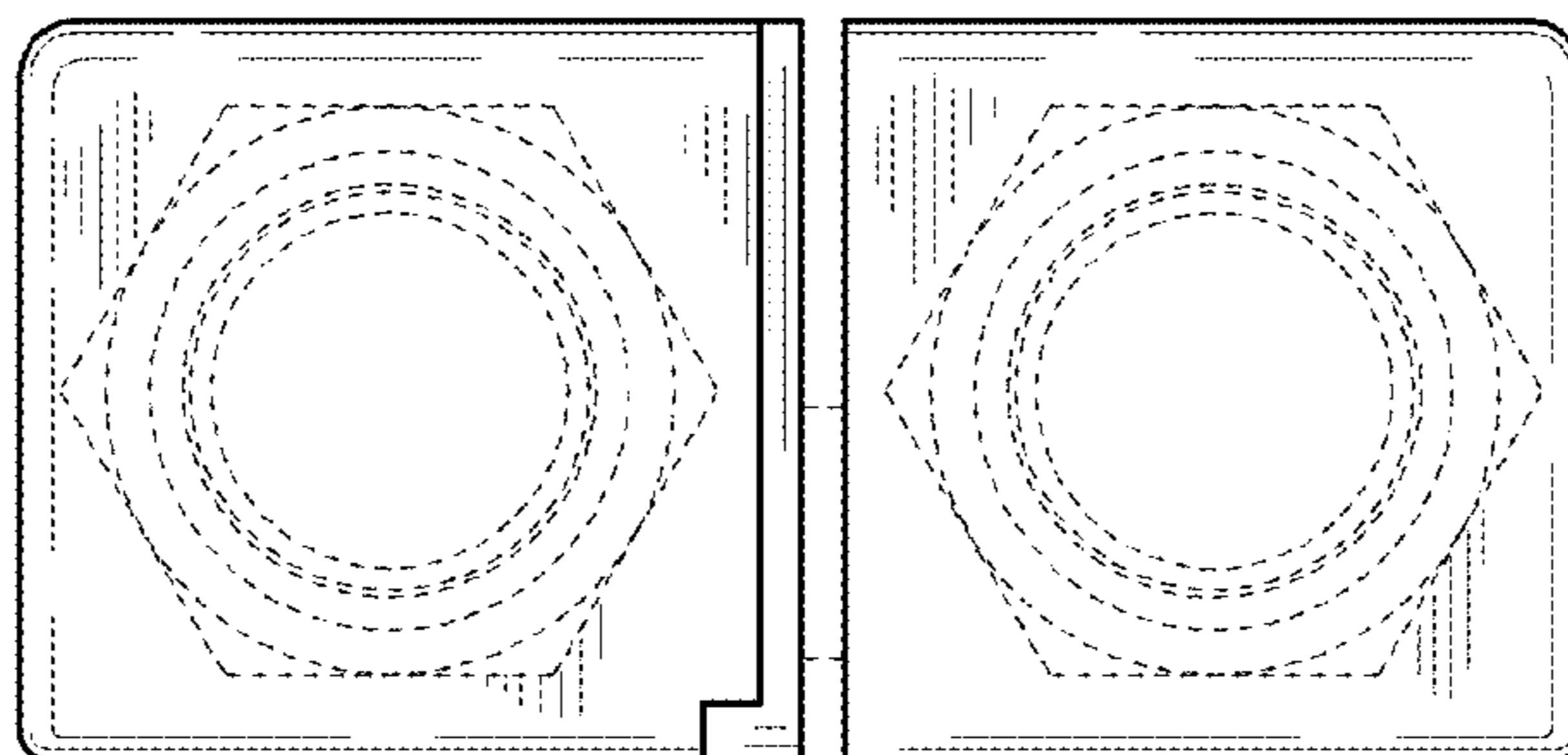
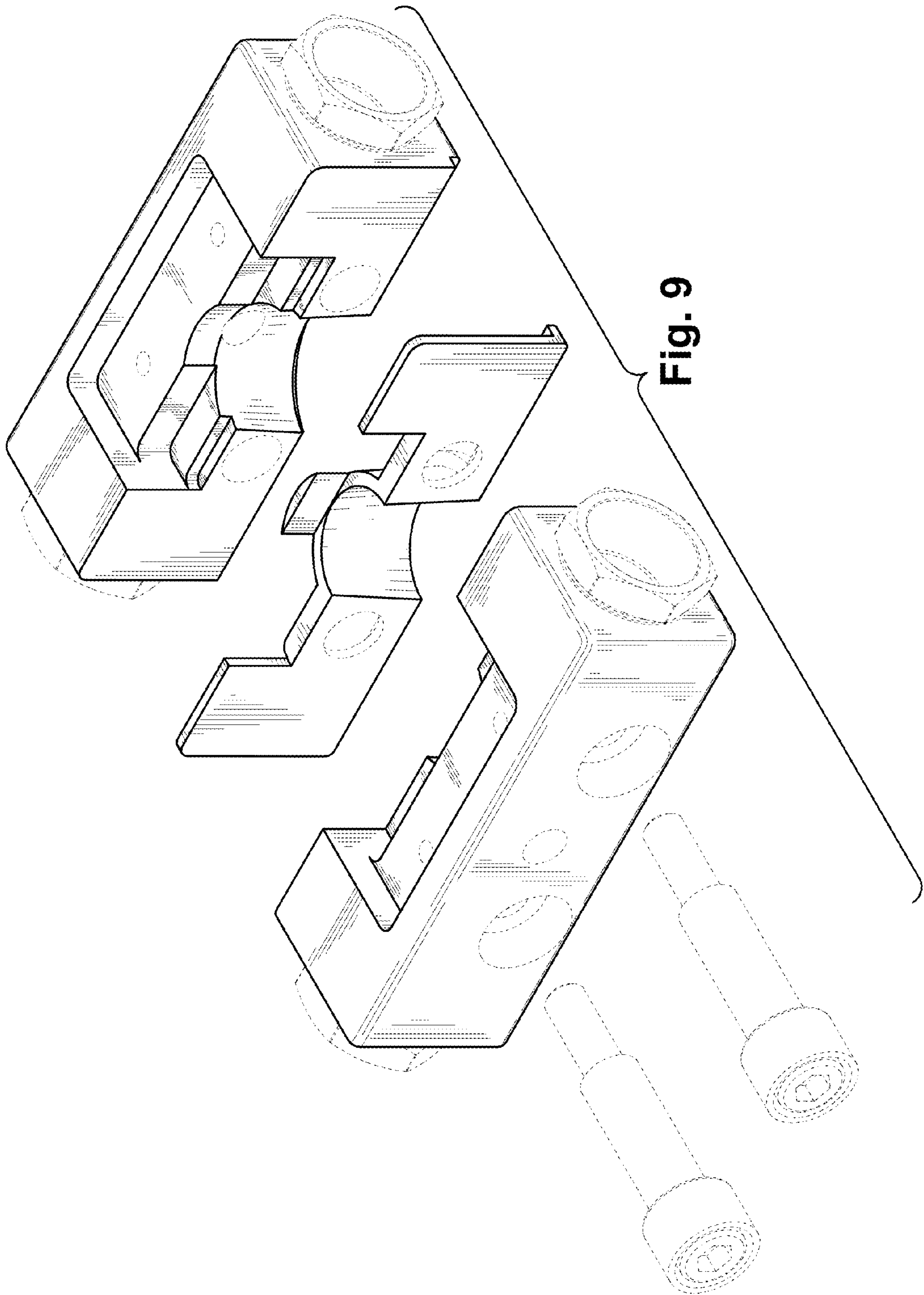


Fig. 8



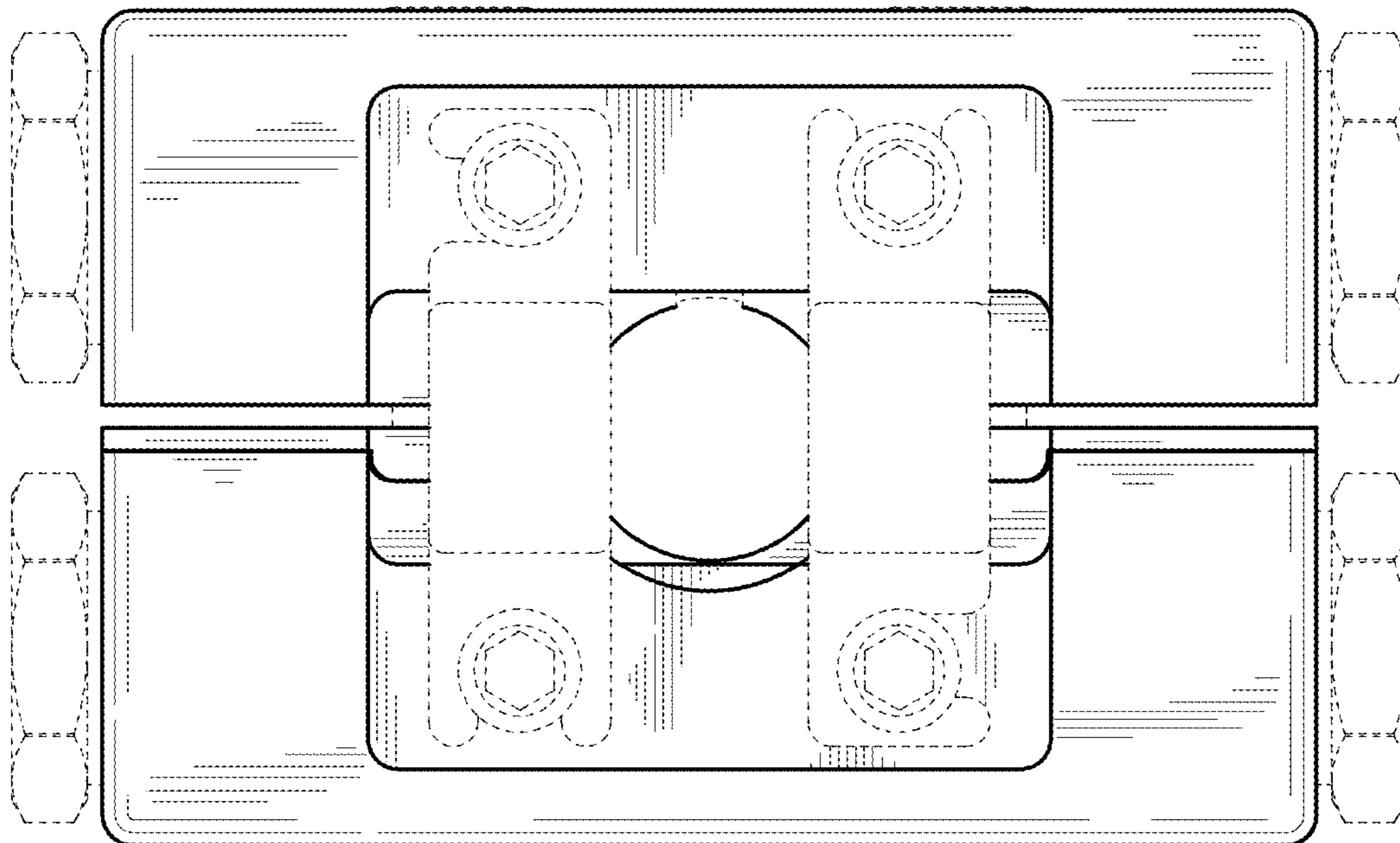


Fig. 10