



US00D928707S

(12) **United States Design Patent**  
**Zeng**

(10) **Patent No.:** **US D928,707 S**

(45) **Date of Patent:** **\*\* Aug. 24, 2021**

(54) **MULTI-SOCKET PLUG ADAPTER**

(71) Applicant: **Zhaokun Zeng**, Wuchuan (CN)

(72) Inventor: **Zhaokun Zeng**, Wuchuan (CN)

(\*\*) Term: **15 Years**

(21) Appl. No.: **29/725,751**

(22) Filed: **Feb. 27, 2020**

(30) **Foreign Application Priority Data**

Sep. 2, 2019 (CN) ..... 201930479829.8

(51) **LOC (13) Cl.** ..... **13-02**

(52) **U.S. Cl.**

USPC ..... **D13/110; D13/137.2**

(58) **Field of Classification Search**

USPC ..... D13/110, 101, 107, 108, 118, 133,  
D13/137.1-137.4, 138.1, 138.2, 139.1,  
D13/146, 184, 199; D14/432, 433

CPC ..... H01R 4/66; H01R 13/44; H01R 13/4534;  
H01R 13/639; H01R 13/6633; H01R  
13/453; H01R 27/00; H01R 27/02; H01R  
29/00; H01R 31/06; H02M 1/10

See application file for complete search history.

(56) **References Cited**

**U.S. PATENT DOCUMENTS**

D480,358 S \* 10/2003 Klant ..... D13/110  
D623,595 S \* 9/2010 Ruffner ..... D13/139.1

D664,094 S \* 7/2012 Ruffner ..... D13/138.2  
D830,307 S \* 10/2018 Liu ..... D13/137.2  
D838,245 S \* 1/2019 Lin ..... D13/137.2  
D841,654 S \* 2/2019 Lin ..... D14/433  
D863,223 S \* 10/2019 Zeng ..... D13/137.2  
D864,863 S \* 10/2019 Lee ..... D13/110  
10,686,285 B2 \* 6/2020 Cai ..... H01R 31/06

\* cited by examiner

*Primary Examiner* — Derrick E Holland

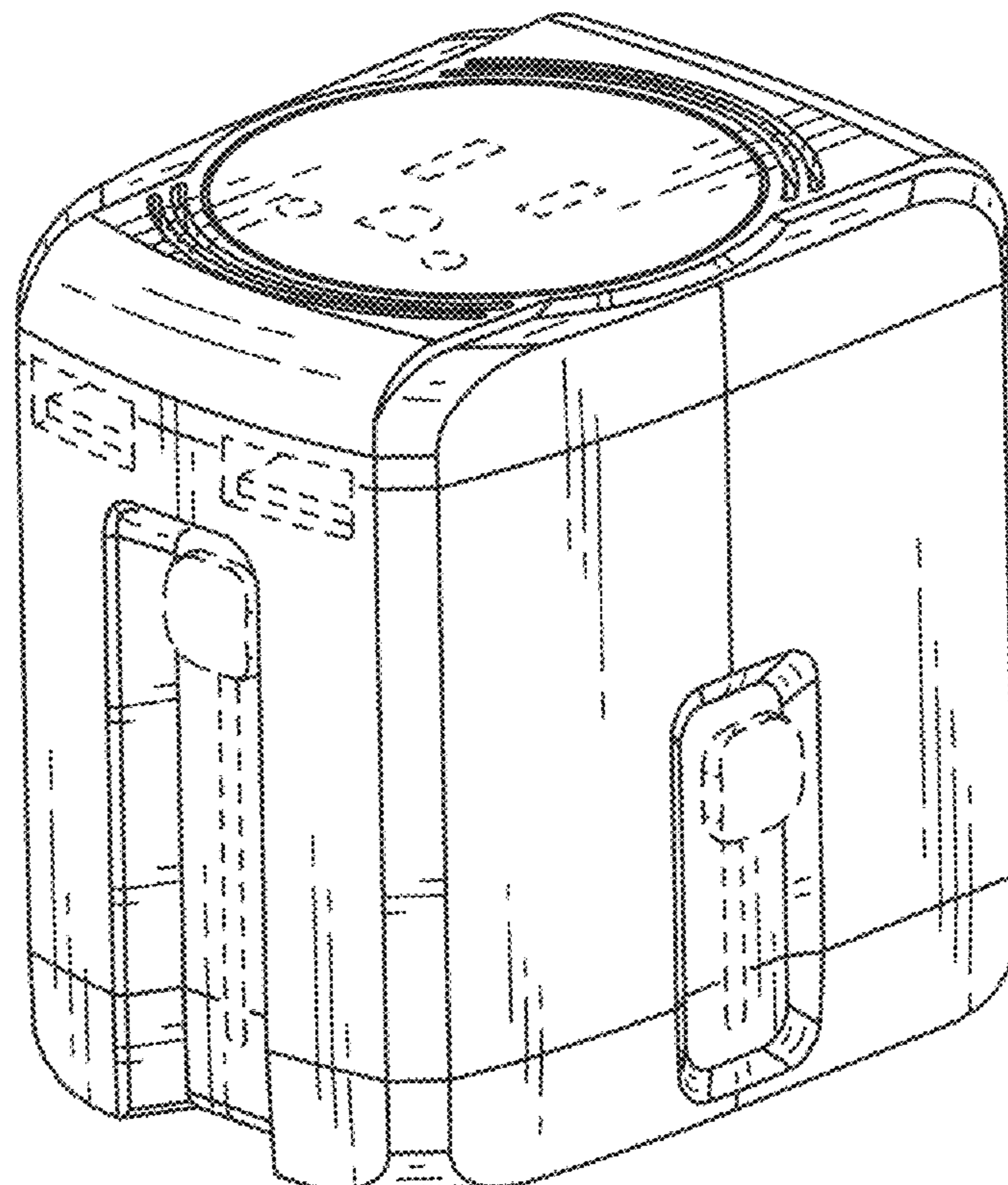
(57) **CLAIM**

The ornamental design for a multi-socket plug adapter, shown and described.

**DESCRIPTION**

FIG. 1 is a perspective view of a multi-socket plug adapter showing my new design;  
FIG. 2 is a front elevational view thereof;  
FIG. 3 is a rear elevational view thereof;  
FIG. 4 is a left side elevational view thereof;  
FIG. 5 is a right side elevational view thereof;  
FIG. 6 is a top plan view thereof;  
FIG. 7 is a bottom plan view thereof; and,  
FIG. 8 is another perspective view thereof.  
The broken lines in the drawings illustrate portions of the multi-socket plug adapter that forms no part of the claimed design.

**1 Claim, 8 Drawing Sheets**



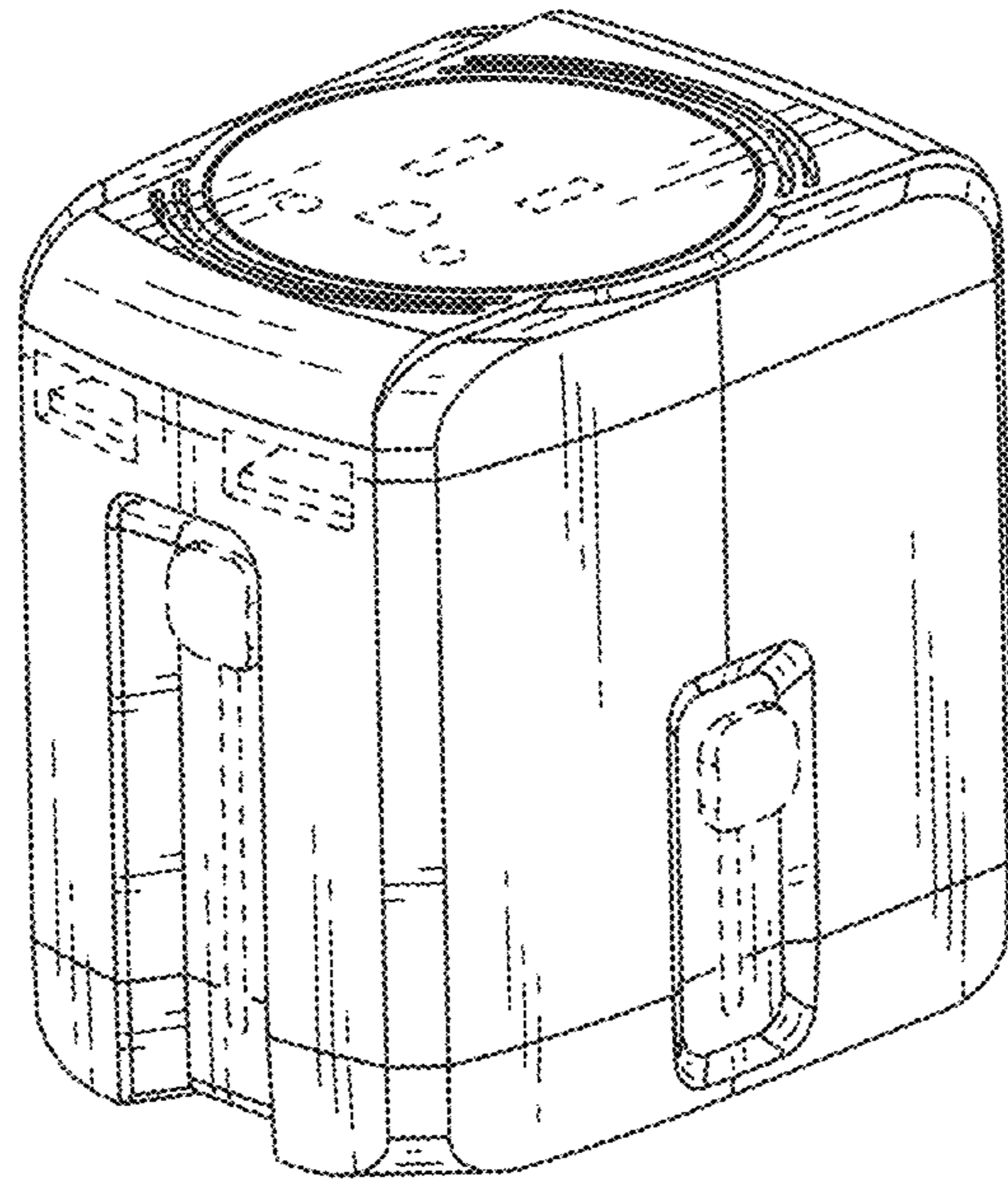


FIG. 1

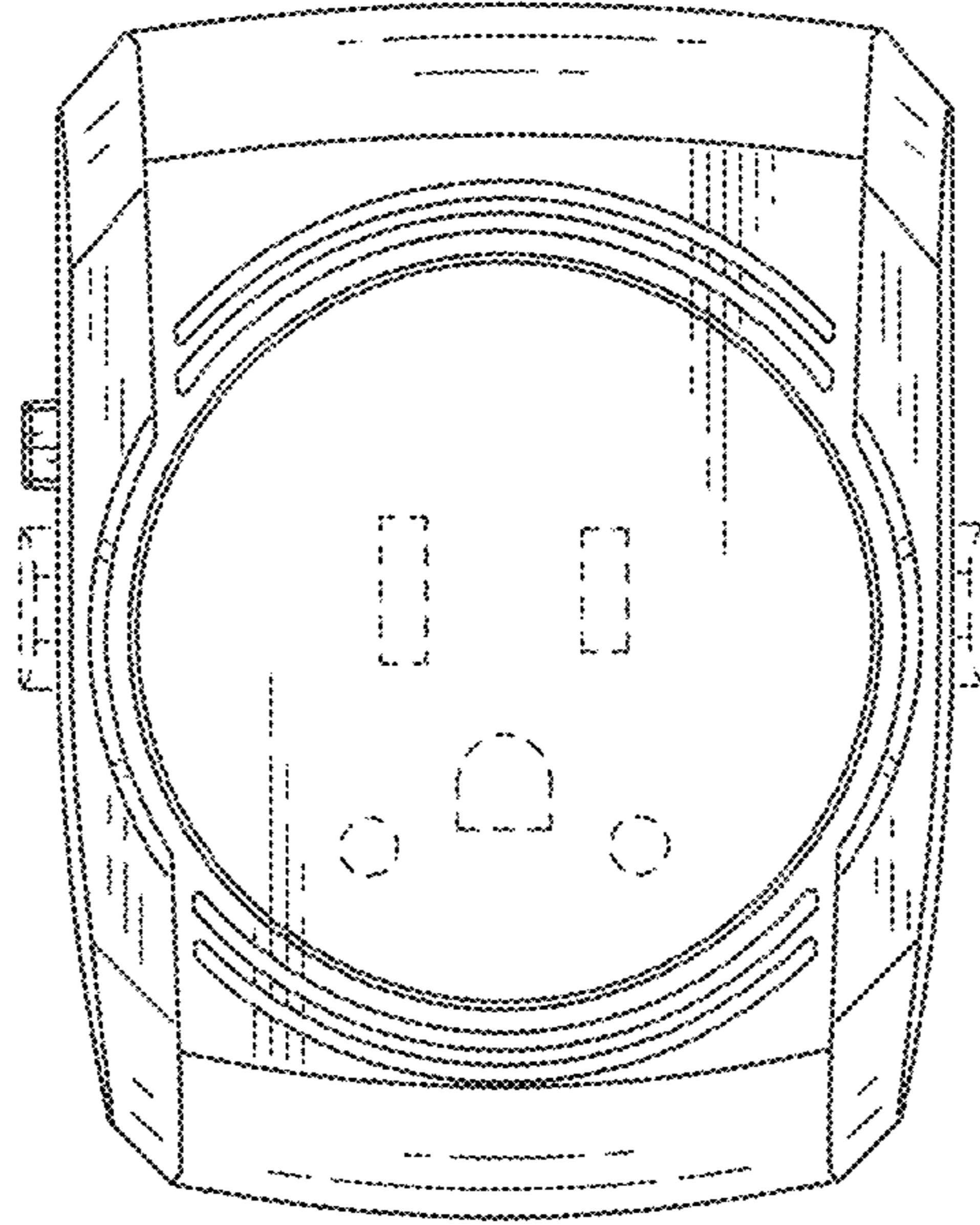


FIG. 2

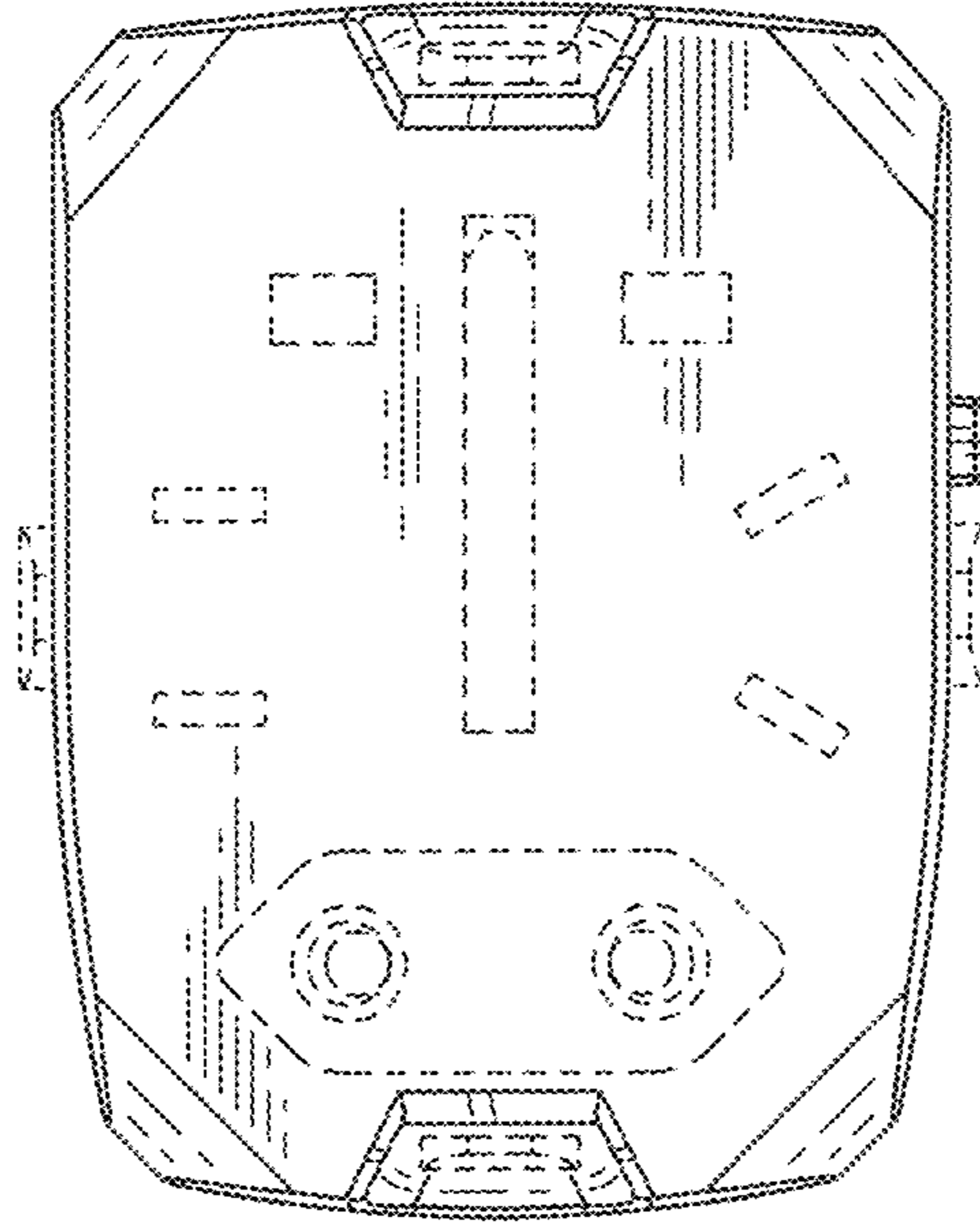


FIG. 3

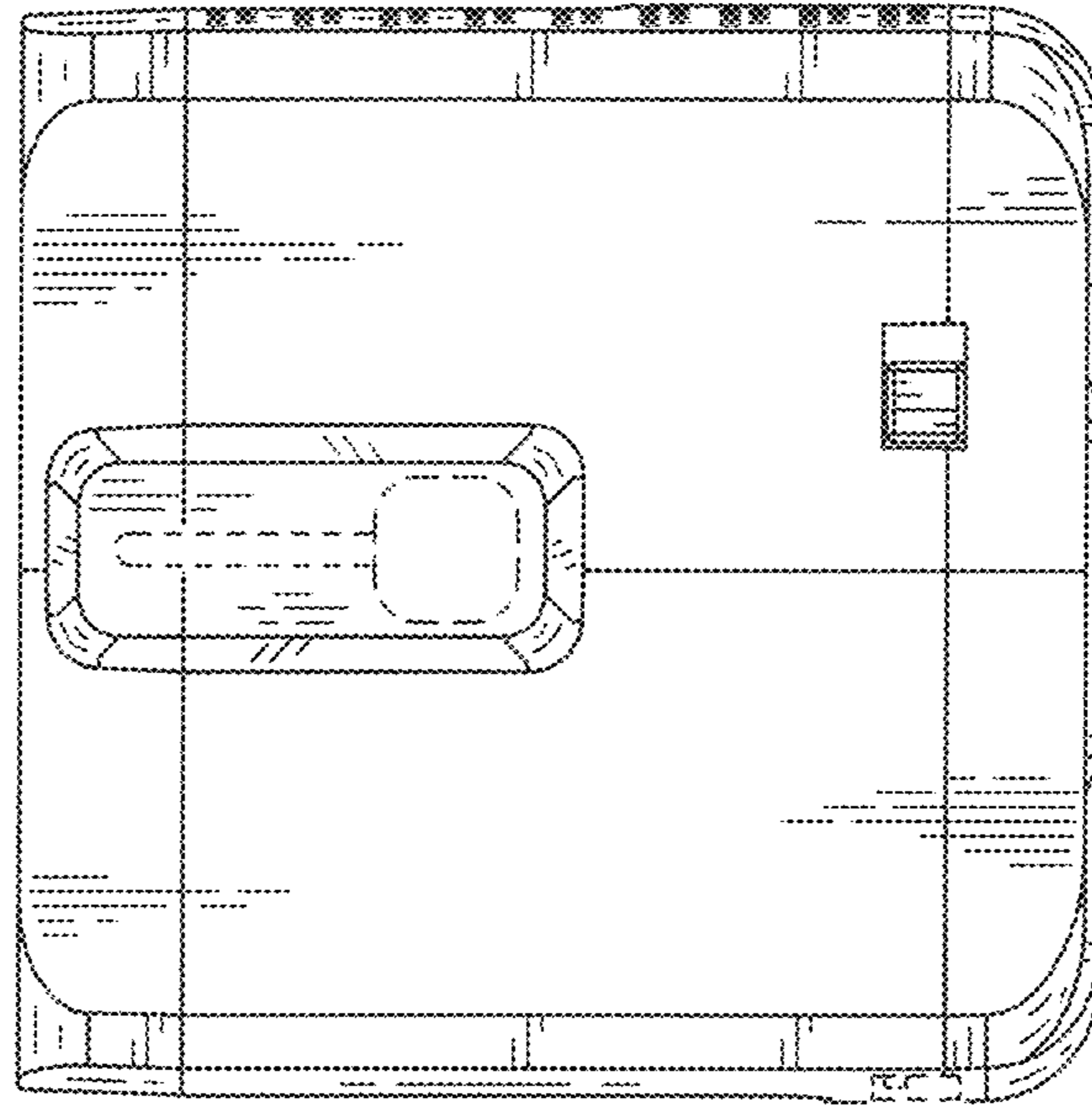


FIG. 4

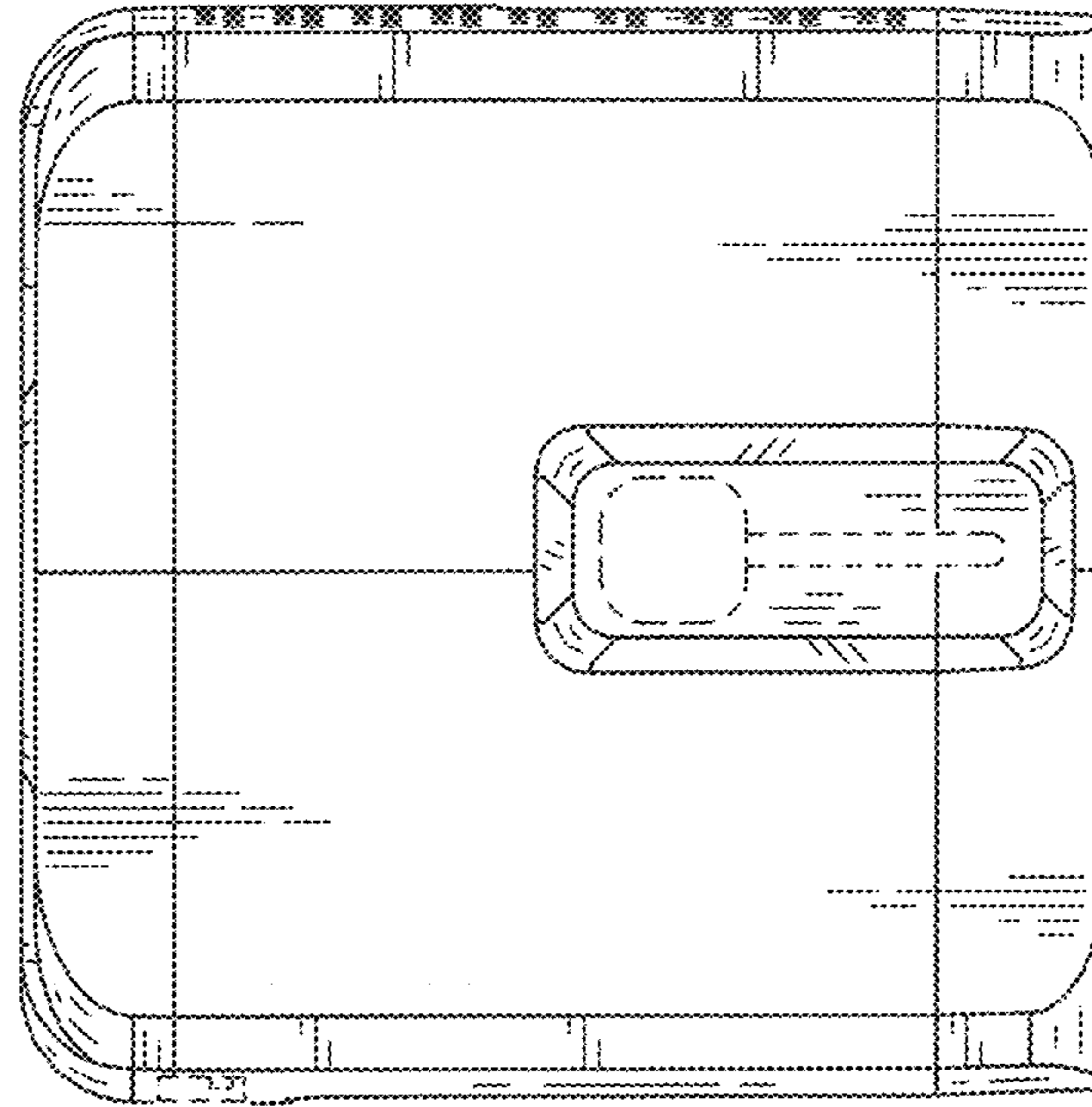


FIG. 5

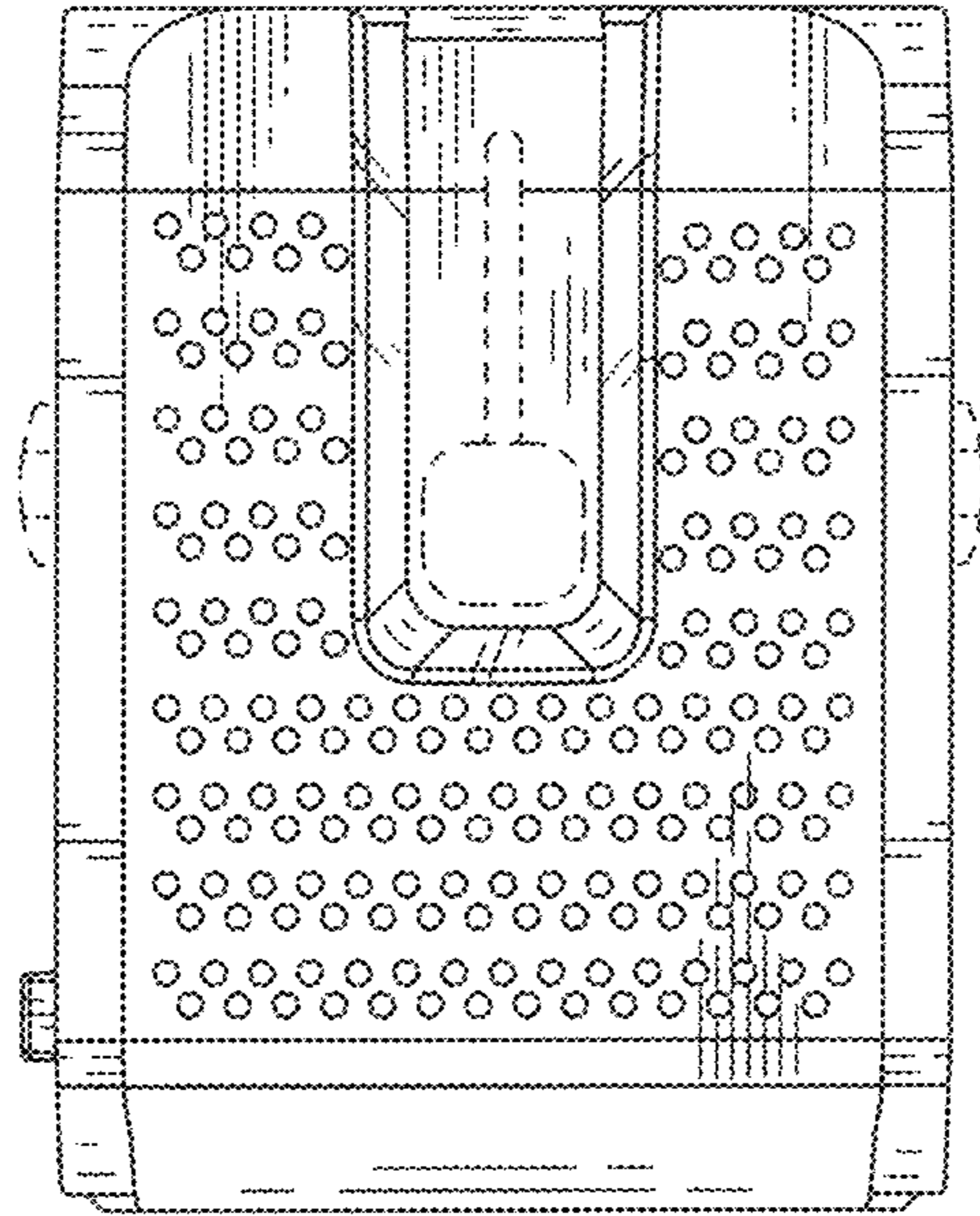


FIG. 6

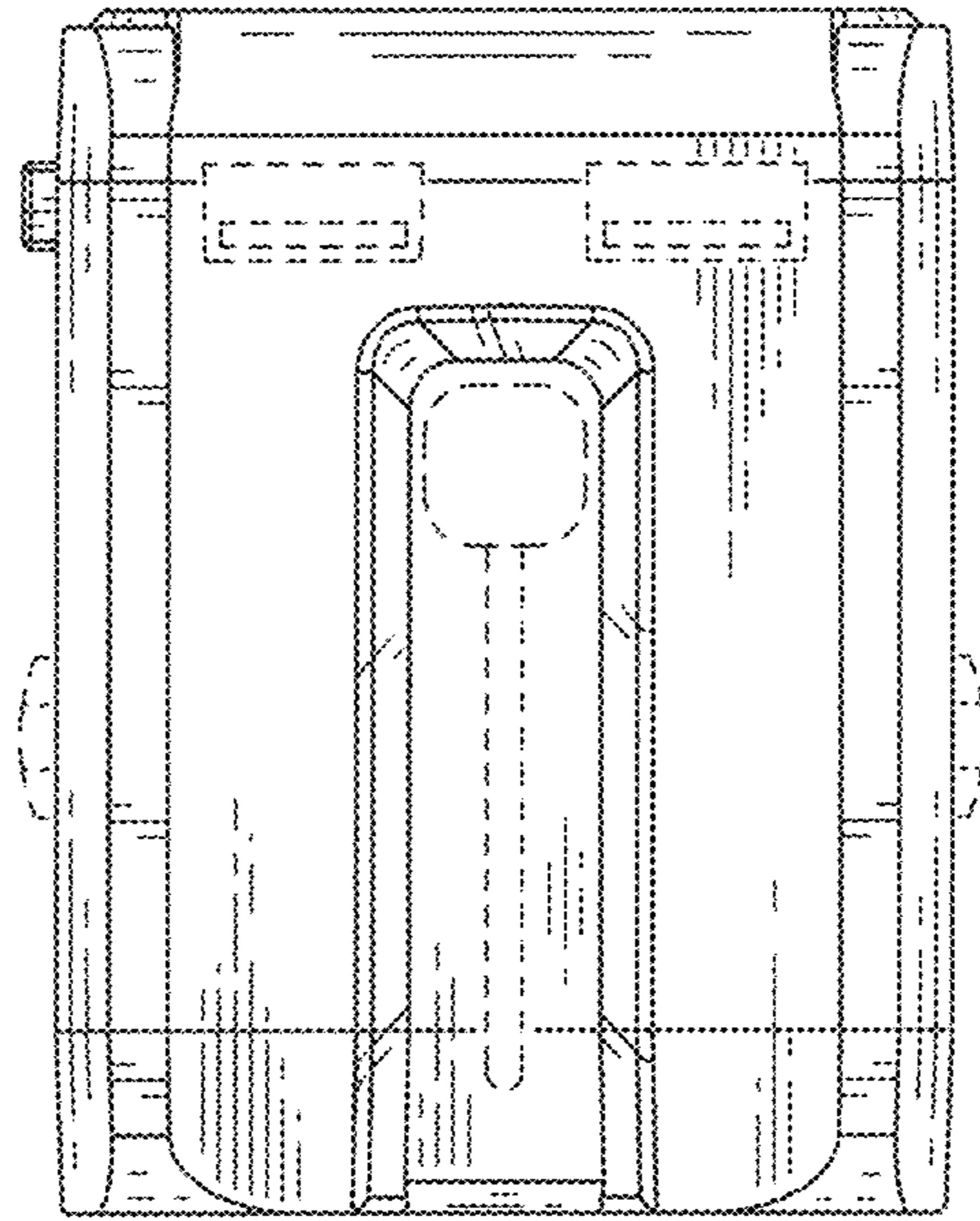


FIG. 7



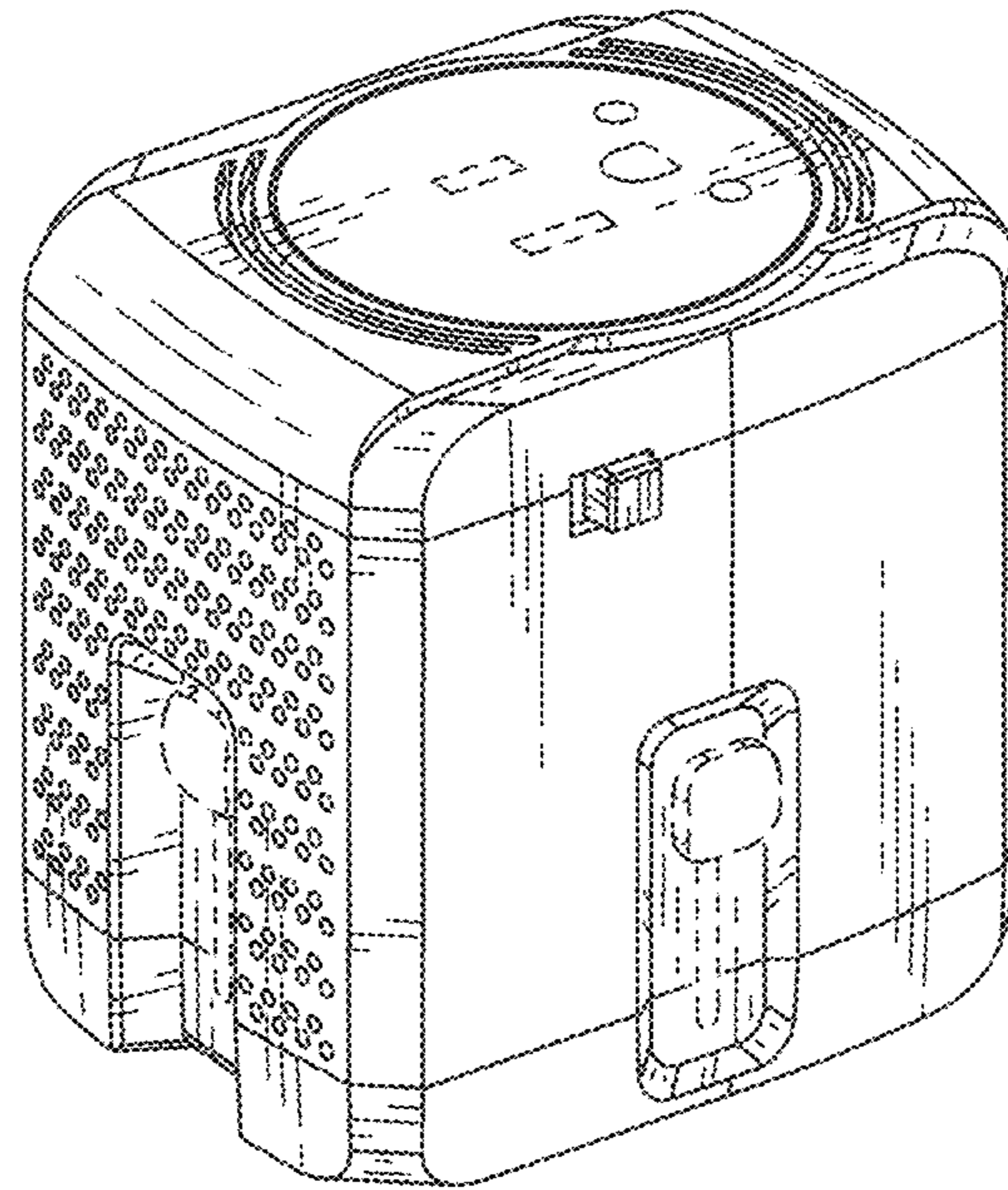


FIG. 8