



US00D928704S

(12) **United States Design Patent**
Ebrahimi Afrouzi et al.

(10) **Patent No.:** **US D928,704 S**

(45) **Date of Patent:** **** Aug. 24, 2021**

(54) **POWER ADAPTER**

(71) Applicants: **Ali Ebrahimi Afrouzi**, San Jose, CA (US); **Shahin Fathi Djalali**, San Francisco, CA (US)

(72) Inventors: **Ali Ebrahimi Afrouzi**, San Jose, CA (US); **Shahin Fathi Djalali**, San Francisco, CA (US)

(**) Term: **15 Years**

(21) Appl. No.: **29/627,468**

(22) Filed: **Nov. 28, 2017**

(51) **LOC (13) Cl.** **13-03**

(52) **U.S. Cl.**
USPC **D13/110**; D14/433

(58) **Field of Classification Search**
USPC D13/108, 110, 118, 123, 133, 137.1, D13/137.3, 138.1, 138.2, 139.3, 139.4, D13/154, 173, 183, 199; D14/433
CPC B65H 75/40; B65H 75/44; B65H 75/48; F21V 27/00; H01R 39/00; H01R 13/44; H02G 11/02; H02J 7/00; H04R 1/10; H05K 5/00; H05K 5/02
See application file for complete search history.

(56) **References Cited**

U.S. PATENT DOCUMENTS

D313,166 S *	12/1990	Kovacik	D8/358
D341,076 S *	11/1993	Kolton	D13/154
D350,137 S *	8/1994	Watanabe	D14/238
5,345,794 A *	9/1994	Jenks	E05B 67/36 70/14
D387,062 S *	12/1997	Heine	D10/72
D443,590 S *	6/2001	Vende	D13/137.4
D461,451 S *	8/2002	Hawley	D13/137.4
D561,565 S *	2/2008	Mitchell	D8/358
D720,289 S *	12/2014	Chiang	D13/108
D747,755 S *	1/2016	Scalisi	D16/203

D791,700 S *	7/2017	Loewen	D13/108
D803,922 S *	11/2017	Chang	D16/203
D815,096 S *	4/2018	Ebrahimi Afrouzi	D14/433
D824,791 S *	8/2018	Scalisi	D10/118
D865,768 S *	11/2019	Du	D14/434
D875,732 S *	2/2020	Tak	D14/433
D890,020 S *	7/2020	Burke	D11/215
D892,121 S *	8/2020	Tak	D14/433
D896,751 S *	9/2020	Ebrahimi Afrouzi	D13/110
D899,359 S *	10/2020	Zhang	D13/108
D902,210 S *	11/2020	Jensen	D14/433
D904,981 S *	12/2020	Worthy	D13/110
D906,979 S *	1/2021	Chen	D13/146
D908,620 S *	1/2021	Akana	D13/108
2002/0040945 A1 *	4/2002	Stepancich	H02G 11/02 242/378.1
2012/0314896 A1 *	12/2012	Bryant	H04R 1/1033 381/380
2016/0380446 A1 *	12/2016	Loewen	H02J 7/00 320/107

(Continued)

Primary Examiner — Shawn T Gingrich

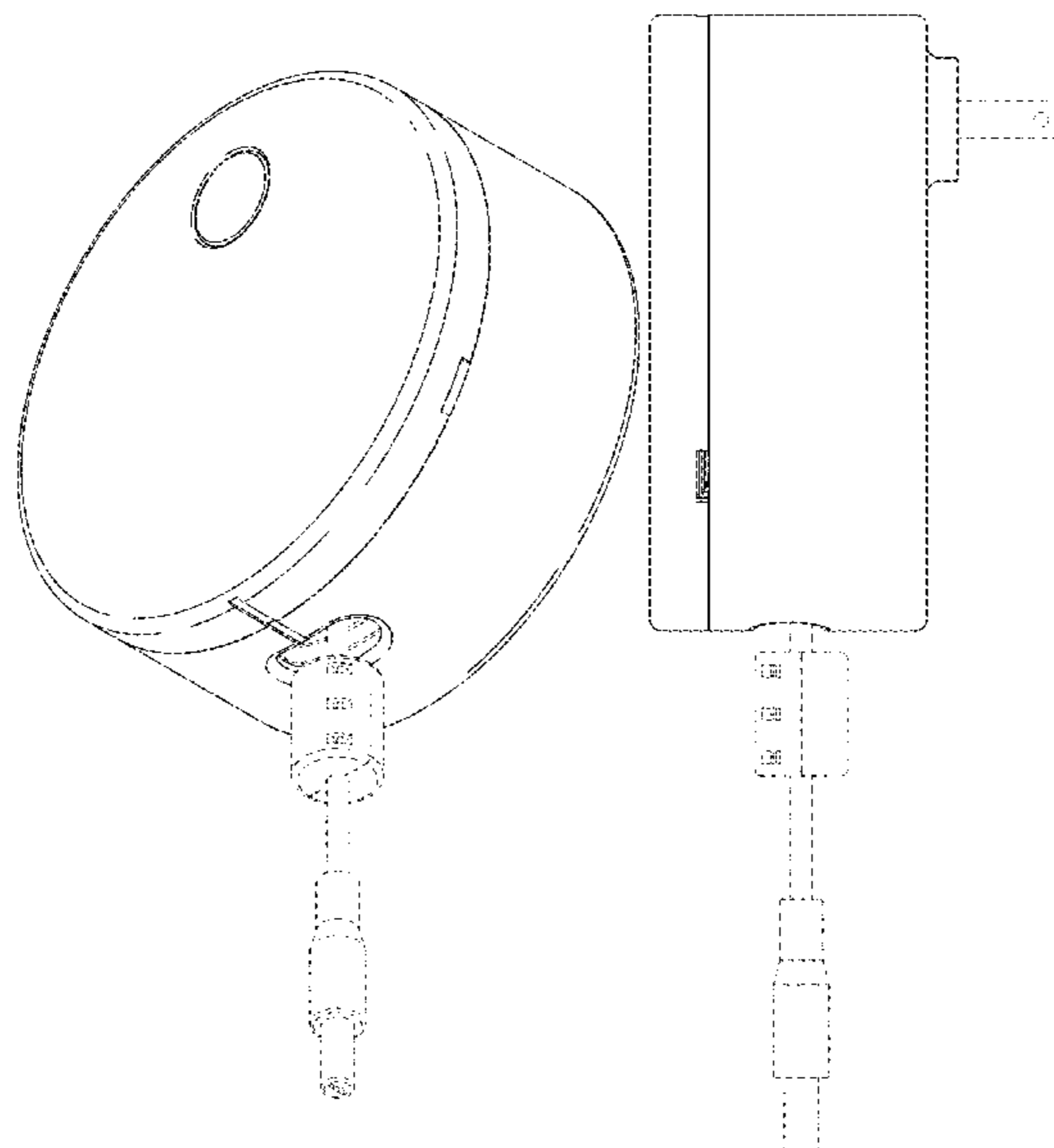
(57) **CLAIM**

The ornamental design for a power adapter, as shown and described.

DESCRIPTION

FIG. 1 is a front view of a power adapter with retracting cord showing our new design;
FIG. 2 is a front perspective view thereof;
FIG. 3 is a first bottom front perspective view thereof;
FIG. 4 is a second bottom front perspective view thereof shown in an alternate position;
FIG. 5 is a right side elevation view thereof;
FIG. 6 is a top plan view thereof;
FIG. 7 is a rear view thereof; and,
FIG. 8 is a bottom plan view thereof.
The broken lines in the drawings illustrate portions of the power adapter that form no part of the claimed design.

1 Claim, 8 Drawing Sheets



(56)

References Cited

U.S. PATENT DOCUMENTS

2017/0104297 A1* 4/2017 Scott H01R 13/6675
2018/0269672 A1* 9/2018 Ebrahimi Afrouzi .. H02G 11/02
2018/0346281 A1* 12/2018 Hall B65H 75/38

* cited by examiner

FIG. 1

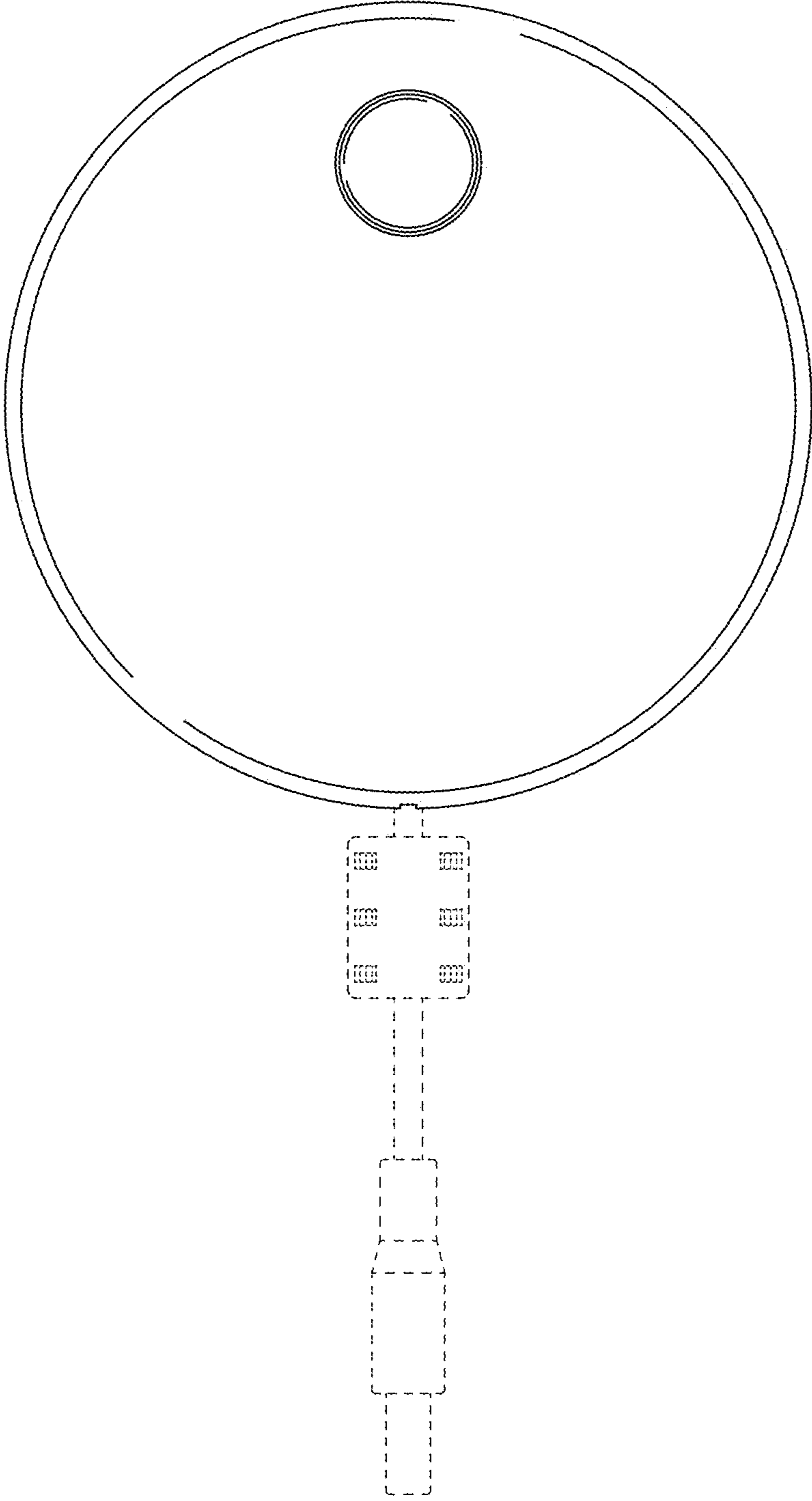


FIG. 2

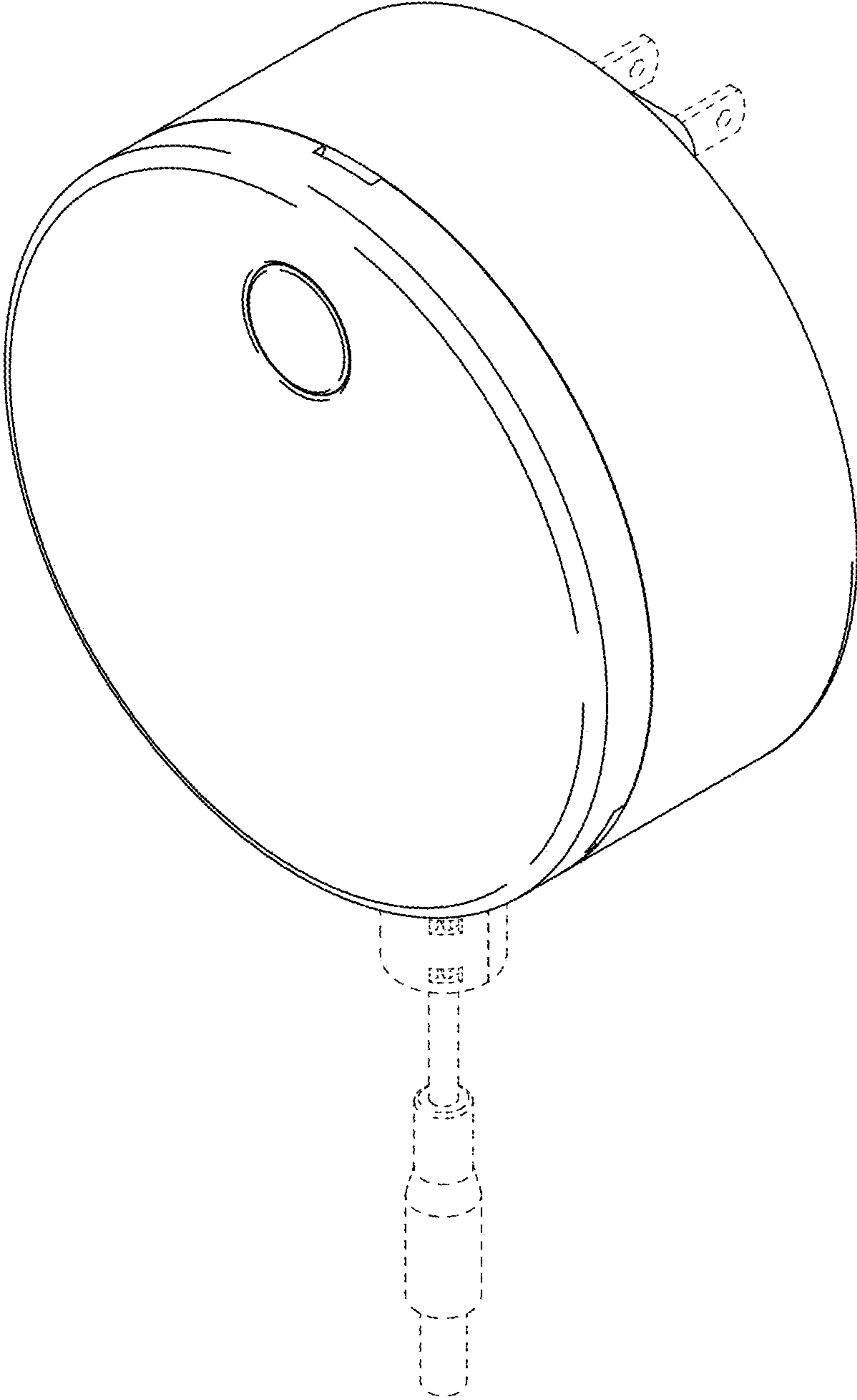


FIG. 3

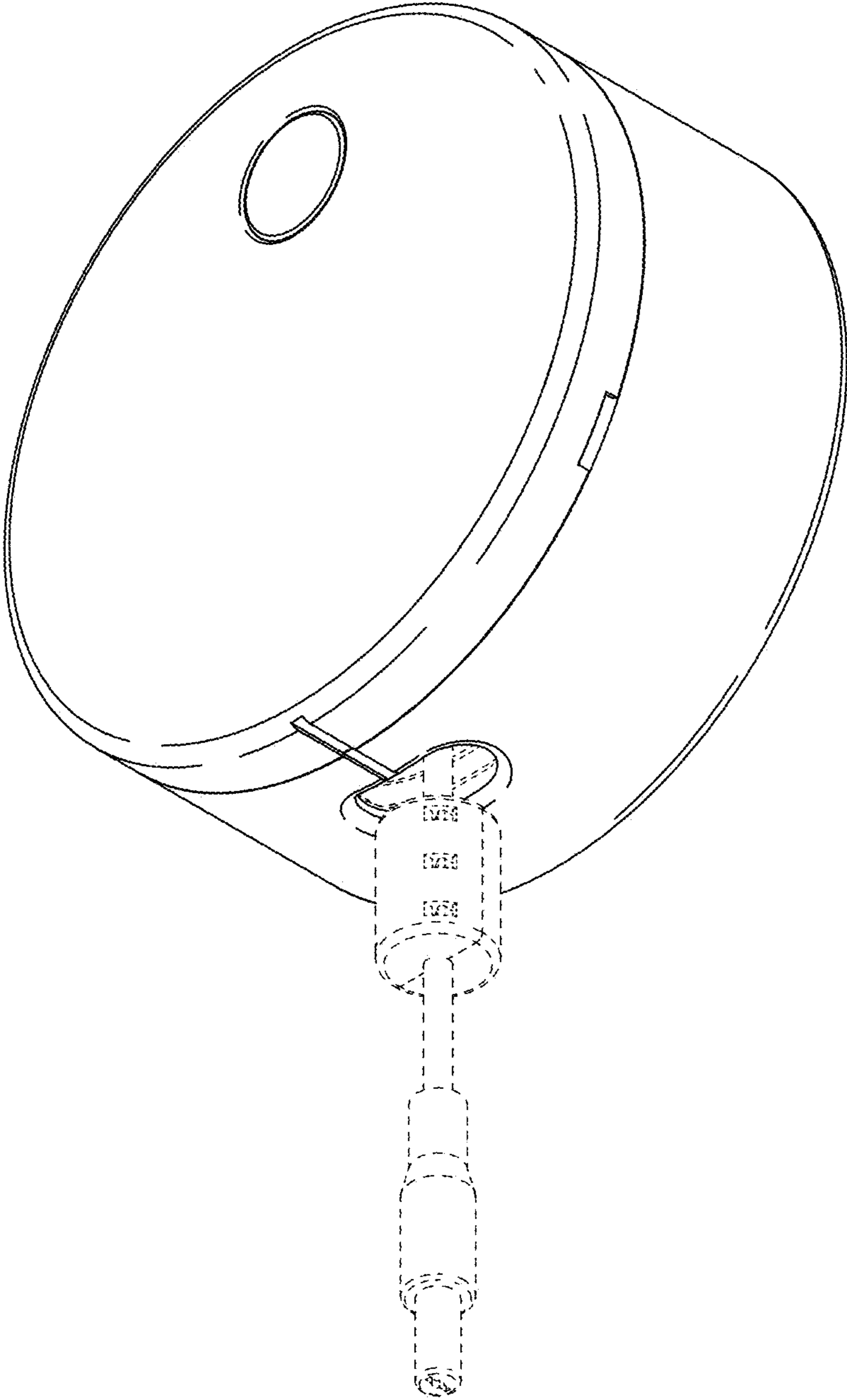


FIG. 4

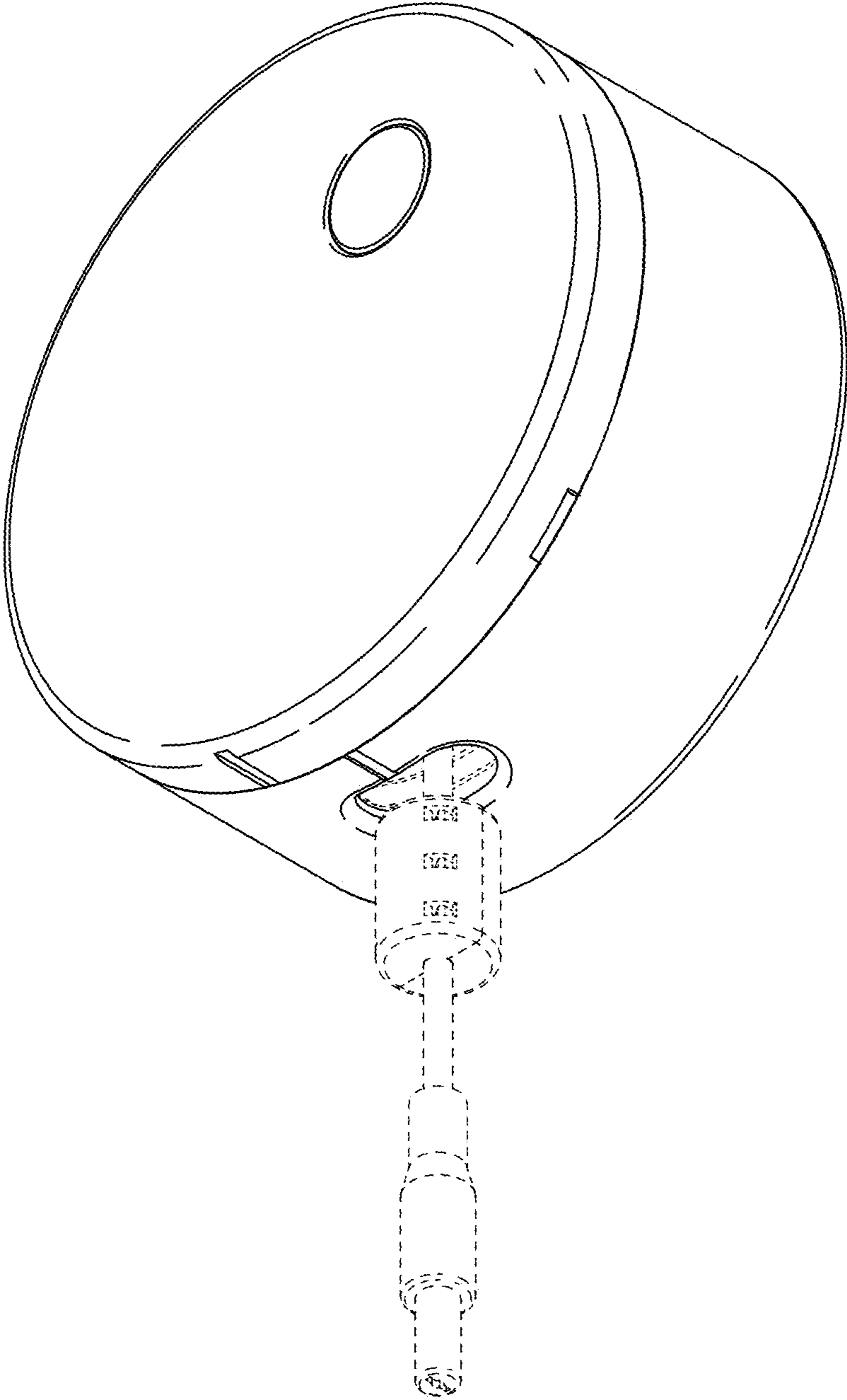


FIG. 5

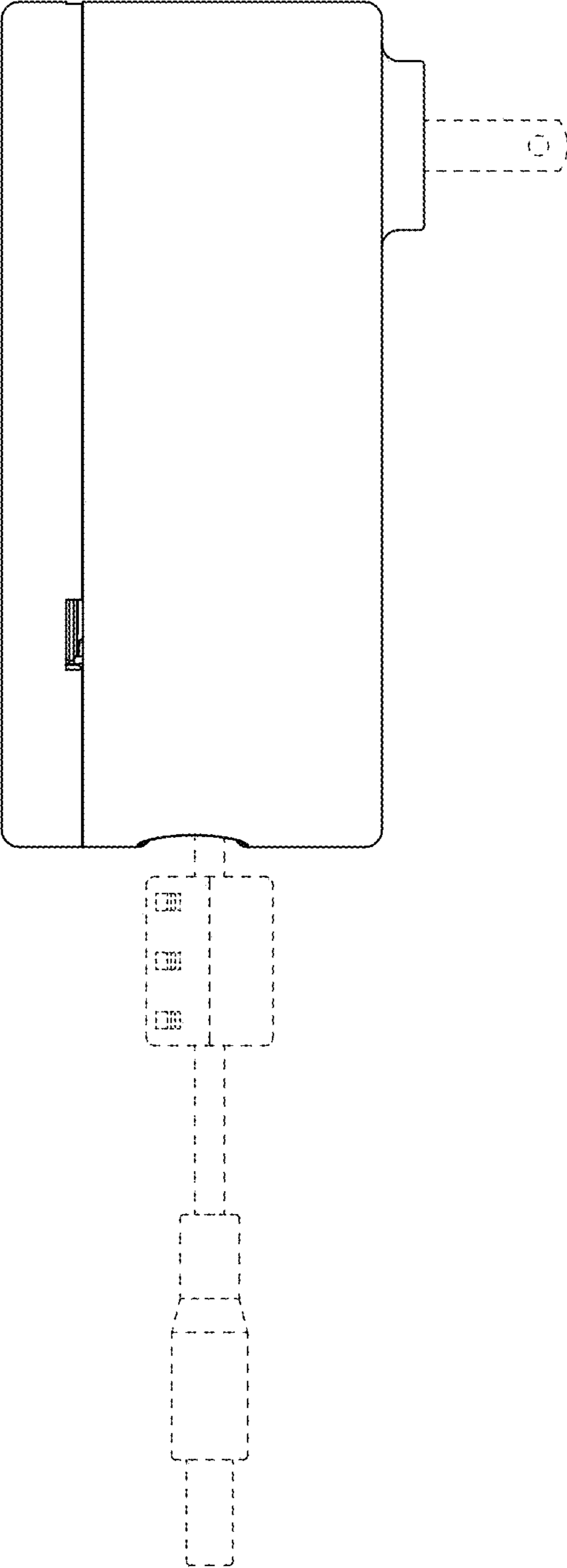


FIG. 6

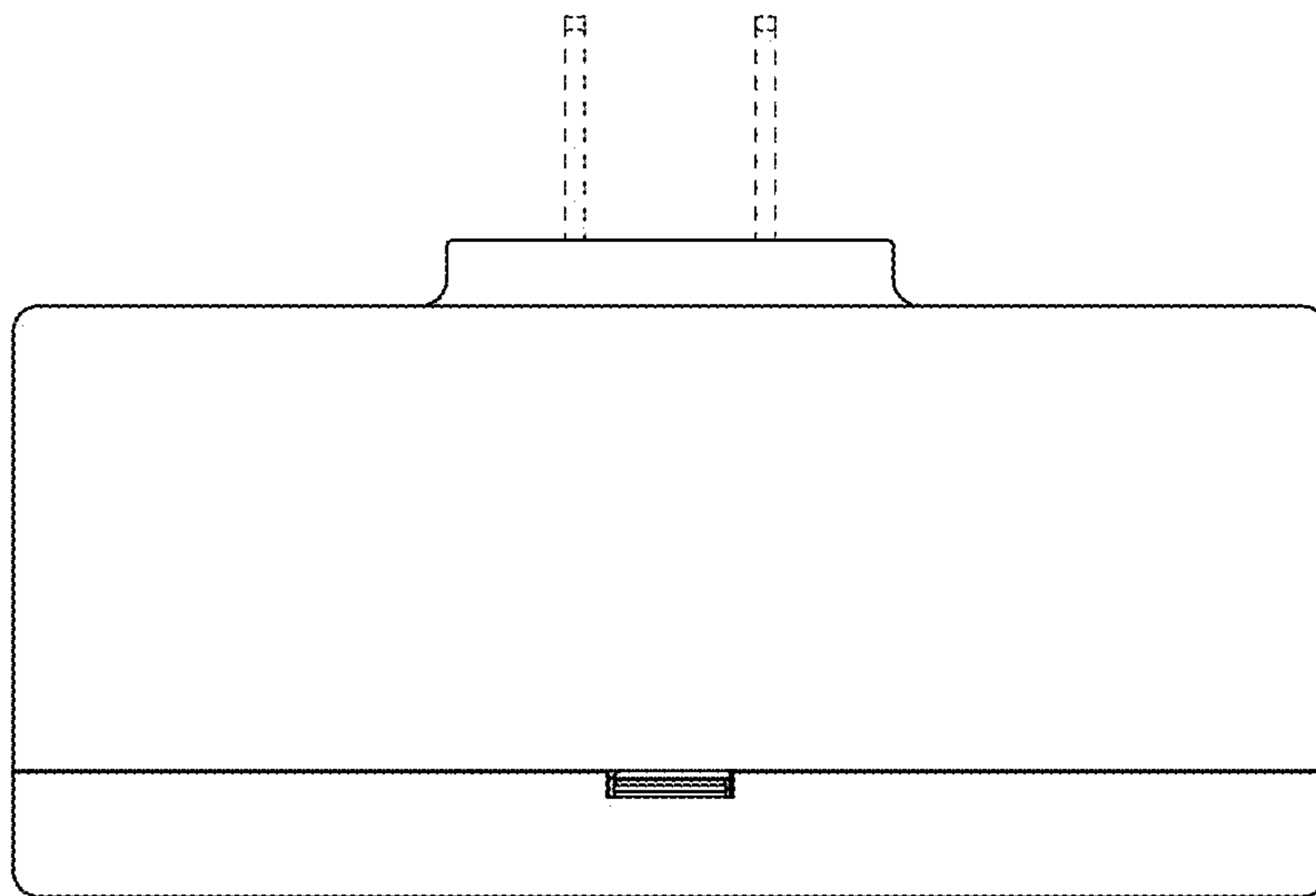


FIG. 7

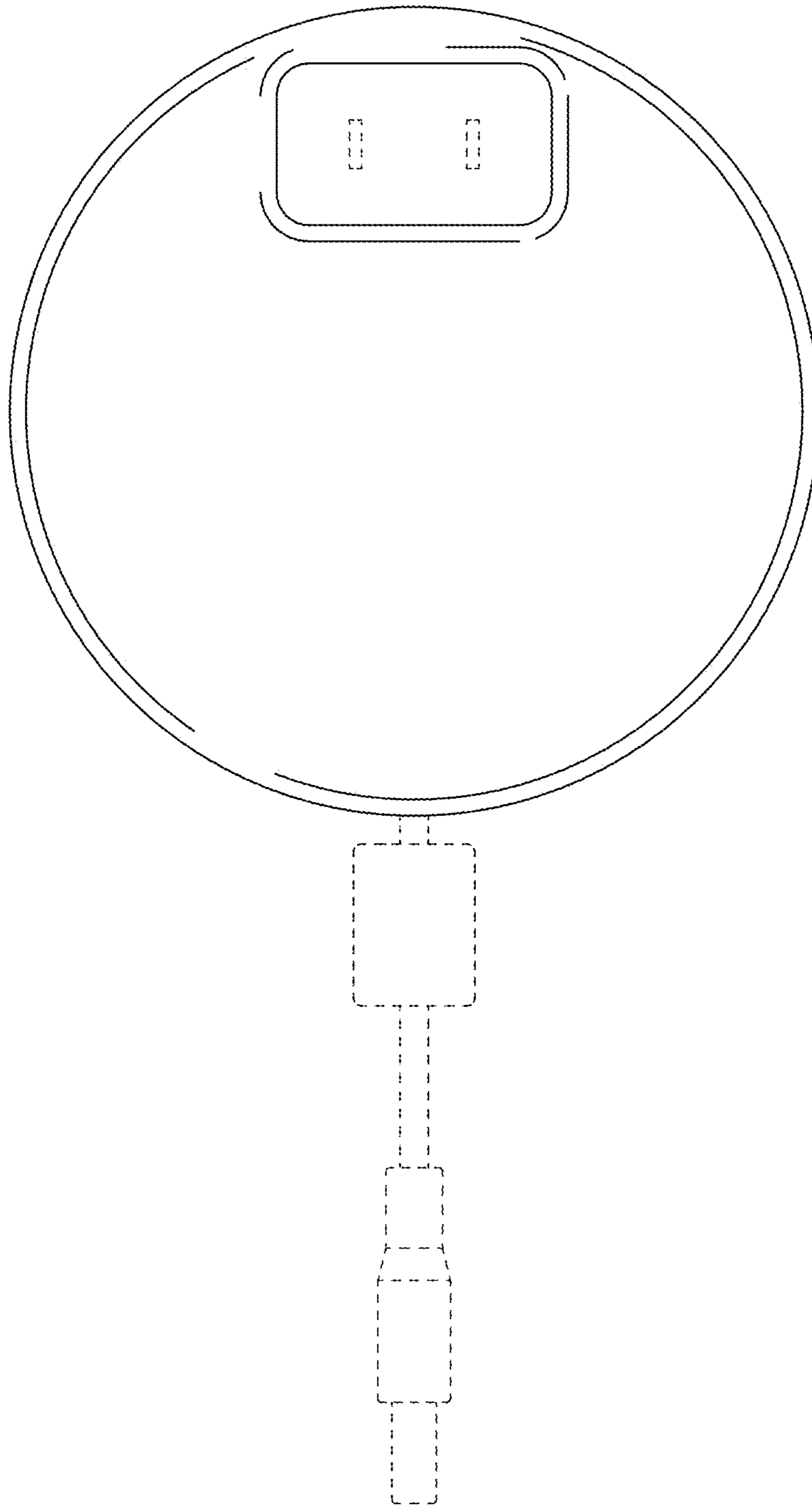


FIG. 8

