



US00D928703S

(12) **United States Design Patent**  
**Liao**

(10) **Patent No.:** **US D928,703 S**

(45) **Date of Patent:** **\*\* Aug. 24, 2021**

(54) **WIRELESS CHARGER STAND**

(71) Applicant: **GUANGDONG GOPOD GROUP HOLDING CO., LTD.**, Shenzhen (CN)

(72) Inventor: **Zhuowen Liao**, Shenzhen (CN)

(73) Assignee: **Guangdong Gopod Group Holding Co., Ltd.**, Shenzhen (CN)

(\*\*) Term: **15 Years**

(21) Appl. No.: **29/716,580**

(22) Filed: **Dec. 10, 2019**

(30) **Foreign Application Priority Data**

Sep. 19, 2019 (CN) ..... 201930514709.7

(51) **LOC (13) Cl.** ..... **13-02**

(52) **U.S. Cl.**  
USPC ..... **D13/108; D14/253**

(58) **Field of Classification Search**  
USPC ..... D13/101, 103, 107, 108, 118, 119;  
D6/682, 682.1; D14/251, 252, 253, 432,  
D14/434, 447

CPC ..... H04B 1/3877; H04B 1/3883; H04M 1/06;  
G04G 19/02

See application file for complete search history.

(56) **References Cited**

**U.S. PATENT DOCUMENTS**

D762,650 S *	8/2016	Dang	.....	D14/434
D776,053 S *	1/2017	Barnard	.....	D13/108
D788,094 S *	5/2017	Kim	.....	D14/253
D794,984 S *	8/2017	Green	.....	D6/682.5
9,843,214 B2 *	12/2017	Peek	.....	H02J 50/90
D851,431 S *	6/2019	Jia	.....	D6/682.1
D851,587 S *	6/2019	Schmidt	.....	D13/108
D872,725 S *	1/2020	Lindof	.....	D14/253
D884,622 S *	5/2020	Huang	.....	D13/108
D893,422 S *	8/2020	Xiao	.....	D13/108

D904,978 S *	12/2020	Liao	.....	D13/108
2007/0135174 A1 *	6/2007	Musk	.....	H02J 7/0044 455/569.1
2020/0185952 A1 *	6/2020	Morrow	.....	H02J 7/0027

**OTHER PUBLICATIONS**

“Belkin Watch Valet Charge Dock”. Found online Feb. 10, 2021 at millennialmagazine.com. Reference dated Aug. 16, 2016. Retrieved from <https://millennialmagazine.com/2016/08/16/belkin-watch-valet-charge-dock-for-apple-watch/>. (Year: 2016).\*

(Continued)

*Primary Examiner* — Kendra Leslie Hamilton

*Assistant Examiner* — Amanda Christensen

(74) *Attorney, Agent, or Firm* — Wolf, Greenfield & Sacks, P.C.

(57) **CLAIM**

The ornamental design for a wireless charger stand, as shown and described.

**DESCRIPTION**

FIG. 1 is a top, front, right side isometric view of a wireless charger stand, showing my new design in a first configuration;

FIG. 2 is a bottom, rear, left side isometric view thereof;

FIG. 3 is a front elevation view thereof;

FIG. 4 is a rear elevation view thereof;

FIG. 5 is a top plan view thereof;

FIG. 6 is a bottom plan view thereof;

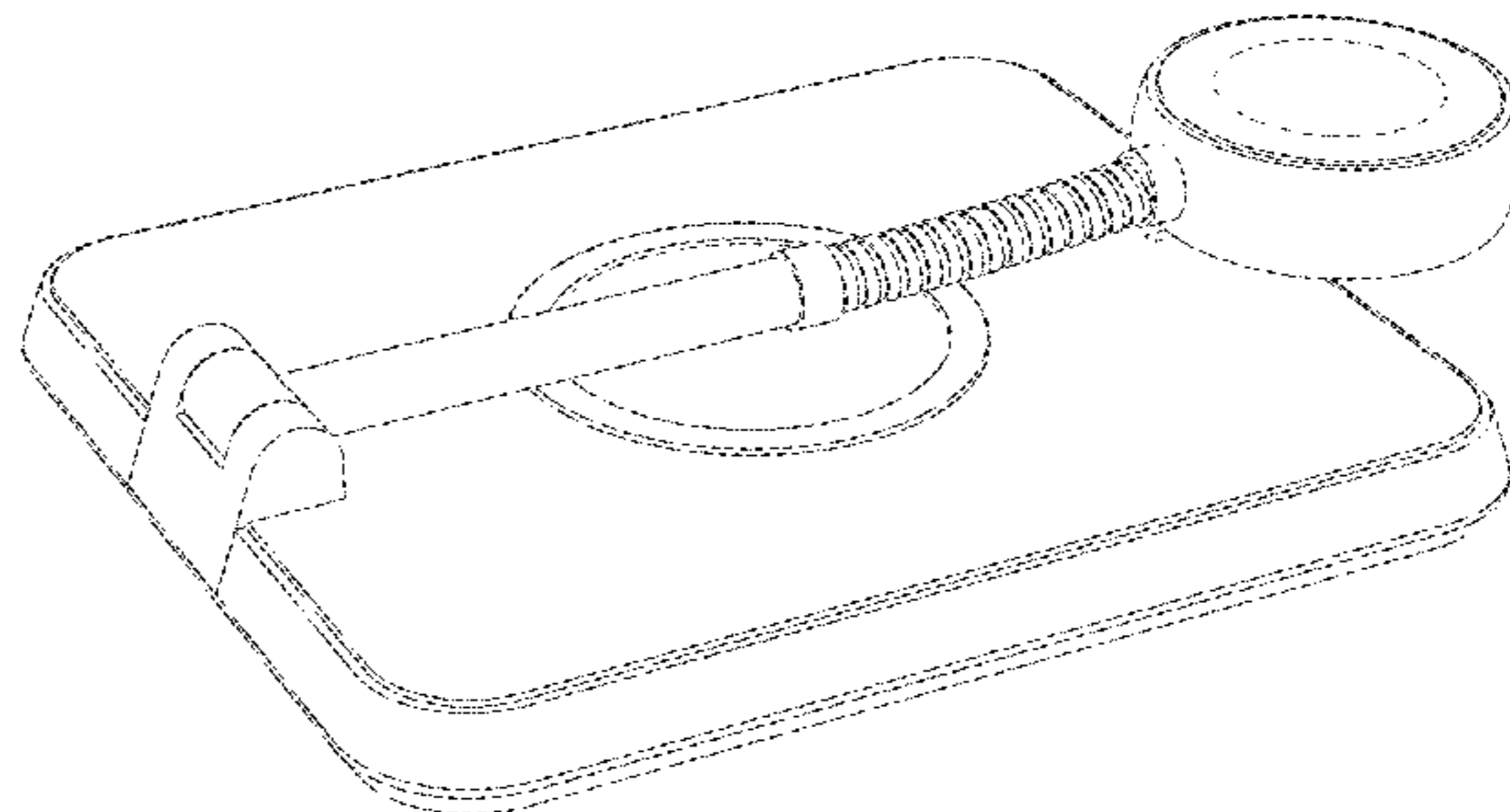
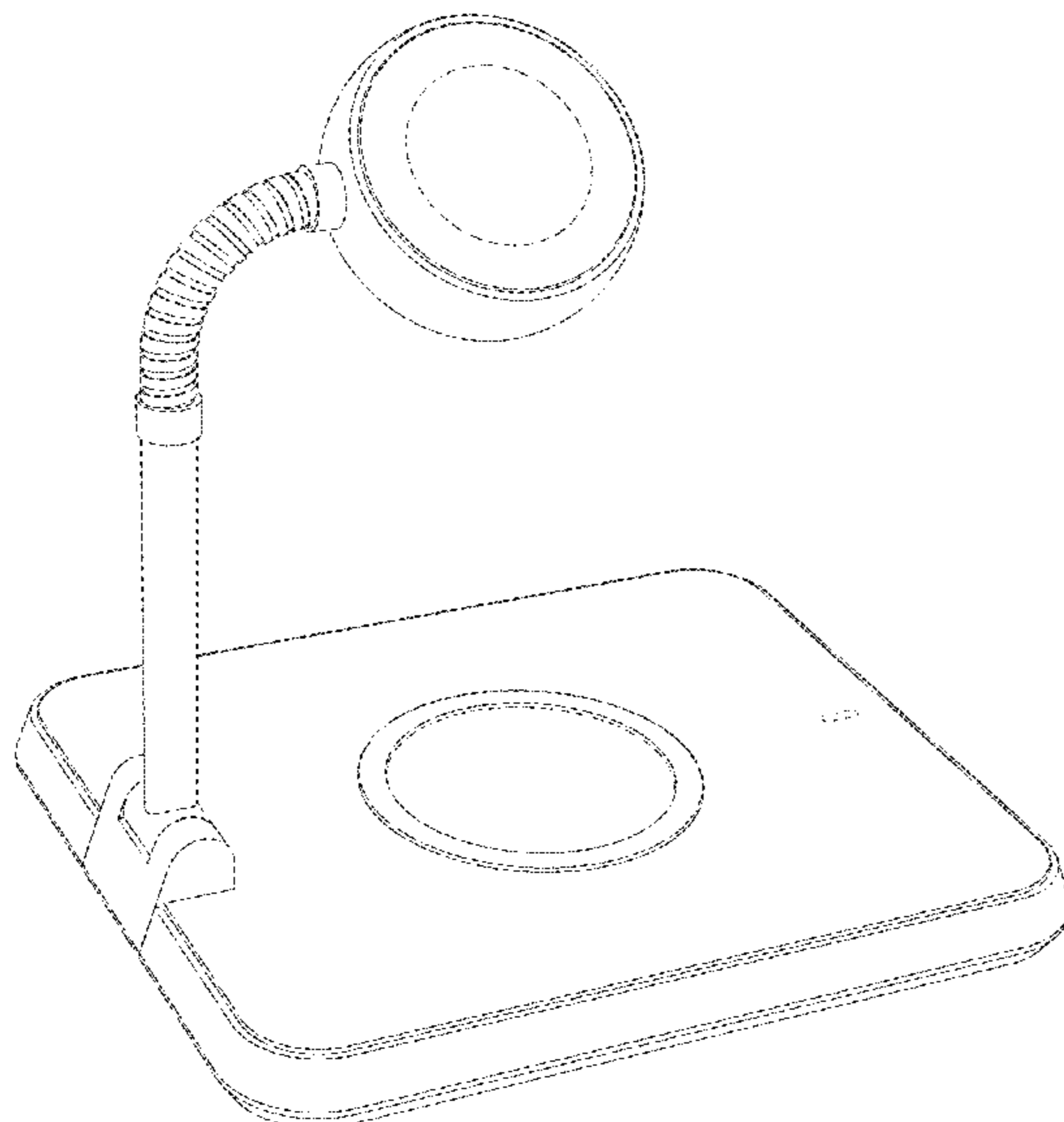
FIG. 7 is a right side elevation view thereof;

FIG. 8 is a left side elevation view thereof; and,

FIG. 9 is a top, front, right side isometric view of the wireless charger stand, shown in a second configuration.

The broken lines depict portions of the wireless charger stand that form no part of the claimed design.

**1 Claim, 9 Drawing Sheets**



(56)

**References Cited**

OTHER PUBLICATIONS

“Black Fin Charging Stand”. Found online Feb. 10, 2021 at amazon.sg. Reference dated Jul. 12, 2018. Retrieved from <https://www.amazon.sg/Black-Fin-Charging-Stand-Sliver/dp/B07FK2SGS4>. (Year: 2018).\*

“UGREEN Stand for Apple Watch”. Found online Feb. 10, 2021 at amazon.com. Reference dated Jul. 10, 2019. Retrieved from <https://www.amazon.com/dp/B07V5FCBH9>. (Year: 2019).\*

\* cited by examiner

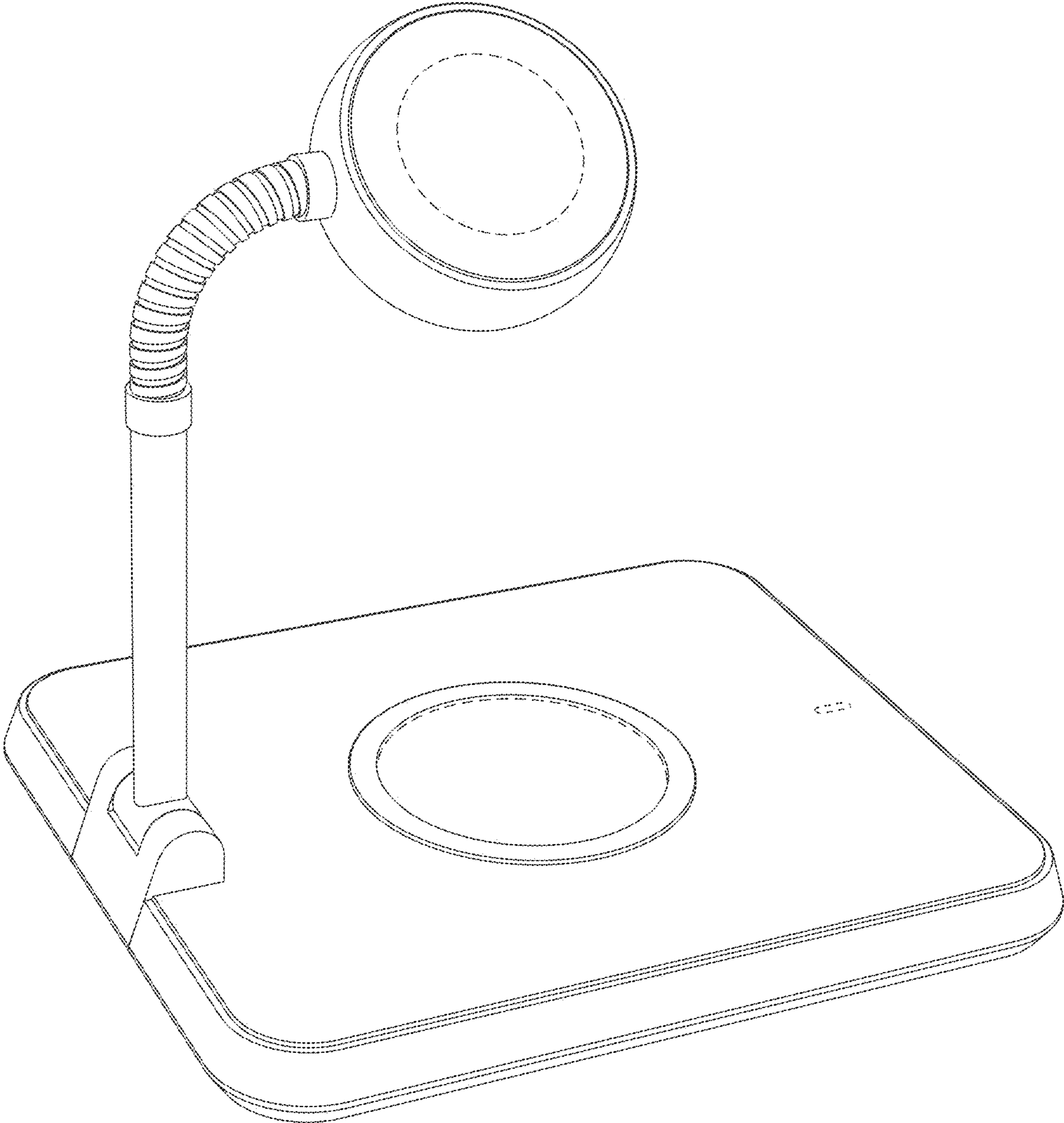


Fig. 1

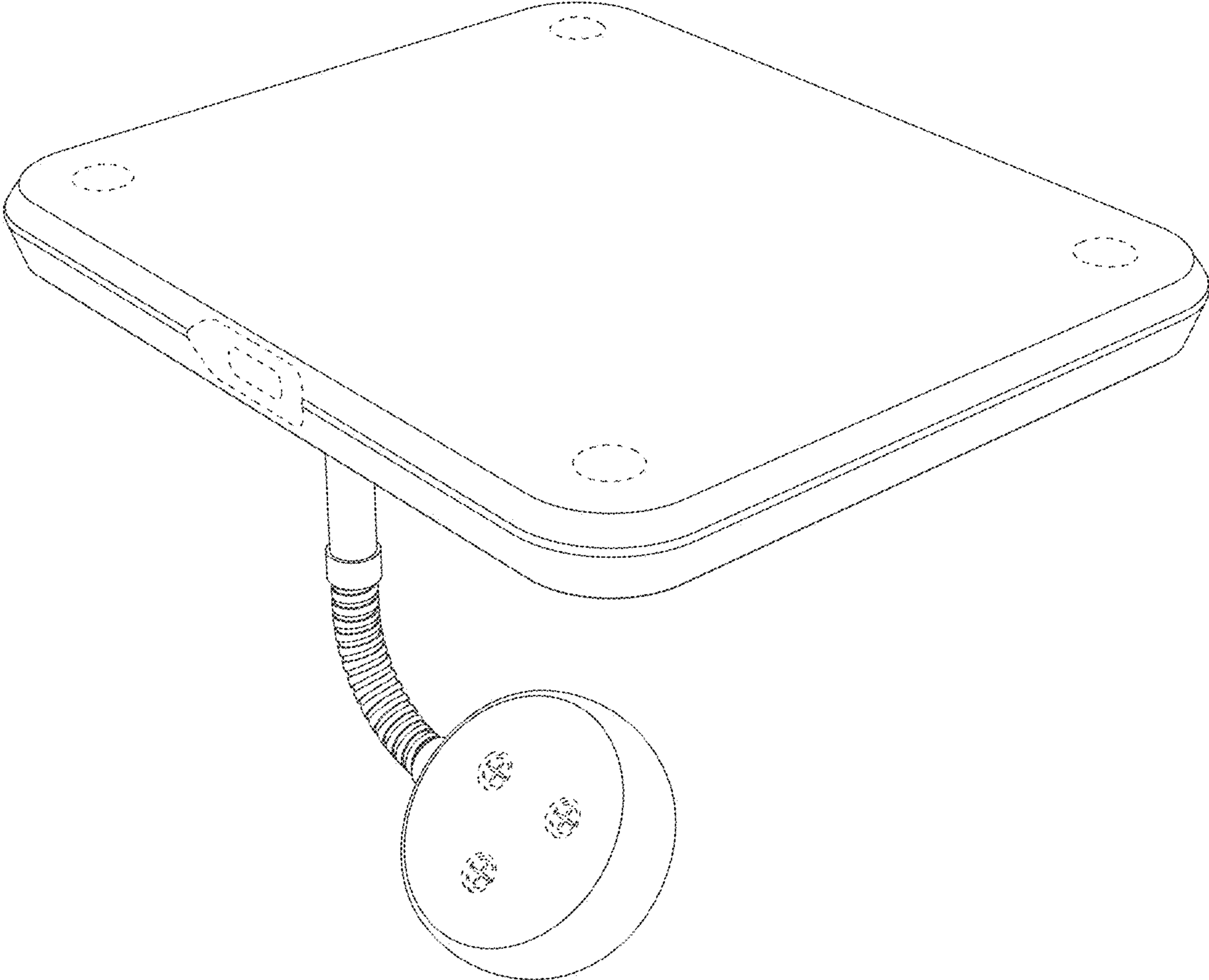


Fig.2

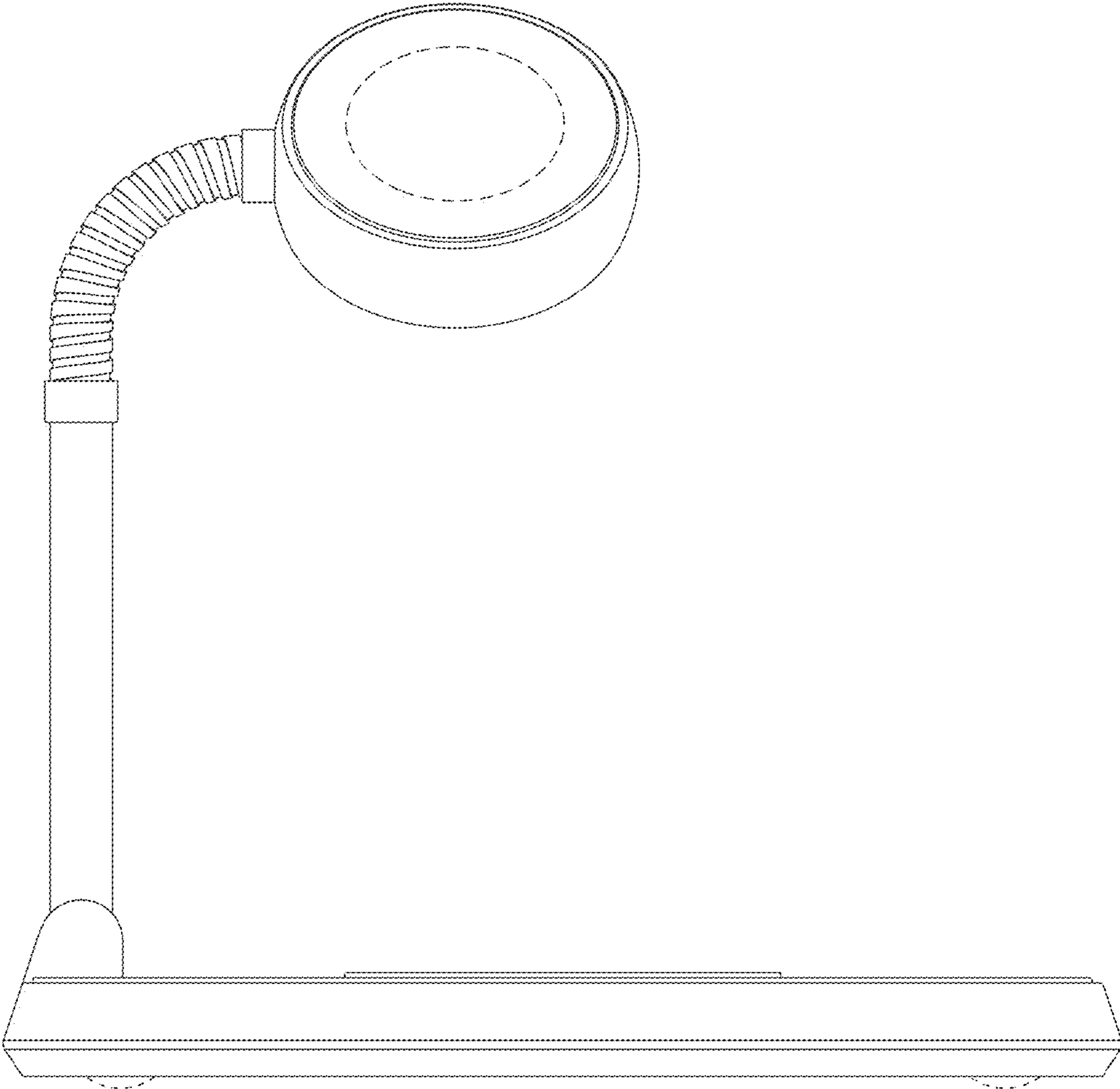


Fig.3

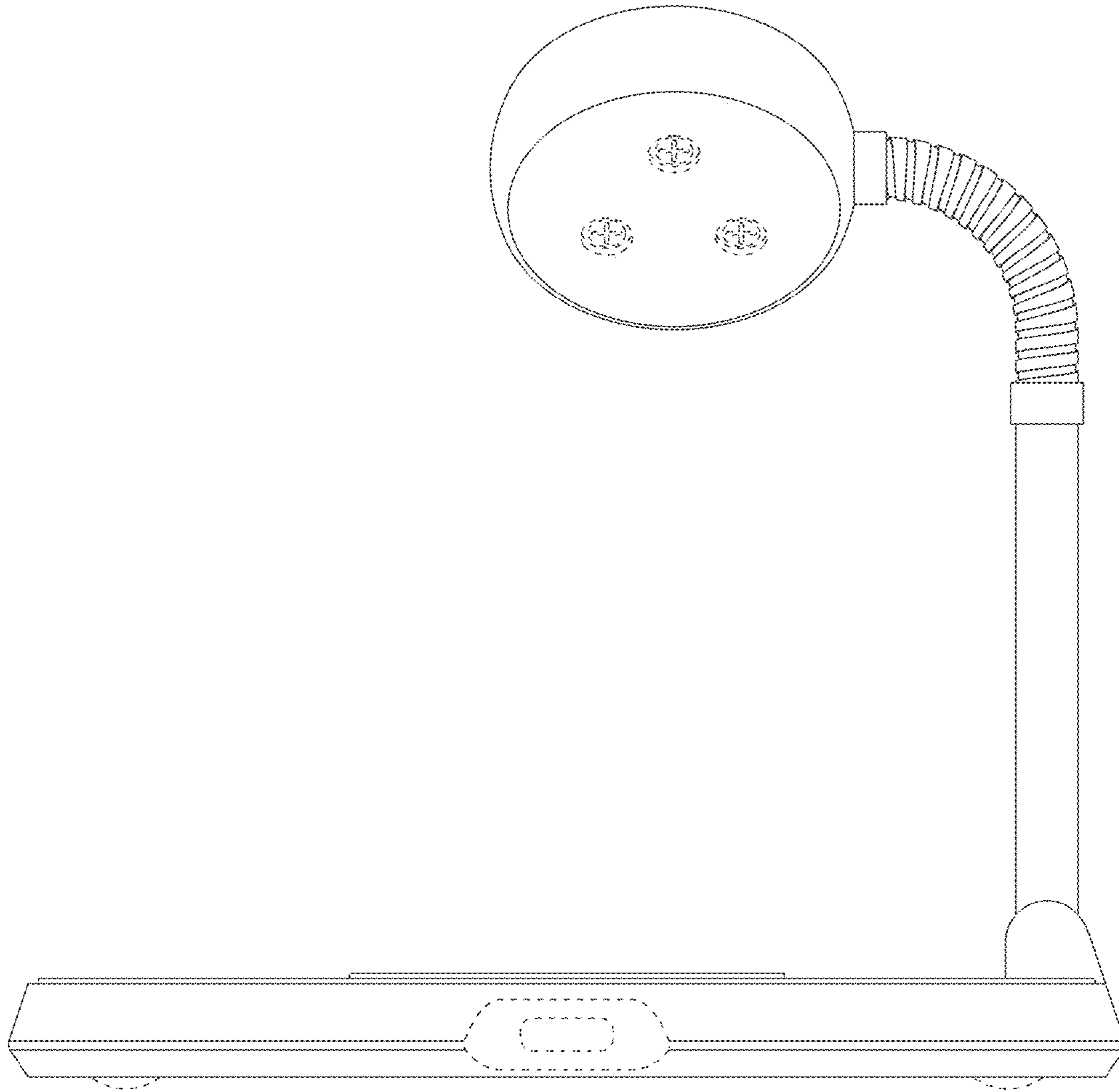


Fig.4

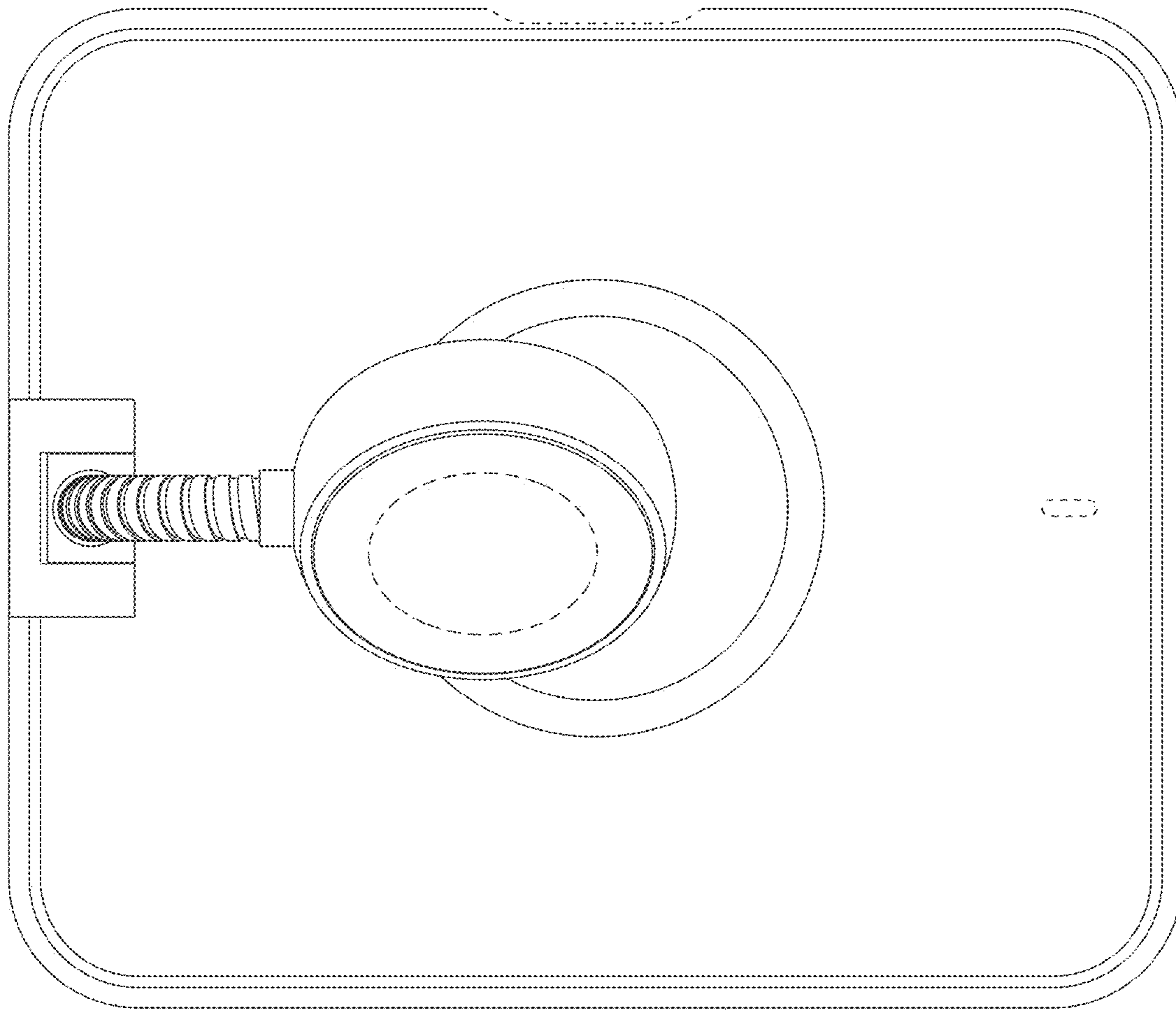


Fig.5

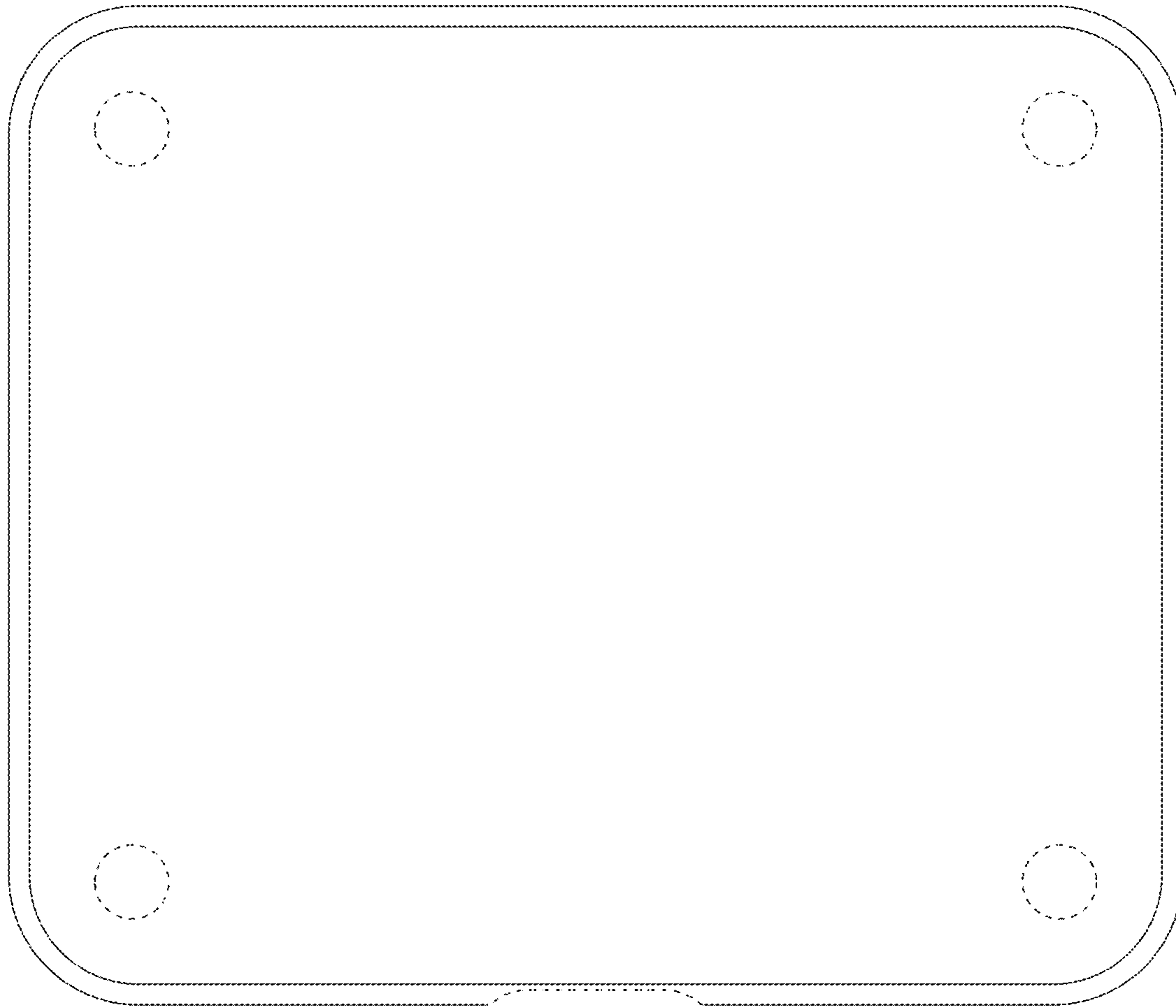


Fig.6



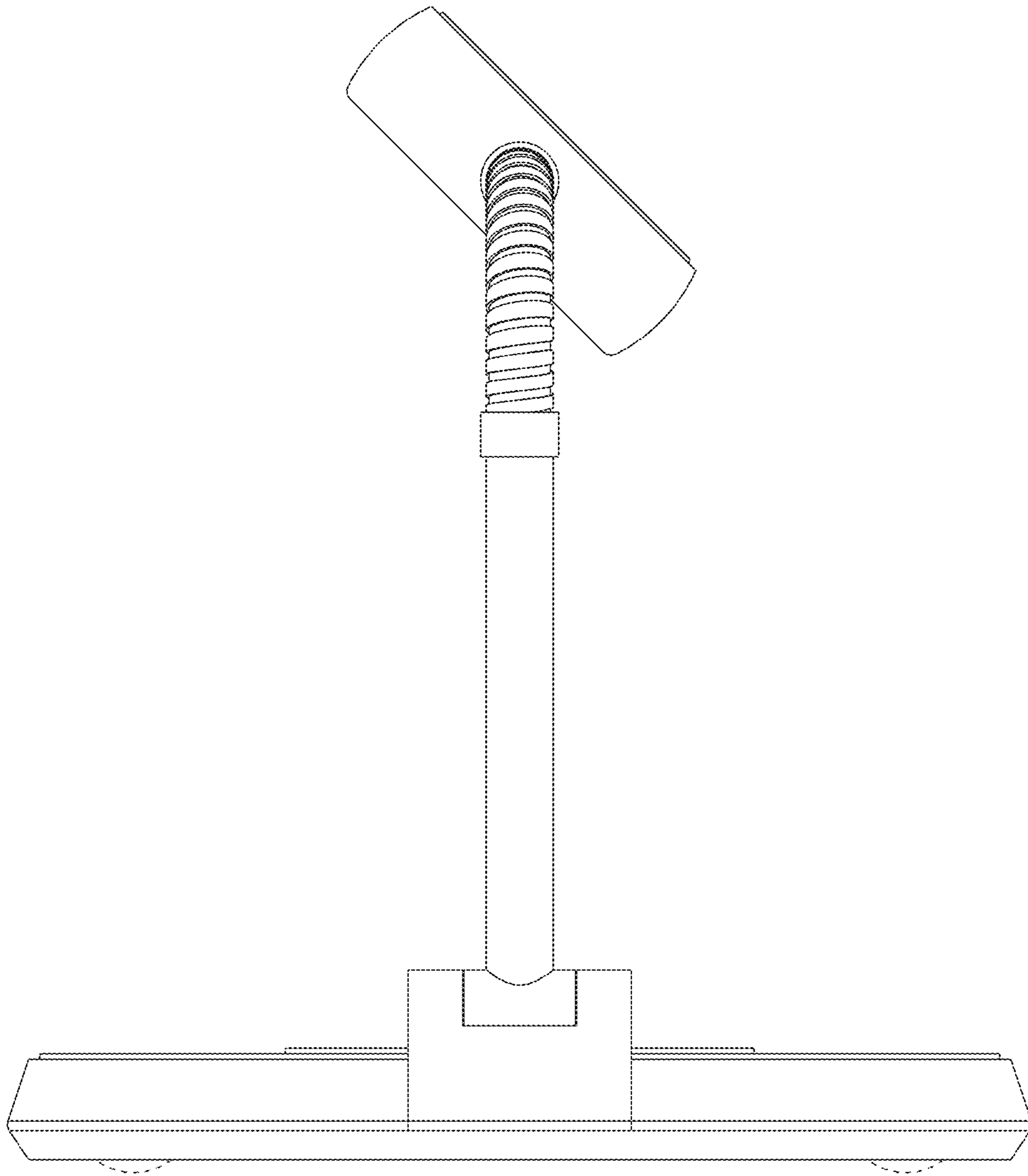


Fig.7

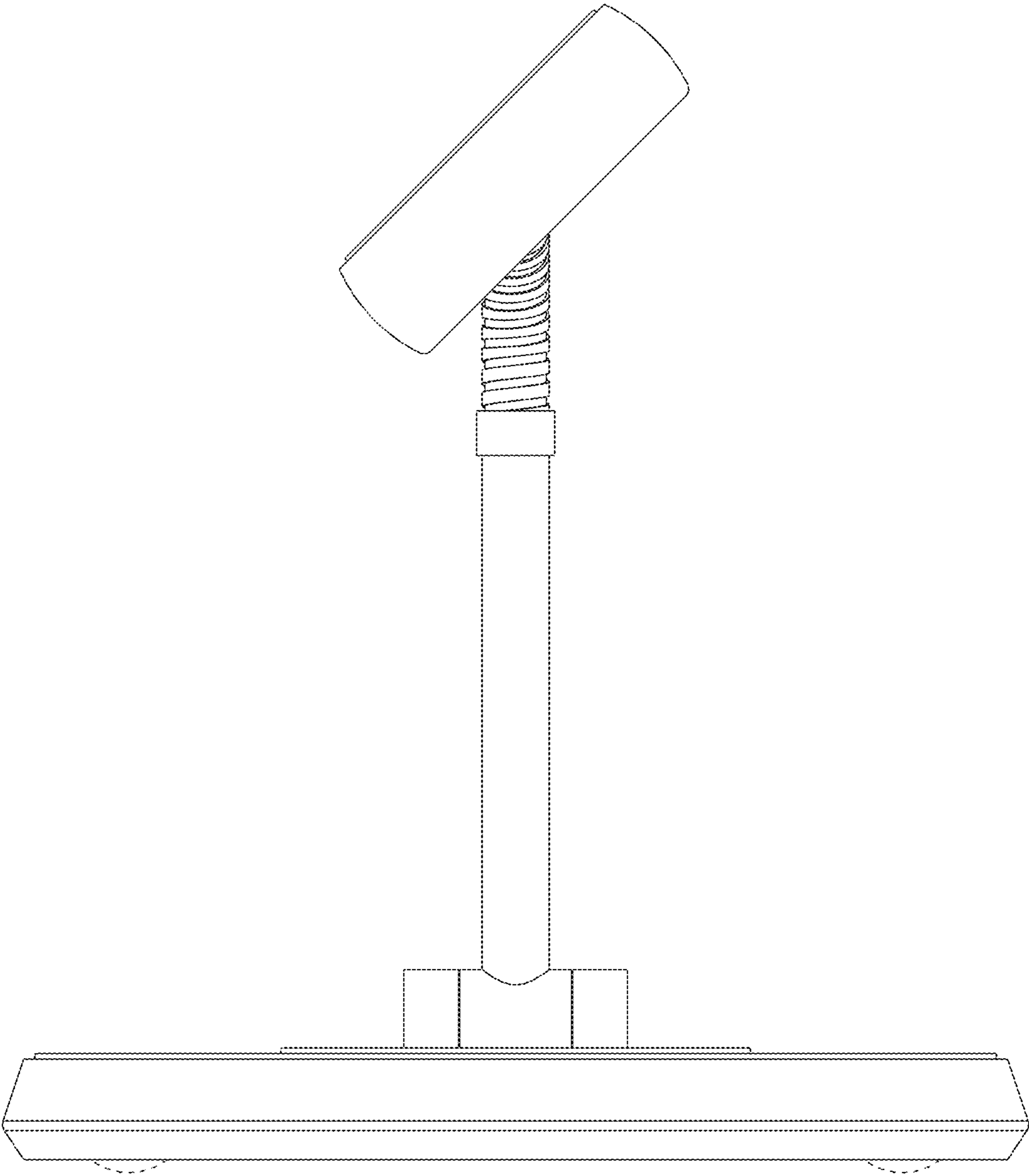


Fig.8

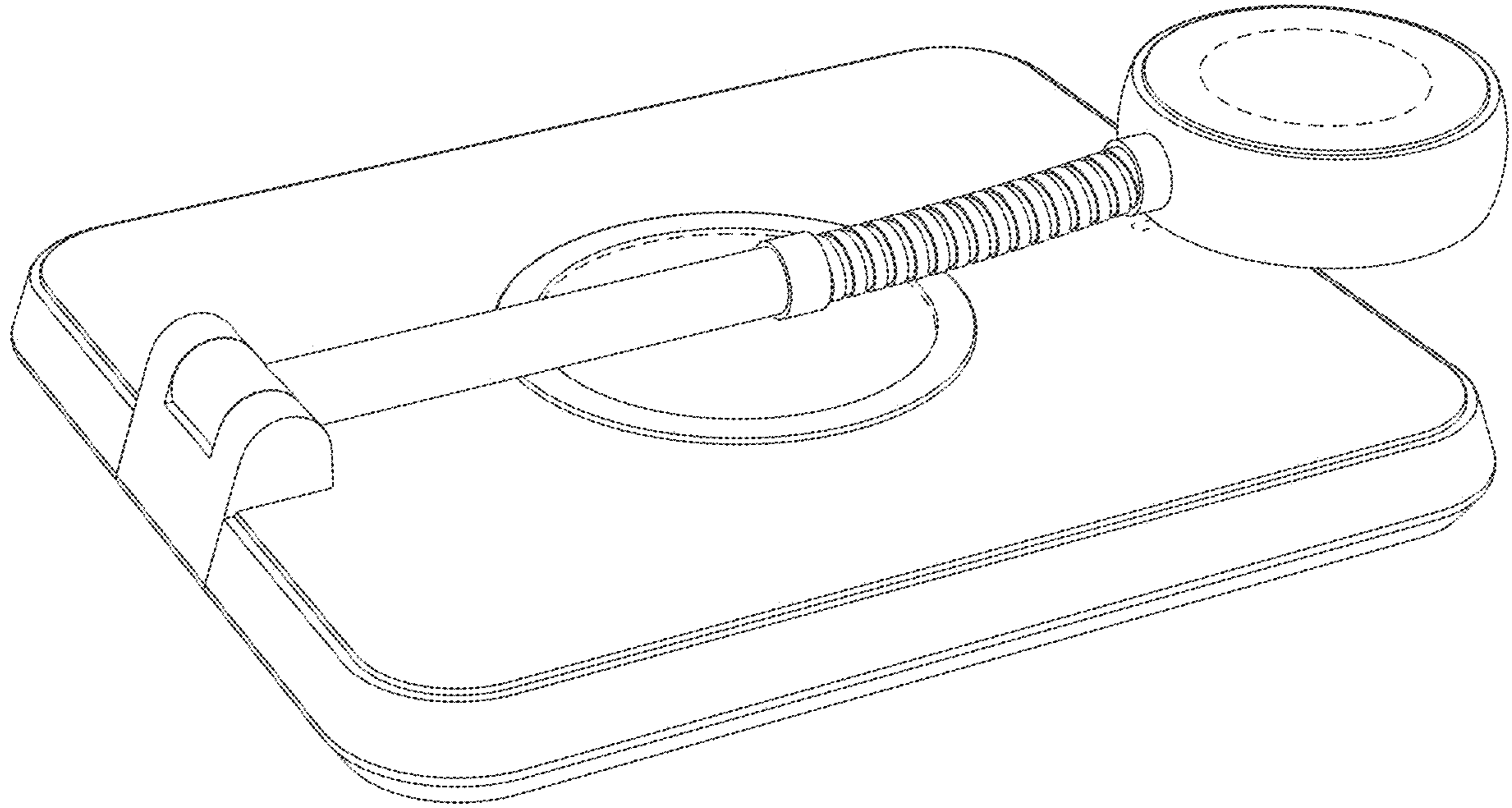


Fig.9