



US00D928702S

(12) **United States Design Patent**
Liao

(10) **Patent No.:** **US D928,702 S**

(45) **Date of Patent:** **** Aug. 24, 2021**

(54) **WIRELESS CHARGER STAND**

(71) Applicant: **GUANGDONG GOPOD GROUP HOLDING CO., LTD.**, Shenzhen (CN)

(72) Inventor: **Zhuowen Liao**, Shenzhen (CN)

(73) Assignee: **Guangdong Gopod Group Holding Co., Ltd.**, Shenzhen (CN)

(**) Term: **15 Years**

(21) Appl. No.: **29/716,575**

(22) Filed: **Dec. 10, 2019**

(30) **Foreign Application Priority Data**

Sep. 19, 2019 (CN) 201930514793.2

(51) **LOC (13) Cl.** **13-02**

(52) **U.S. Cl.**
USPC **D13/108; D14/253**

(58) **Field of Classification Search**
USPC D13/101, 103, 107, 108, 118, 119;
D6/682, 682.1; D14/251, 252, 253, 432,
D14/434, 447

CPC H04B 1/3877; H04B 1/3883; H04M 1/06;
G04G 19/02

See application file for complete search history.

(56) **References Cited**

U.S. PATENT DOCUMENTS

D676,378 S *	2/2013	Kim	D13/108
D762,650 S *	8/2016	Dang	D14/434
D776,053 S *	1/2017	Barnard	D13/108
D794,984 S *	8/2017	Green	D6/682.5
D799,464 S *	10/2017	Zaihui	D14/252
9,843,214 B2 *	12/2017	Peek	H02J 50/90
D851,431 S *	6/2019	Jia	D6/682.1
D857,626 S *	8/2019	Zhang	D13/108
D873,259 S *	1/2020	Lindof	D14/253

D884,622 S *	5/2020	Huang	D13/108
D904,978 S *	12/2020	Liao	D13/108
2016/0261139 A1 *	9/2016	Kidakarn	H02J 50/10
2020/0185952 A1 *	6/2020	Morrow	H02J 7/0027

OTHER PUBLICATIONS

“Belkin Valet Charge Dock”. Found online Feb. 10, 2021 at amazon.com. Reference dated Jan. 23, 2018. Retrieved from <https://www.amazon.com/Belkin-Charge-iPhone-Charging-Silver/dp/B0798VZ7V3>. (Year: 2018).*

(Continued)

Primary Examiner — Kendra Leslie Hamilton

Assistant Examiner — Amanda Christensen

(74) *Attorney, Agent, or Firm* — Wolf, Greenfield & Sacks, P.C.

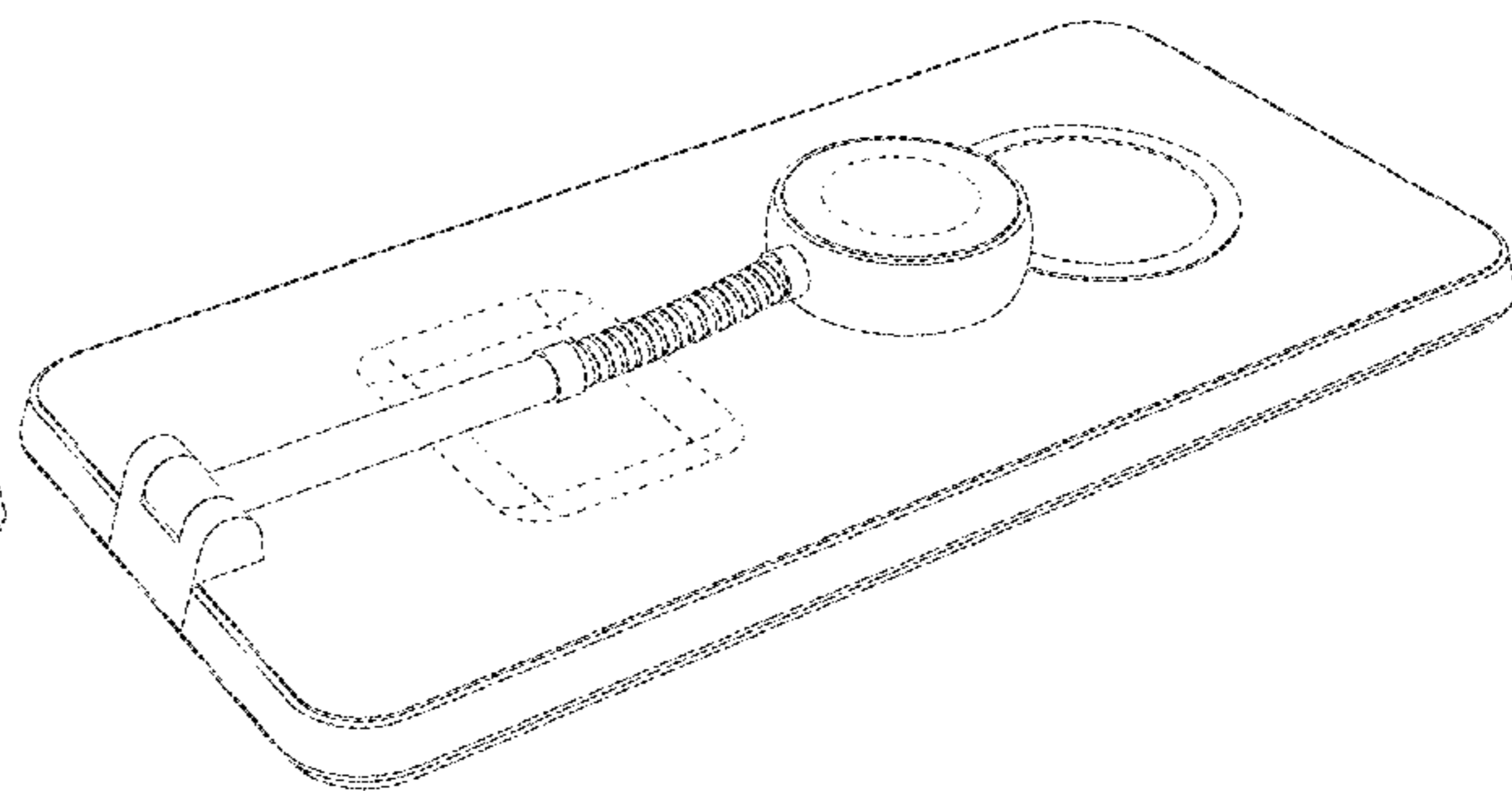
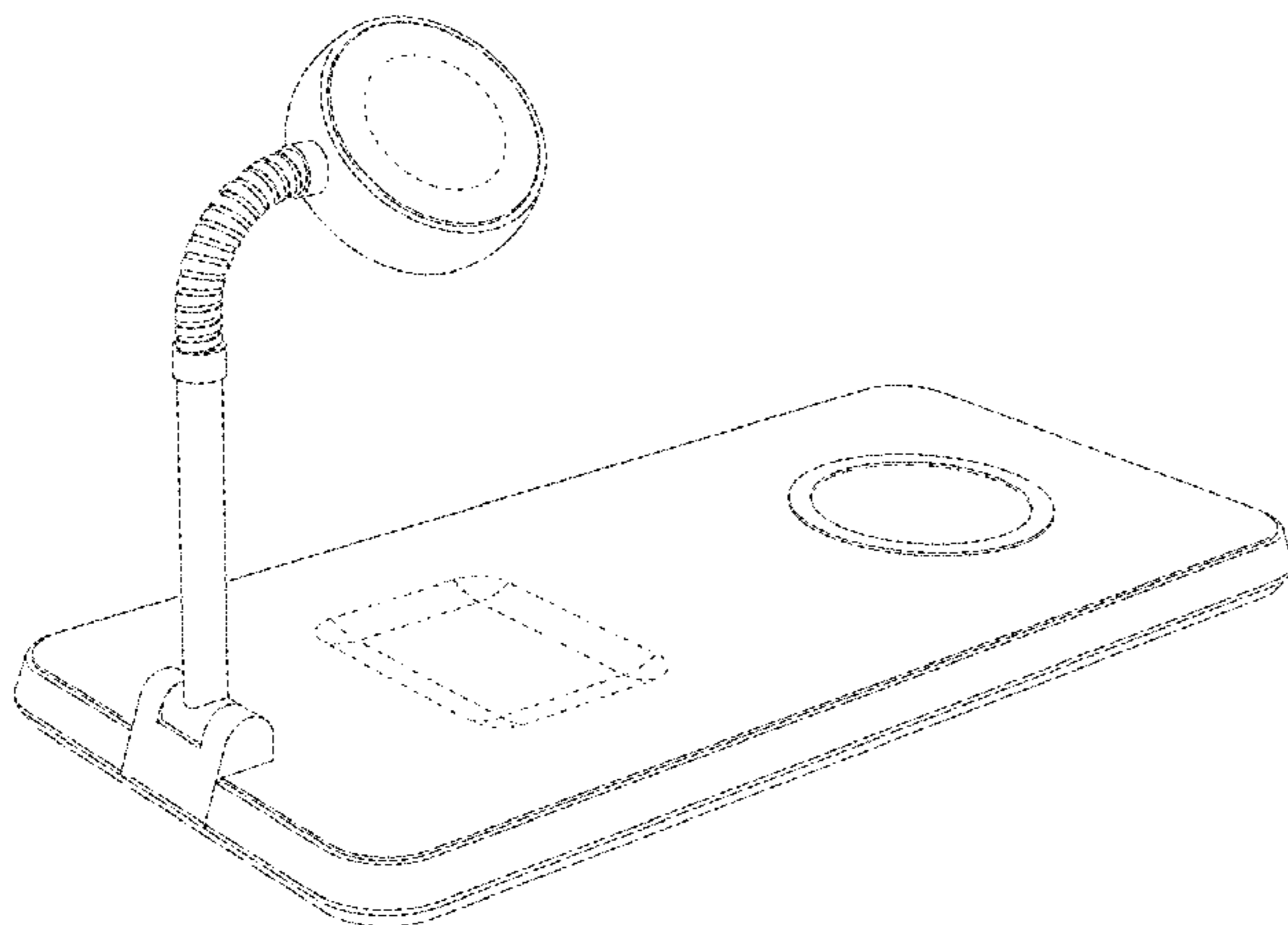
(57) **CLAIM**

The ornamental design for a wireless charger stand, as shown and described.

DESCRIPTION

FIG. 1 is a top, front, right side isometric view of a wireless charger stand, showing my new design in a first configuration;
FIG. 2 is bottom, rear, left side isometric view thereof;
FIG. 3 is a front elevation view thereof;
FIG. 4 is a rear elevation view thereof;
FIG. 5 is a top plan view thereof;
FIG. 6 is a bottom plan view thereof;
FIG. 7 is a right side elevation view thereof;
FIG. 8 is left side elevation view thereof; and,
FIG. 9 is a top, front, right side isometric view of the wireless charger stand, shown in a second configuration.
The broken lines depict portions of the wireless charger stand that form no part of the claimed design.

1 Claim, 9 Drawing Sheets



(56)

References Cited

OTHER PUBLICATIONS

“Dual Wireless Charging Pad and Watch Charger Station”. Found online Feb. 10, 2021 at amazon.com. Reference dated Oct. 17, 2018. Retrieved from https://www.amazon.com/gp/product/B07GK676V5/ref=as_li_qf_asin_il_tl. (Year: 2018).*

“Gopod Wireless Charging Pad”. Found online Feb. 10, 2021 at gopod.cc.com. Reference dated Feb. 10, 2021. Retrieved from http://www.gopod.cc/Wireless_Charger/2020/0822/260.html. (Year: 2021).*

* cited by examiner

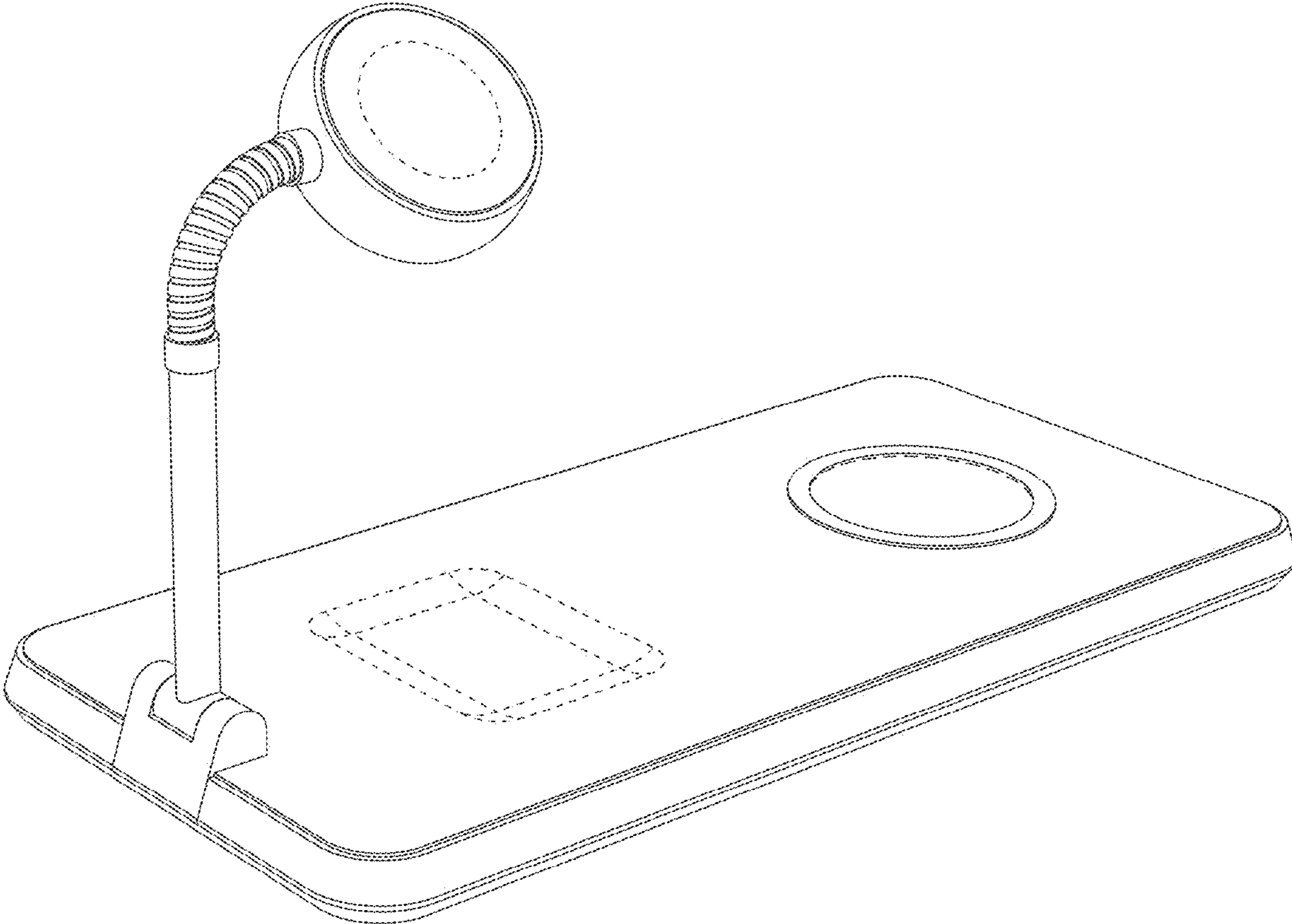


Fig. 1

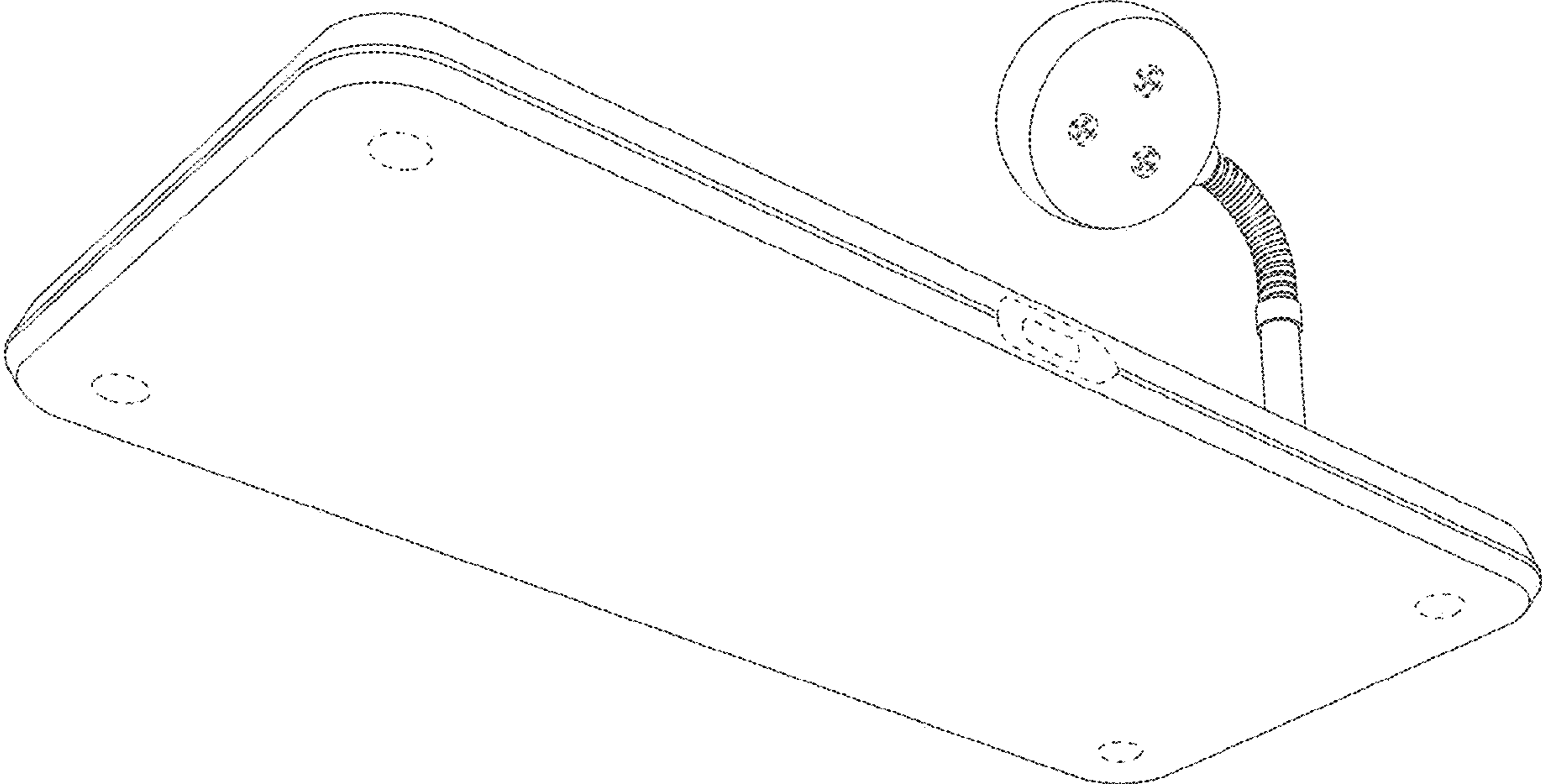


Fig. 2

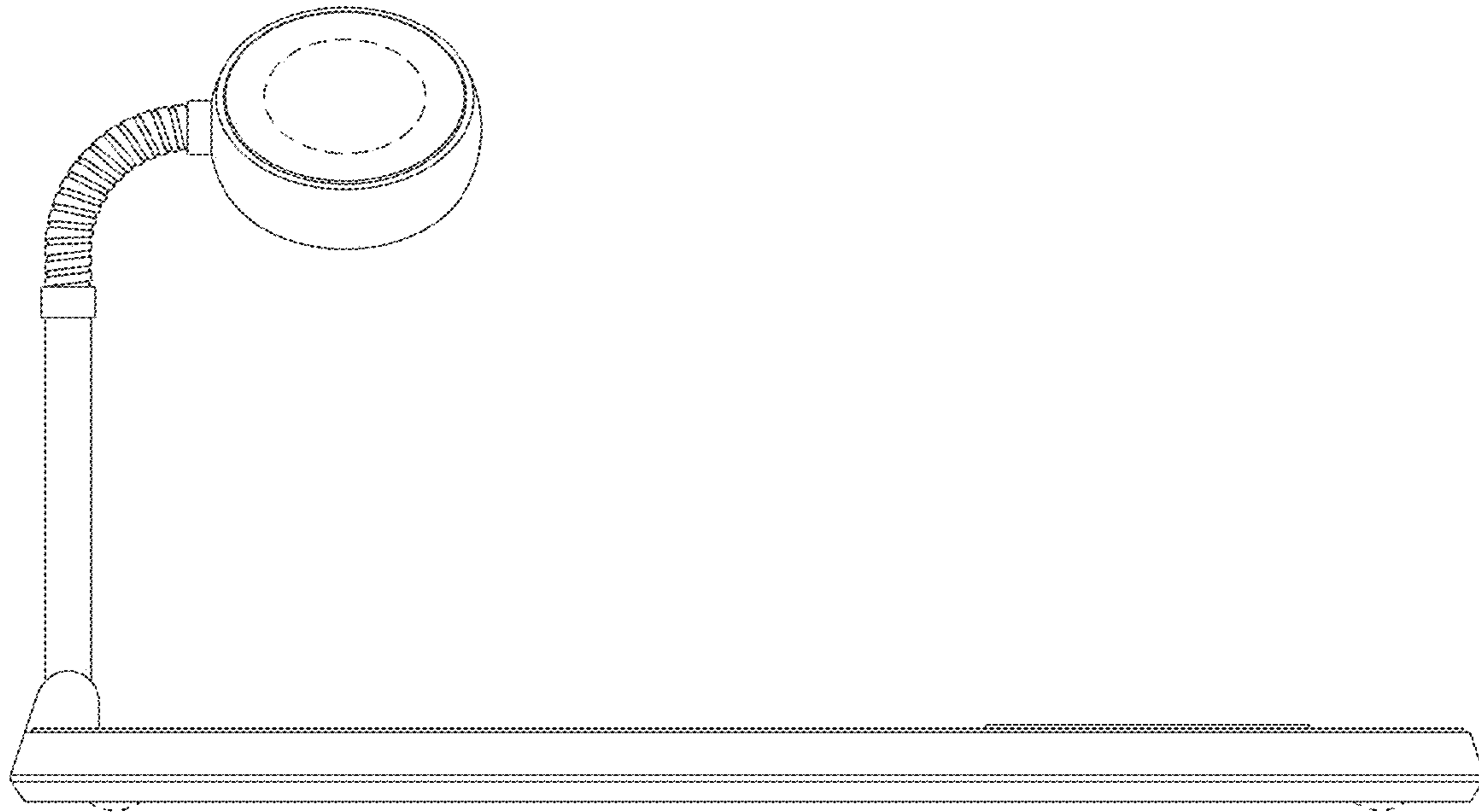


Fig. 3

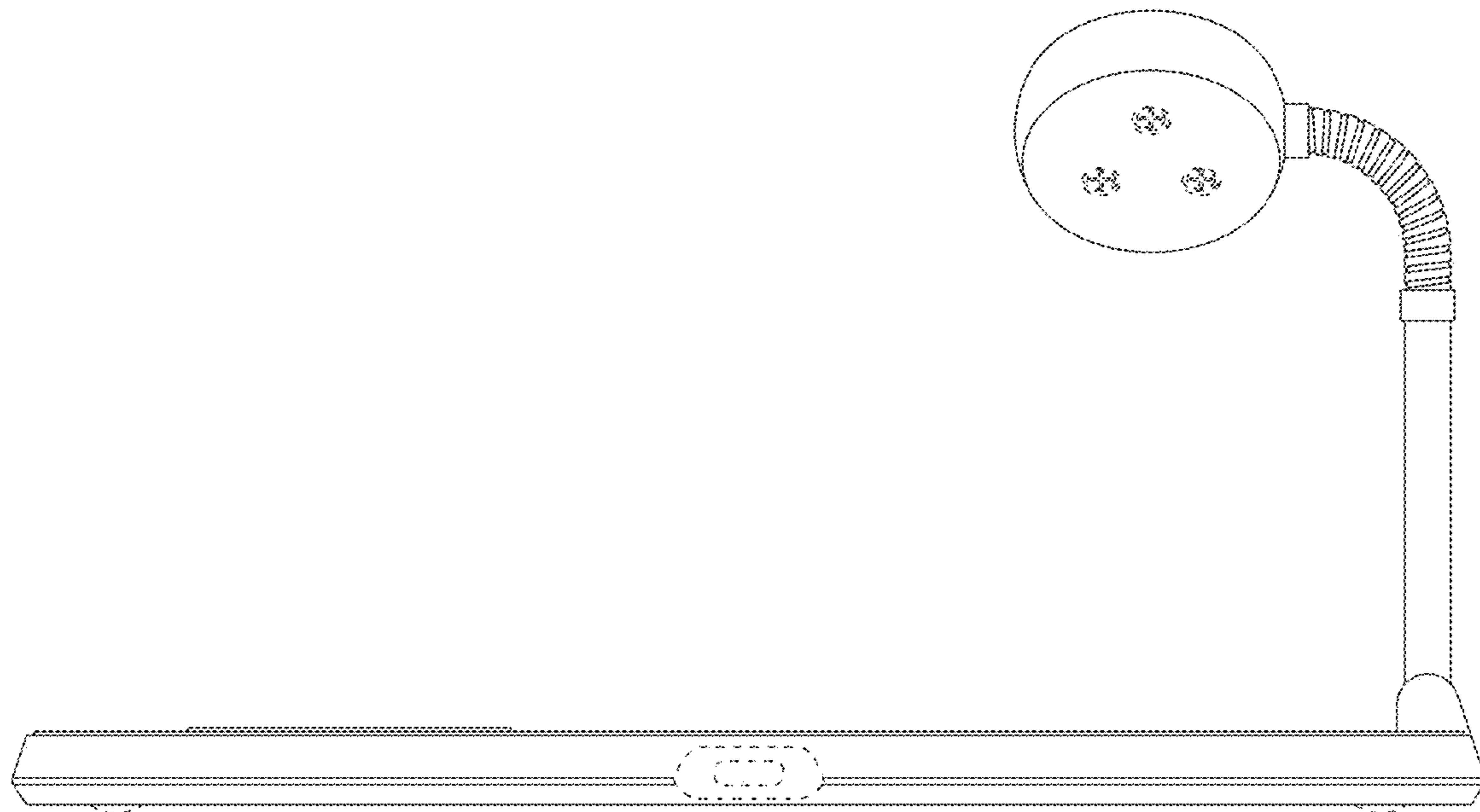


Fig. 4

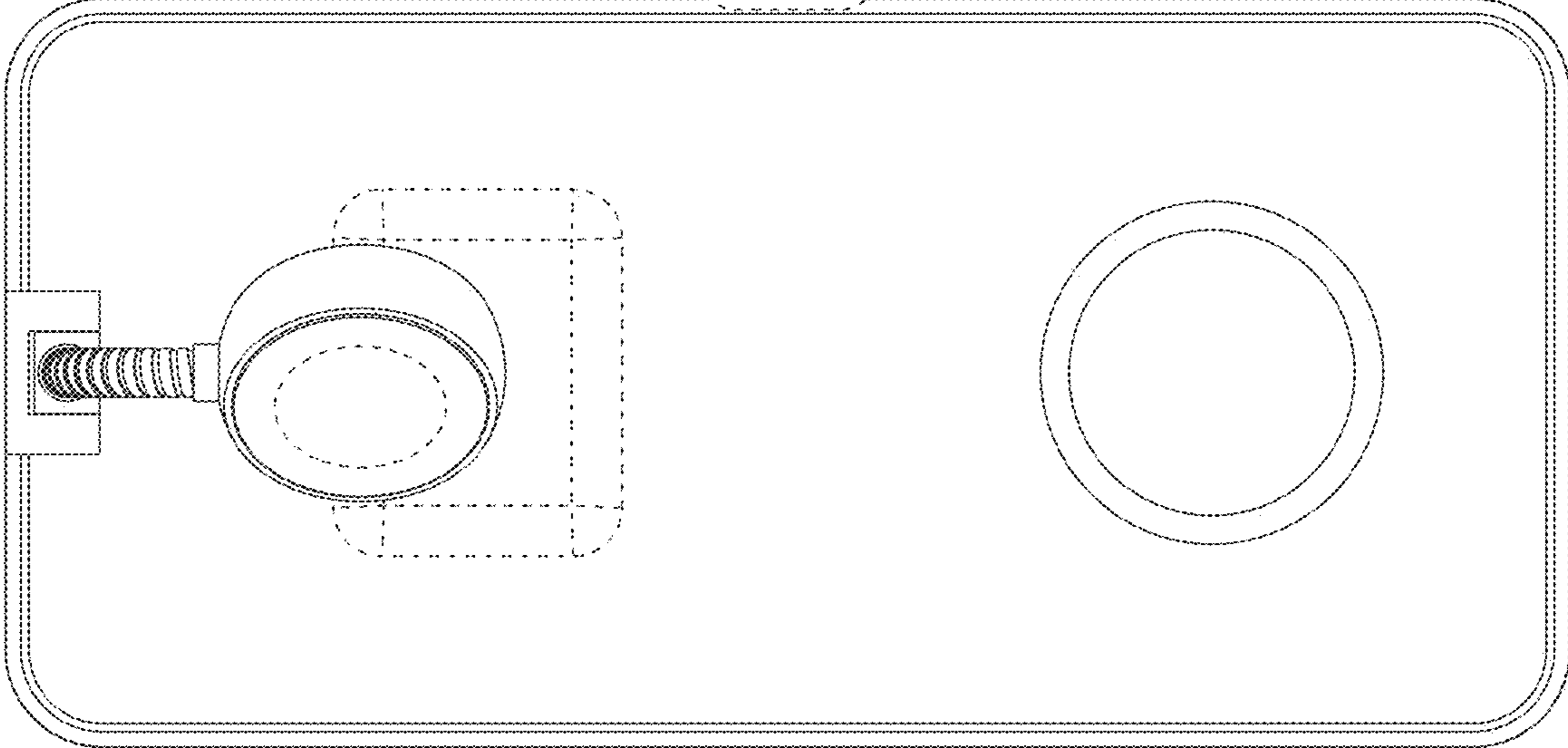


Fig. 5

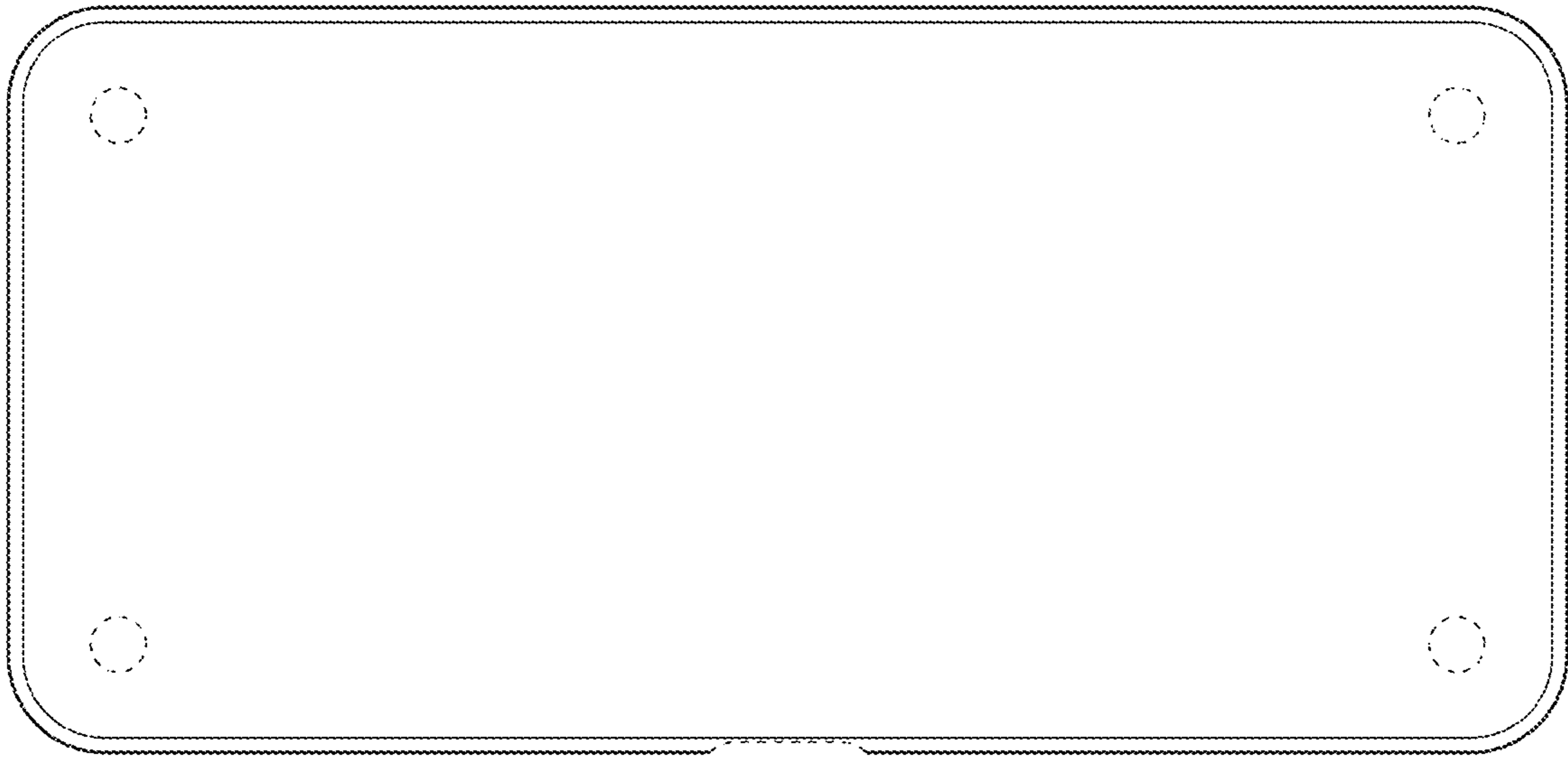


Fig. 6

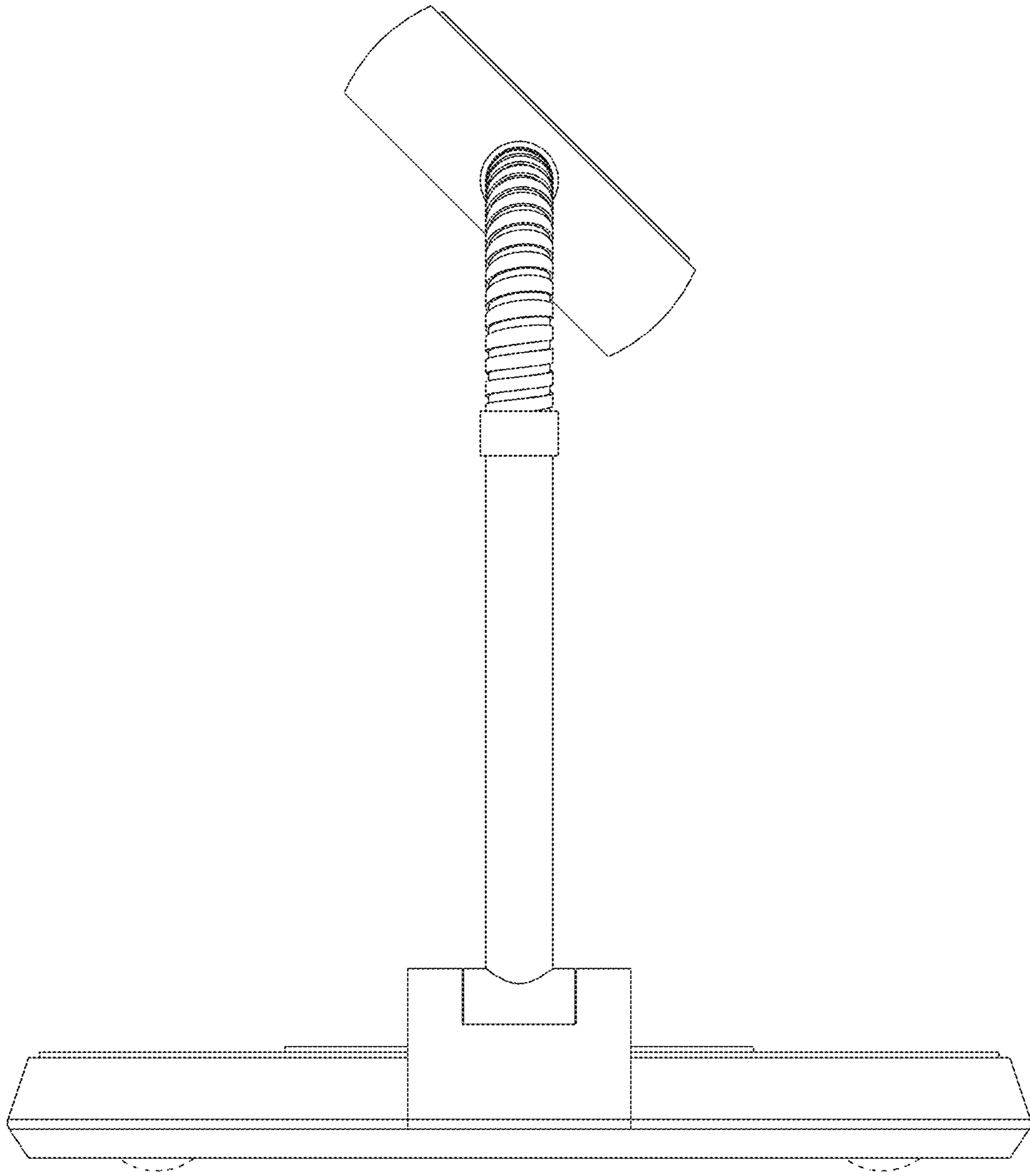


Fig. 7

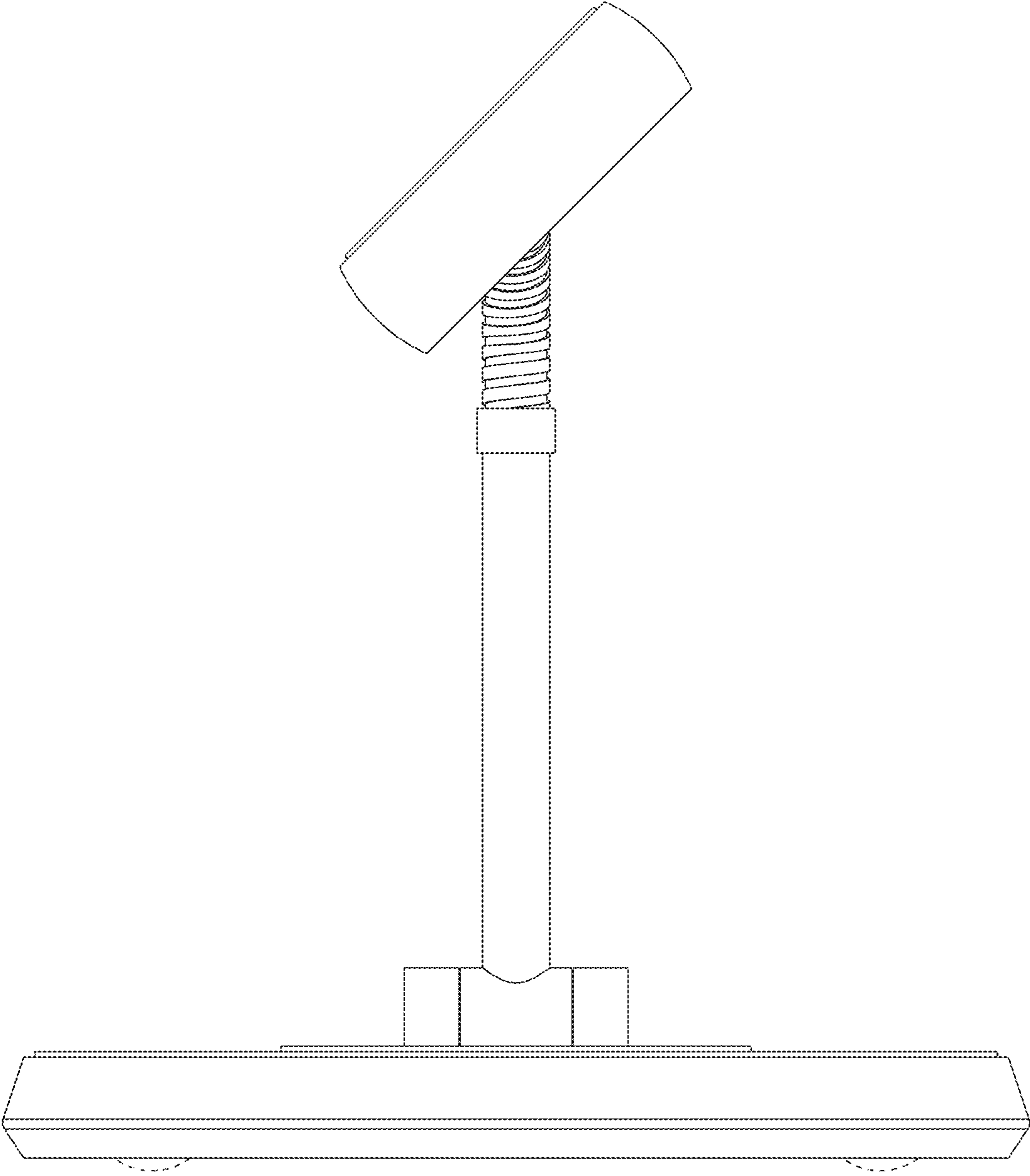


Fig. 8

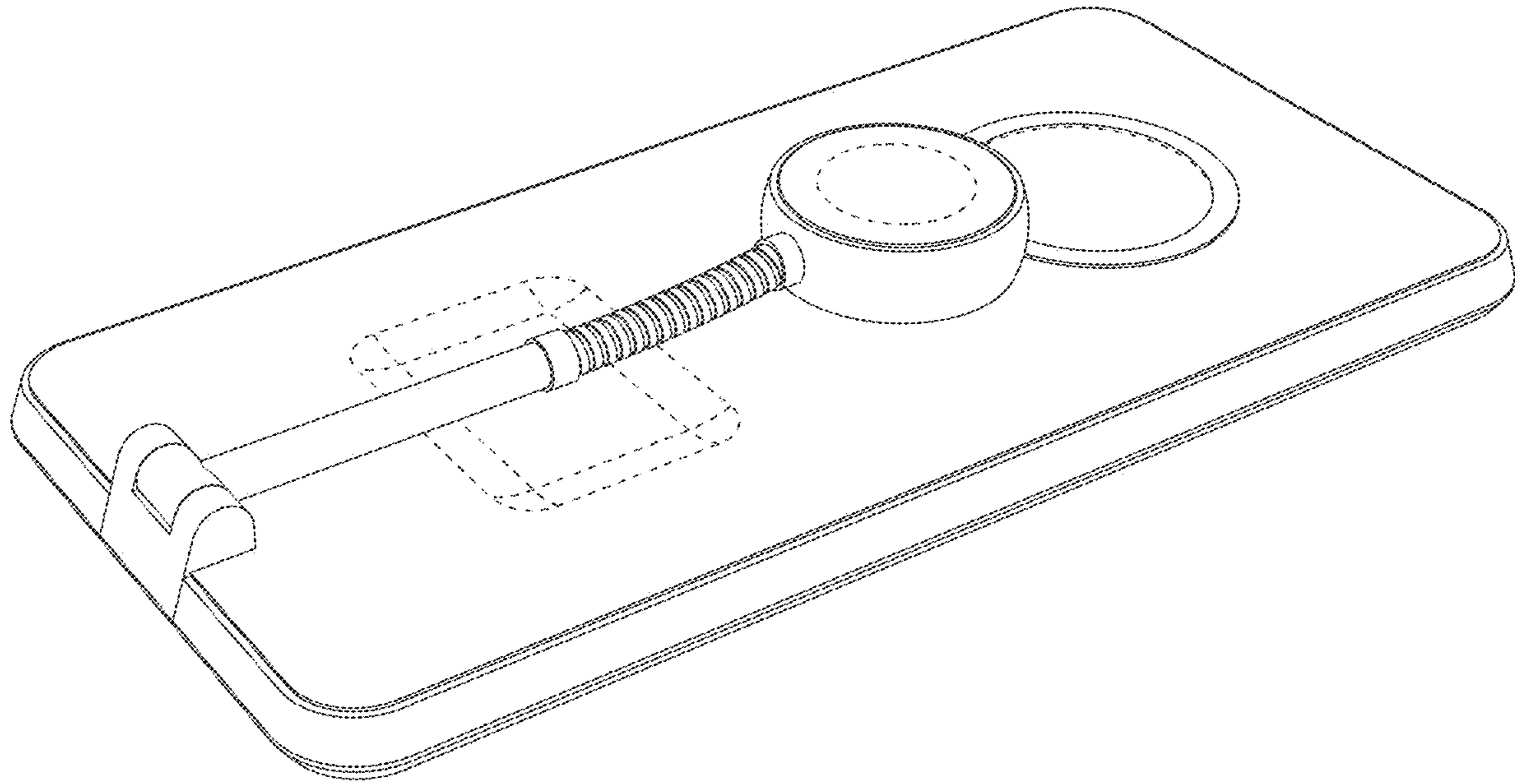


Fig. 9