



US00D928701S

(12) **United States Design Patent** (10) **Patent No.:** **US D928,701 S**
Liao (45) **Date of Patent:** **** Aug. 24, 2021**

(54) **WIRELESS CHARGER STAND**

(71) Applicant: **GUANGDONG GOPOD GROUP HOLDING CO., LTD.**, Shenzhen (CN)

(72) Inventor: **Zhuowen Liao**, Shenzhen (CN)

(73) Assignee: **Guangdong Gopod Group Holding Co., Ltd.**, Shenzhen (CN)

(**) Term: **15 Years**

(21) Appl. No.: **29/716,571**

(22) Filed: **Dec. 10, 2019**

(30) **Foreign Application Priority Data**

Sep. 19, 2019 (CN) 201930514780.5

(51) **LOC (13) Cl.** **13-02**

(52) **U.S. Cl.**
USPC **D13/108; D14/253**

(58) **Field of Classification Search**
USPC D13/101, 103, 107, 108, 118, 199;
D6/682, 682.1; D14/251, 252, 253, 432,
D14/434, 447

CPC H04B 1/3877; H04B 1/3883; H04M 1/06;
G04G 19/02

See application file for complete search history.

(56) **References Cited**

U.S. PATENT DOCUMENTS

D412,331	S	*	7/1999	Nakamura	D14/155
D638,406	S	*	5/2011	Chiang	D14/224
D762,650	S	*	8/2016	Dang	D14/434
D768,077	S	*	10/2016	Wahl	D13/108
D794,984	S	*	8/2017	Green	D6/682.5
9,843,214	B2	*	12/2017	Peek	H02J 50/90
D851,431	S	*	6/2019	Jia	D6/682.1
D857,626	S	*	8/2019	Zhang	D13/108
D872,725	S	*	1/2020	Lindof	D14/253

D884,622	S	*	5/2020	Huang	D13/108
2017/0093200	A1	*	3/2017	Green	H02J 7/025
2019/0190283	A1	*	6/2019	Lee	H02J 7/025
2020/0185952	A1	*	6/2020	Morrow	H02J 7/0027

OTHER PUBLICATIONS

“Belkin Watch Valet Charge Dock”. Found online Feb. 10, 2021 at millennialmagazine.com. Reference dated Aug. 16, 2016. Retrieved from <https://millennialmagazine.com/2016/08/16/belkin-watch-valet-charge-dock-for-apple-watch/>. (Year: 2016).*

(Continued)

Primary Examiner — Kendra Leslie Hamilton

Assistant Examiner — Amanda Christensen

(74) *Attorney, Agent, or Firm* — Wolf, Greenfield & Sacks, P.C.

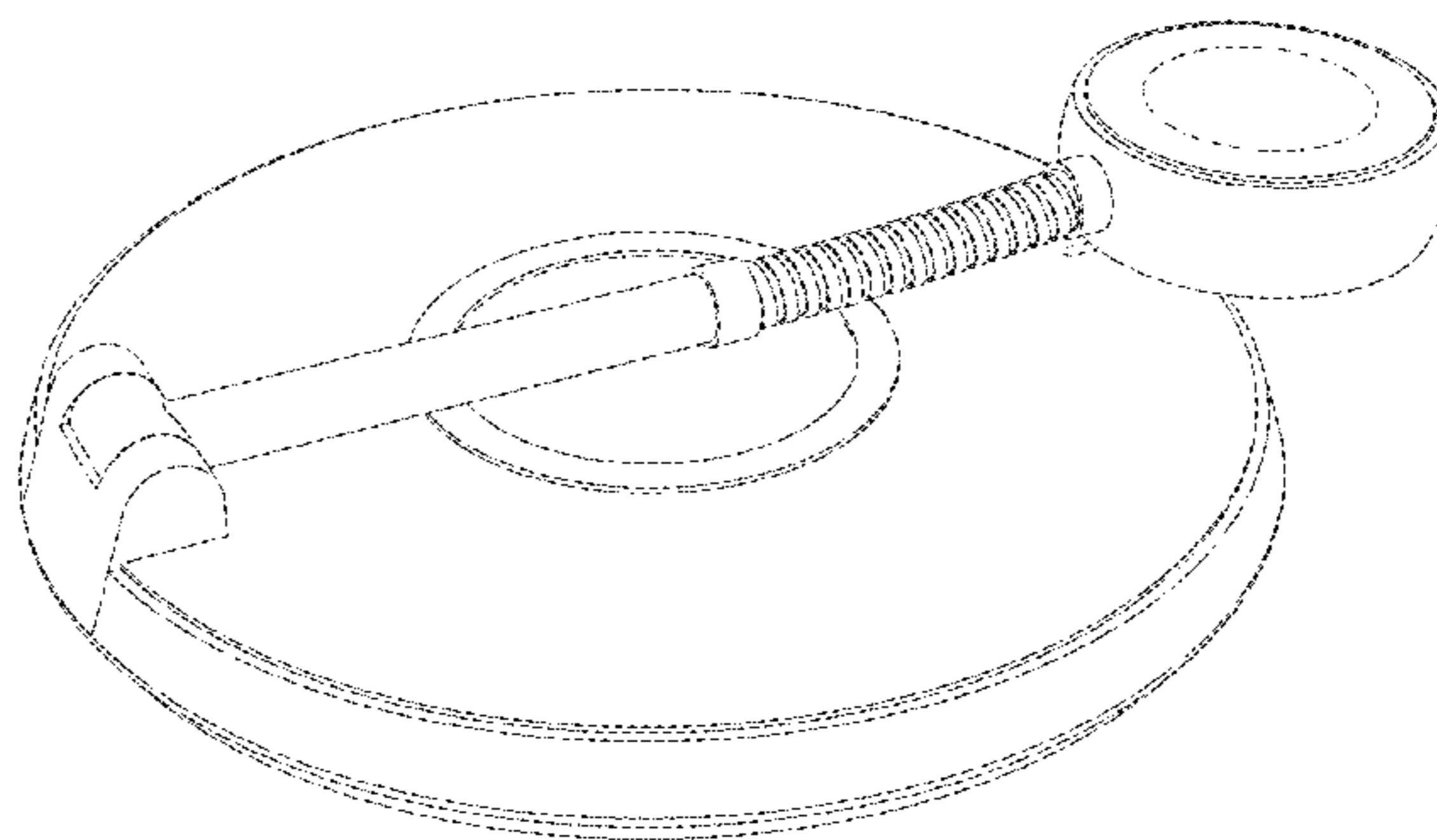
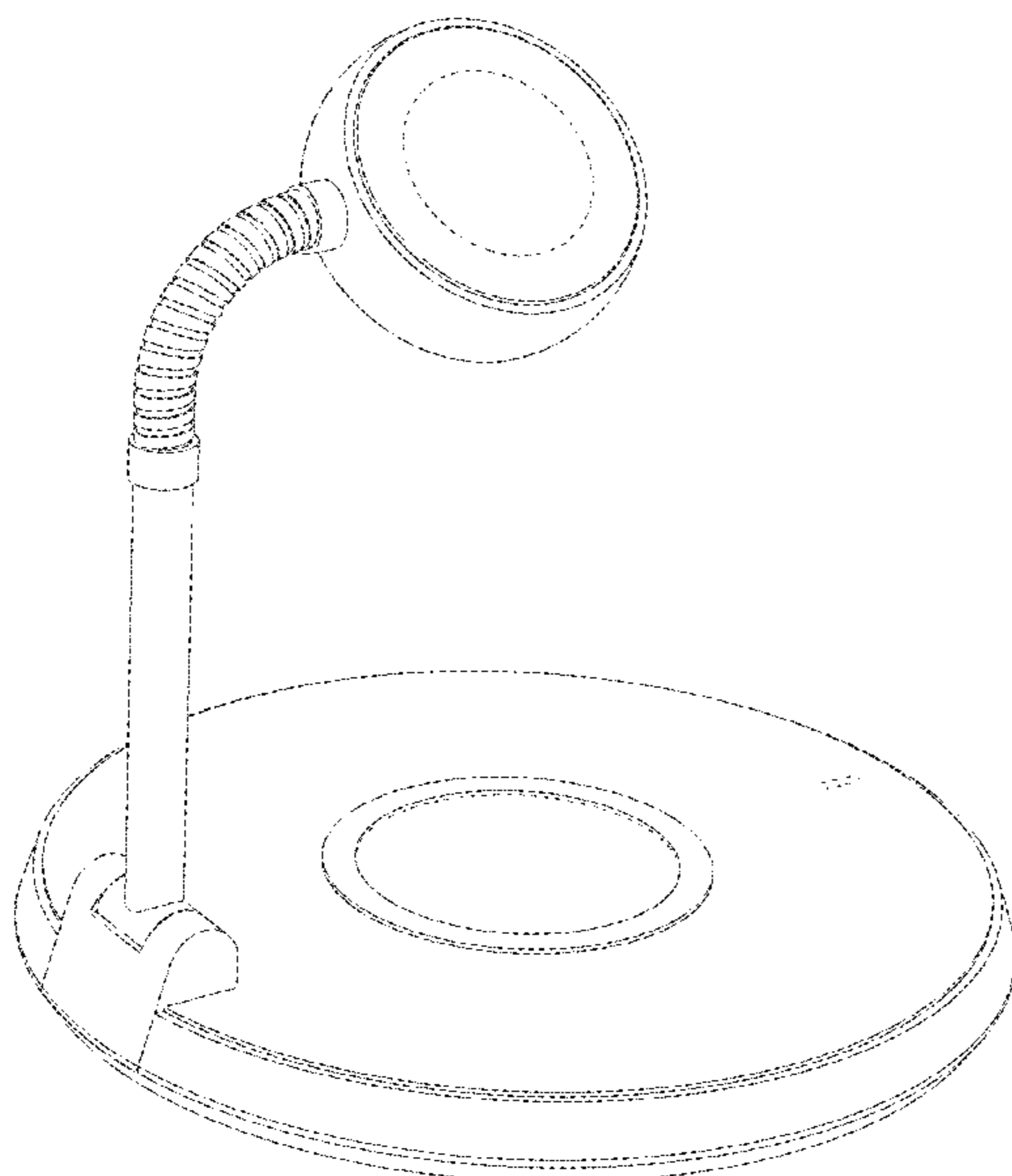
(57) **CLAIM**

The ornamental design for a wireless charger stand, as shown and described.

DESCRIPTION

FIG. 1 is a top, front, right side isometric view of a wireless charger stand, showing my new design in a first configuration;
FIG. 2 is a bottom, rear, left side isometric view thereof;
FIG. 3 is a front elevation view thereof;
FIG. 4 is a rear elevation view thereof;
FIG. 5 is a top plan view thereof;
FIG. 6 is a bottom plan view thereof;
FIG. 7 is a right side elevation view thereof;
FIG. 8 is a left side elevation view thereof; and,
FIG. 9 is a top, front, right side isometric view of the wireless charger stand, shown in a second configuration.
The broken lines depict portions of the wireless charger stand that form no part of the claimed design.

1 Claim, 9 Drawing Sheets



(56)

References Cited

OTHER PUBLICATIONS

“Black Fin Charging Stand”. Found online Feb. 10, 2021 at amazon.sg. Reference dated Jul. 12, 2018. Retrieved from <https://www.amazon.sg/Black-Fin-Charging-Stand-Sliver/dp/B07FK2SGS4>. (Year: 2018).*

“Mangotek Apple Watch Charging Stand”. Found online Feb. 10, 2021 at amazon.com. Reference dated Aug. 18, 2017. Retrieved from <https://www.amazon.com/Mangotek-Charging-Magnetic-Nightstand-Certified/dp/B074XG56YV/>. (Year: 2017).*

* cited by examiner

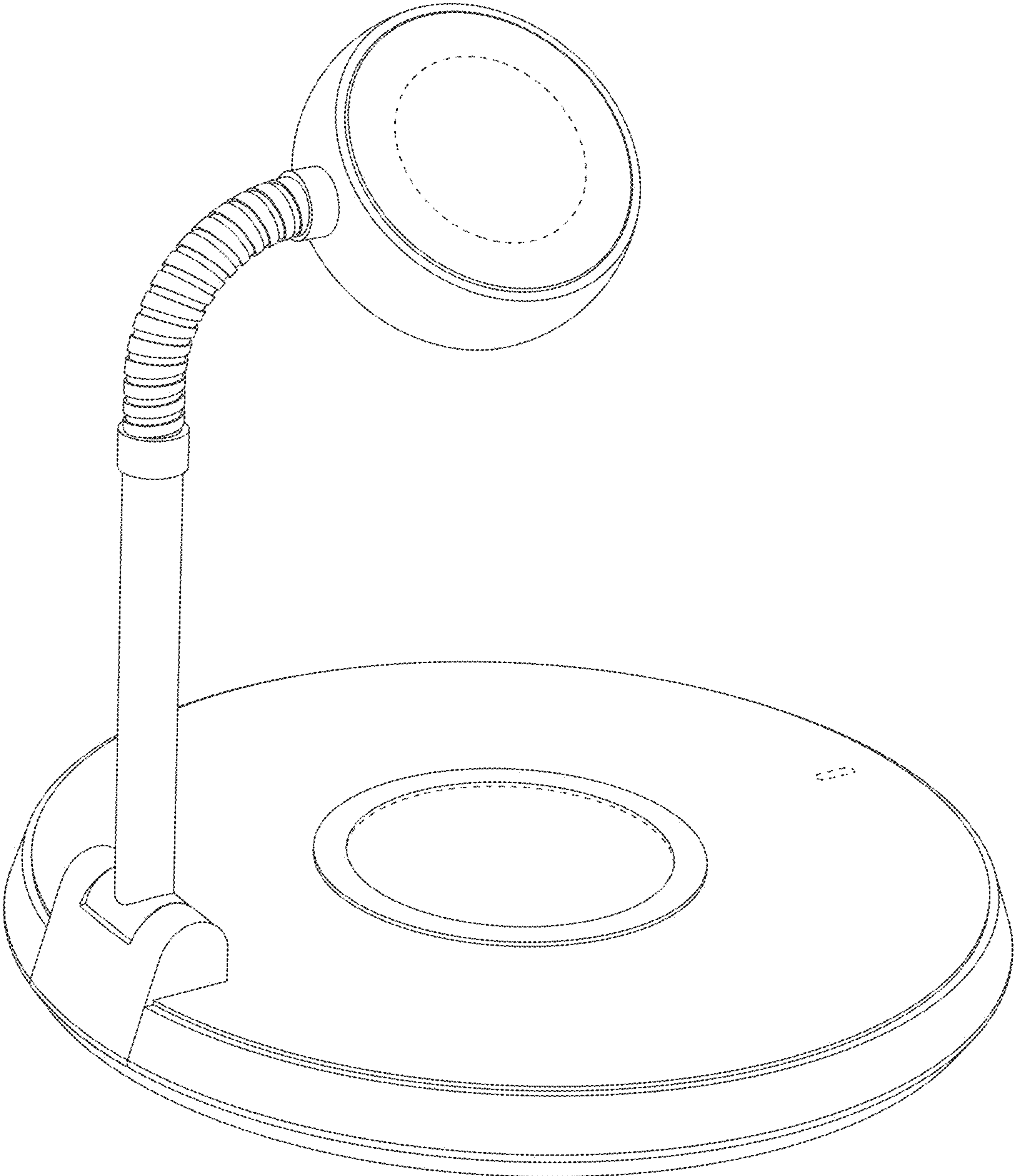


Fig.1

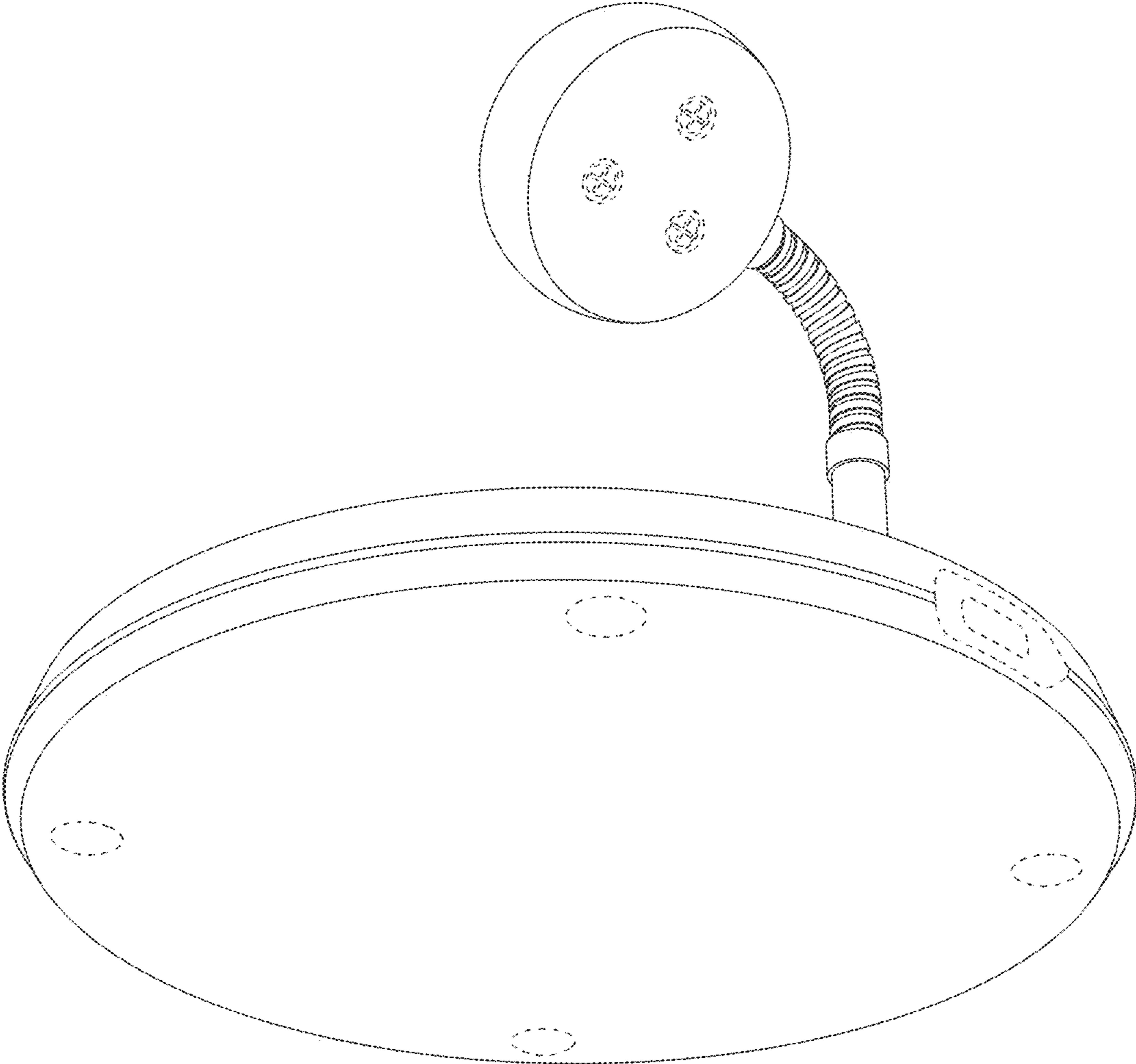


Fig.2

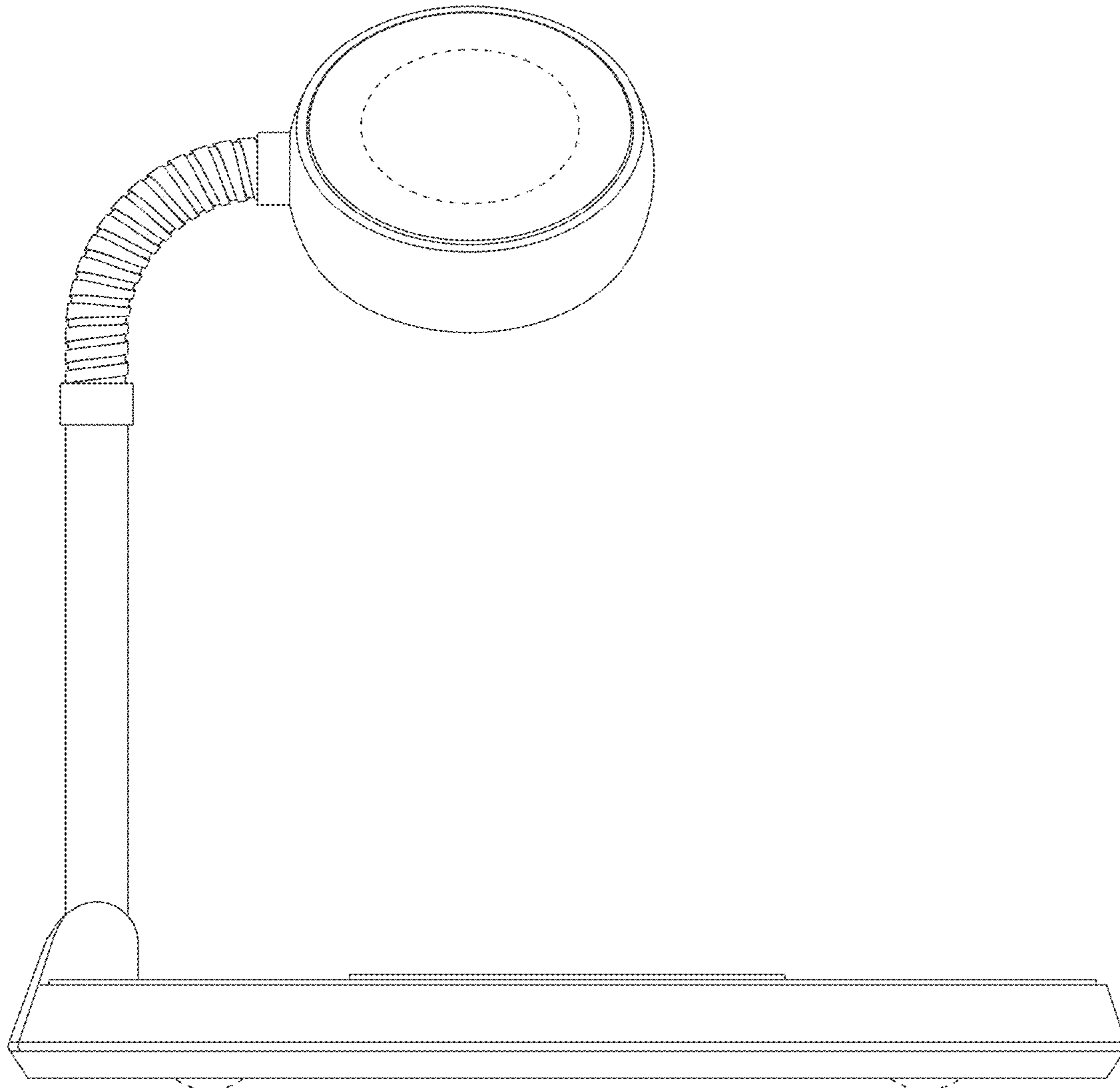


Fig.3

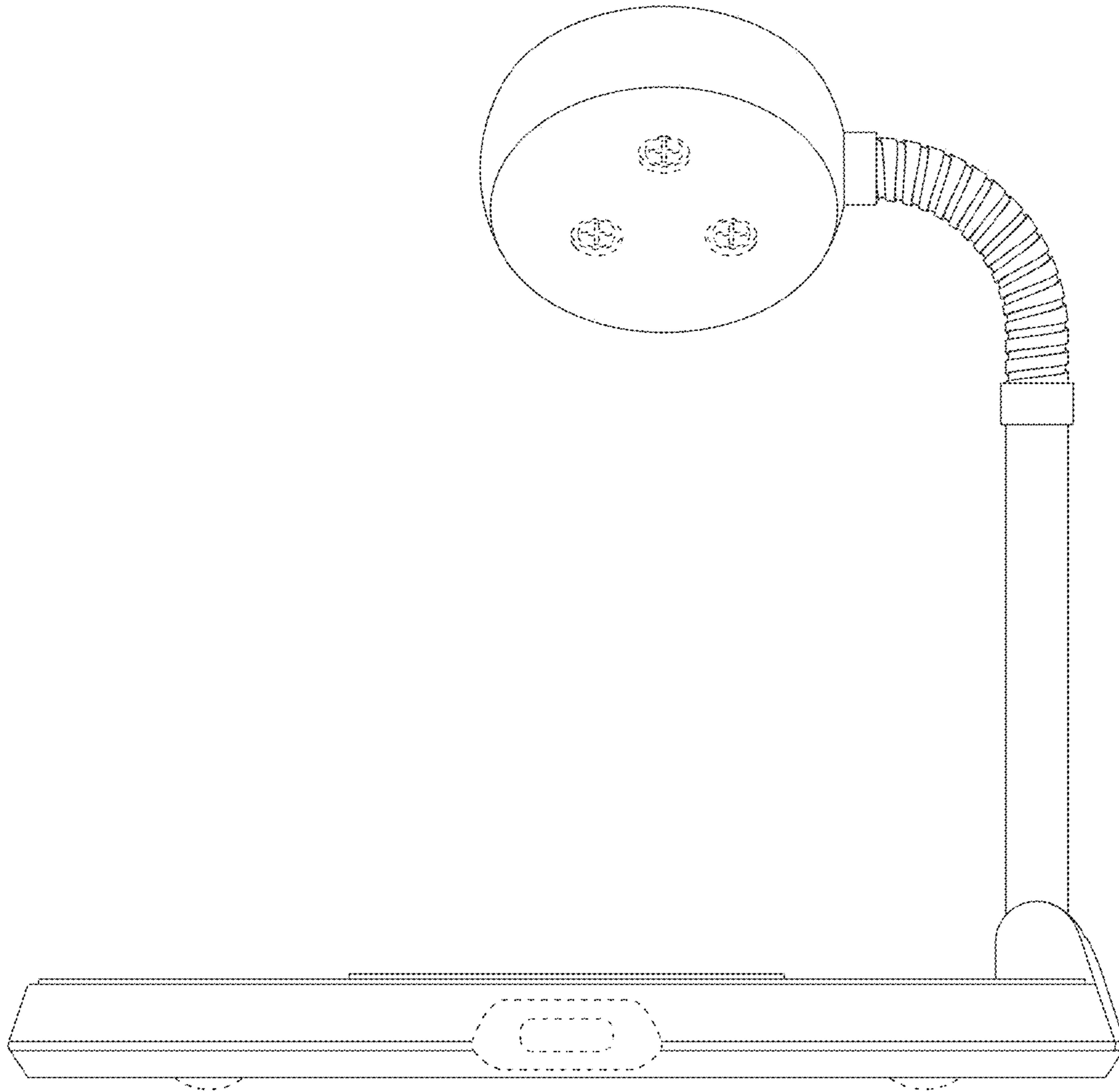


Fig.4

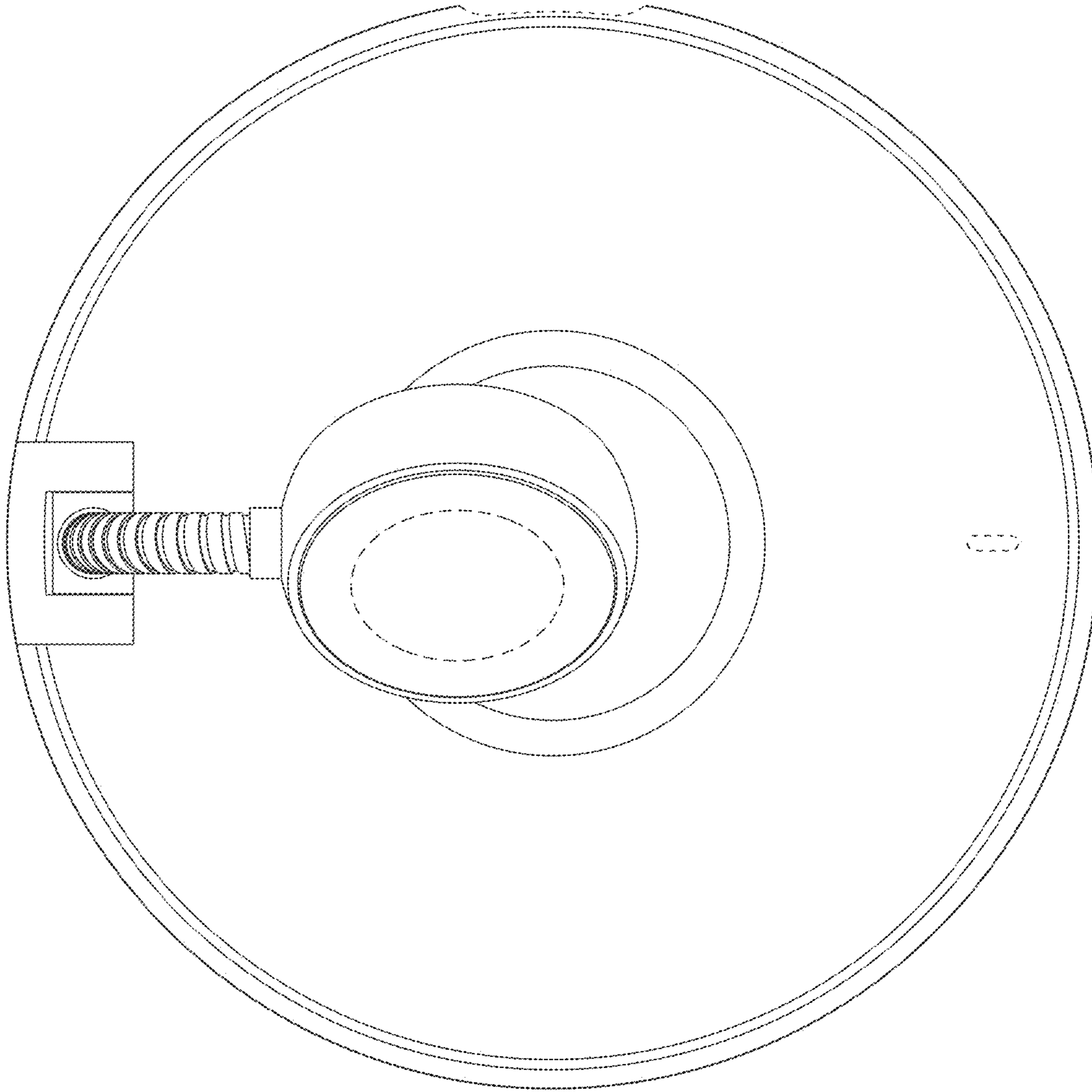


Fig.5

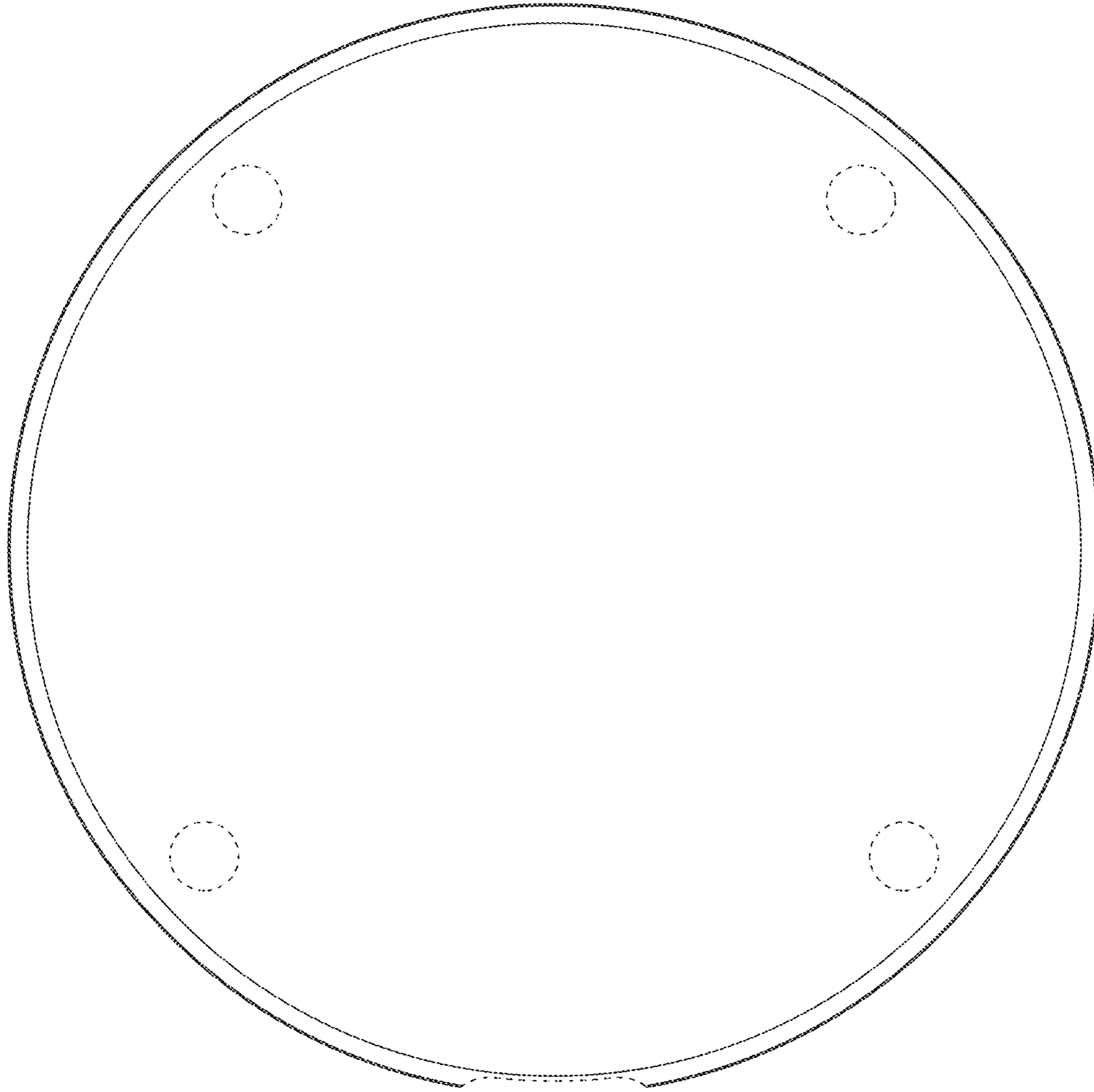


Fig.6

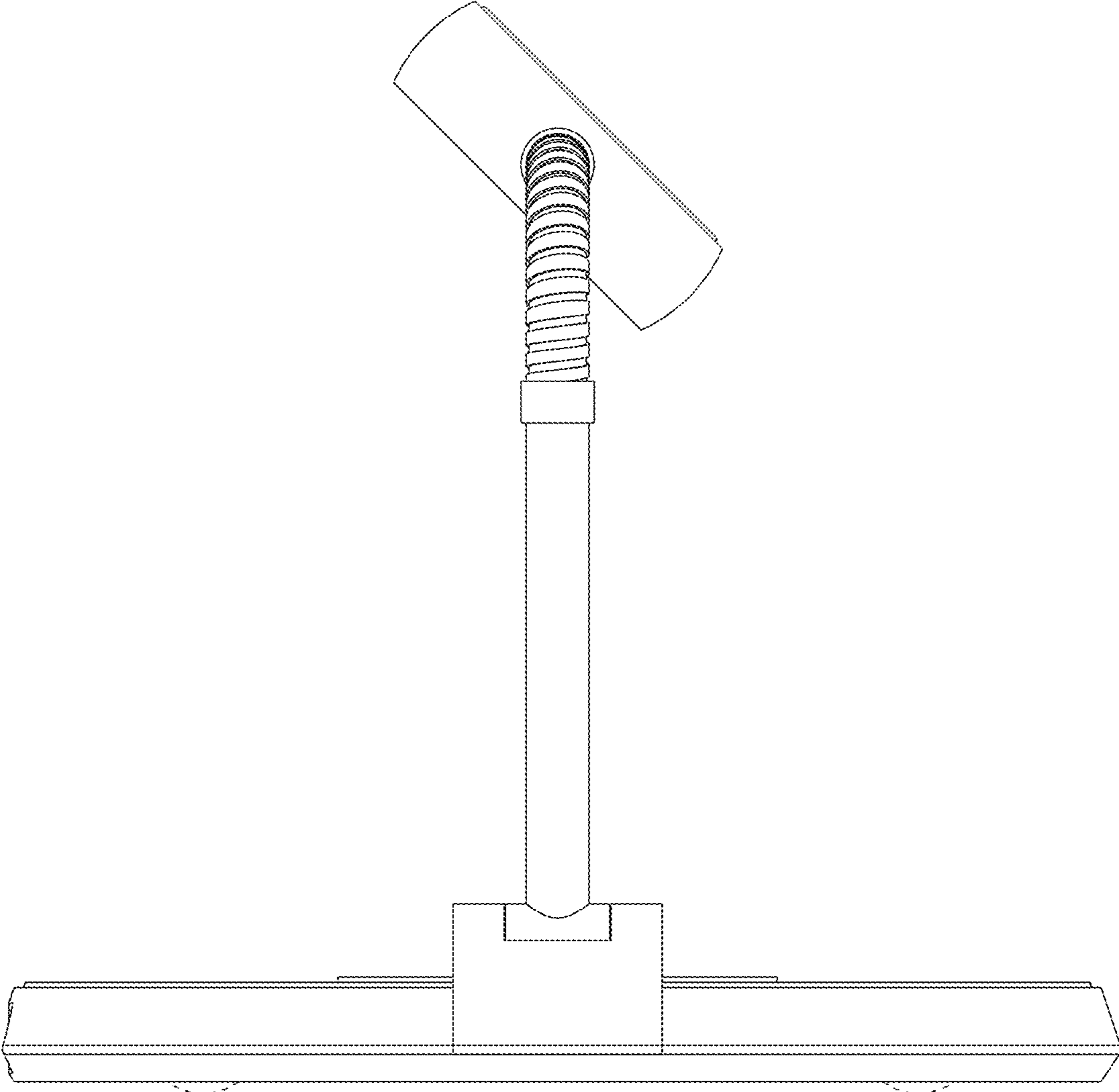


Fig.7

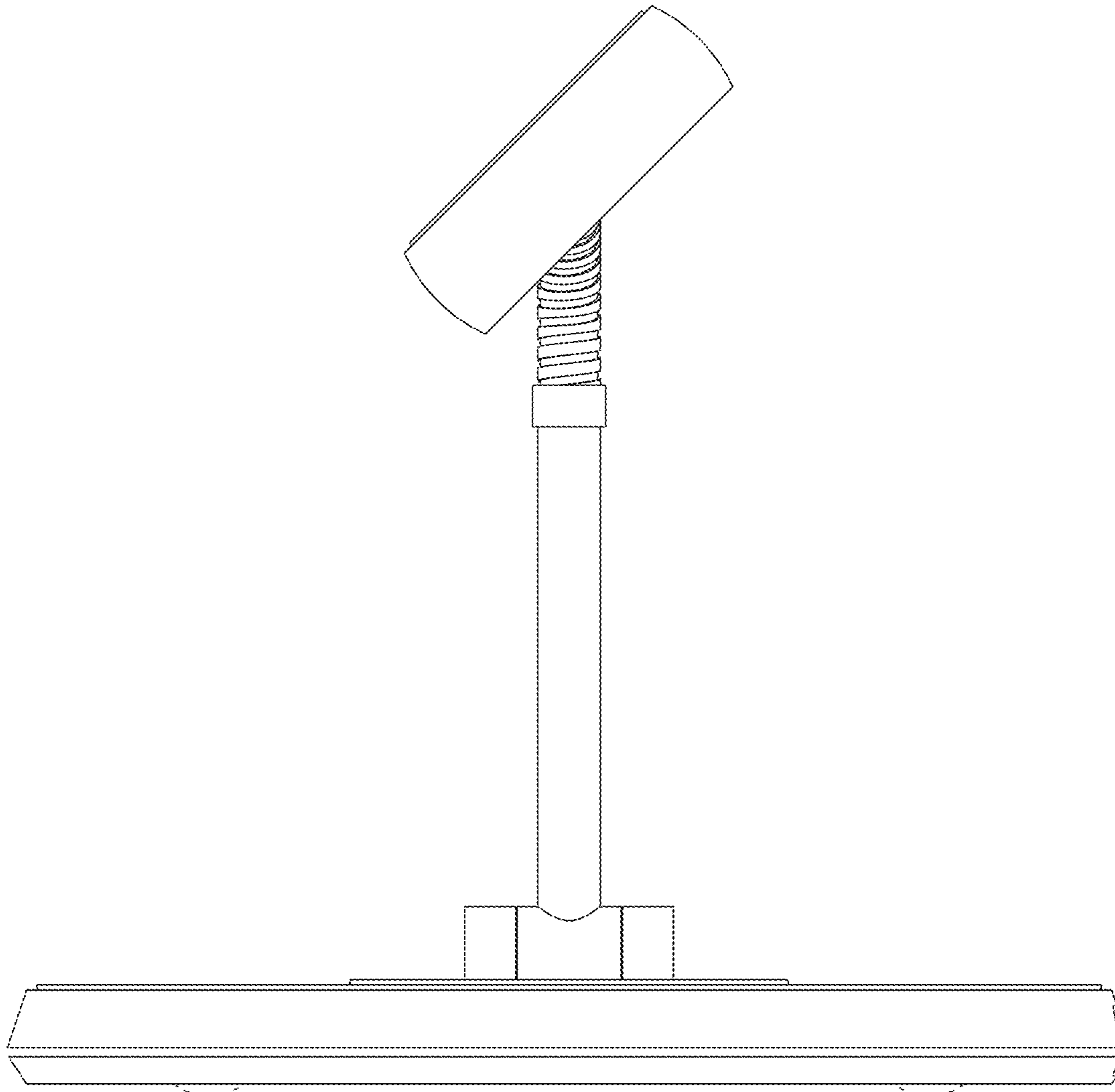


Fig.8

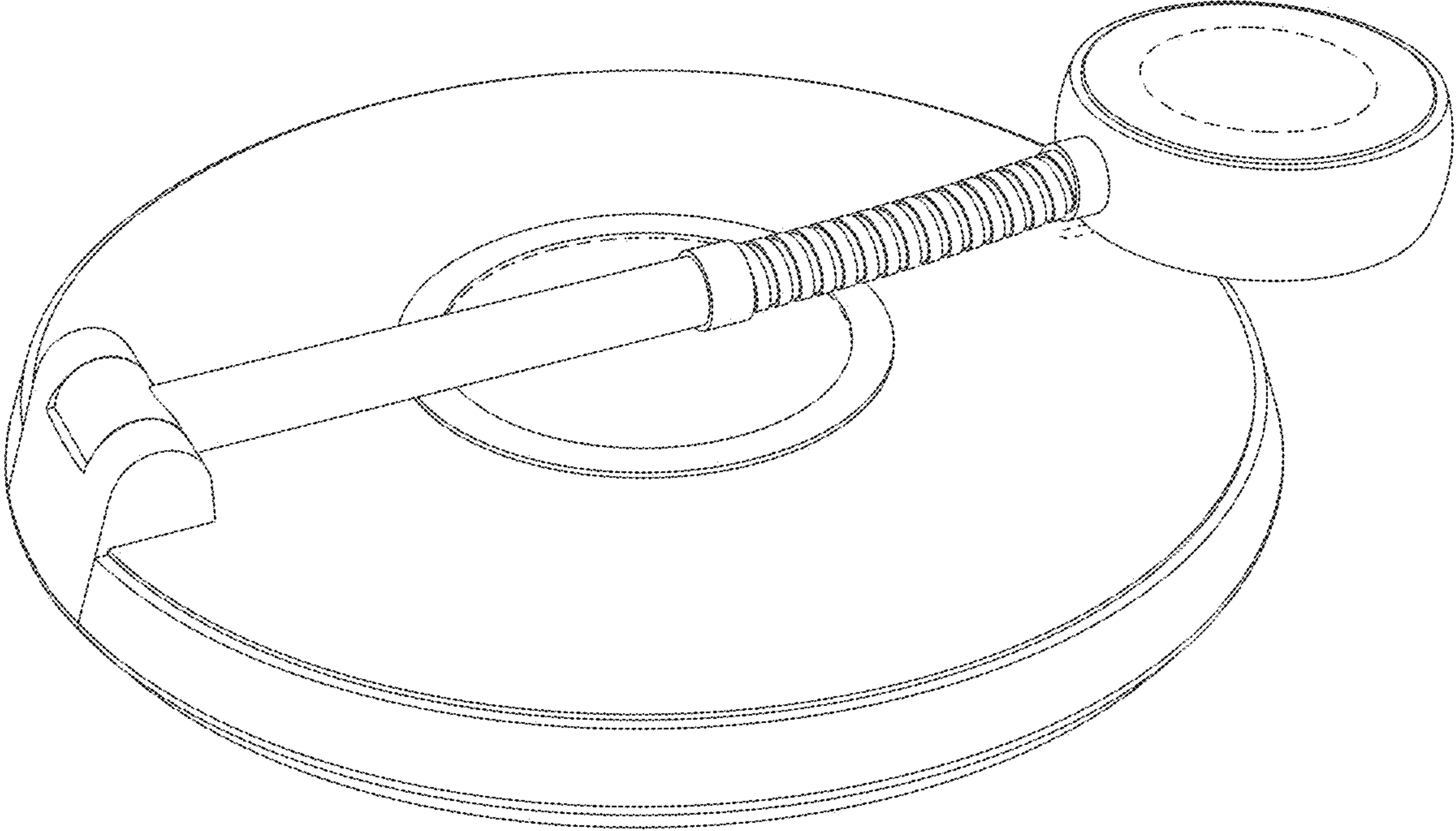


Fig.9