



US00D928699S

(12) **United States Design Patent**  
**Dai**

(10) **Patent No.:** **US D928,699 S**

(45) **Date of Patent:** **\*\* Aug. 24, 2021**

(54) **BATTERY BOX FOR INDUCTION LIGHTS**

(56) **References Cited**

(71) Applicant: **Xianjun Dai**, Zhejiang (CN)

U.S. PATENT DOCUMENTS

(72) Inventor: **Xianjun Dai**, Zhejiang (CN)

D288,791 S \* 3/1987 Bezikos ..... D10/102  
5,415,947 A \* 5/1995 Mitsui ..... H01M 50/597  
429/1

(\*\*) Term: **15 Years**

D507,546 S \* 7/2005 Fairfull ..... D13/184

(21) Appl. No.: **29/718,953**

D640,608 S \* 6/2011 Funabiki ..... D12/114

(22) Filed: **Dec. 30, 2019**

D747,398 S \* 1/2016 Lee ..... D16/239

(30) **Foreign Application Priority Data**

D789,880 S \* 6/2017 Li ..... H01M 50/597  
D13/102

Aug. 26, 2019 (CN) ..... 201930466042.8

D830,969 S \* 10/2018 Wang ..... D13/107

(51) **LOC (13) Cl.** ..... **13-02**

D871,339 S \* 12/2019 Yang ..... D13/119

(52) **U.S. Cl.**

D872,022 S \* 1/2020 Yang ..... D13/119

USPC ..... **D13/103**

\* cited by examiner

(58) **Field of Classification Search**

*Primary Examiner* — Rosemary K Tarcza

*Assistant Examiner* — Seth David Kumpf

USPC ..... D13/102, 103, 104, 105, 106, 107, 108,  
D13/110, 118, 119, 184, 199; D3/273,  
D3/274, 302, 201, 264

(57) **CLAIM**

The ornamental design for a battery box for induction lights,  
as shown and described.

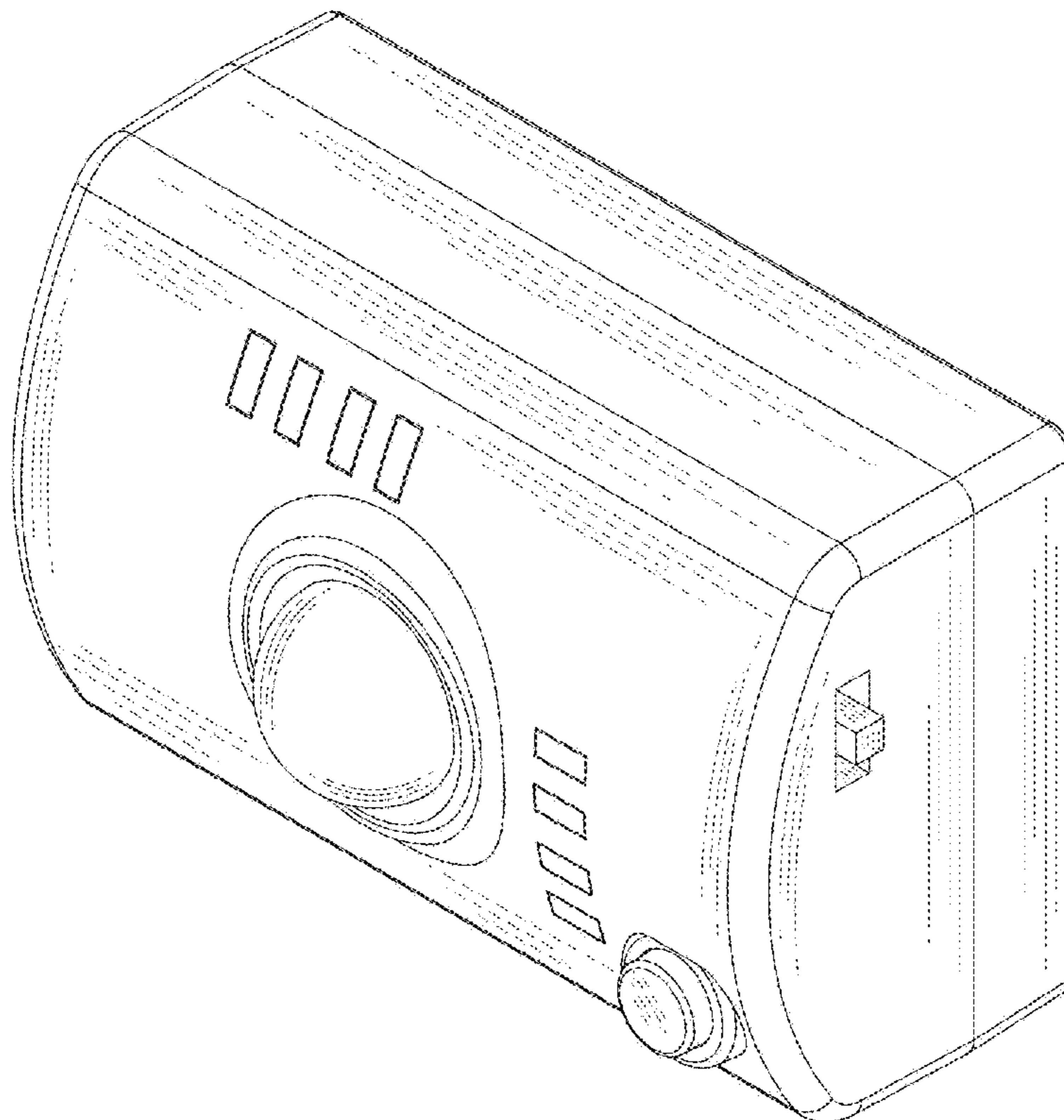
CPC ..... Y02E 60/12; Y02E 60/122; Y02E 60/124;  
Y02E 60/50; H01M 10/4257; H01M  
10/0436; H01M 10/48; H01M 2/02;  
H01M 2/022; H01M 2/0202; H01M  
2/0207; H01M 2/0212; H01M 2/1061;  
H01M 2/1022; H01M 2/1055; H01M  
2/1066; H01M 2/105; H01M 2/204;  
H01M 2/04; H01M 2/0404; H01M  
2/0406; H01M 2/0465; H01M 2/06

**DESCRIPTION**

FIG. 1 is a perspective view of a battery box for induction  
lights showing my new design;  
FIG. 2 is a front elevation view thereof;  
FIG. 3 is a rear elevation view thereof;  
FIG. 4 is a left side elevation view thereof;  
FIG. 5 is a right side elevation view thereof;  
FIG. 6 is a top plan view thereof; and,  
FIG. 7 is a bottom plan view thereof.

See application file for complete search history.

**1 Claim, 7 Drawing Sheets**



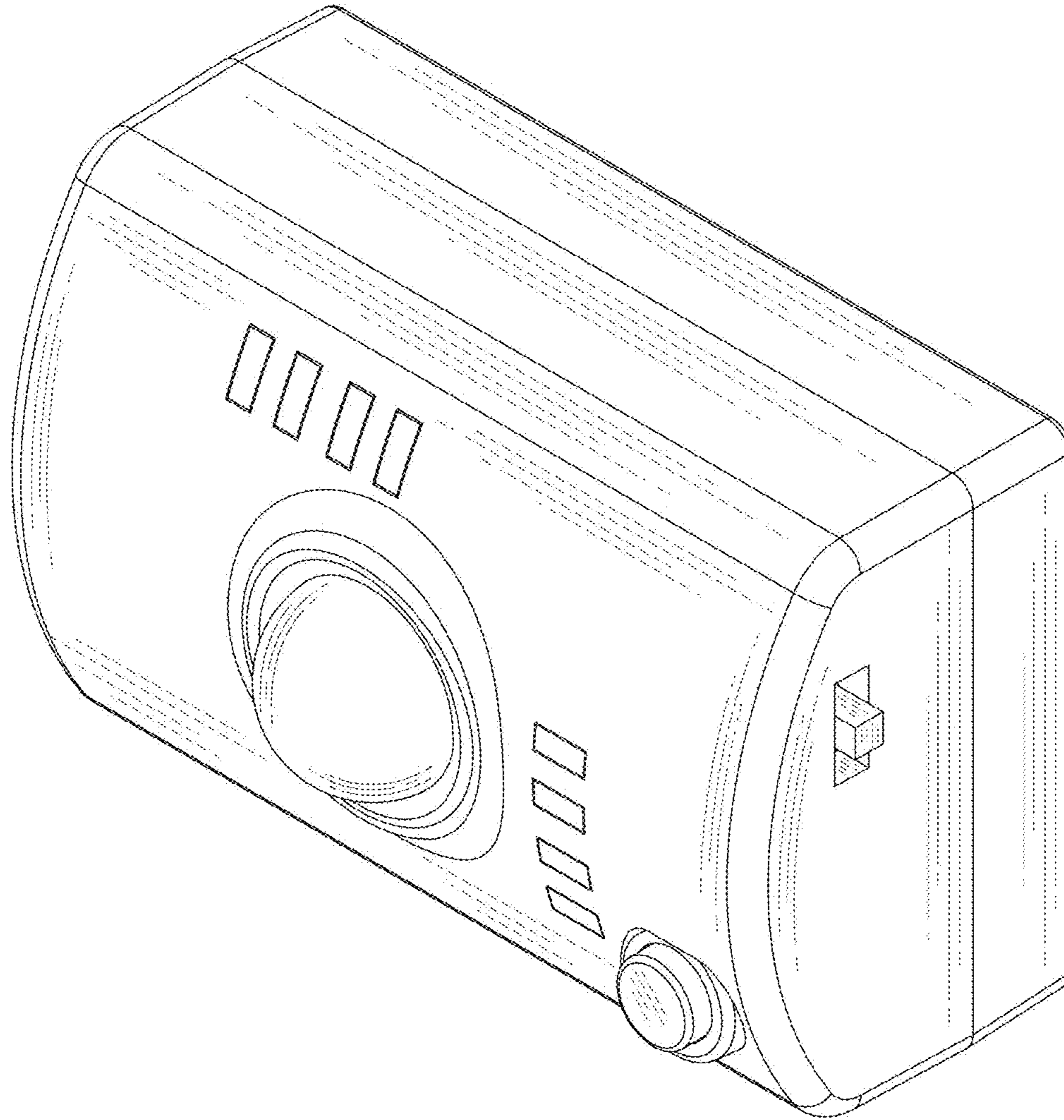


FIG.1

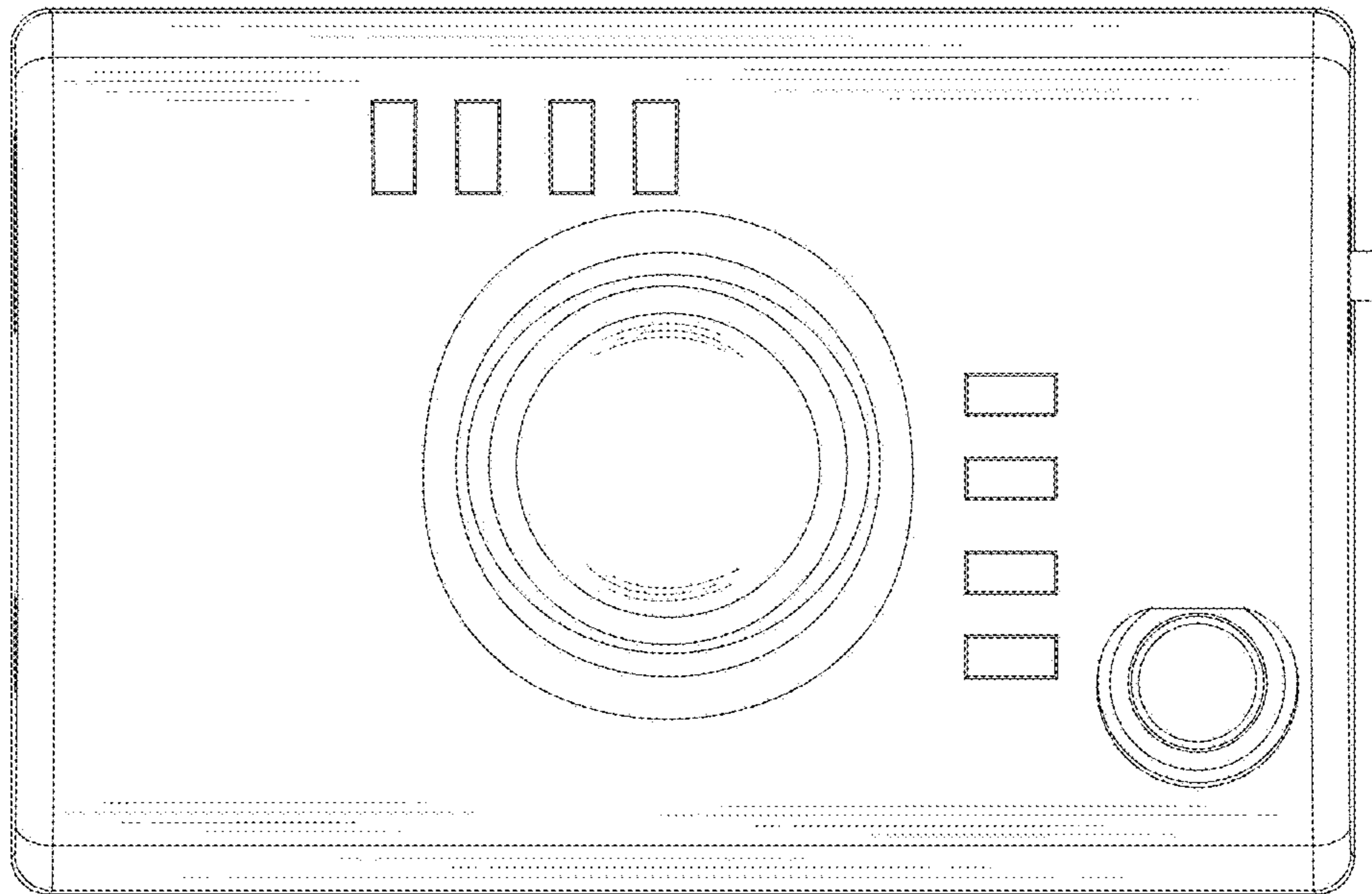


FIG.2

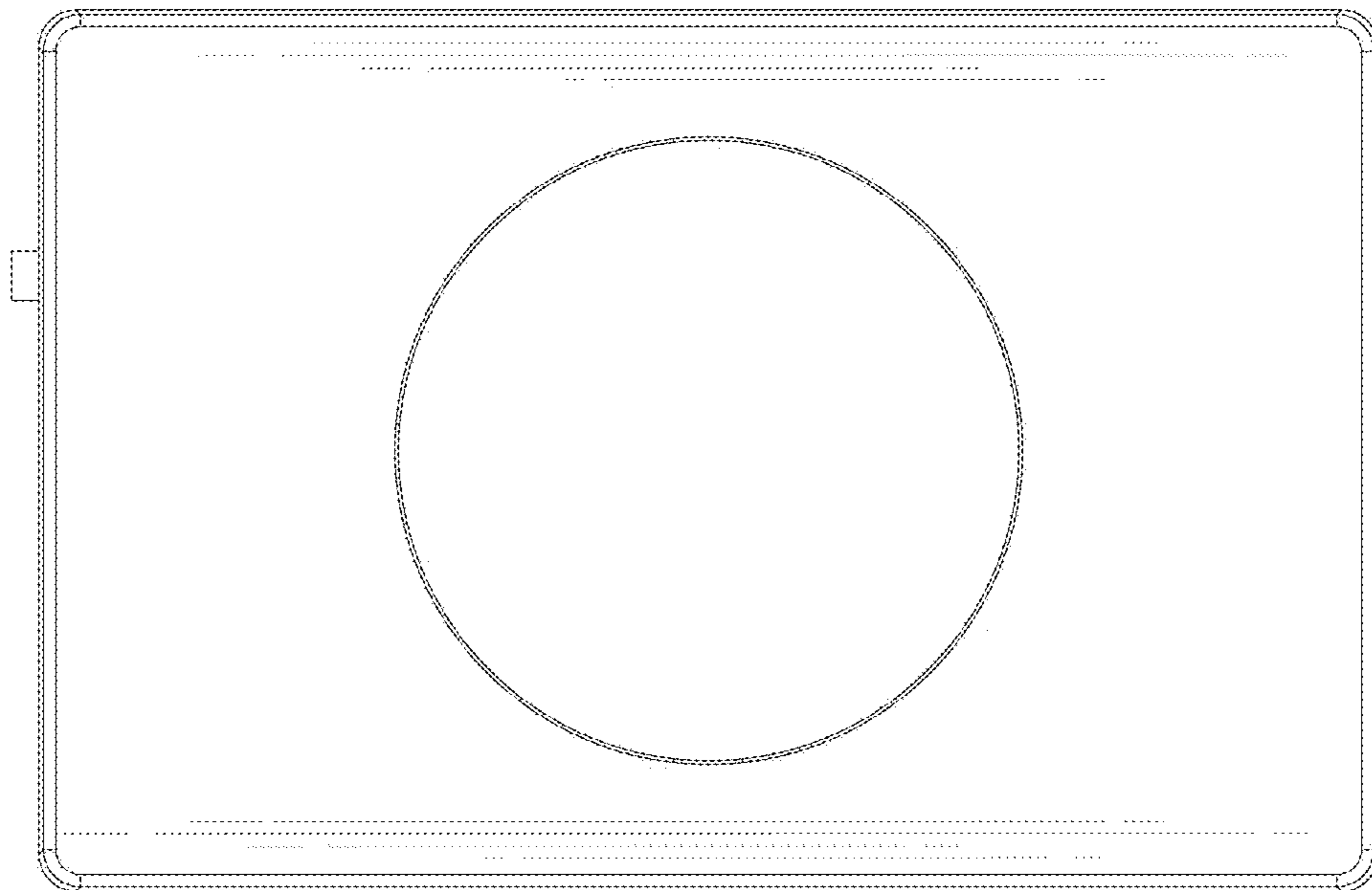


FIG.3

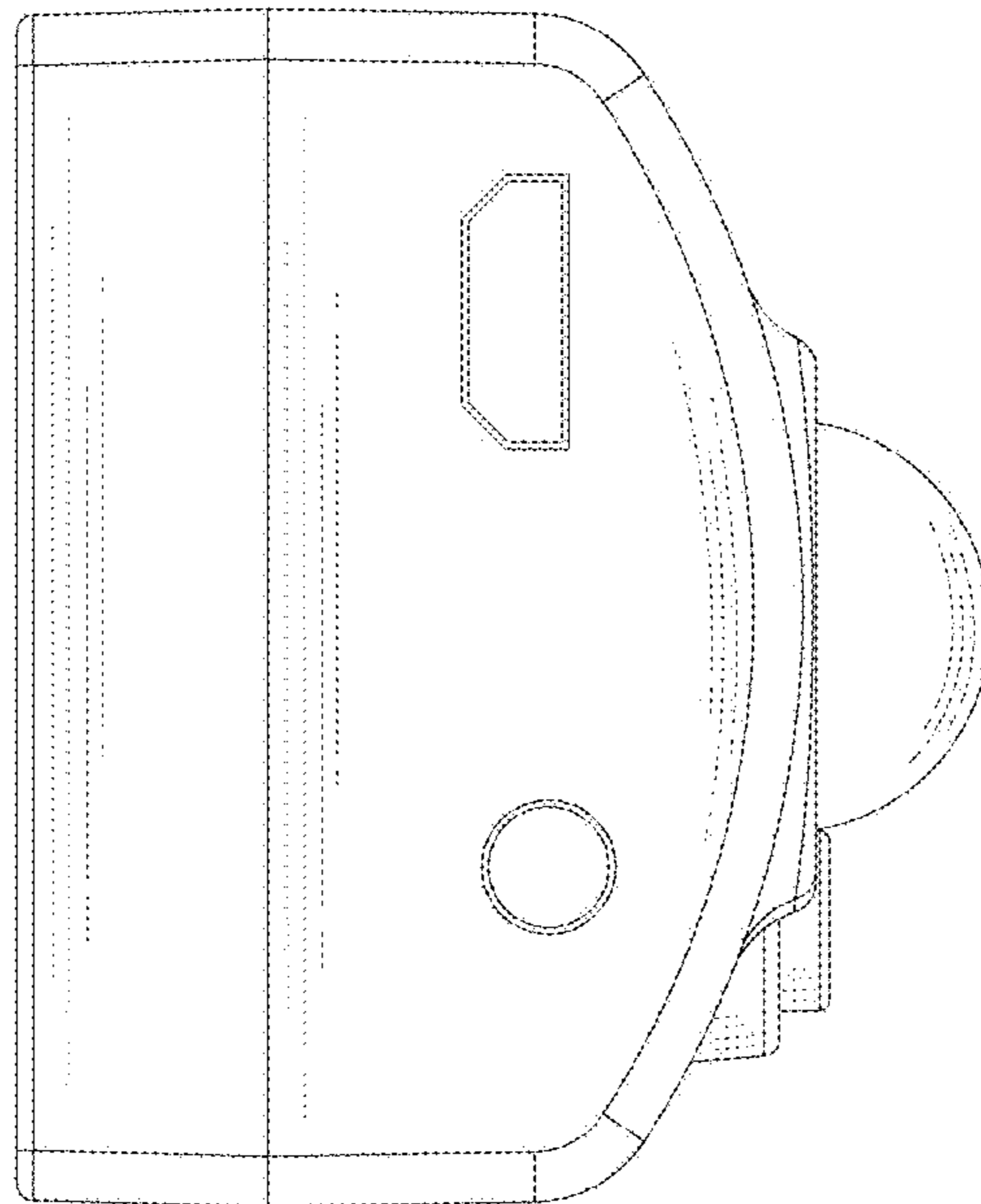


FIG.4

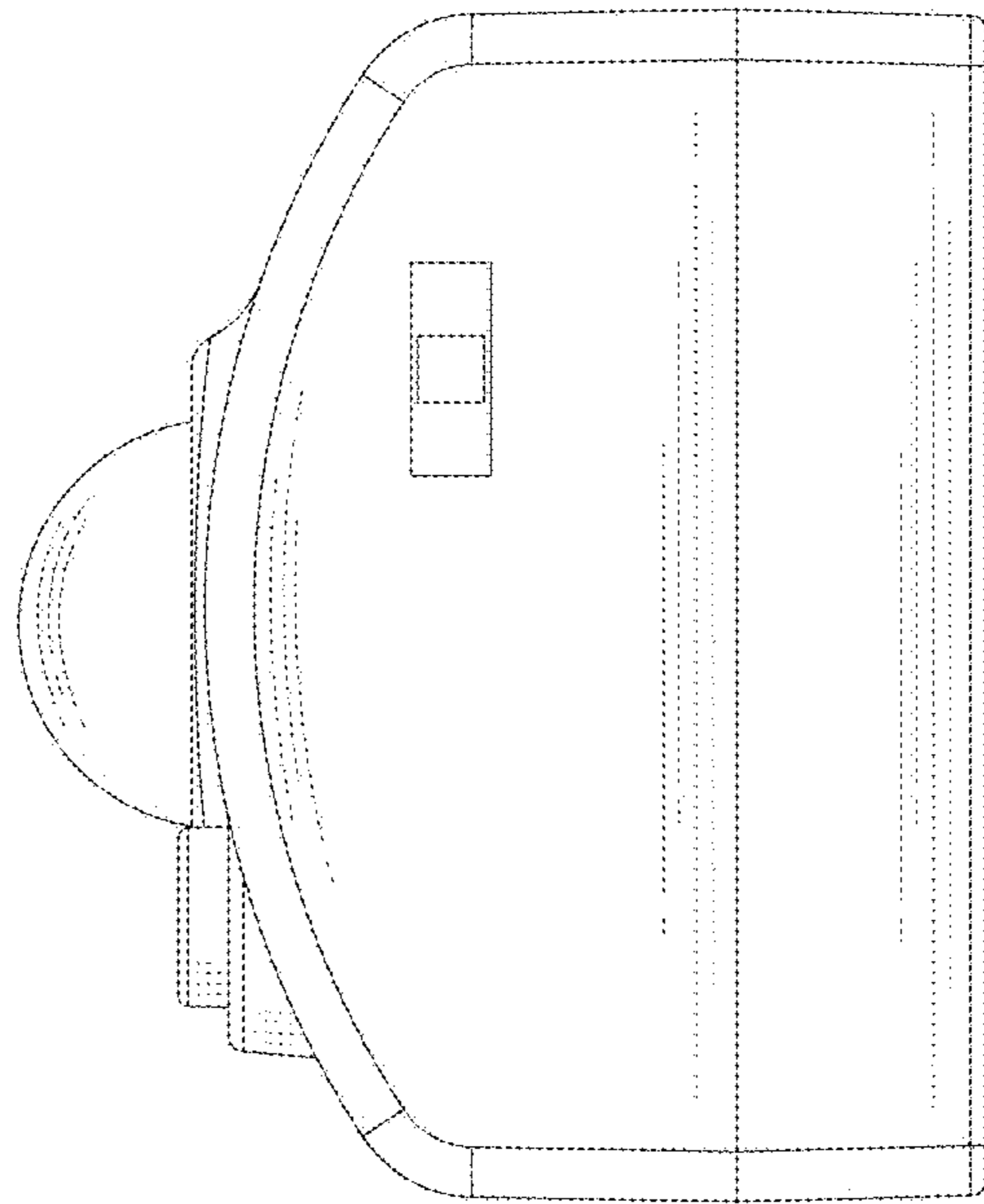


FIG. 5

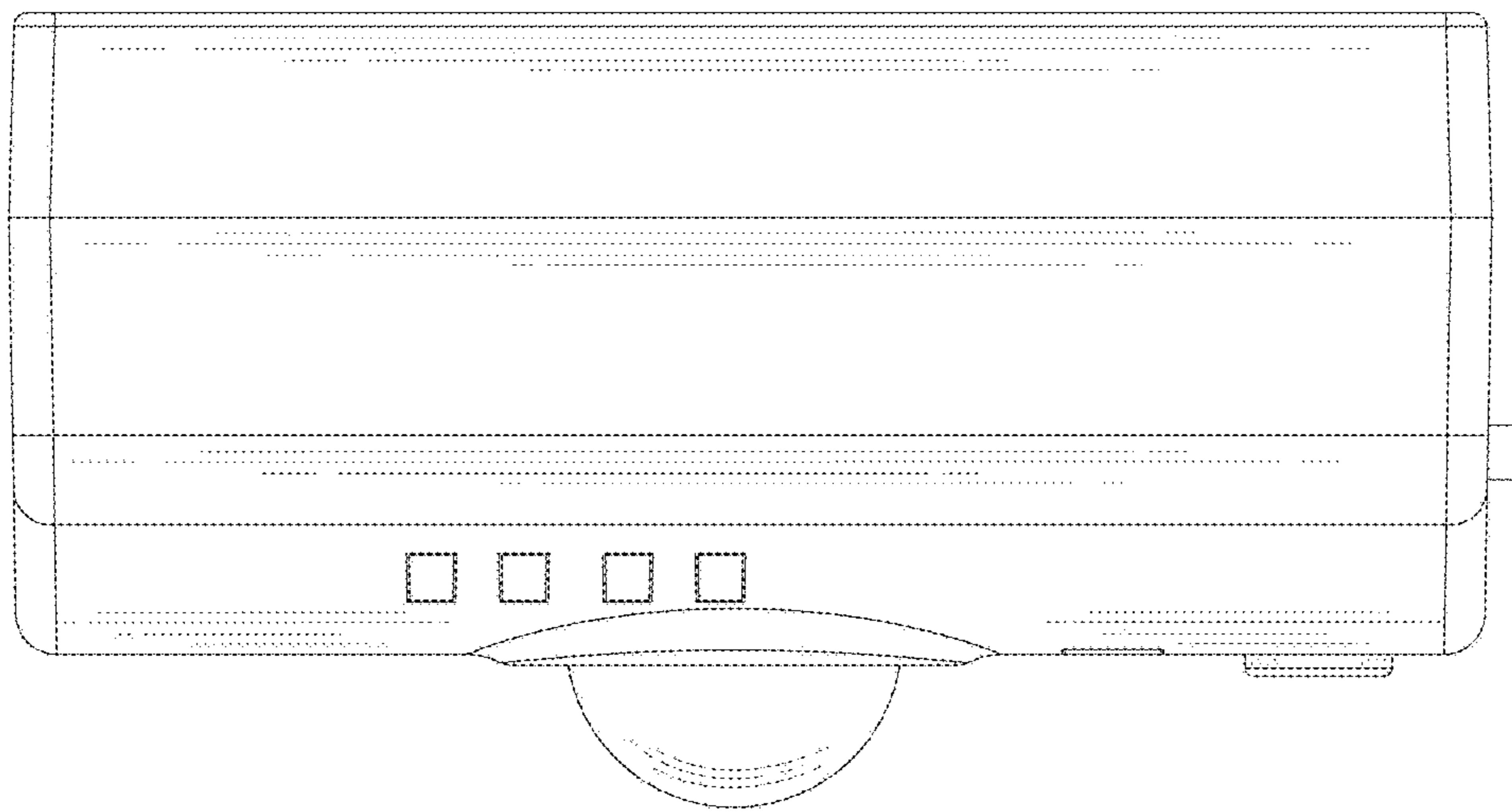


FIG.6

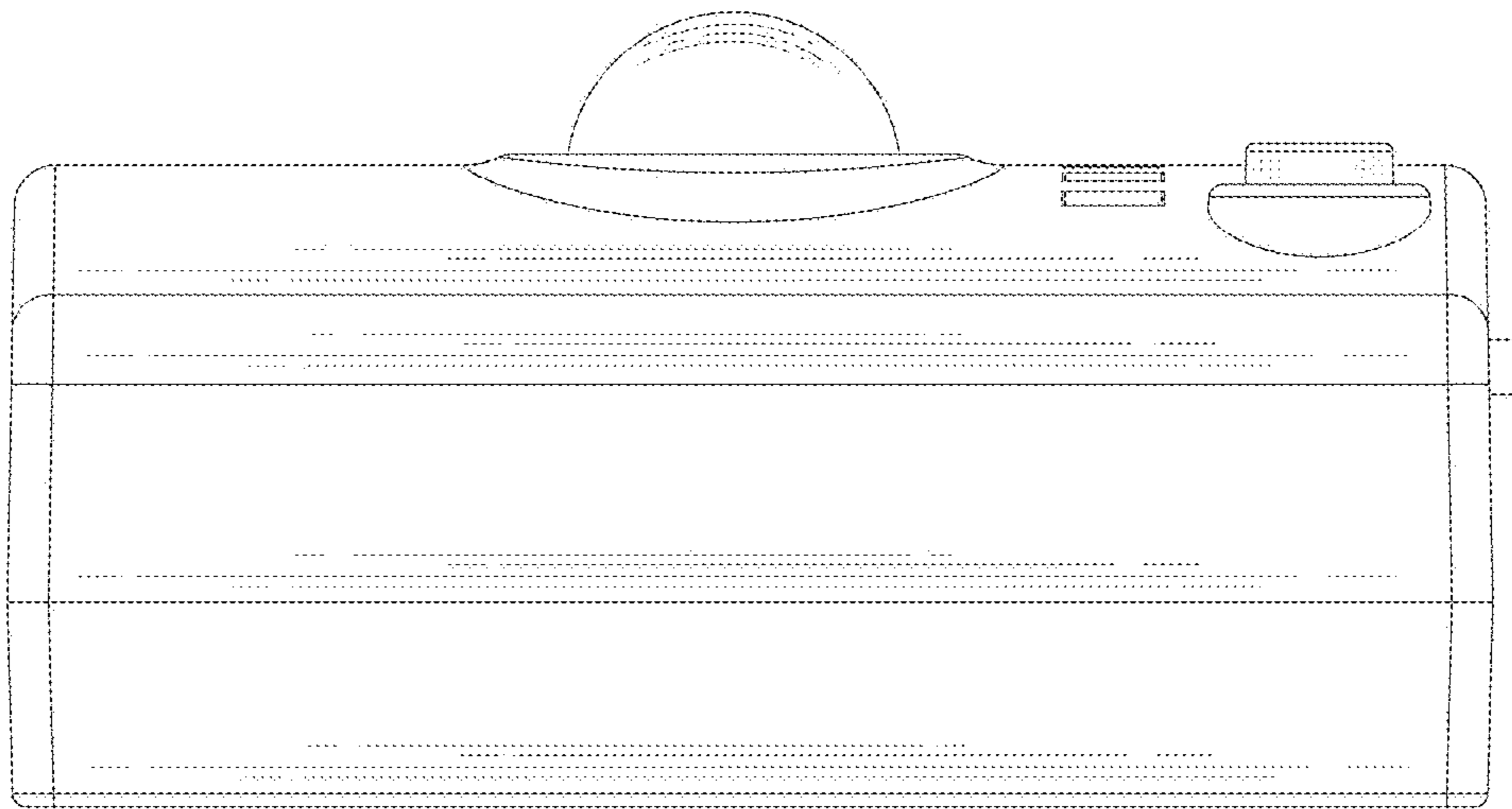


FIG. 7