



US00D928697S

(12) **United States Design Patent**
Kuwahara

(10) **Patent No.:** **US D928,697 S**

(45) **Date of Patent:** **** Aug. 24, 2021**

(54) **AUTOMOBILE TIRE**

(71) Applicant: **THE YOKOHAMA RUBBER CO., LTD.**, Tokyo (JP)

(72) Inventor: **Noboru Kuwahara**, Tokyo (JP)

(73) Assignee: **THE YOKOHAMA RUBBER CO., LTD.**, Tokyo (JP)

(**) Term: **15 Years**

(21) Appl. No.: **29/687,106**

(22) Filed: **Apr. 10, 2019**

(30) **Foreign Application Priority Data**

Oct. 10, 2018 (JP) 2018-022218

(51) **LOC (13) Cl.** **12-15**

(52) **U.S. Cl.**
USPC **D12/605**

(58) **Field of Classification Search**
USPC D12/604, 605
CPC B60C 13/00; B60C 1/00
See application file for complete search history.

(56) **References Cited**

U.S. PATENT DOCUMENTS

D452,203 S *	12/2001	Kajikawa	D12/605
D517,003 S *	3/2006	Shondel	D12/605
D541,211 S *	4/2007	Shondel	D12/605
D567,169 S *	4/2008	Maxwell	D12/605
D569,792 S *	5/2008	Holden	D12/605
D585,017 S *	1/2009	Shondel	D12/605
D588,532 S *	3/2009	Shondel	D12/605
D598,843 S *	8/2009	Maxwell	D12/605
D602,427 S *	10/2009	Takahashi	D12/605
D611,403 S *	3/2010	Kuwano	D12/605
D629,745 S *	12/2010	Shondel	D12/605
D638,783 S *	5/2011	Endou	D12/605

D650,323 S *	12/2011	Morito	D12/605
D655,671 S *	3/2012	Yasunaga	D12/605
D656,089 S *	3/2012	Miyazaki	D12/605
D671,066 S *	11/2012	Morito	D12/605
D683,695 S *	6/2013	Takeshima	D12/605
D695,211 S *	12/2013	Yasunaga	D12/605
D740,220 S *	10/2015	Nakamura	D12/605
D754,063 S *	4/2016	Iwabuchi	D12/605
D777,094 S *	1/2017	Takahashi	D12/605
D778,816 S *	2/2017	Tokizaki	D12/605
D791,694 S *	7/2017	Sato	D12/605
D800,646 S *	10/2017	Sato	D12/605

(Continued)

Primary Examiner — Michelle E. Wilson

Assistant Examiner — Clese Moore, Jr.

(74) *Attorney, Agent, or Firm* — Banner & Witcoff, Ltd.

(57) **CLAIM**

The ornamental design for an automobile tire, as shown and described.

DESCRIPTION

FIG. 1 is a perspective view of an automobile tire showing my design;

FIG. 2 is a front view thereof;

FIG. 3 is a rear view thereof;

FIG. 4 is a right side view thereof;

FIG. 5 is a left side view thereof;

FIG. 6 is a top view thereof;

FIG. 7 is a bottom view thereof;

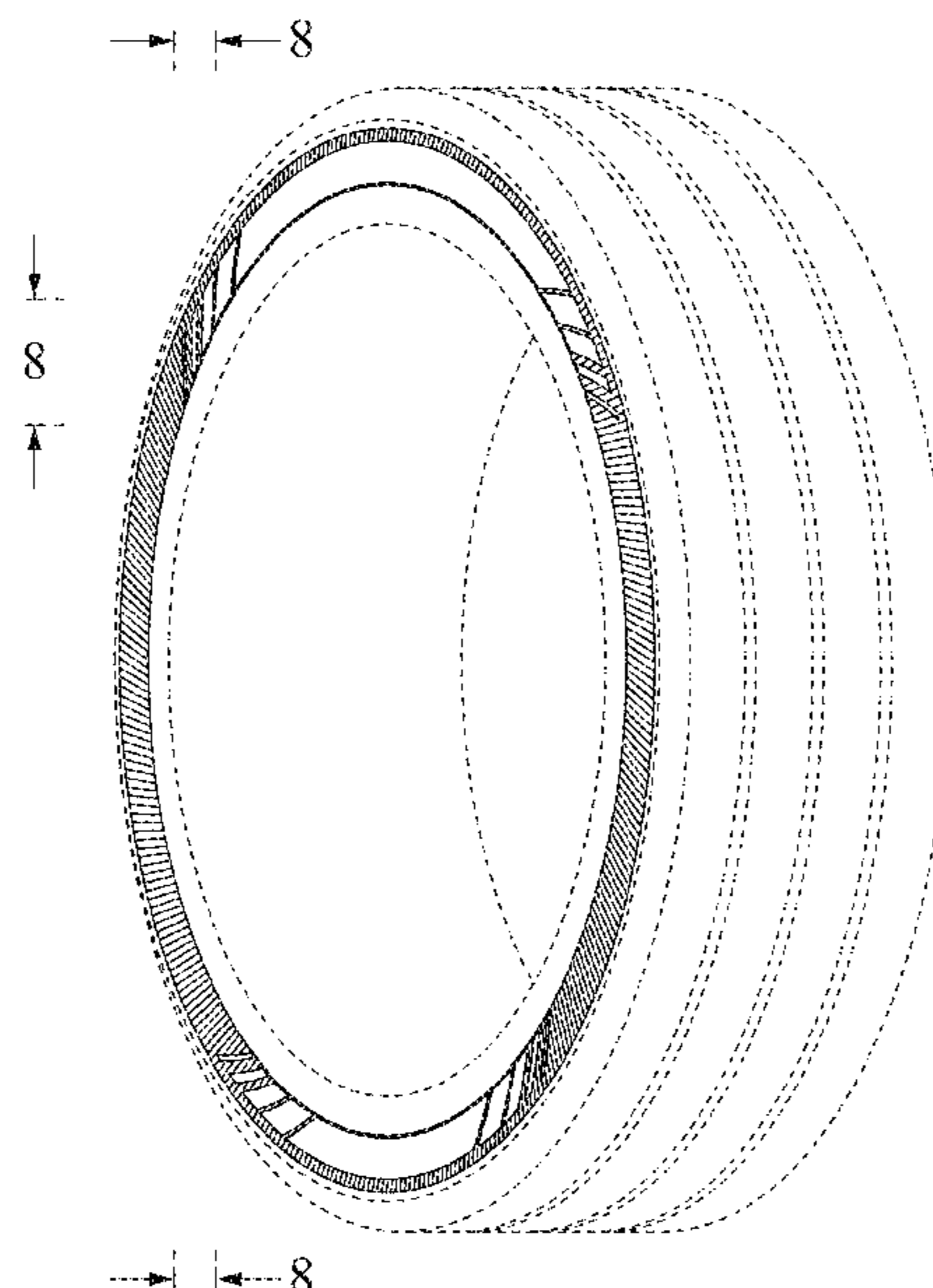
FIG. 8 is a partially enlarged view of a portion defined by lines 8-8 shown in FIG. 1;

FIG. 9 is a partially enlarged view of a portion defined by lines 9-9 shown in FIG. 2; and,

FIG. 10 is a cross sectional view of a portion defined by lines 10-10 shown in FIG. 9.

In the drawings, the broken lines depict environmental subject matter only and form no part of the claimed design.

1 Claim, 9 Drawing Sheets



(56)

References Cited

U.S. PATENT DOCUMENTS

D829,162 S * 9/2018 Sano D12/605
D829,644 S * 10/2018 Morita D12/605

* cited by examiner

FIG. 1

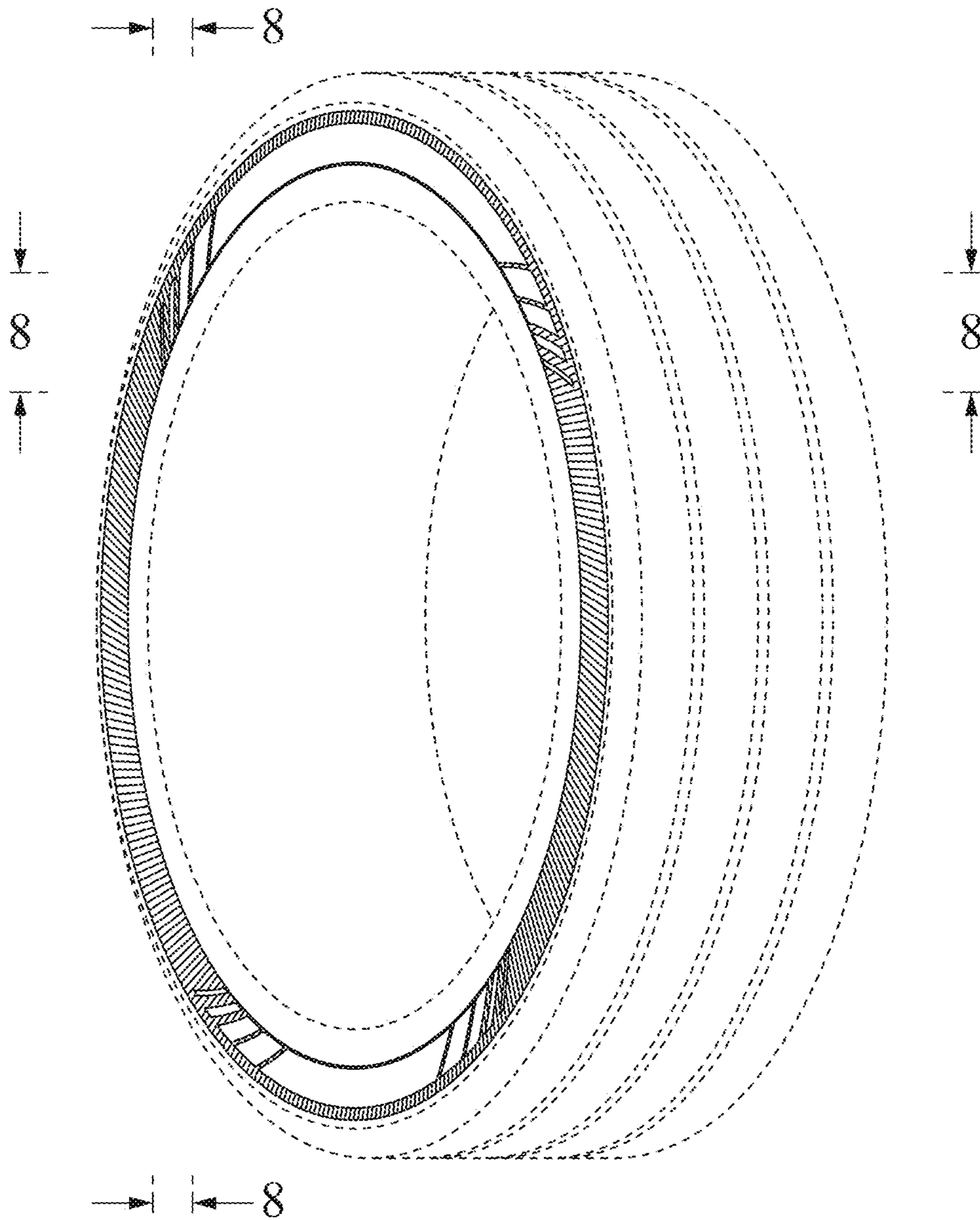


FIG. 2

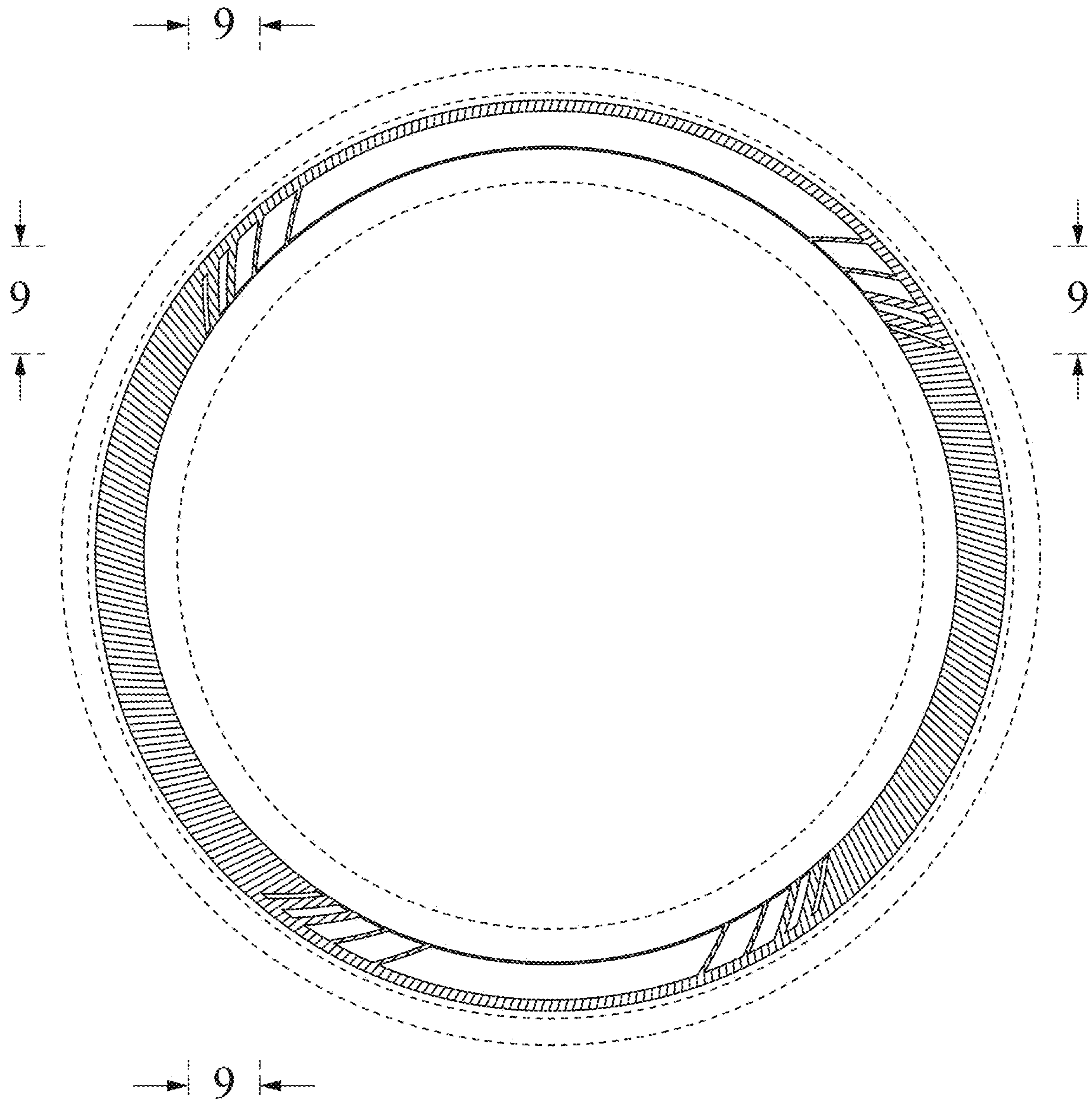


FIG. 3

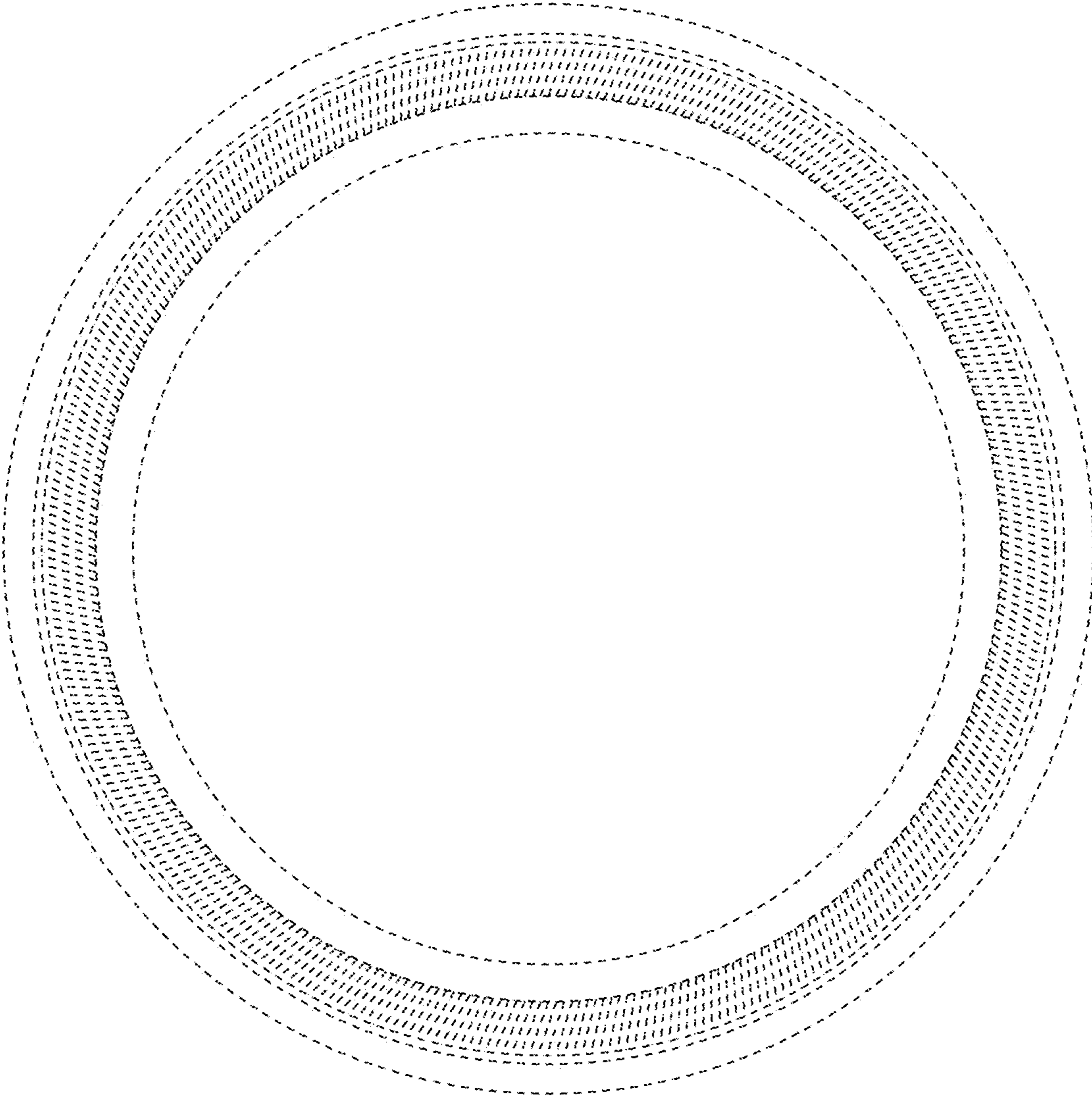


FIG. 4

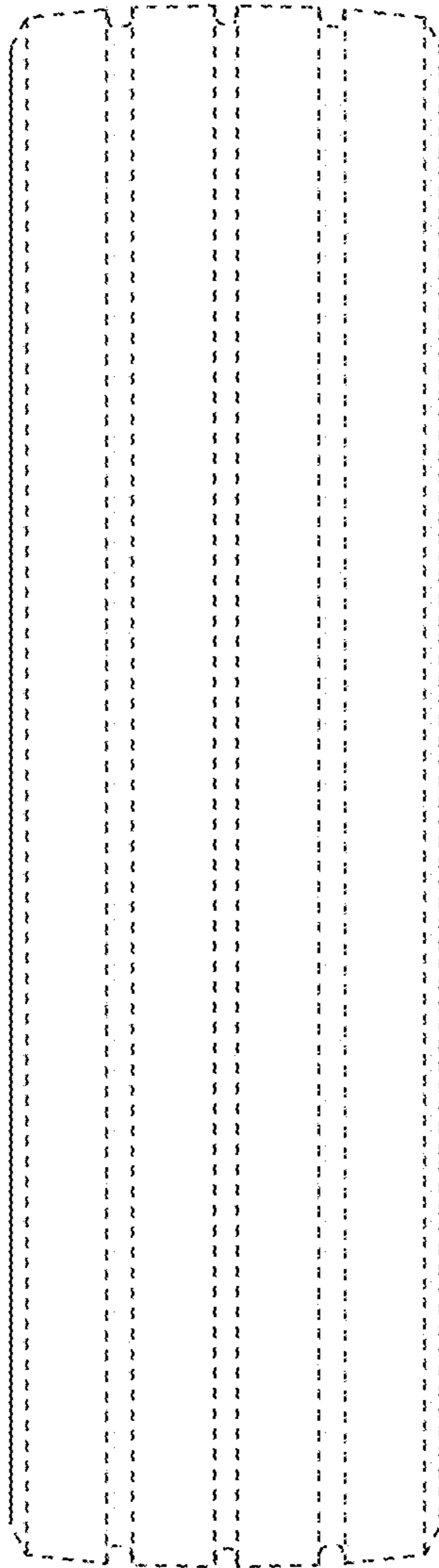


FIG. 5

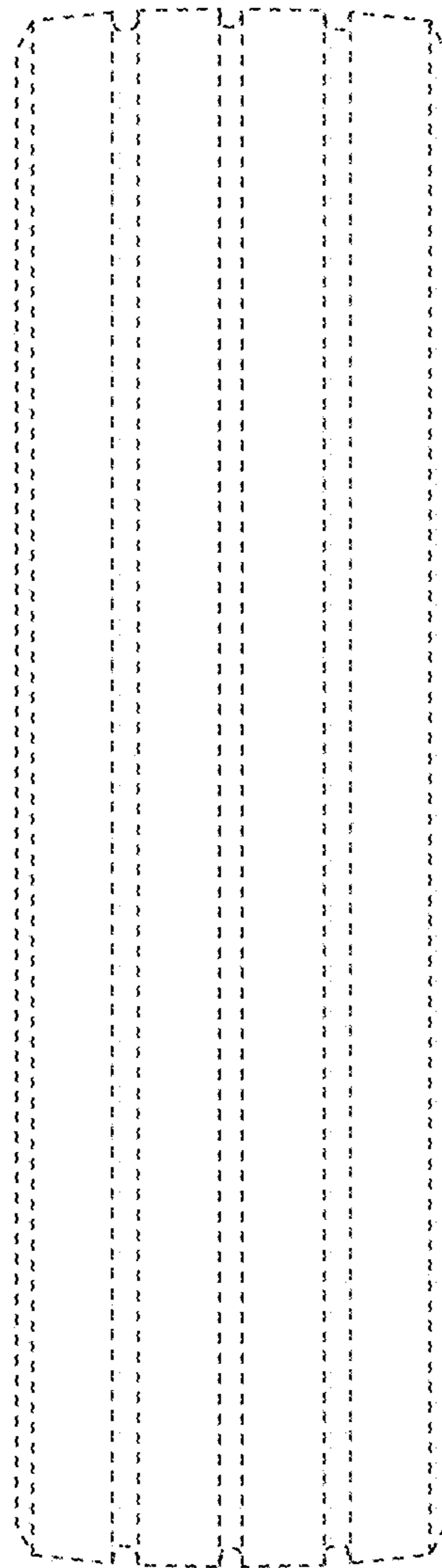


FIG. 6

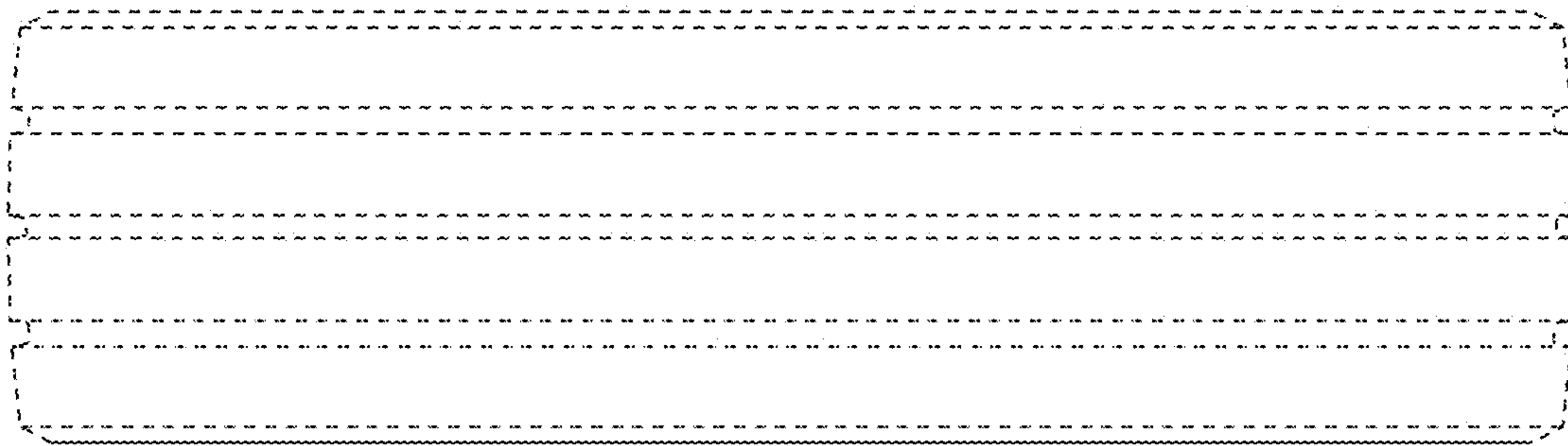


FIG. 7

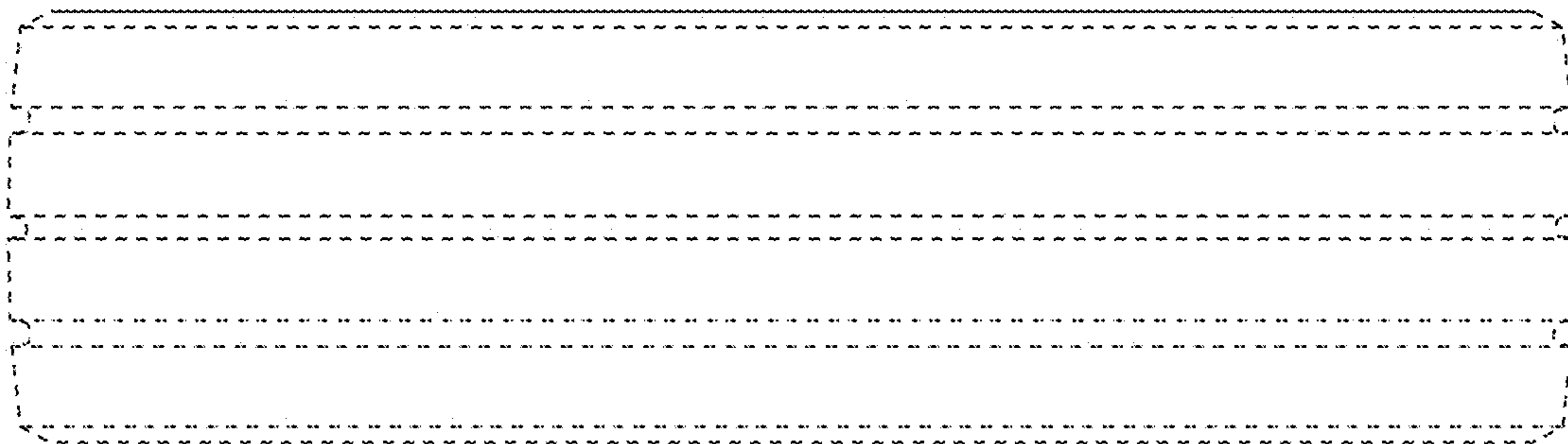


FIG. 8

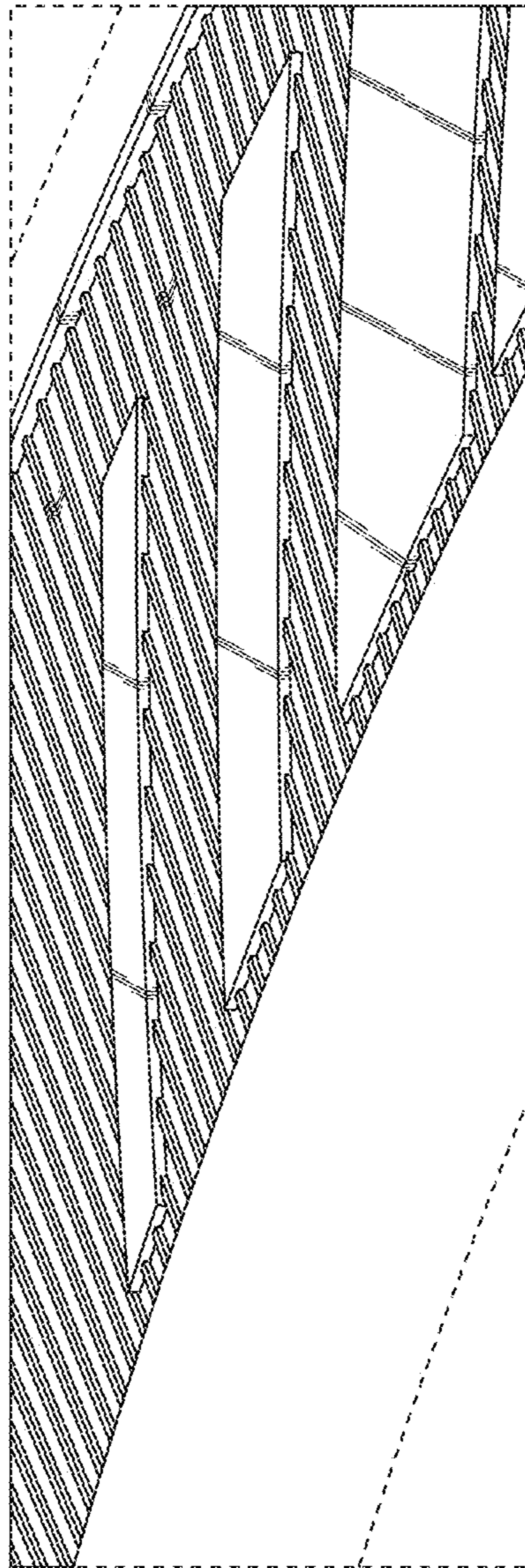


FIG. 9

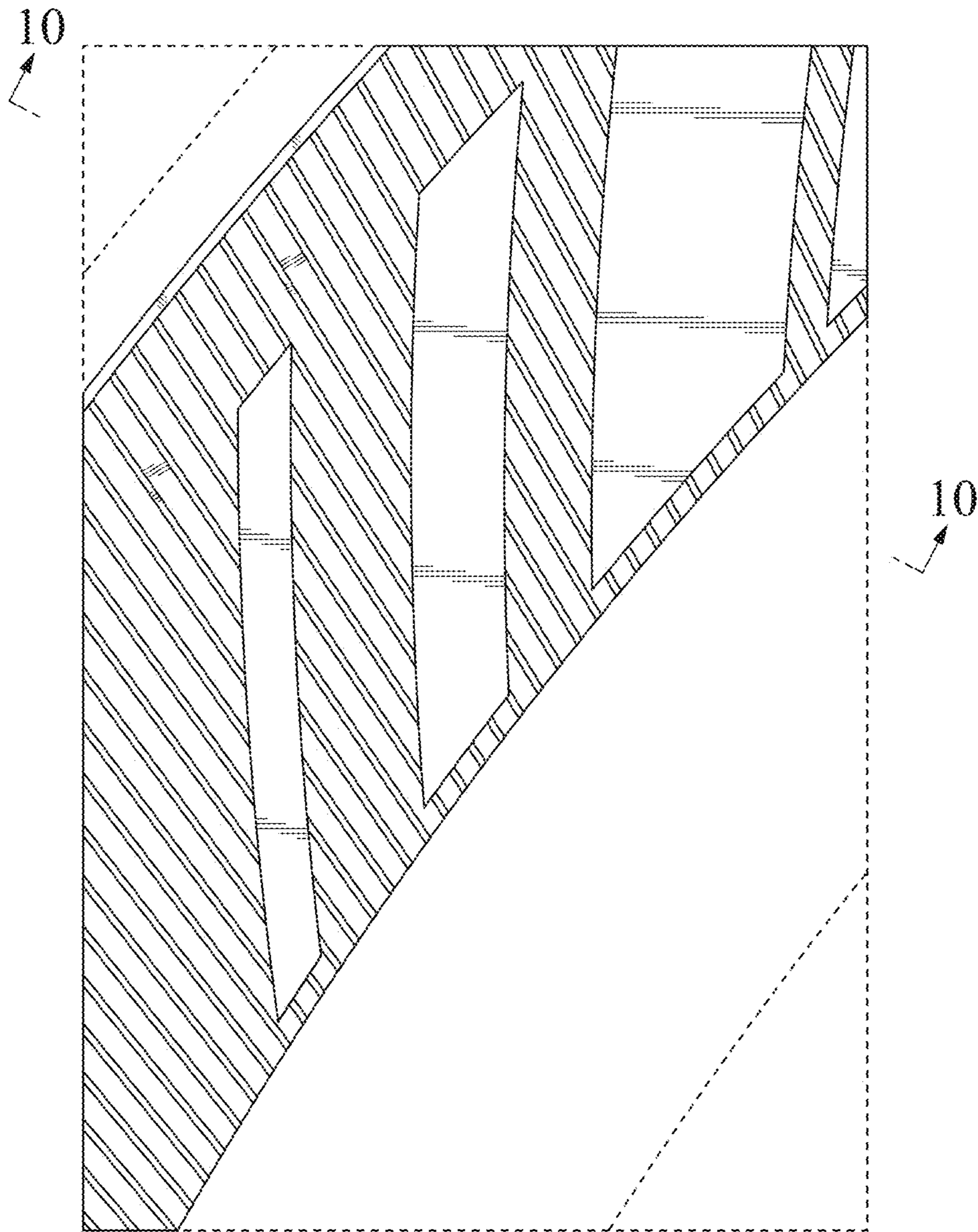


FIG. 10

