



US00D928696S

(12) **United States Design Patent** (10) **Patent No.:** **US D928,696 S**
Kang et al. (45) **Date of Patent:** **** Aug. 24, 2021**

(54) **AUTOMOBILE**
(71) Applicant: **LG Electronics Inc.**, Seoul (KR)
(72) Inventors: **Seungmo Kang**, Seoul (KR); **Romain Diboine**, Seoul (KR); **Juneho Song**, Seoul (KR); **Sewon Chun**, Seoul (KR)
(73) Assignee: **LG ELECTRONICS INC.**, Seoul (KR)

5,232,262 A * 8/1993 Tseng A47C 7/62
297/188.17
D380,190 S * 6/1997 Slayter D12/425
D385,847 S * 11/1997 Ma D12/415
D415,995 S * 11/1999 Kanehl, Jr. D12/416
6,036,152 A * 3/2000 Hiscox B60N 3/102
224/281
D575,546 S * 8/2008 Tsay D14/457
D593,930 S * 6/2009 Fossett B64D 11/0638
D12/420

(Continued)

(**) Term: **15 Years**
(21) Appl. No.: **35/509,232**
(22) Filed: **Oct. 16, 2019**

Primary Examiner — George D. Kirschbaum
Assistant Examiner — Joseph J Kukella
(74) *Attorney, Agent, or Firm* — Birch, Stewart, Kolasch & Birch, LLP

(80) **Hague Agreement Data**
Int. Filing Date: **Oct. 16, 2019**
Int. Reg. No.: **DM/207544**
Int. Reg. Date: **Oct. 16, 2019**
Int. Reg. Pub. Date: **May 1, 2020**

(57) **CLAIM**

The ornamental design for an automobile, as shown and described.

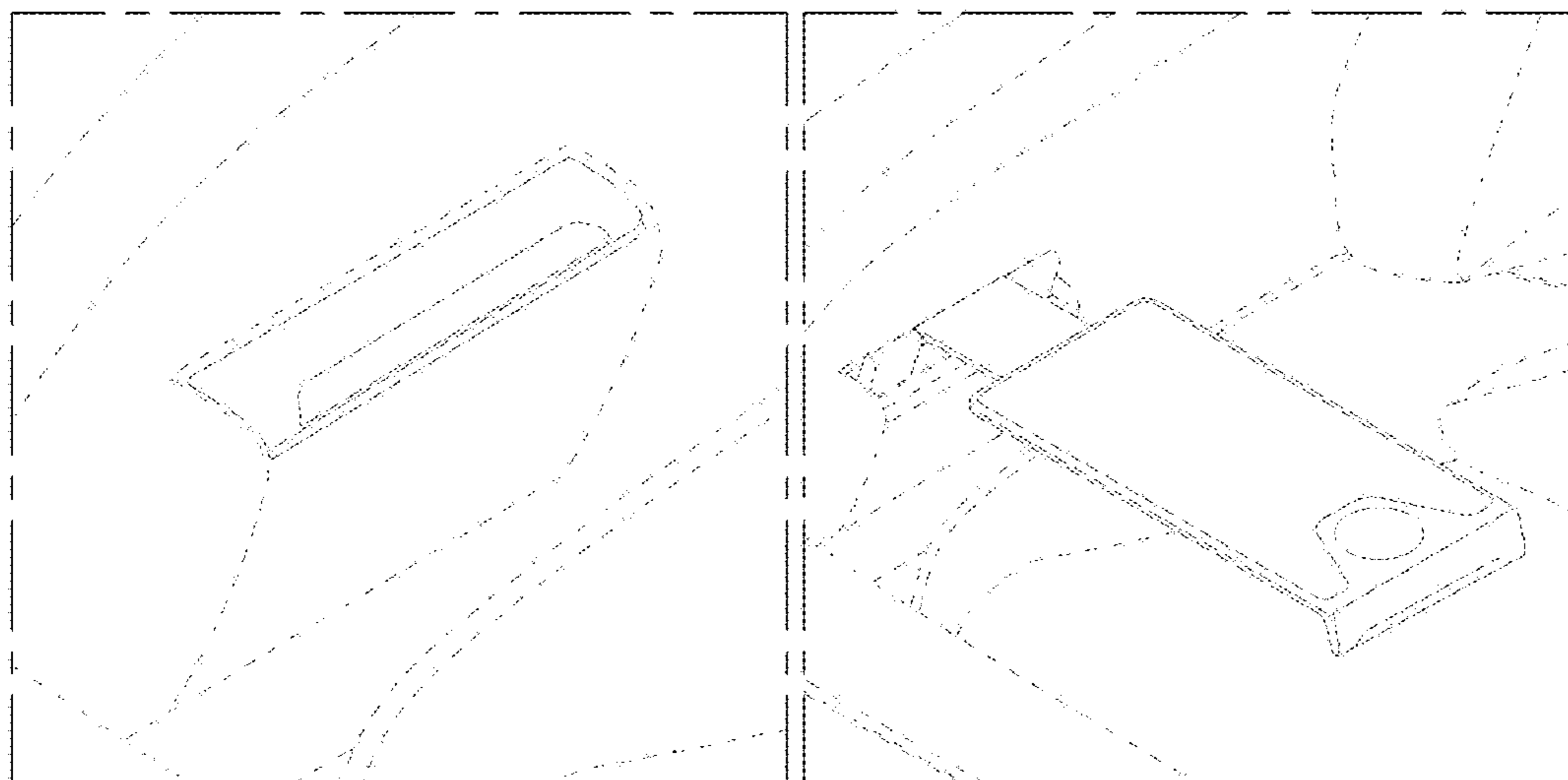
(30) **Foreign Application Priority Data**
Apr. 16, 2019 (KR) 30-2019-0017871
(51) **LOC (13) Cl.** **12-08**
(52) **U.S. Cl.**
USPC **D12/421**
(58) **Field of Classification Search**
USPC D12/415–426.1
CPC B60R 2011/0007; B60R 2011/0014; B60R 2011/0021; B60N 3/001; B60N 3/002; B60N 3/007
See application file for complete search history.

DESCRIPTION

1. Automobile
Fig. 1.1 is a front perspective view of the automobile;
Fig. 1.2 is a front view thereof;
Fig. 1.3 is a back view thereof;
Fig. 1.4 is a left view thereof where the right view is a mirror image
Fig. 1.5 is a top view thereof;
Fig. 1.6 is an enlarged view of Fig. 1.1;
Fig. 1.7 is an enlarged view of Fig. 1.5;
Fig. 1.8 is a front perspective view;
Fig. 1.9 is a top view;
Fig. 1.10 is an enlarged view of Fig. 1.8;
Fig. 1.11 is an enlarged view of Fig. 1.9.
The front, back, and left views of Fig. 1.8 have been omitted since they are the same as Figs. 1.2 to 1.4, respectively; the right view has been omitted as it is a mirror image of that shown in Fig. 1.4.
The broken lines depict portions of the automobile that form no part of the claimed design.

(56) **References Cited**
U.S. PATENT DOCUMENTS
4,417,764 A * 11/1983 Marcus B60N 2/793
297/188.17
4,738,423 A * 4/1988 DiFilippo B60N 3/102
248/240.1

1 Claim, 11 Drawing Sheets



(56)

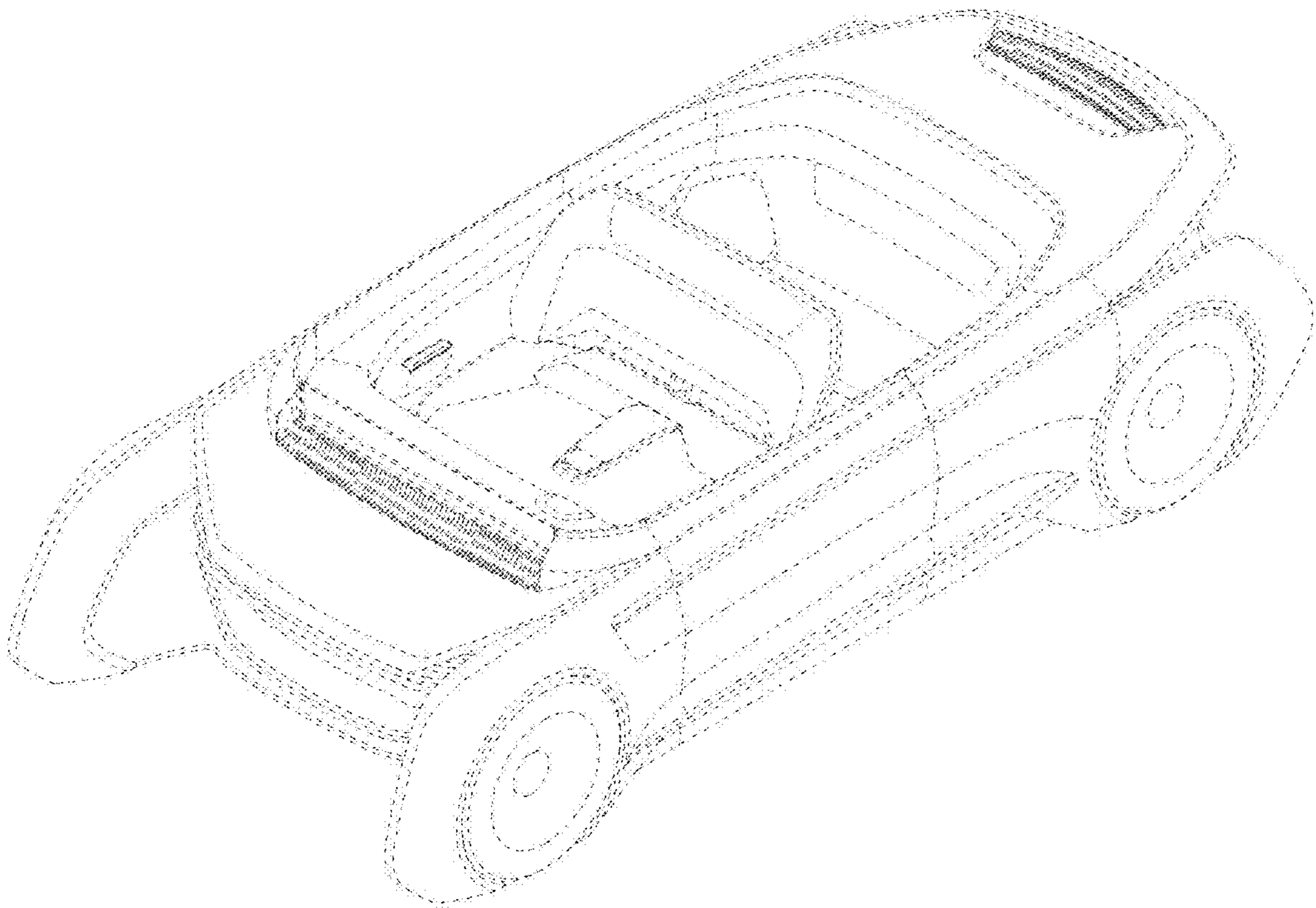
References Cited

U.S. PATENT DOCUMENTS

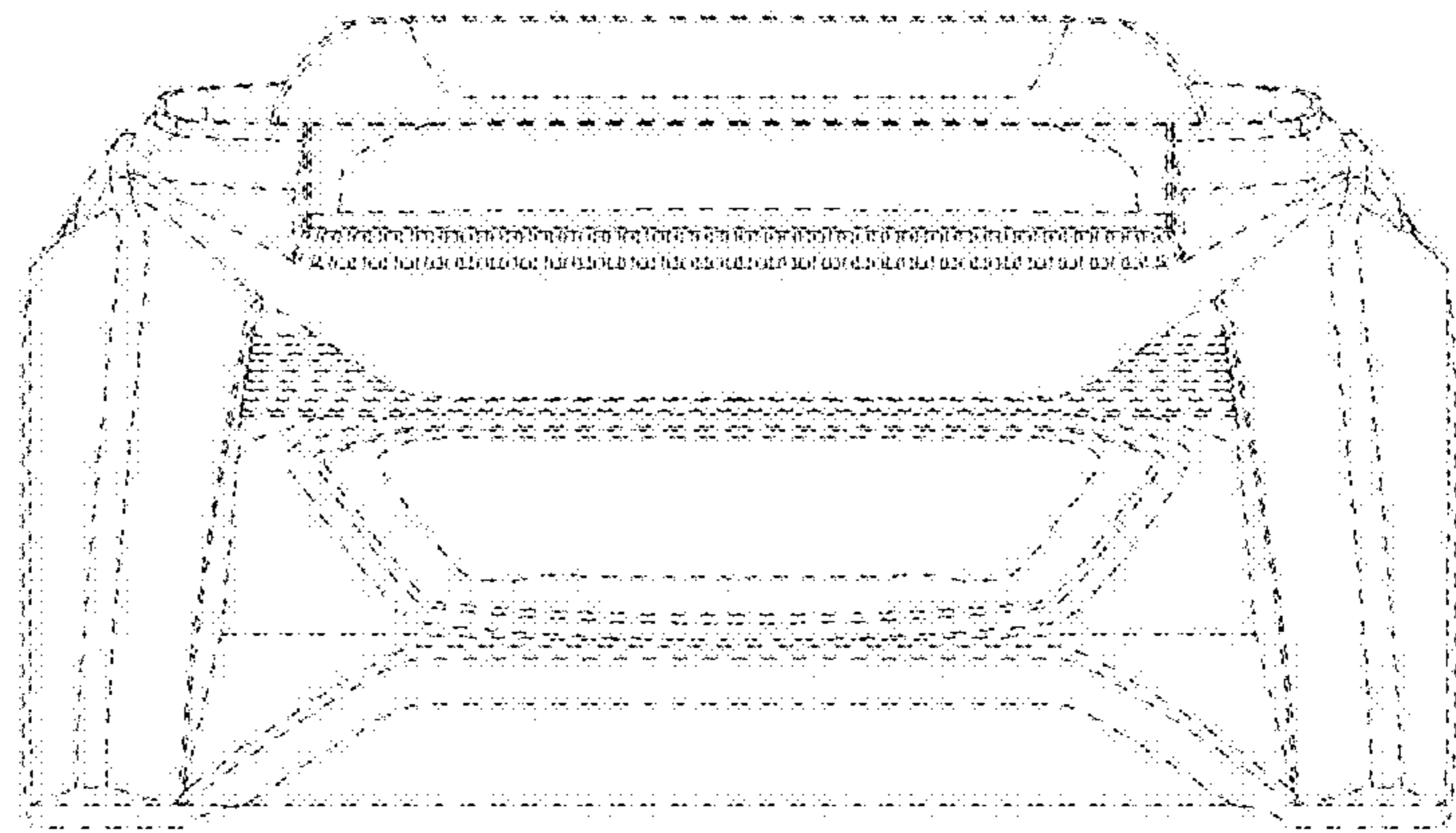
7,963,231 B2 * 6/2011 Osborne B64D 11/0638
108/40
D753,578 S * 4/2016 Barnes B60N 3/102
D12/426.1
D801,256 S * 10/2017 Kasparian B60N 2/793
D12/425
D845,875 S * 4/2019 Bookman A47B 5/006
D12/416
D913,174 S * 3/2021 Kim D12/192
2015/0282608 A1 * 10/2015 Sakanoue A47B 5/006
108/42

* cited by examiner

1.1



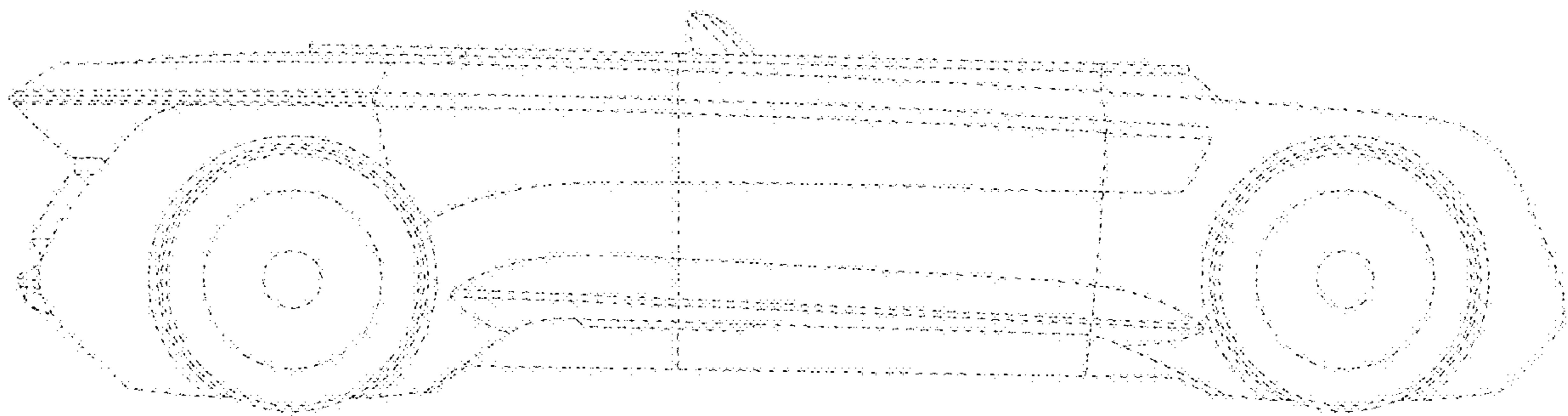
1.2



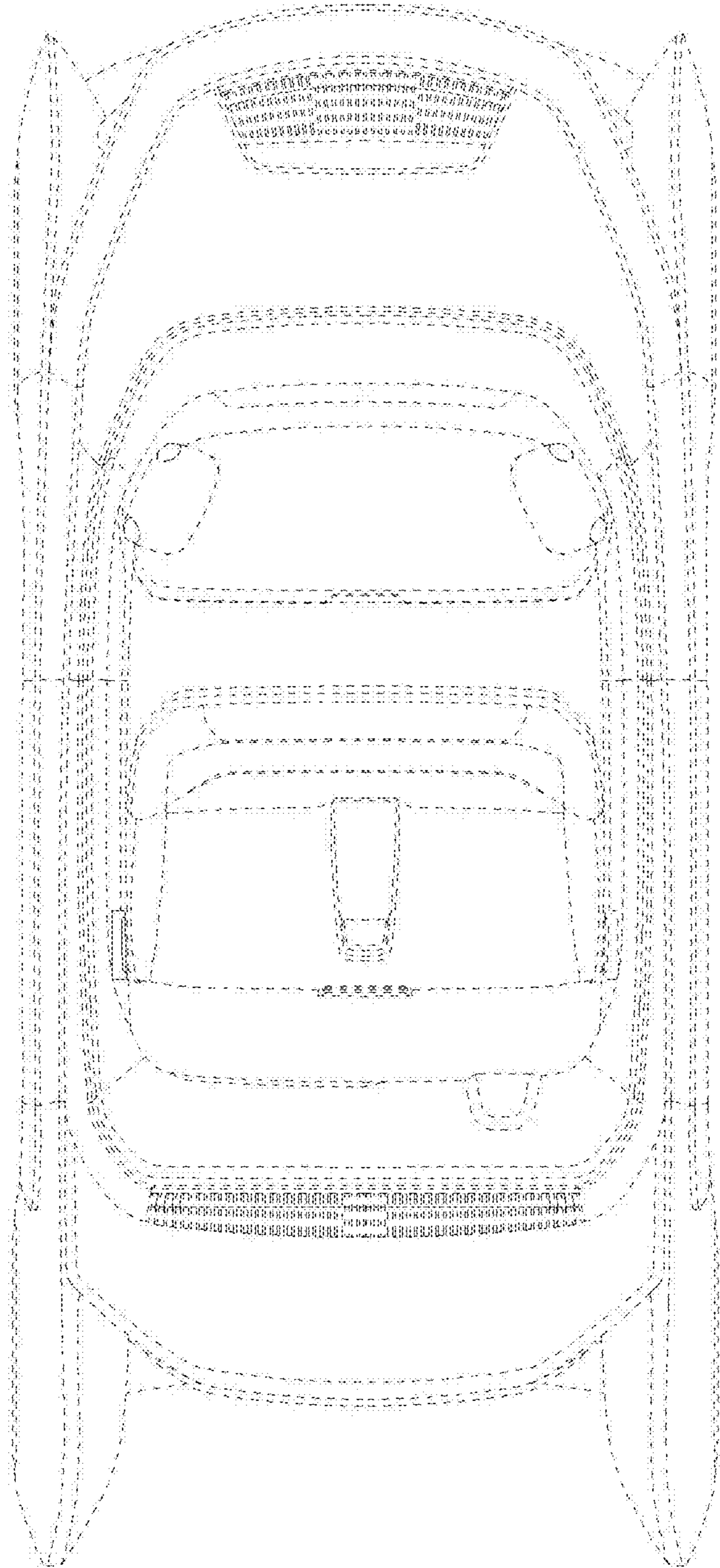
1.3



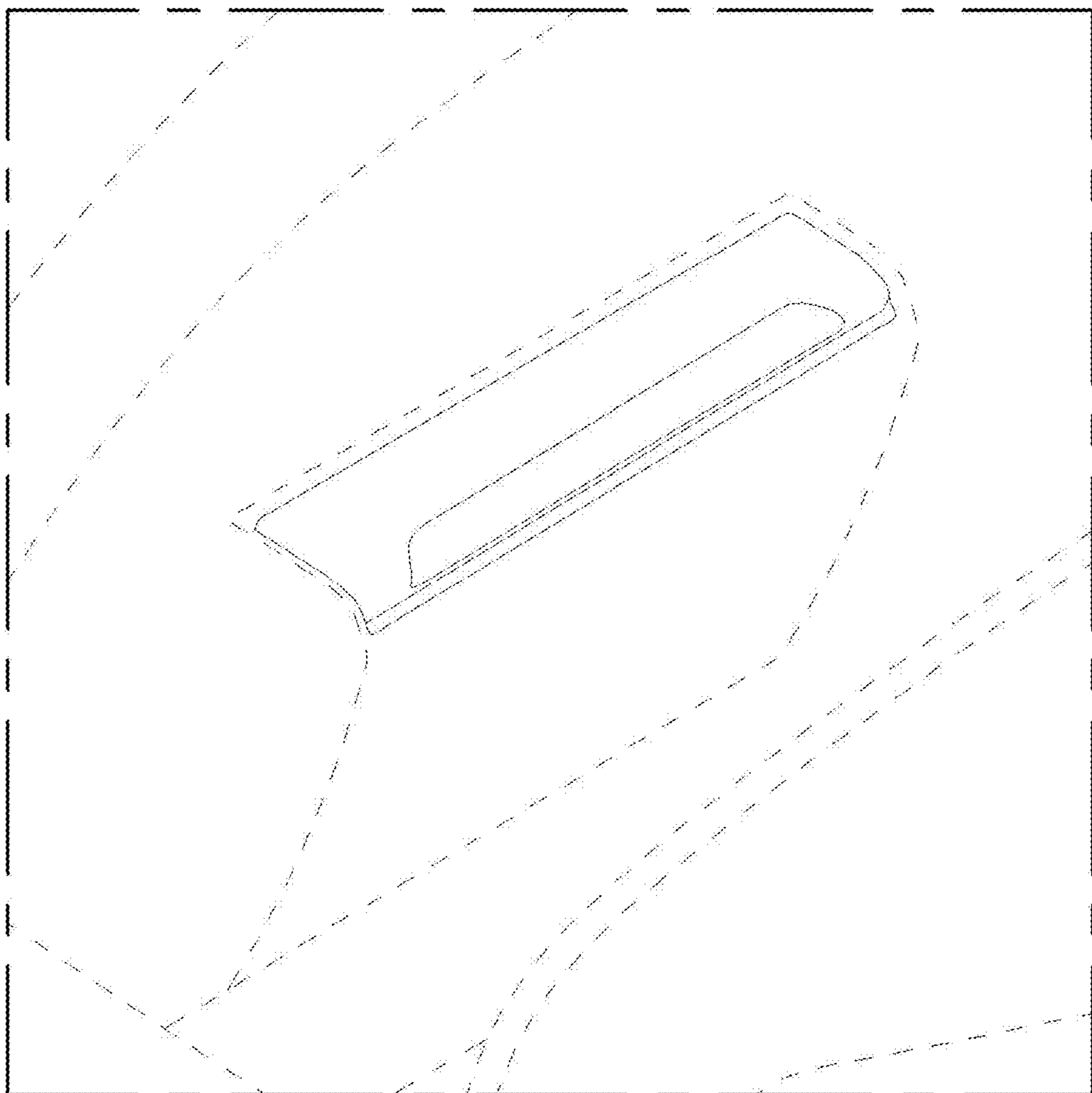
1.4



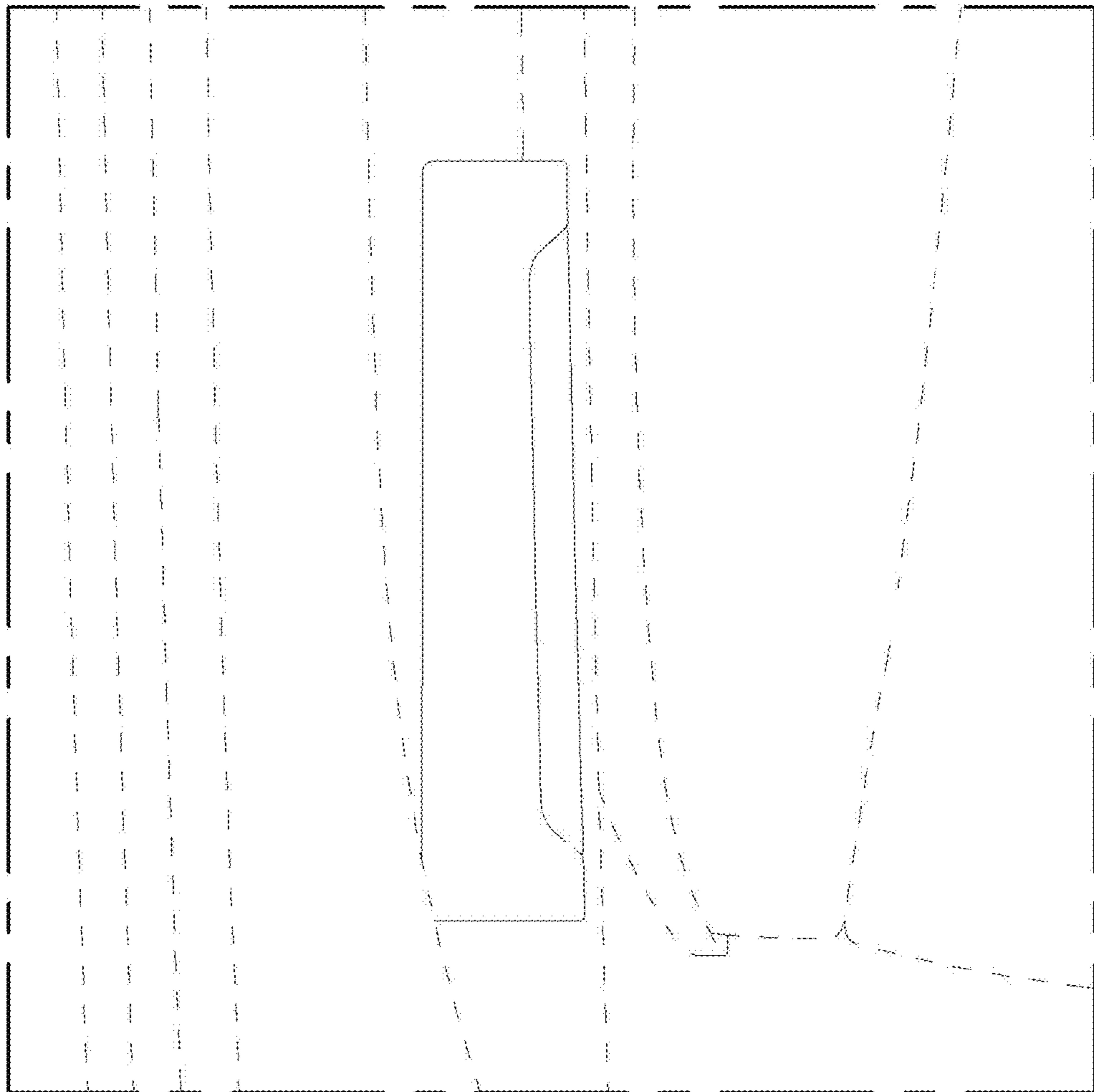
1.5



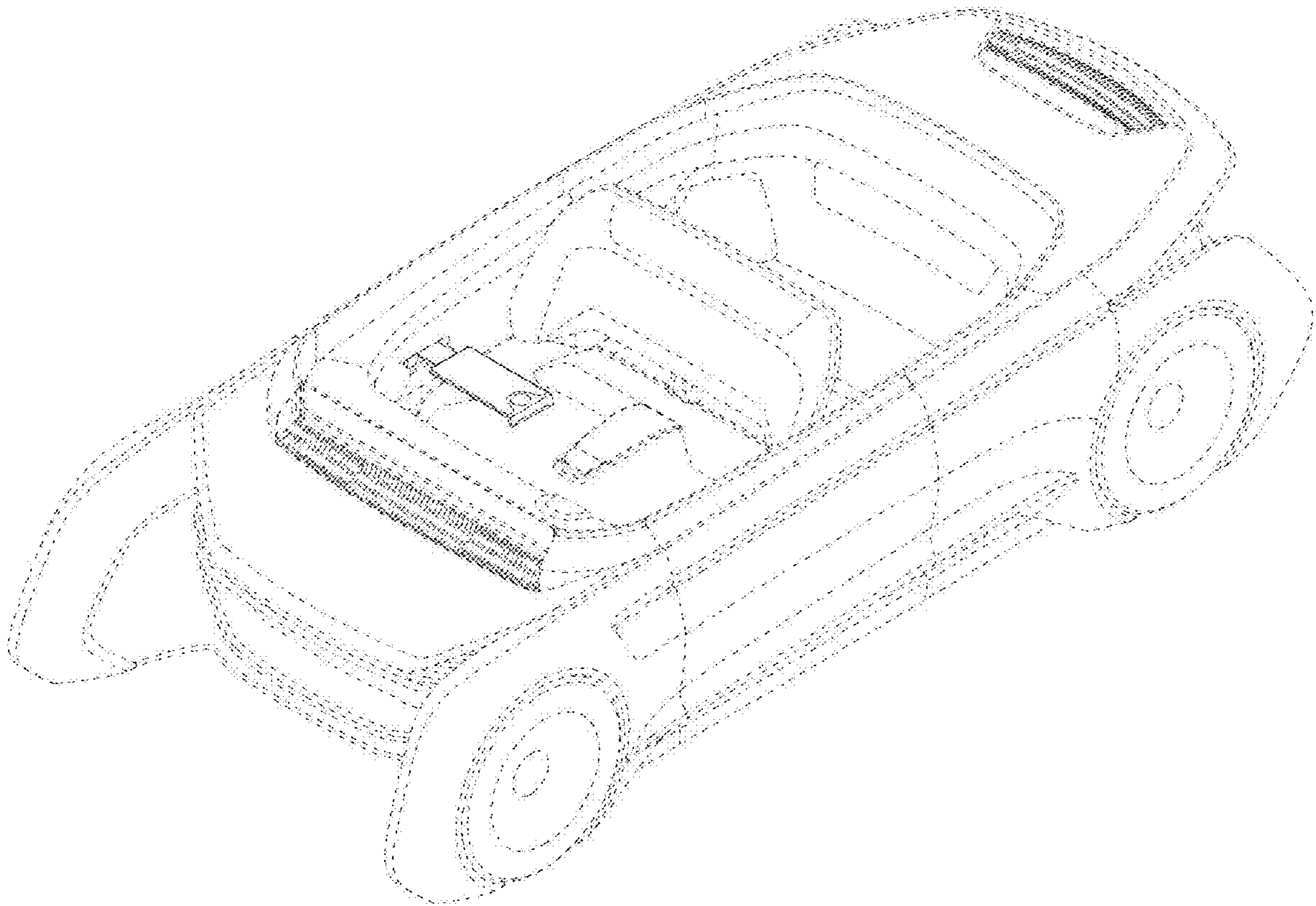
1.6



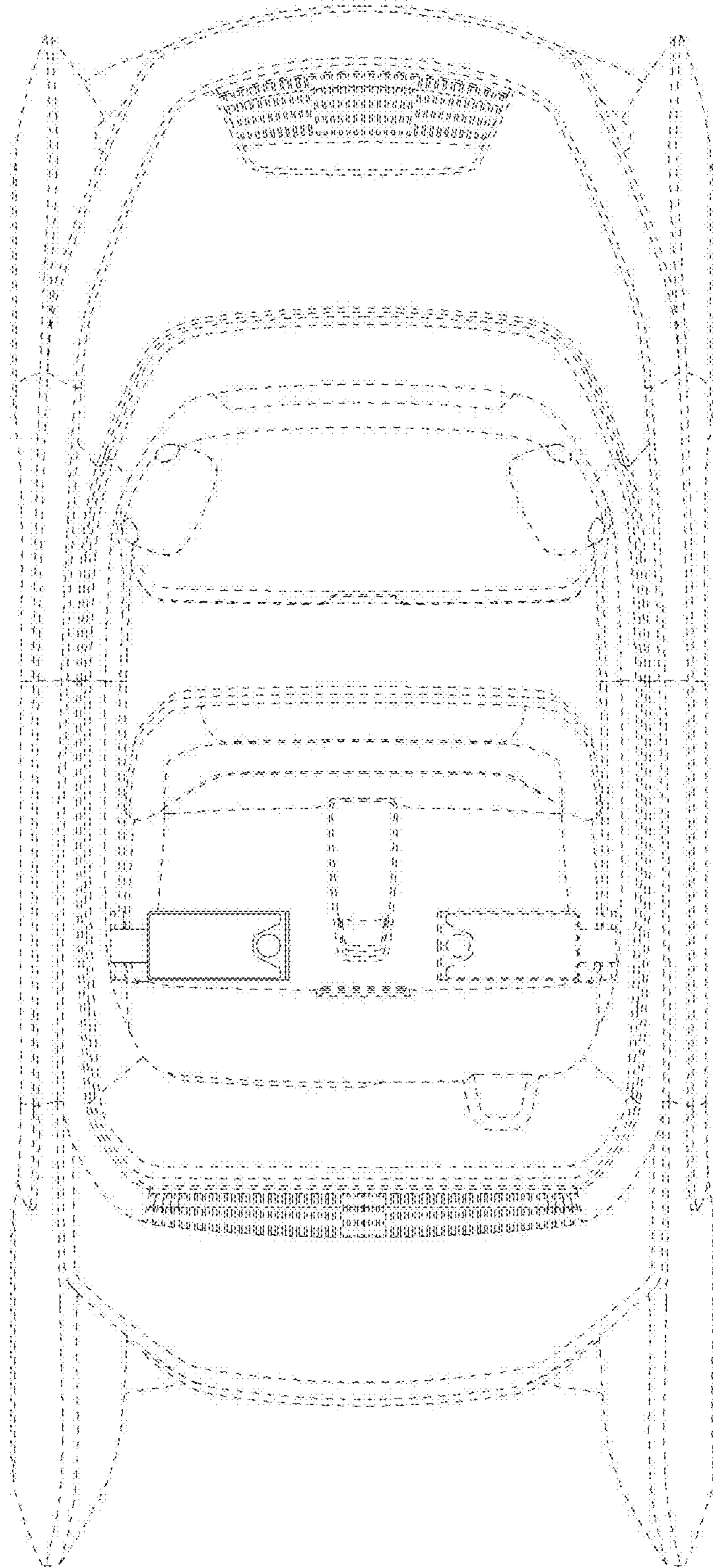
1.7



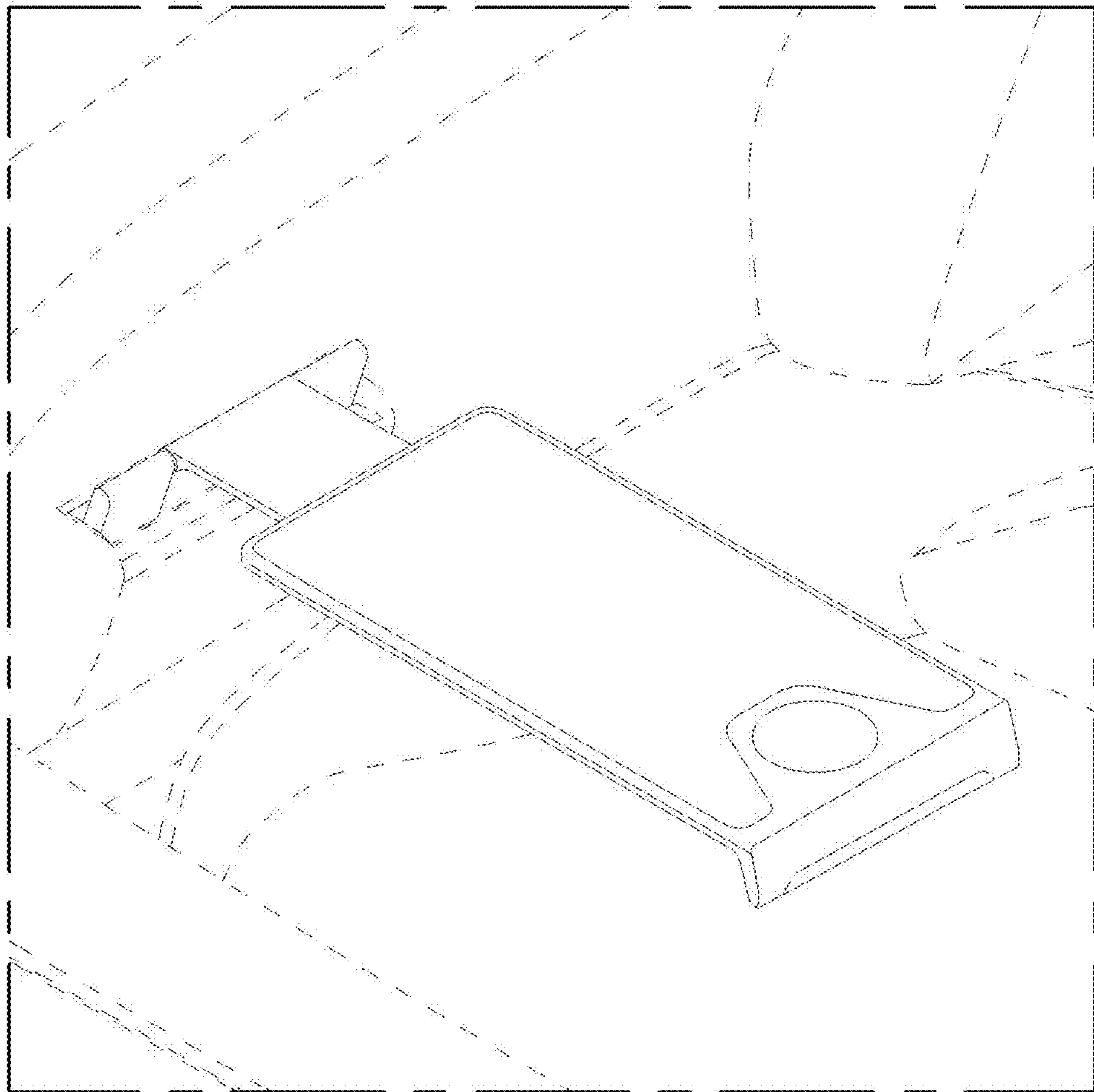
1.8



1.9



1.10



1.11

