



US00D928695S

(12) **United States Design Patent**
Inagaki et al.

(10) **Patent No.:** **US D928,695 S**

(45) **Date of Patent:** **** Aug. 24, 2021**

(54) **CONSOLE**

(71) Applicant: **HONDA MOTOR CO., LTD.**, Tokyo
(JP)

(72) Inventors: **Toru Inagaki**, Rancho Palos Verdes,
CA (US); **Eric Ma**, London (GB)

(73) Assignee: **HONDA MOTOR CO., LTD.**, Tokyo
(JP)

(**) Term: **15 Years**

(21) Appl. No.: **29/700,226**

(22) Filed: **Jul. 31, 2019**

(51) **LOC (13) Cl.** **12-16**

(52) **U.S. Cl.**
USPC **D12/415**

(58) **Field of Classification Search**
USPC D12/415-420, 400, 195, 191, 106, 345,
D12/96, 99, 192, 190, 110, 114;
D14/157, 485, 489, 492, 488, 490, 210,
D14/224.1, 258, 315; 296/24.3, 37.12,
296/97.1, 37.18; D10/12-127, 192;
D21/477; 362/492
CPC B60R 7/04; B60R 7/06; B60R 7/08; B60R
21/045; B60R 2300/305; B60K 37/00;
B60K 37/02; B60K 37/04; B60K 37/06
See application file for complete search history.

(56) **References Cited**

U.S. PATENT DOCUMENTS

D673,496 S * 1/2013 Kikuta D12/415
D836,059 S * 12/2018 Takagi D12/415

D836,060 S * 12/2018 Takagi D12/415
D876,318 S * 2/2020 Ray D12/415
D880,402 S * 4/2020 Ray D12/415

* cited by examiner

Primary Examiner — Abraham Bahta

(74) *Attorney, Agent, or Firm* — Arent Fox LLP

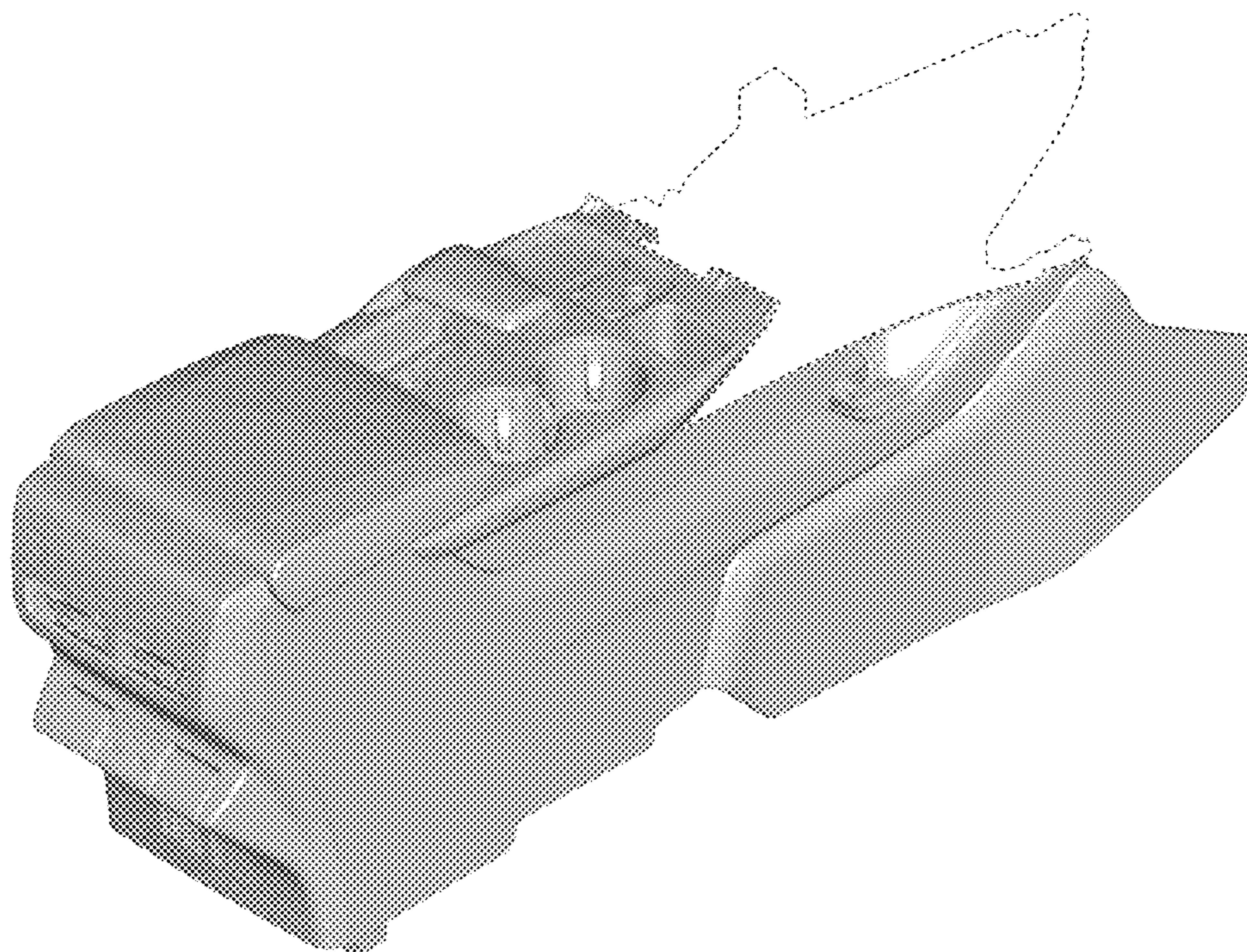
(57) **CLAIM**

The ornamental design for a console, as shown and described.

DESCRIPTION

FIG. 1 is a front right perspective view of a console showing our new design;
FIG. 2 is a front left perspective view of the design shown in FIG. 1;
FIG. 3 is a rear left perspective view of the design shown in FIG. 1;
FIG. 4 is a rear right perspective view of the design shown in FIG. 1;
FIG. 5 is a front view of the design shown in FIG. 1;
FIG. 6 is a rear view of the design shown in FIG. 1;
FIG. 7 is a left side view of the design shown in FIG. 1;
FIG. 8 is a right side view of the design shown in FIG. 1;
FIG. 9 is a top view of the design shown in FIG. 1; and,
FIG. 10 is a bottom view of the design shown in FIG. 1.
The broken lines shown in the figures are included for the purpose of illustrating portions of the console and form no part of the claimed design.

1 Claim, 10 Drawing Sheets



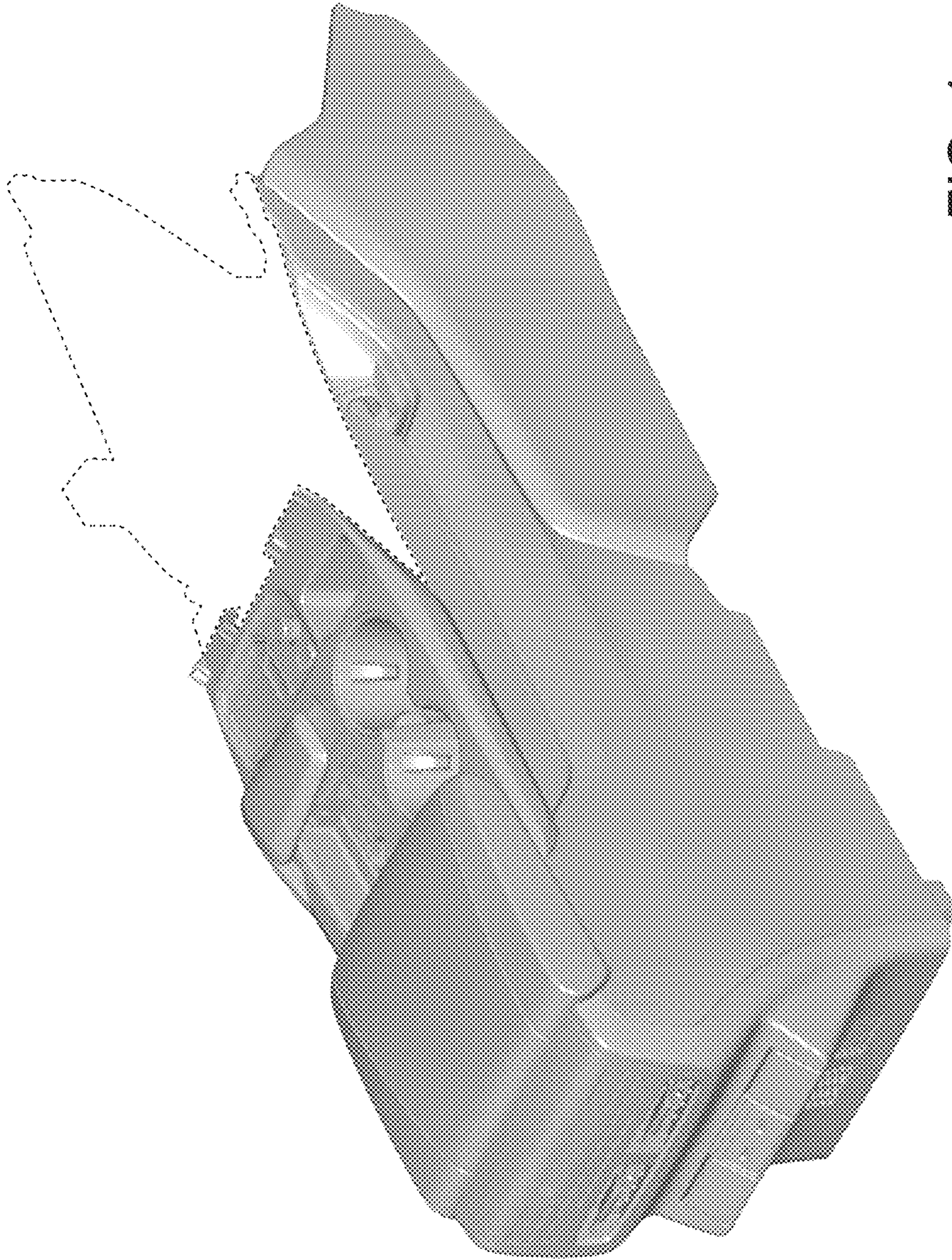


FIG. 1

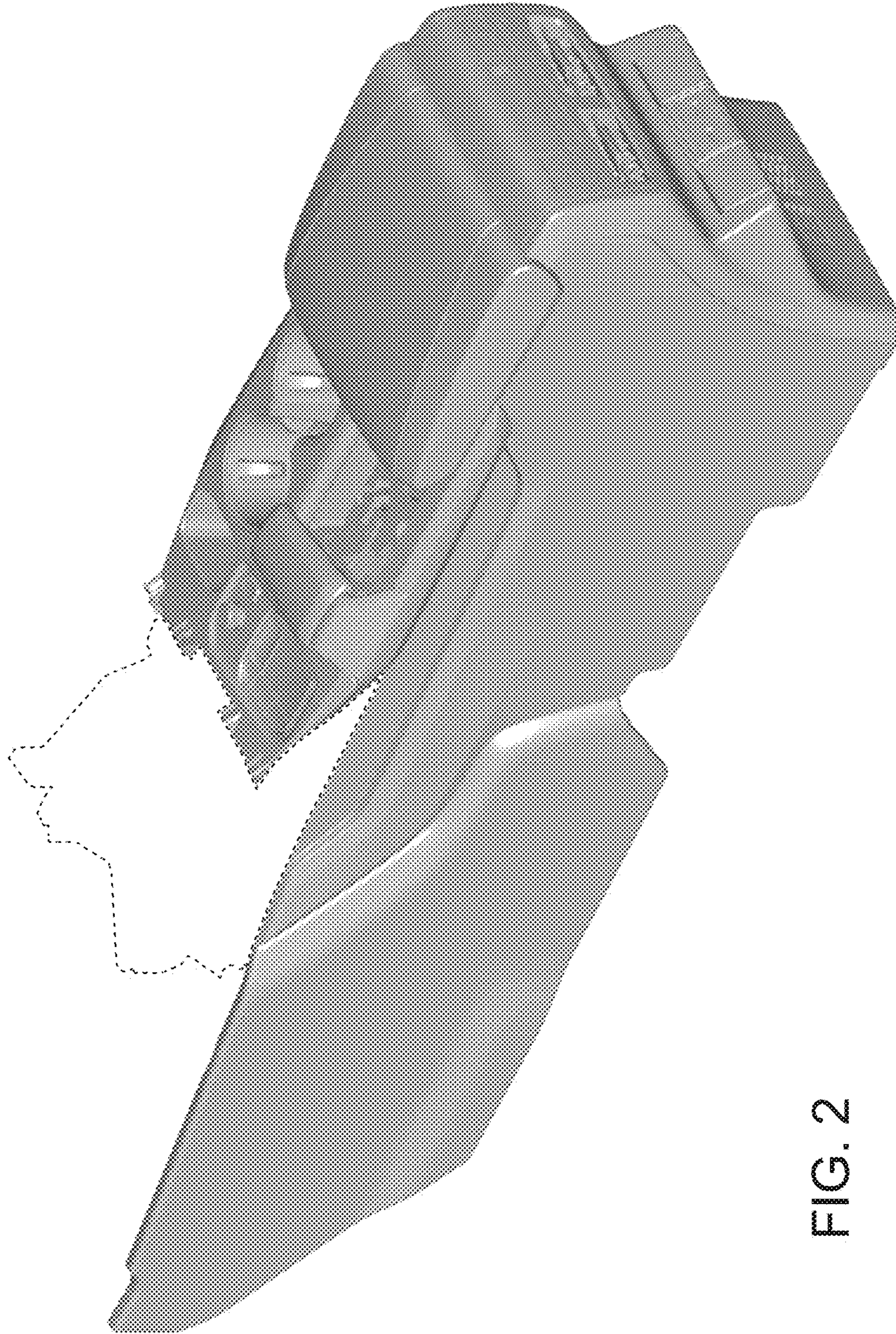


FIG. 2

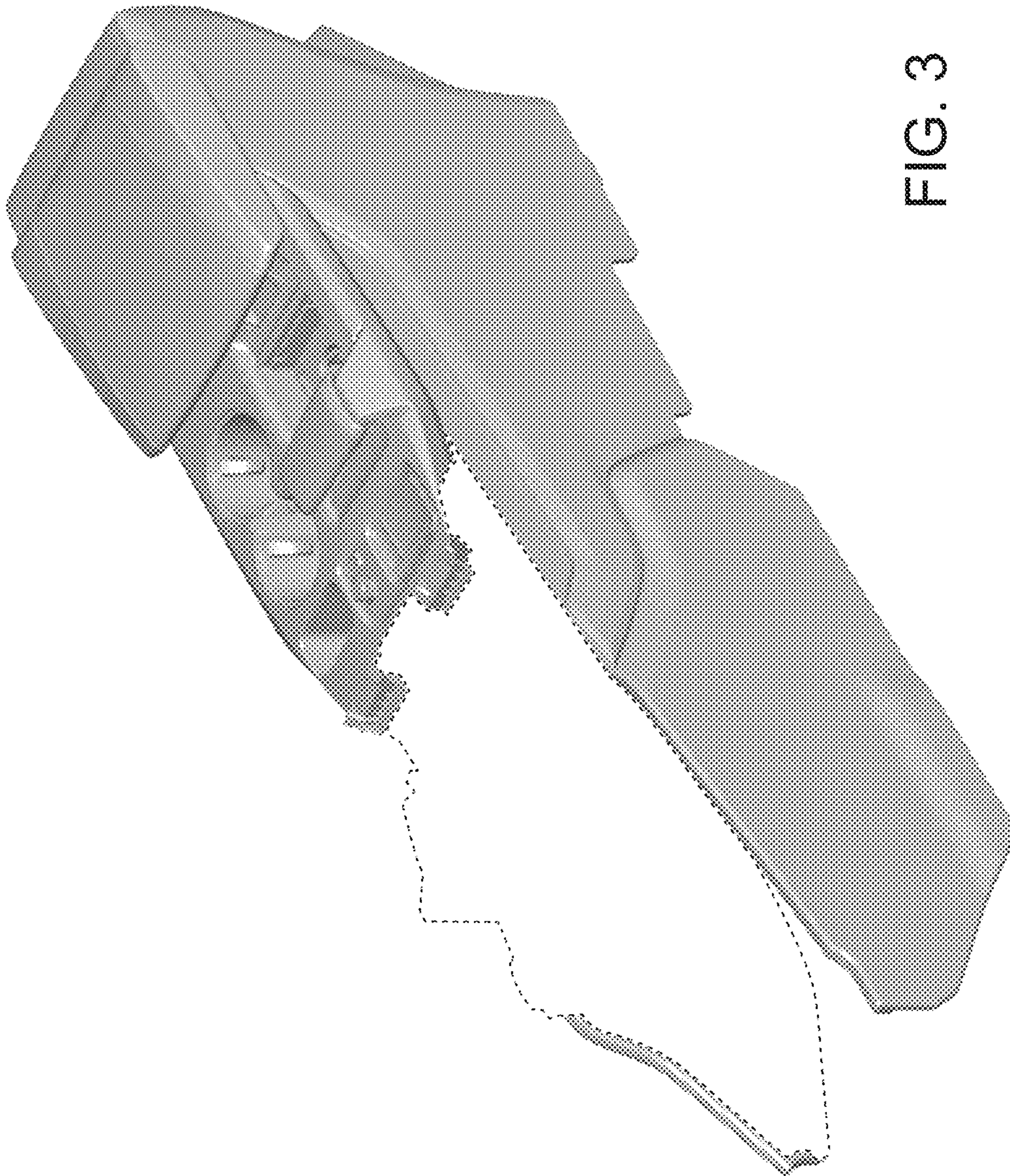


FIG. 3

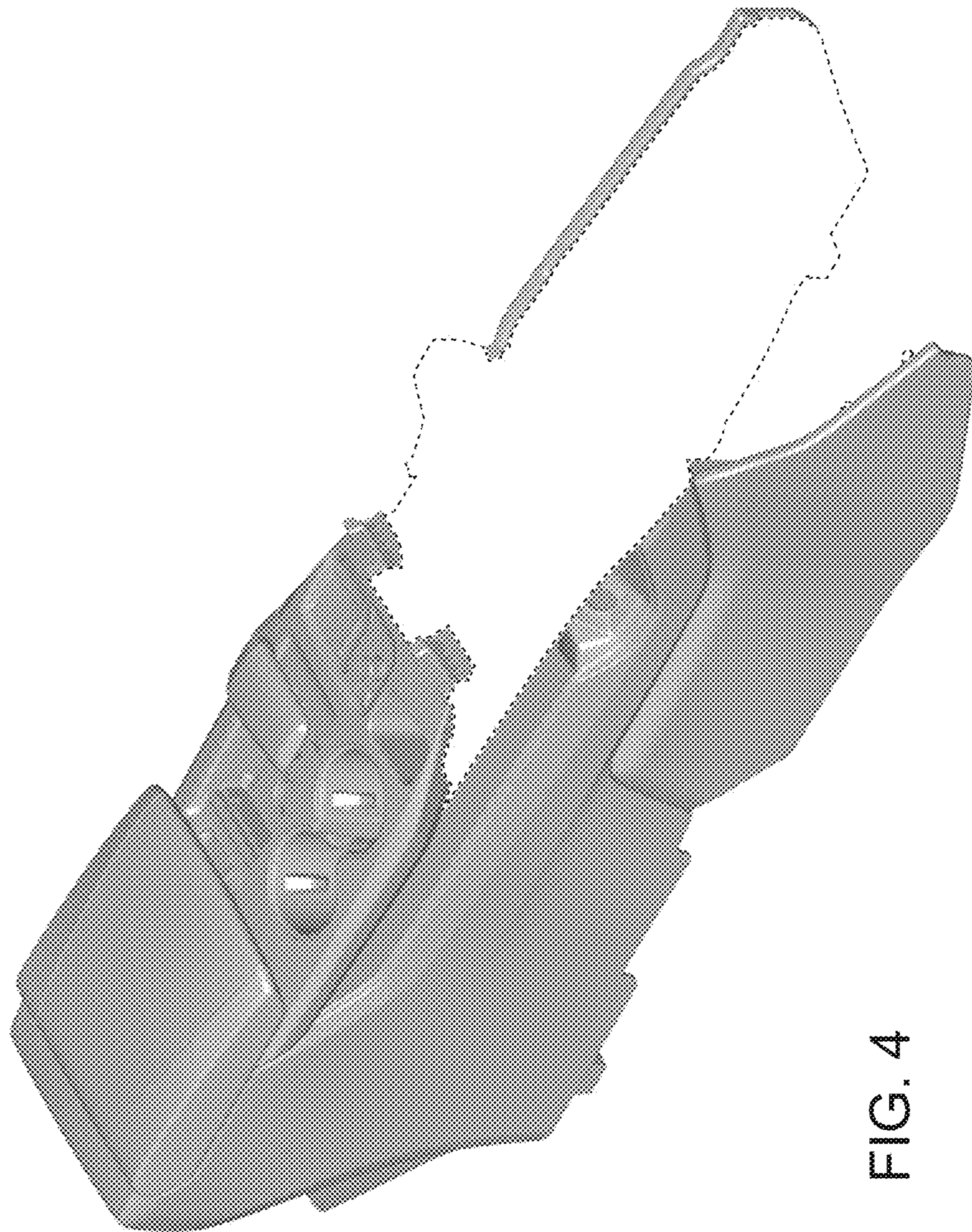


FIG. 4

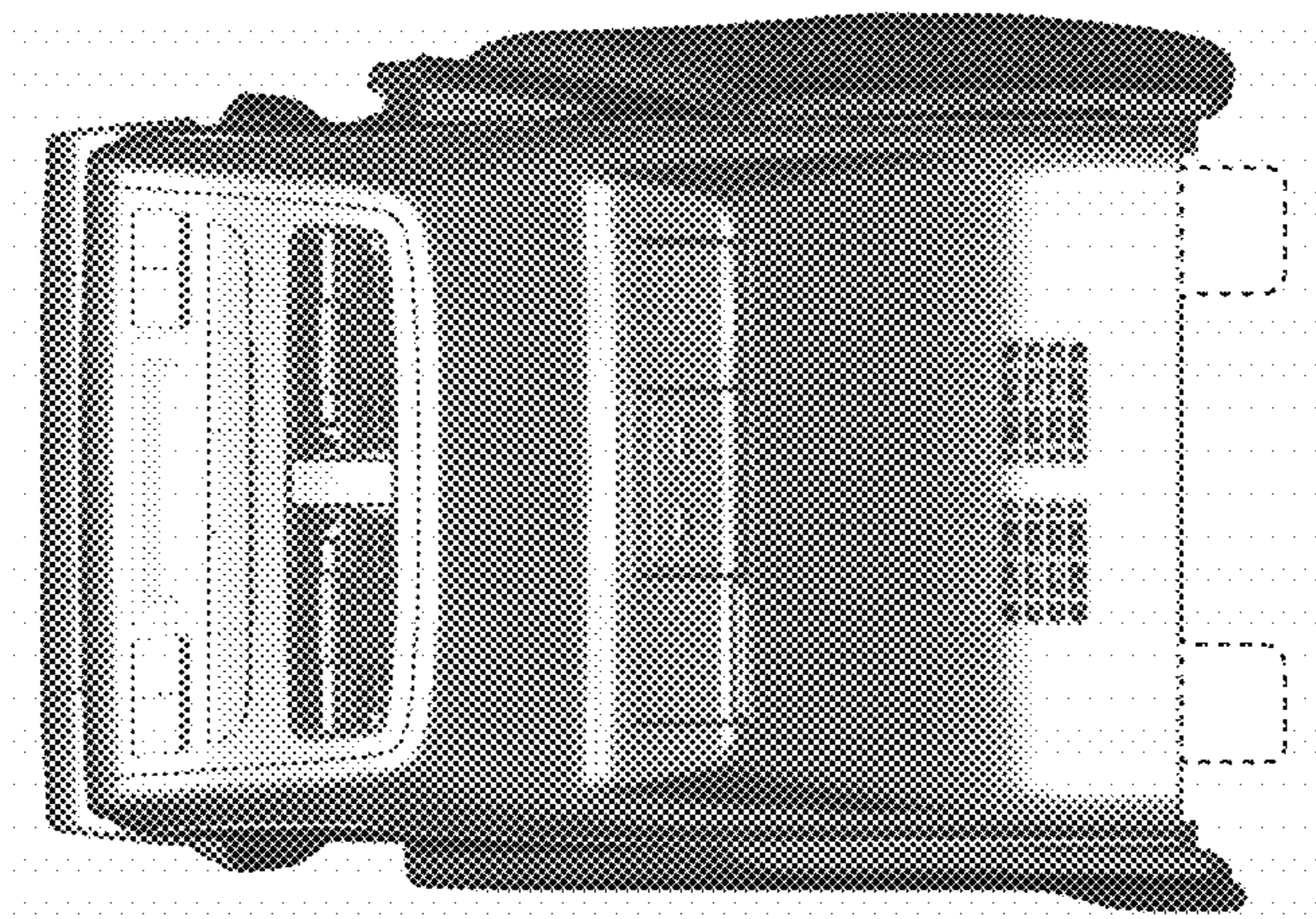


FIG. 5

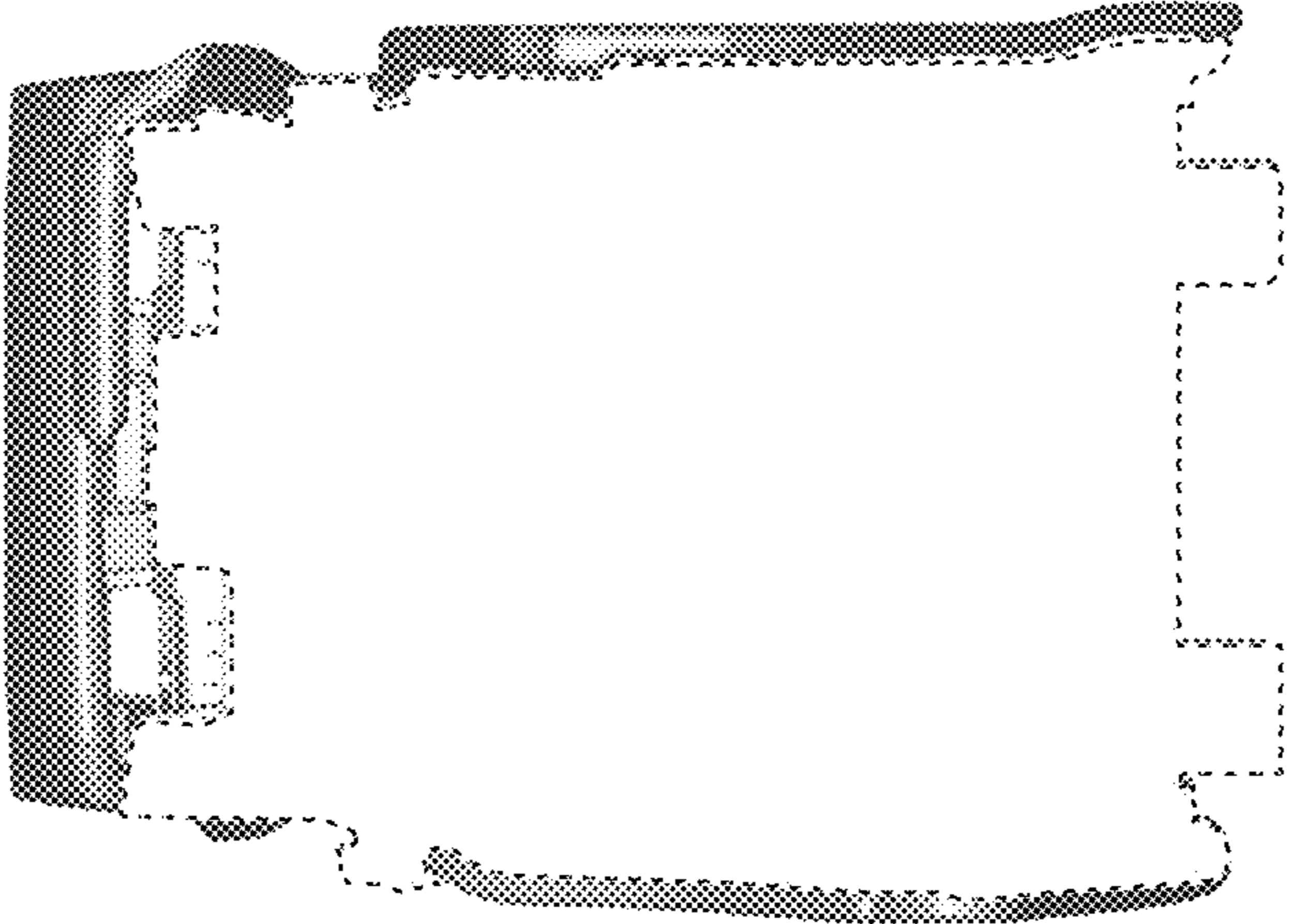


FIG. 6

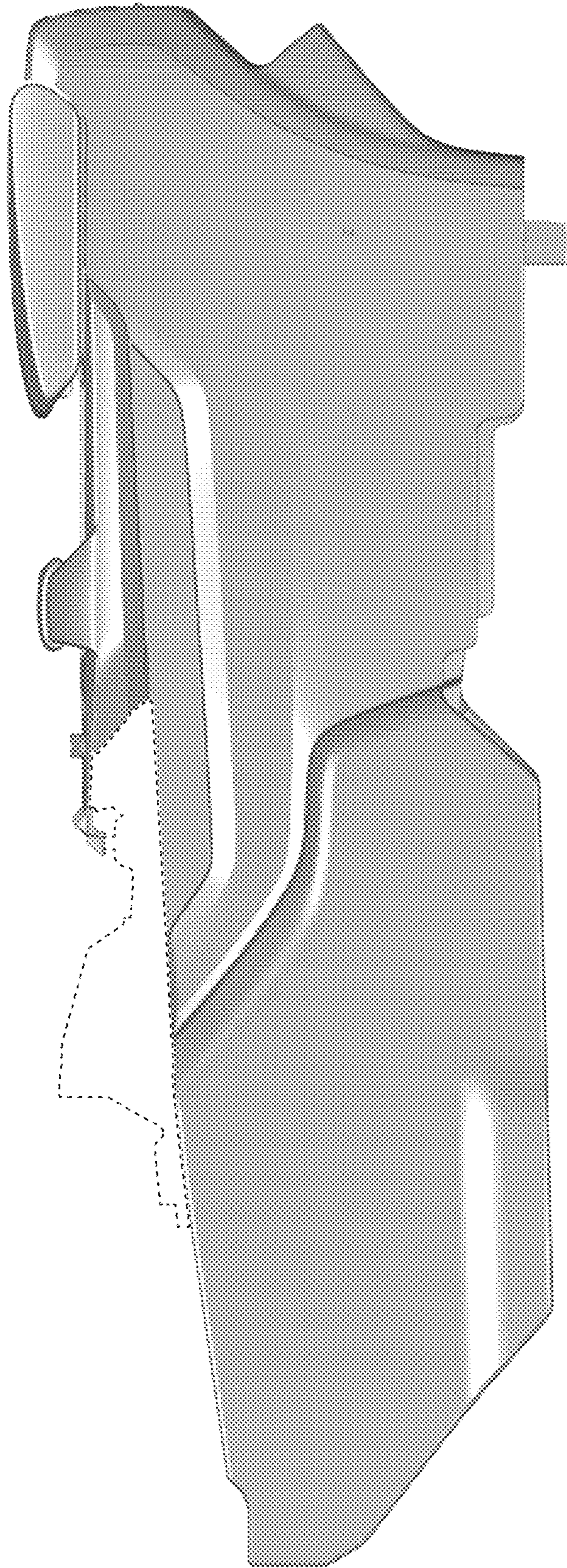


FIG. 7

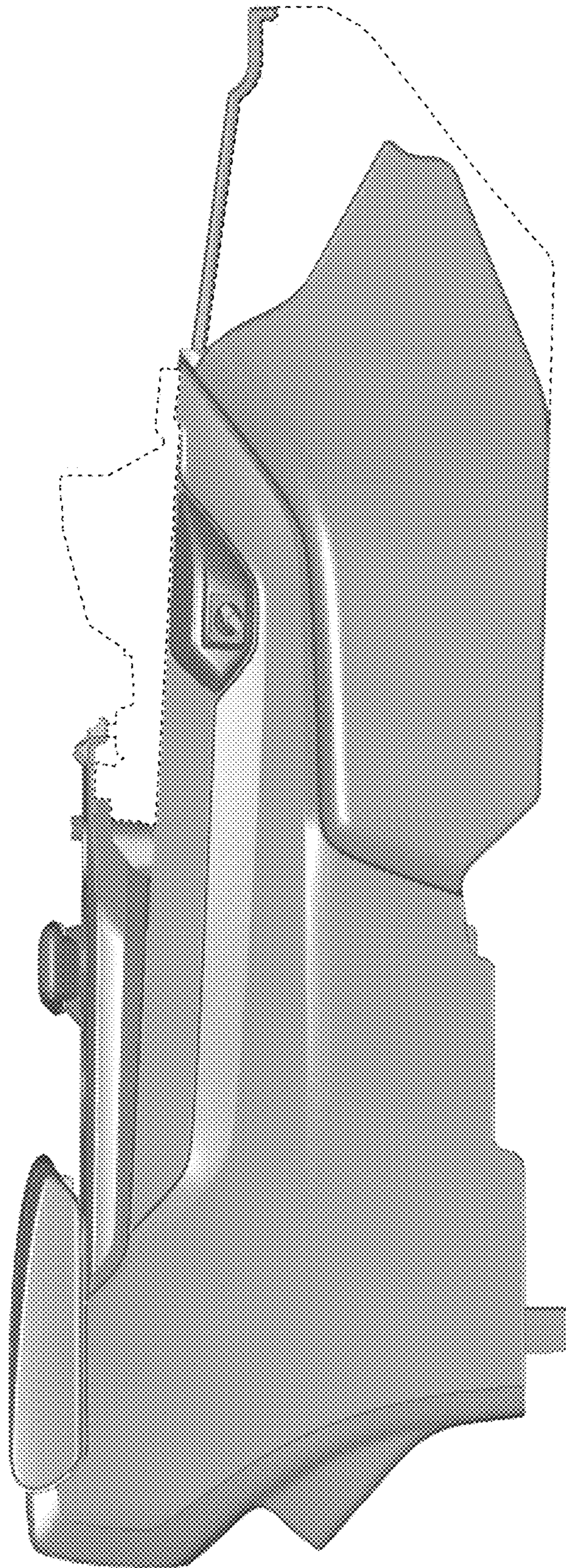


FIG. 8

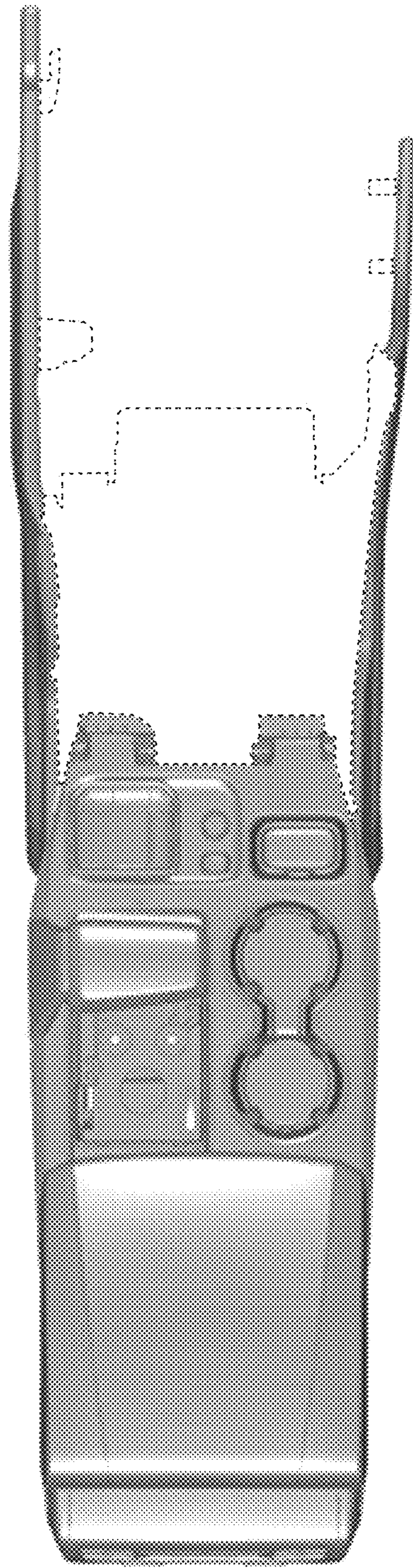


FIG. 9

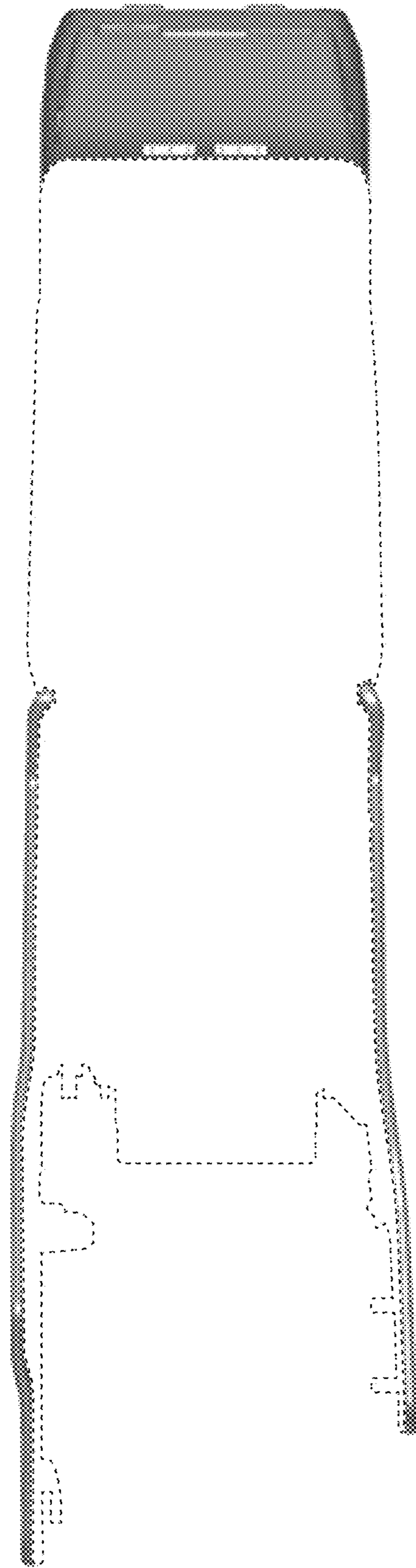


FIG. 10