



US00D928694S

(12) **United States Design Patent**
Steinberg

(10) **Patent No.:** **US D928,694 S**

(45) **Date of Patent:** **** Aug. 24, 2021**

- (54) **VEHICLE TOP**
- (71) Applicant: **Ron Steinberg**, Las Vegas, NV (US)
- (72) Inventor: **Ron Steinberg**, Las Vegas, NV (US)
- (**) Term: **15 Years**
- (21) Appl. No.: **29/622,504**
- (22) Filed: **Oct. 17, 2017**
- (51) **LOC (13) Cl.** **12-16**
- (52) **U.S. Cl.**
USPC **D12/404**
CPC **B62D 33/0617** (2013.01)
- (58) **Field of Classification Search**
USPC D12/401-405; D6/610, 611, 596, 601,
D6/602, 603, 615, 617, 621; D7/332,
D7/334-337
CPC . B60J 1/20; B60J 1/2011; B60J 1/2075; B60J
3/0204; B60J 3/0286; B62D 33/0617
See application file for complete search history.

- 5,725,273 A * 3/1998 Vernon B60J 7/11
224/315
- D408,781 S * 4/1999 Gordon D12/401
- 6,003,936 A * 12/1999 Gordon B60J 7/106
296/102
- D421,956 S * 3/2000 Aubut D12/401
- D442,911 S * 5/2001 Essig D12/404
- D474,145 S * 5/2003 Dawson D12/401
- D481,987 S * 11/2003 MacWilliam D12/401
- D537,031 S * 2/2007 Hoy D12/401
- 7,240,960 B2 * 7/2007 Fallis, III B60J 7/0053
296/107.19
- D549,638 S * 8/2007 Hughes D12/401
- D578,465 S * 10/2008 Kosaka D12/401
- D593,926 S * 6/2009 Buck D12/404
- D602,417 S * 10/2009 Connors D12/401
- 8,622,457 B1 * 1/2014 McIntire B60J 7/106
296/102
- D728,450 S * 5/2015 Yen D12/401
- D736,690 S * 8/2015 Bennett D12/401

(Continued)

Primary Examiner — Richard E Chilcot

(74) *Attorney, Agent, or Firm* — FisherBroyles, LLP; Rob L. Phillips

(56) **References Cited**

U.S. PATENT DOCUMENTS

- D257,531 S * 11/1980 Hickman D12/403
- D267,487 S * 1/1983 Ragsdale D12/405
- D268,408 S * 3/1983 Ruggles D12/403
- D272,333 S * 1/1984 Potterbaum D12/401
- D291,676 S * 9/1987 Noble D12/405
- D304,436 S * 11/1989 Pike D12/404
- 4,930,835 A * 6/1990 Bruce B60J 10/90
160/368.1
- D324,196 S * 2/1992 Muth D12/404
- D342,470 S * 12/1993 Lomax, Jr. D12/405
- D343,159 S * 1/1994 Hunter D12/181
- 5,314,225 A * 5/1994 Gordon B60J 7/106
296/10
- D356,773 S * 3/1995 Lange D12/300
- D383,710 S * 9/1997 Guichard D12/91
- D389,094 S * 1/1998 Stollery D12/91
- D391,900 S * 3/1998 Skoog D12/86

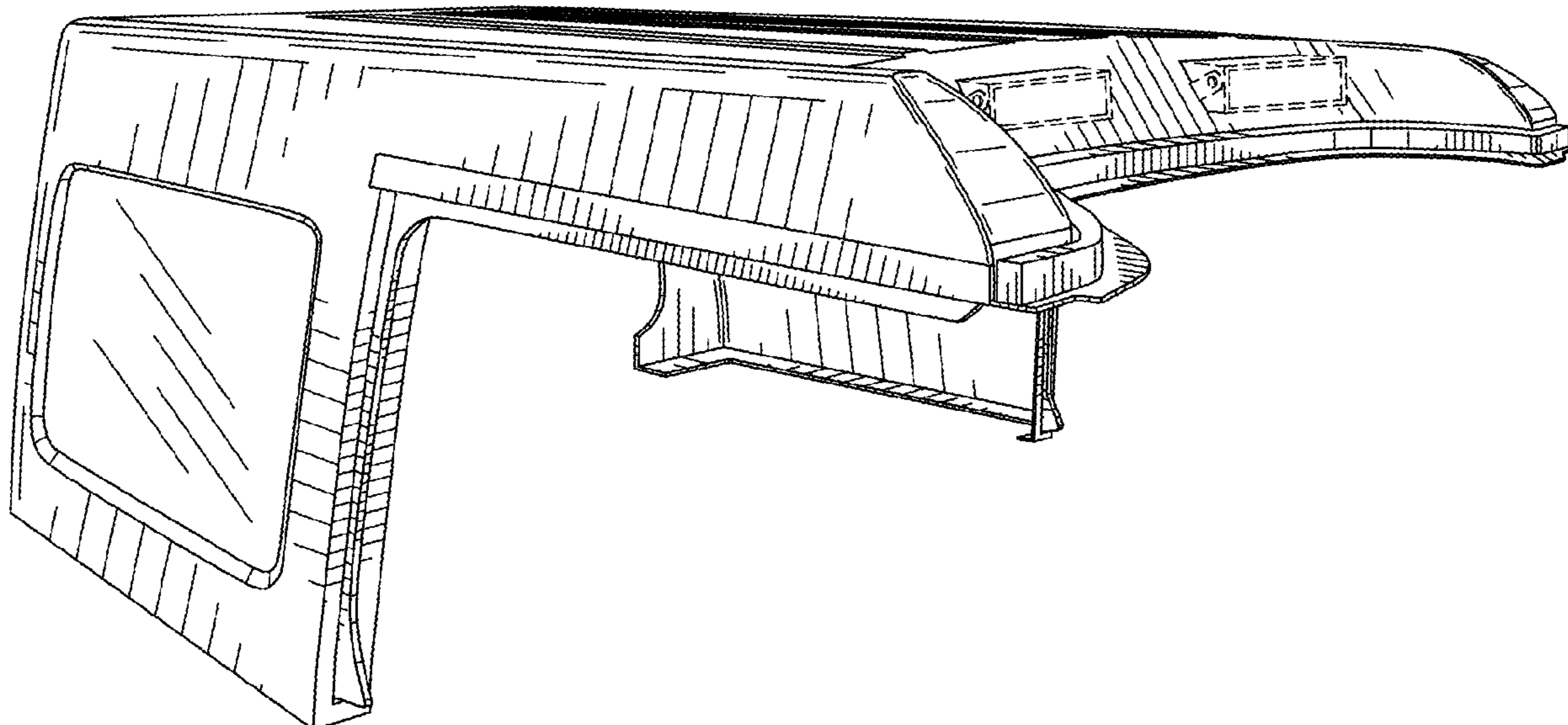
(57) **CLAIM**

The ornamental design for a vehicle top, as shown and described.

DESCRIPTION

FIG. 1 illustrates a perspective right side and front view of a vehicle top;
 FIG. 2 illustrates a right-side view of the vehicle top;
 FIG. 3 illustrates a left-side view of the vehicle top;
 FIG. 4 illustrates a top down view of the vehicle top;
 FIG. 5 illustrates a front view of the vehicle top;
 FIG. 6 illustrates a rear view of the vehicle top;
 FIG. 7 illustrates an underside view of the vehicle top; and,
 FIG. 8 illustrates a perspective left side view of the vehicle top installed on a vehicle.

1 Claim, 5 Drawing Sheets



(56)

References Cited

U.S. PATENT DOCUMENTS

D748,038	S	*	1/2016	Bennett	D12/404
D765,013	S	*	8/2016	Hindelang	D12/401
9,522,591	B1	*	12/2016	Bowles	B60J 7/126
D812,545	S	*	3/2018	Donohoe	D12/404
D836,532	S	*	12/2018	King	D12/404
D847,078	S	*	4/2019	Rolfs	D12/401
D852,113	S	*	6/2019	Williams	D12/404
D852,726	S	*	7/2019	Varga	D12/404
D856,261	S	*	8/2019	Beckles	D12/404
D857,609	S	*	8/2019	Rohr	D12/401
D859,282	S	*	9/2019	Dowdey	D12/401
D865,572	S	*	11/2019	Davidson	B62D 39/00
						D12/106
D878,248	S	*	3/2020	King	D12/102
D914,579	S	*	3/2021	Biscan	D12/404
D924,120	S	*	7/2021	Voss	D12/401
2014/0042765	A1	*	2/2014	McManus	B62D 31/00
						296/26.09

* cited by examiner

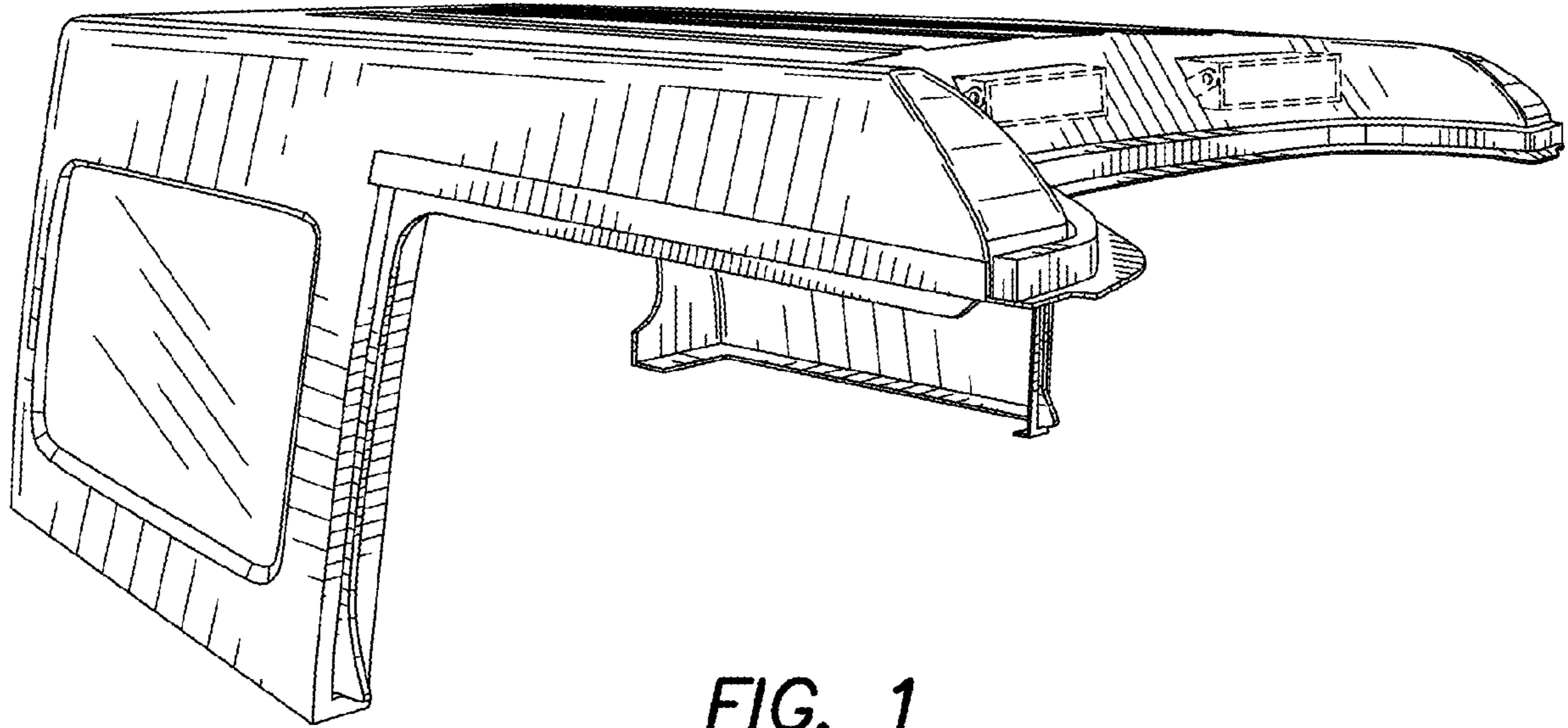


FIG. 1

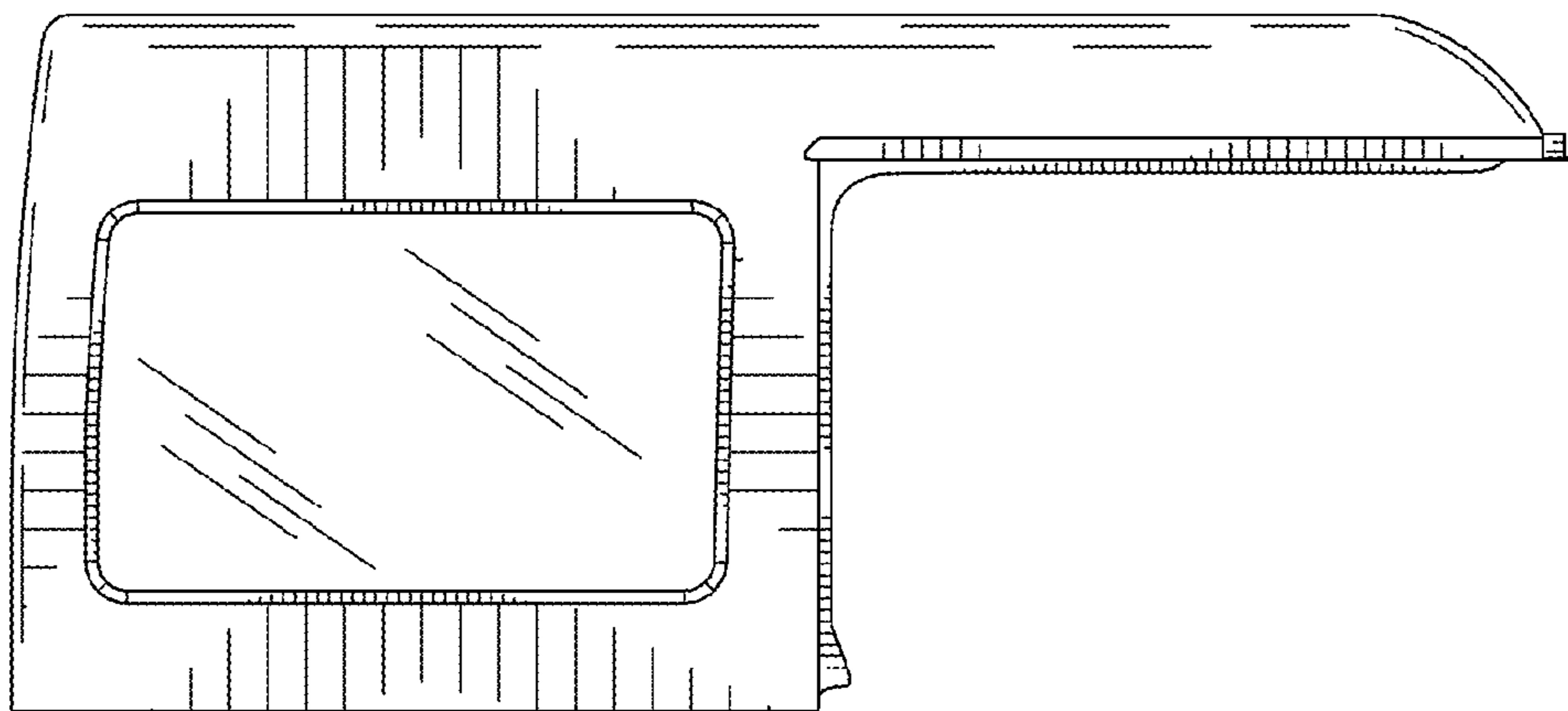


FIG. 2

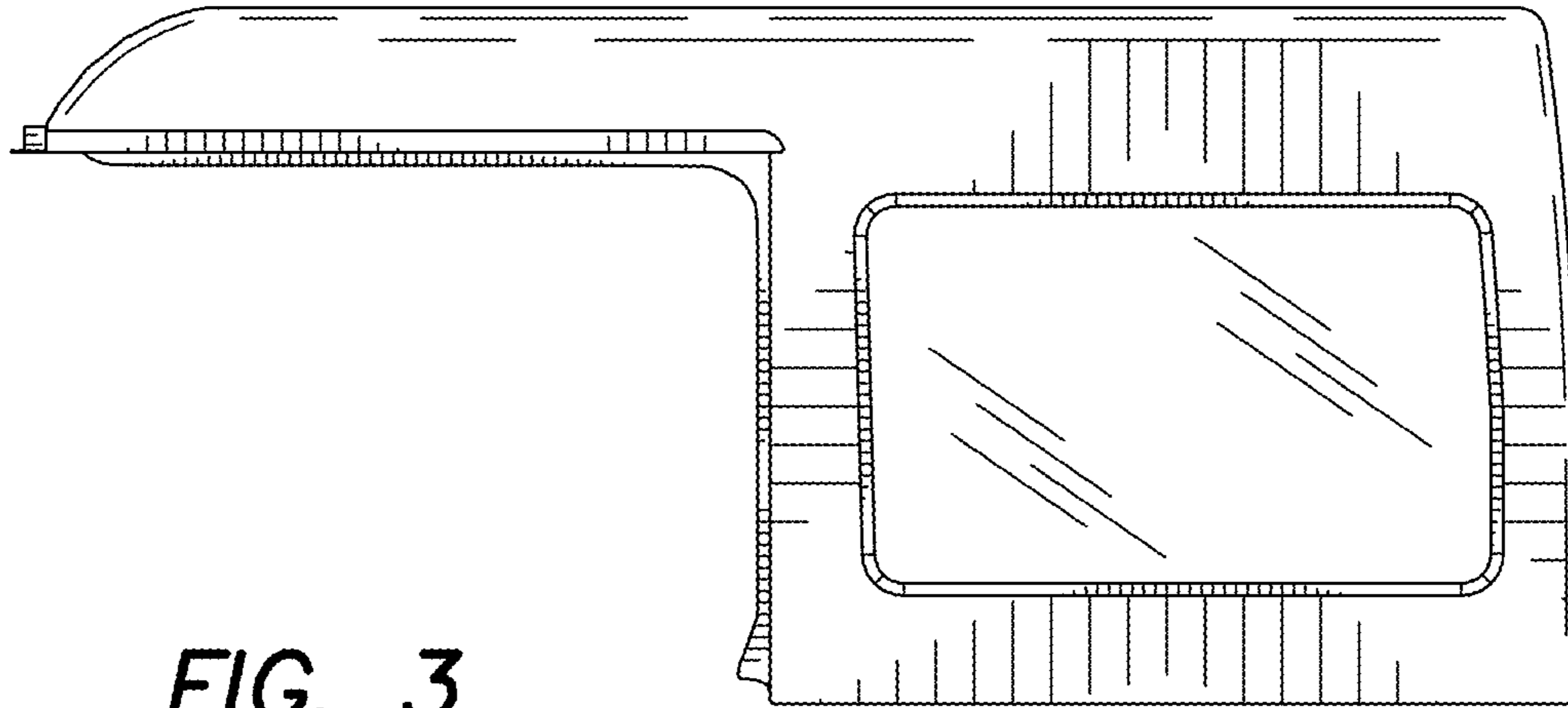


FIG. 3

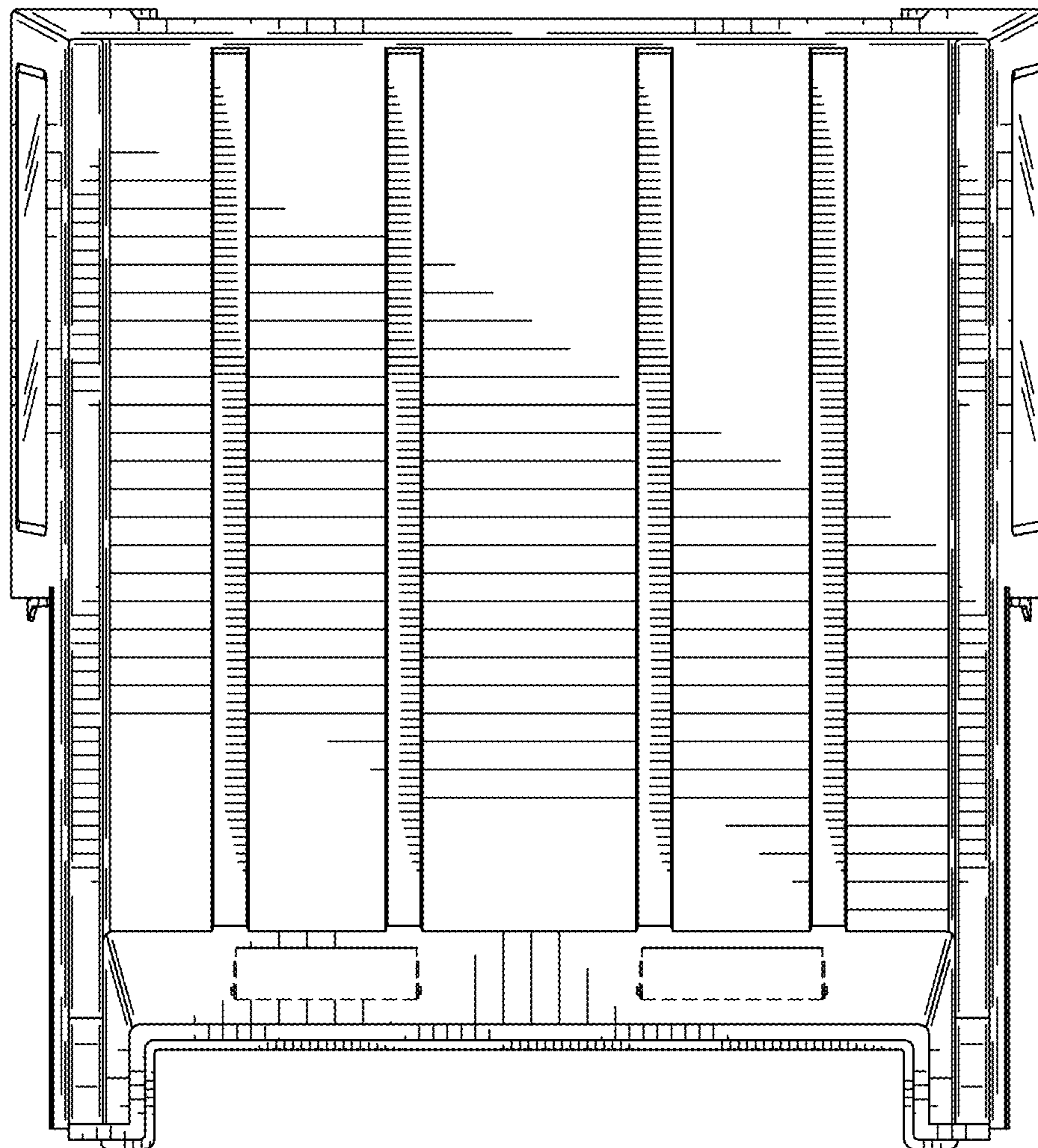


FIG. 4

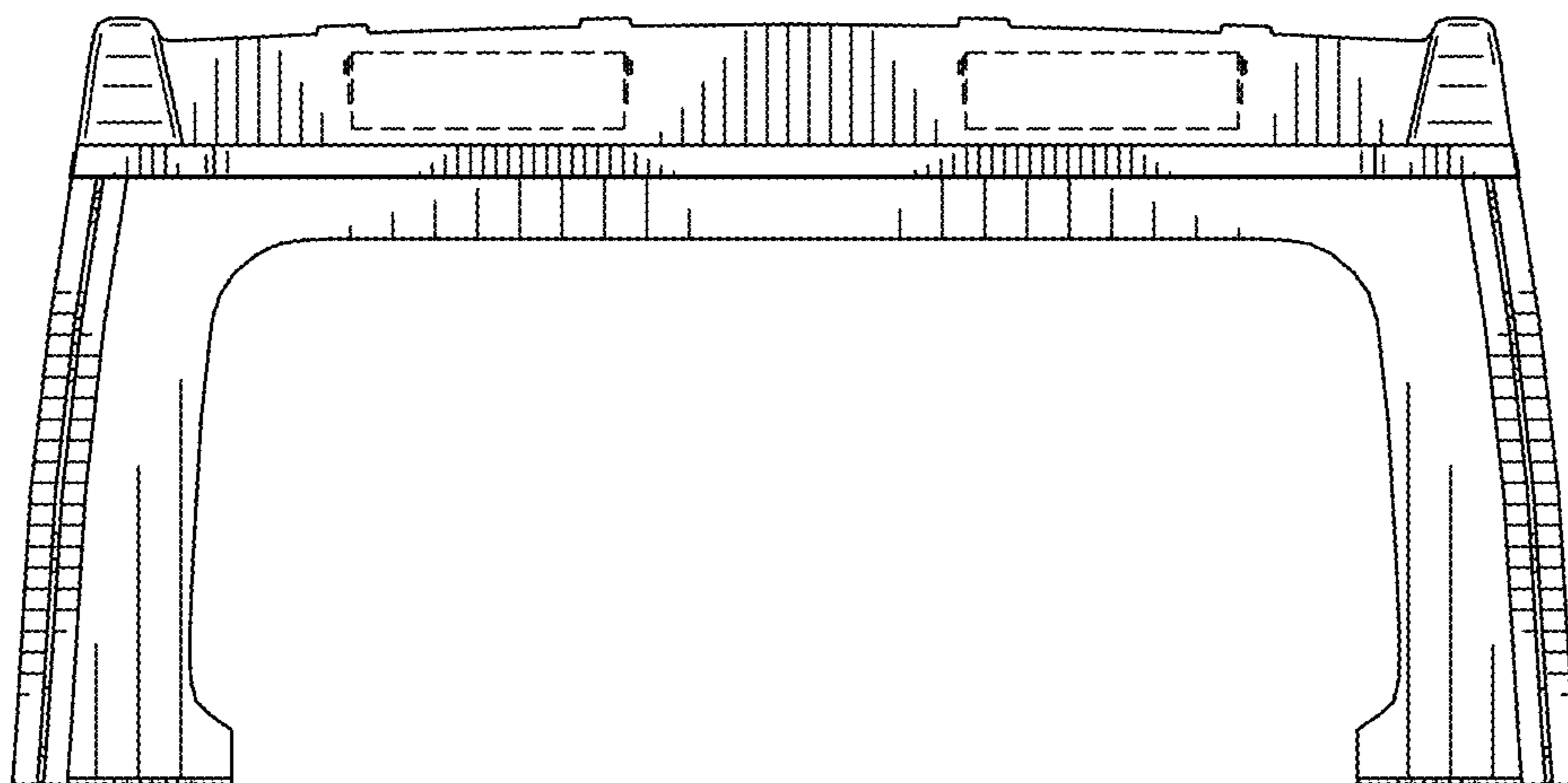


FIG. 5

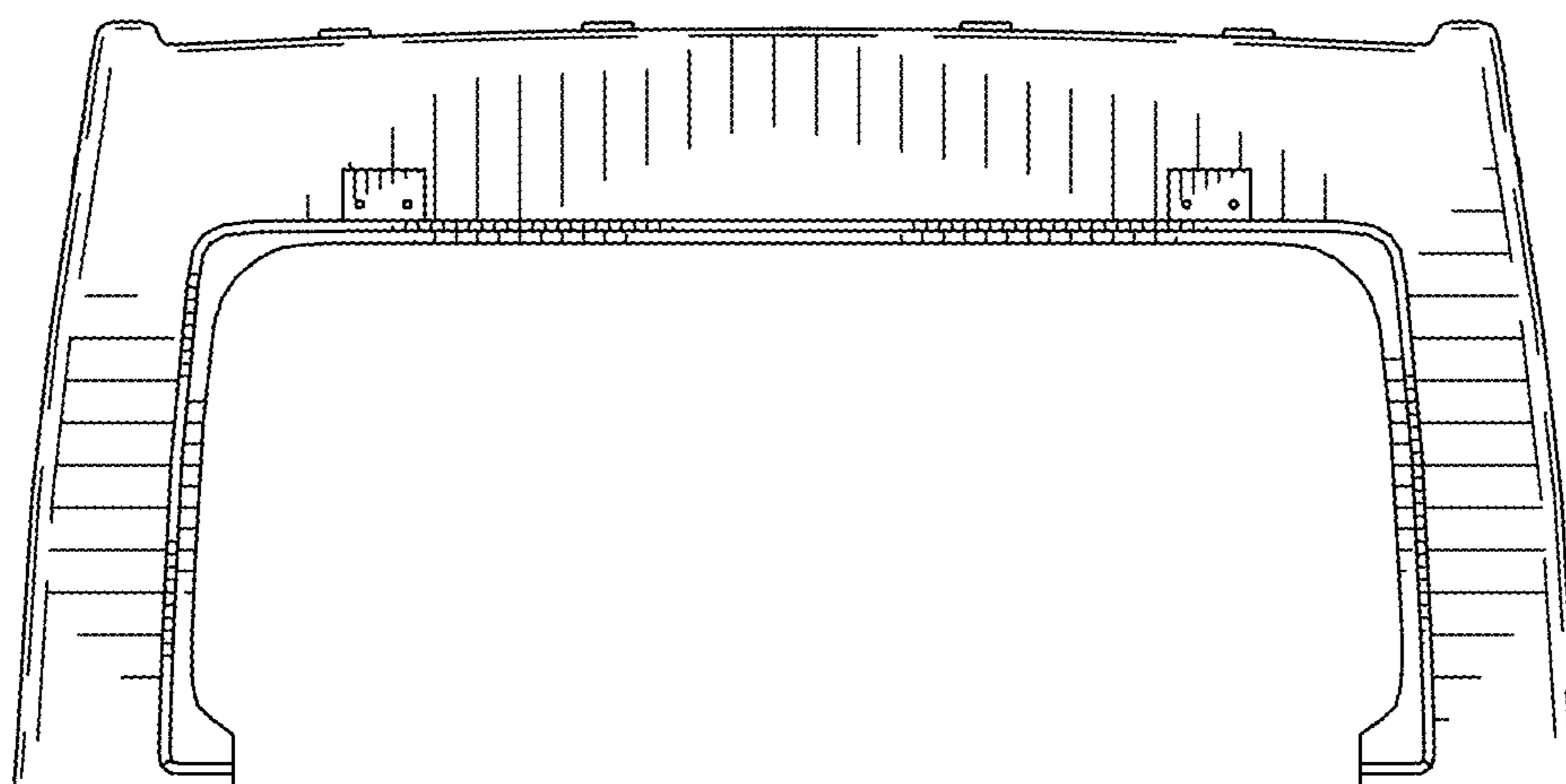


FIG. 6

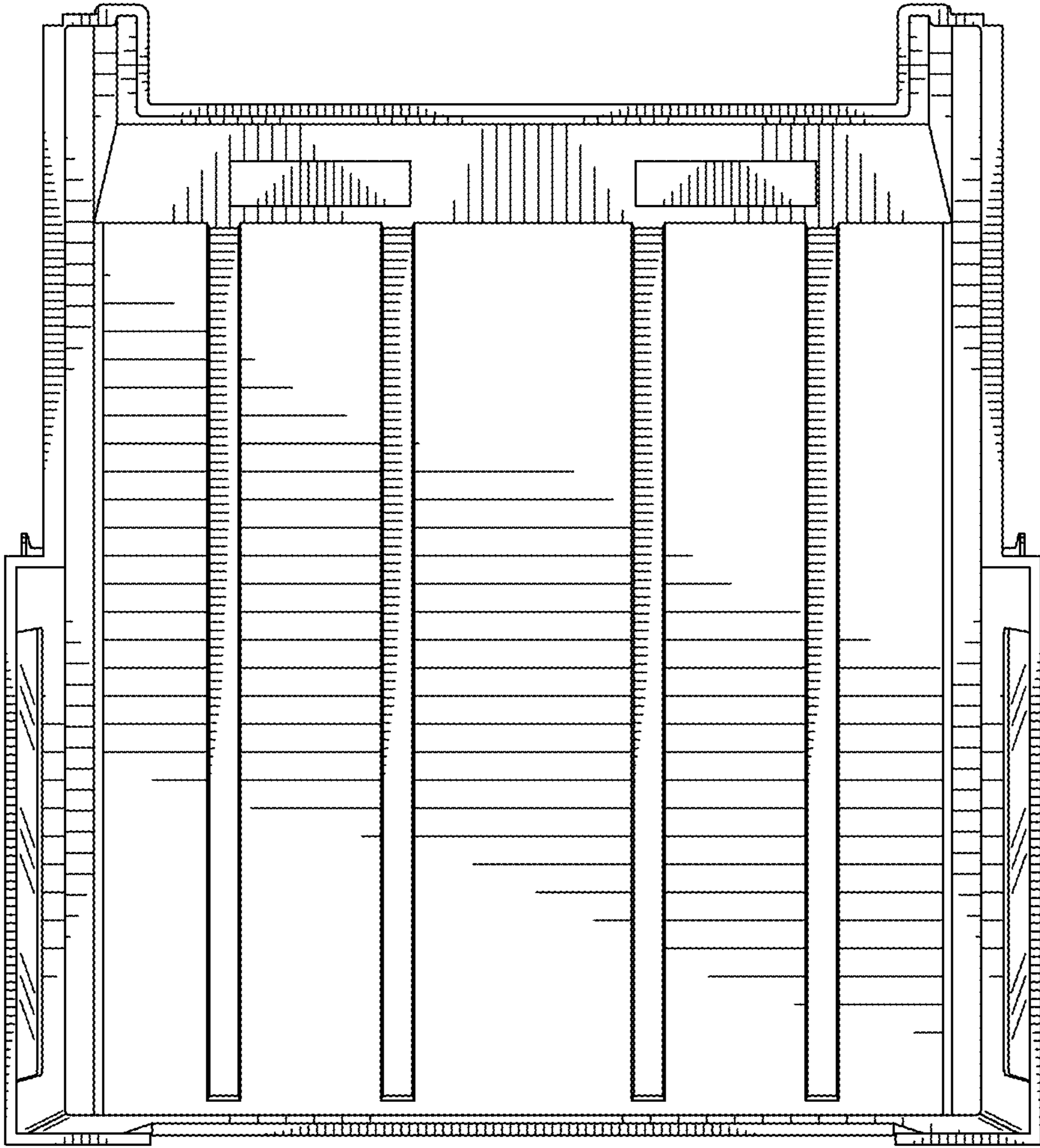


FIG. 7

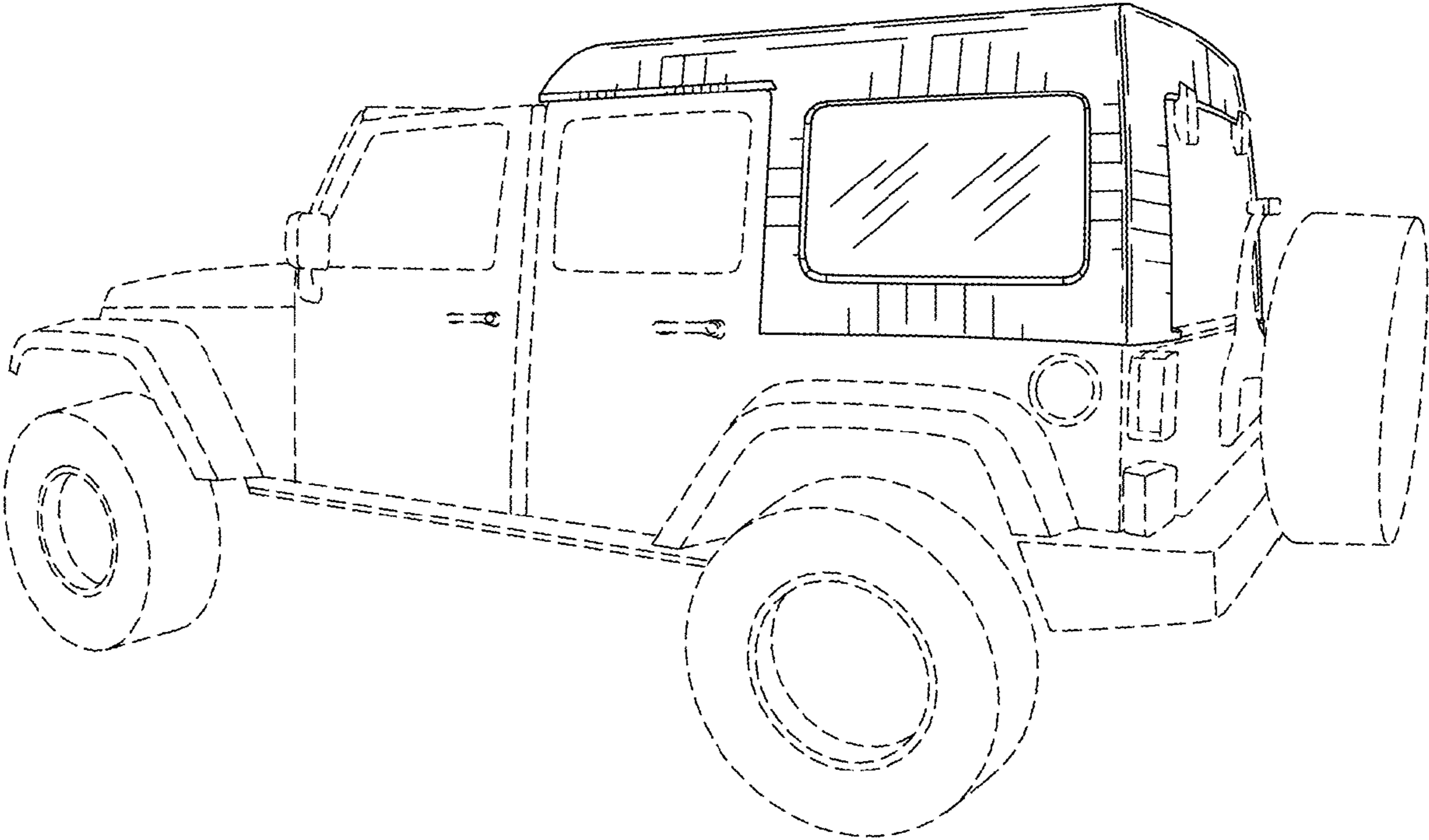


FIG. 8