

US00D928693S

(12) **United States Design Patent** (10) **Patent No.:** **US D928,693 S**
Lettl (45) **Date of Patent:** **** Aug. 24, 2021**

(54) **ROOF OF A RECREATIONAL VEHICLE**

(71) Applicant: **C.F. Maier GmbH & Co. KG,**
Königsbronn (DE)

(72) Inventor: **Gerhard Lettl,** Königsbronn (DE)

(**) Term: **15 Years**

(21) Appl. No.: **35/508,109**

(22) Filed: **Jun. 12, 2019**

(80) **Hague Agreement Data**

Int. Filing Date: **Jun. 12, 2019**

Int. Reg. No.: **DM/204559**

Int. Reg. Date: **Jun. 12, 2019**

Int. Reg. Pub. Date: **Dec. 13, 2019**

(51) **LOC (13) Cl.** **12-16**

(52) **U.S. Cl.**
USPC **D12/401**

(58) **Field of Classification Search**
USPC D12/86–92, 163–172, 401–405;
D21/495, 561; D6/596, 601–603, 611,
D6/615, 617, 621; D7/332, 334–337
CPC B60R 19/18; B60R 19/24; B60R 19/44;
B60R 19/48; B60R 19/56; B60R
2019/527; B60R 2019/1886; B62D
25/0845; B60J 11/08; B60J 11/06
See application file for complete search history.

(56) **References Cited**

U.S. PATENT DOCUMENTS

D259,340 S *	5/1981	Stengel	D12/401
D284,850 S *	7/1986	Wanzor	D12/317
D306,569 S *	3/1990	Walz	D12/401
D306,570 S *	3/1990	Lomonaco	D12/401
D392,243 S *	3/1998	Anderson	D12/317
5,931,114 A *	8/1999	Bartholomew	B63B 17/02 114/361
D520,937 S *	5/2006	Eisenhauer	D12/401
D549,638 S *	8/2007	Hughes	D12/401

D574,315 S *	8/2008	Swails	D12/401
D639,229 S *	6/2011	van Voorst tot Voorst	D12/401
D679,771 S *	4/2013	Muggleton	D21/834
D686,136 S *	7/2013	Galley	D12/401
D686,560 S *	7/2013	Hamilton	D12/317
D703,127 S *	4/2014	June	D12/317
8,752,498 B1 *	6/2014	Schwindaman	B63B 17/02 114/361
D727,243 S *	4/2015	Matsumura	D12/401
D727,244 S *	4/2015	Hashimoto	D12/401
D733,033 S *	6/2015	Rohr	D12/401
D737,193 S *	8/2015	Wilson	D12/317
D776,601 S *	1/2017	McDonald, II	D12/401
D793,328 S *	8/2017	Bridges	D12/317
9,783,267 B1 *	10/2017	Alexander	B63B 17/04
D832,185 S *	10/2018	McIntire	D12/401

(Continued)

Primary Examiner — Darlington Ly

(74) *Attorney, Agent, or Firm* — Davidson, Davidson & Kappel, LLC

(57) **CLAIM**

The ornamental design for a roof of a recreational vehicle, as shown and described.

DESCRIPTION

1. Roof of a recreational vehicle

1.1 is a rear elevation view of a roof of a recreational vehicle embodying my new design;

1.2 is a front elevation view thereof;

1.3 is a top, front, and right side perspective view thereof;

1.4 is a right side elevation view thereof;

1.5 is a top plan view thereof;

1.6 is a rear elevation view thereof in a collapsed state;

1.7 is a front elevation view thereof in a collapsed state;

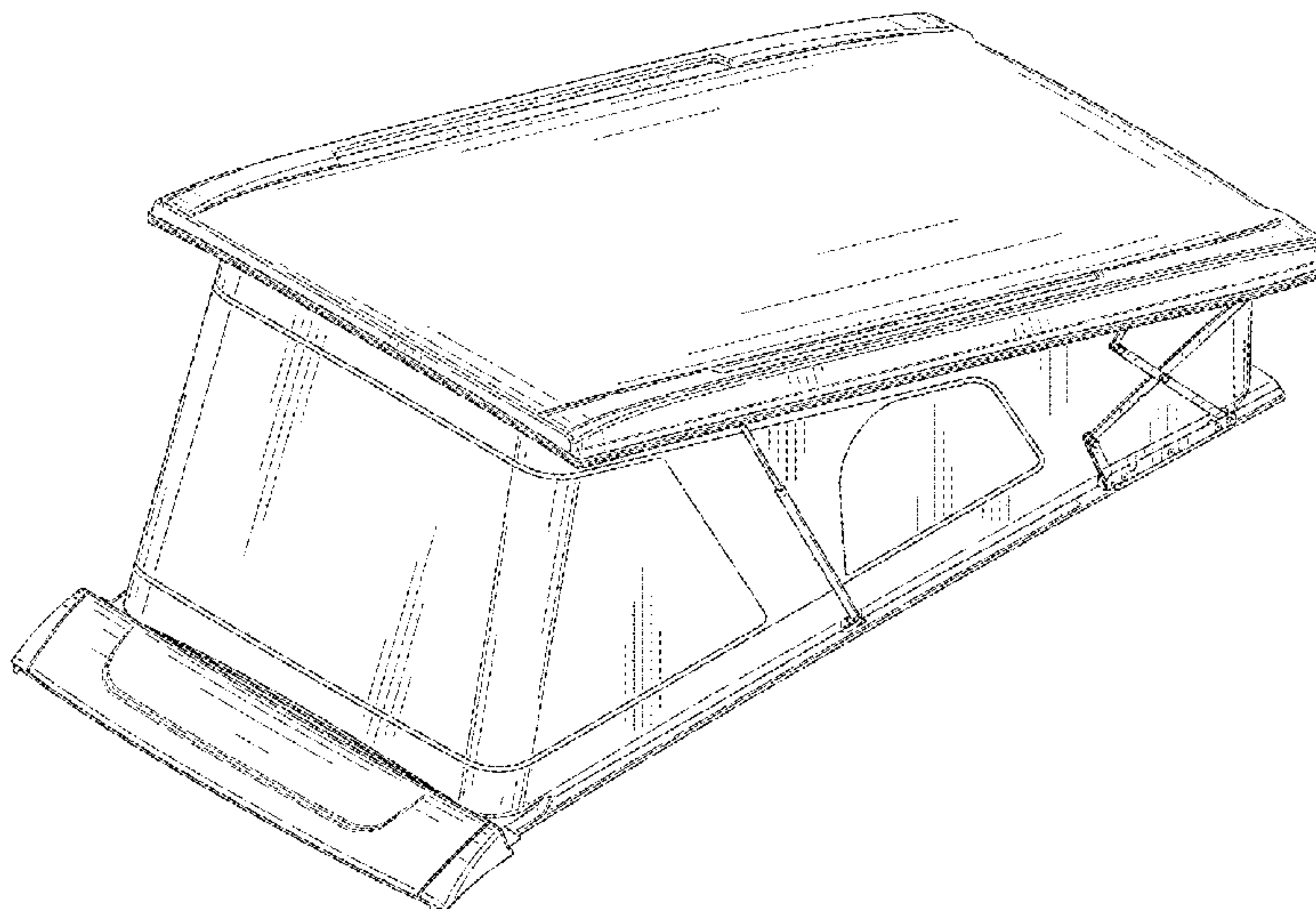
1.8 is a top, front, and right side elevation view thereof in a collapsed state;

1.9 is a right side elevation view thereof in a collapsed state; and

1.10 is a top plan view thereof in a collapsed state.

Pop-up roof for recreational vehicles.

1 Claim, 10 Drawing Sheets



(56)

References Cited

U.S. PATENT DOCUMENTS

D841,561 S *	2/2019	Beaven	D12/401
D841,562 S *	2/2019	Beckles	D12/401
D841,563 S *	2/2019	Beckles	D12/401
D842,798 S *	3/2019	Craig	D12/317
D847,078 S *	4/2019	Rolfs	D12/401
D847,079 S *	4/2019	Nightingale	D12/401
D847,724 S *	5/2019	Sprowl	D12/401
D859,281 S *	9/2019	McDonald, II	D12/401
D859,282 S *	9/2019	Dowdey	D12/401
D863,197 S *	10/2019	Gordon	D12/401
D867,261 S *	11/2019	Salas	D12/401
D885,302 S *	5/2020	Sprowl	D12/401
D891,356 S *	7/2020	Sprowl	D12/401
2010/0083891 A1 *	4/2010	Russikoff	B63B 17/02 114/361

* cited by examiner

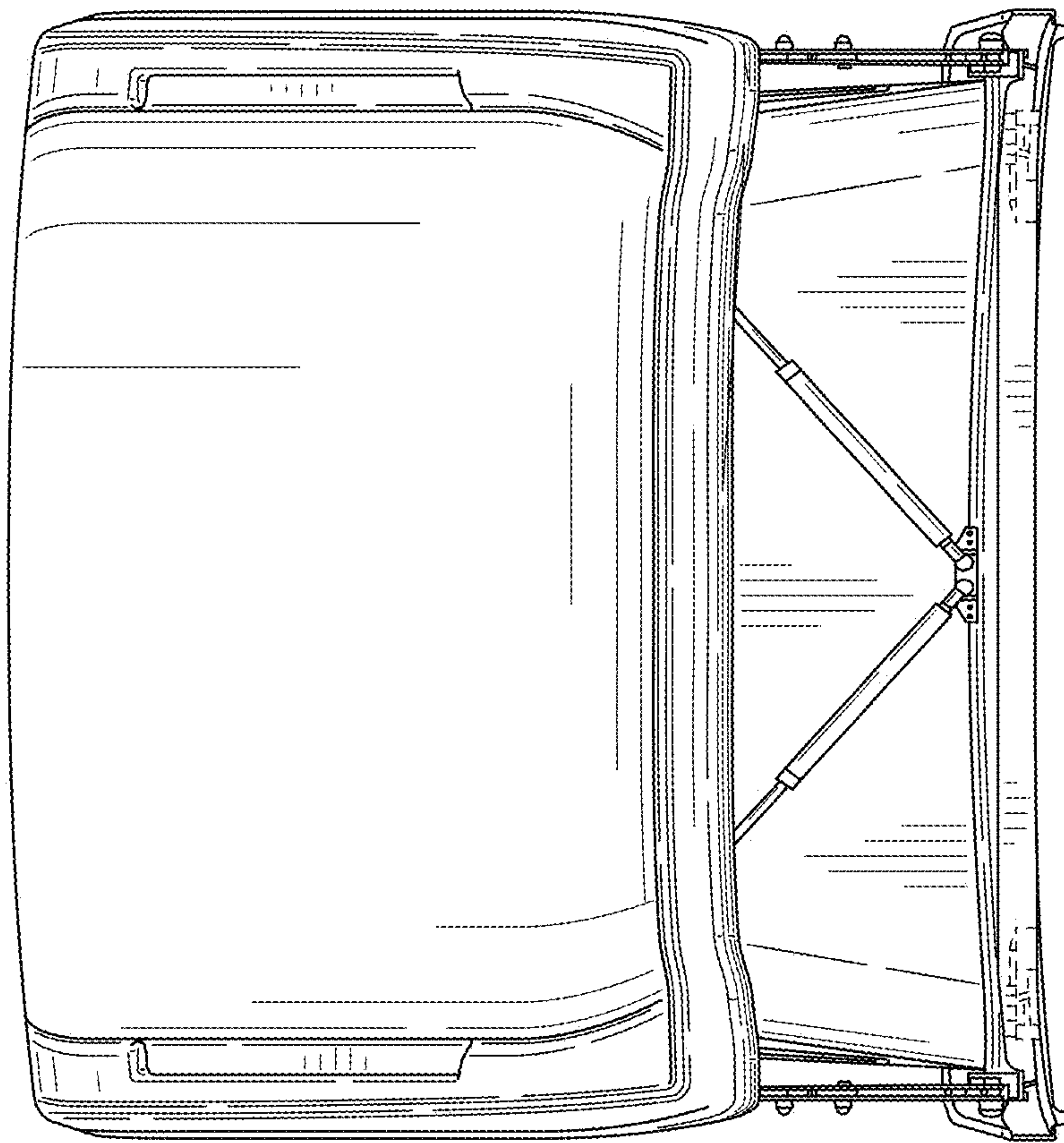


FIG. 1.1

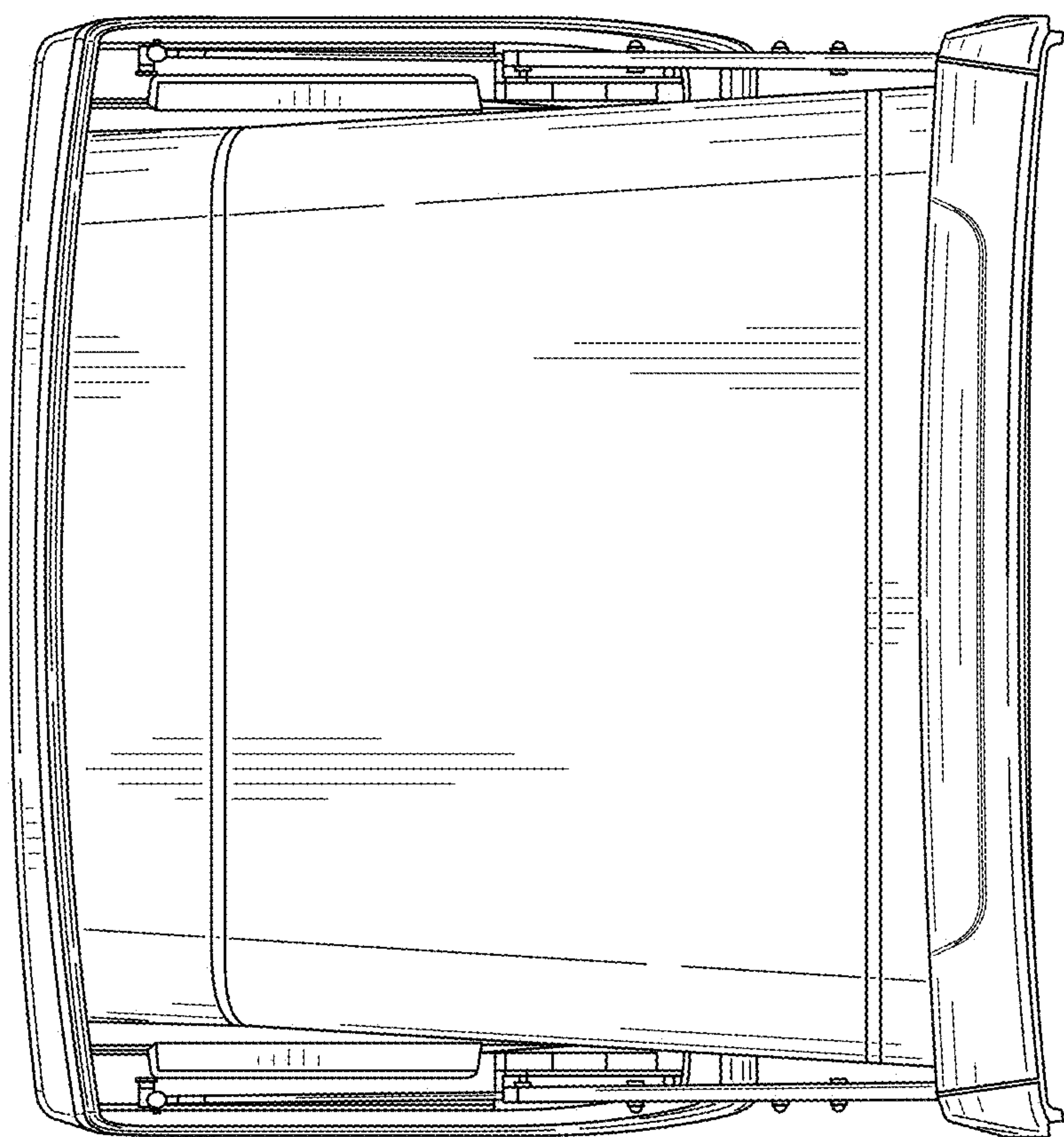


FIG. 1.2

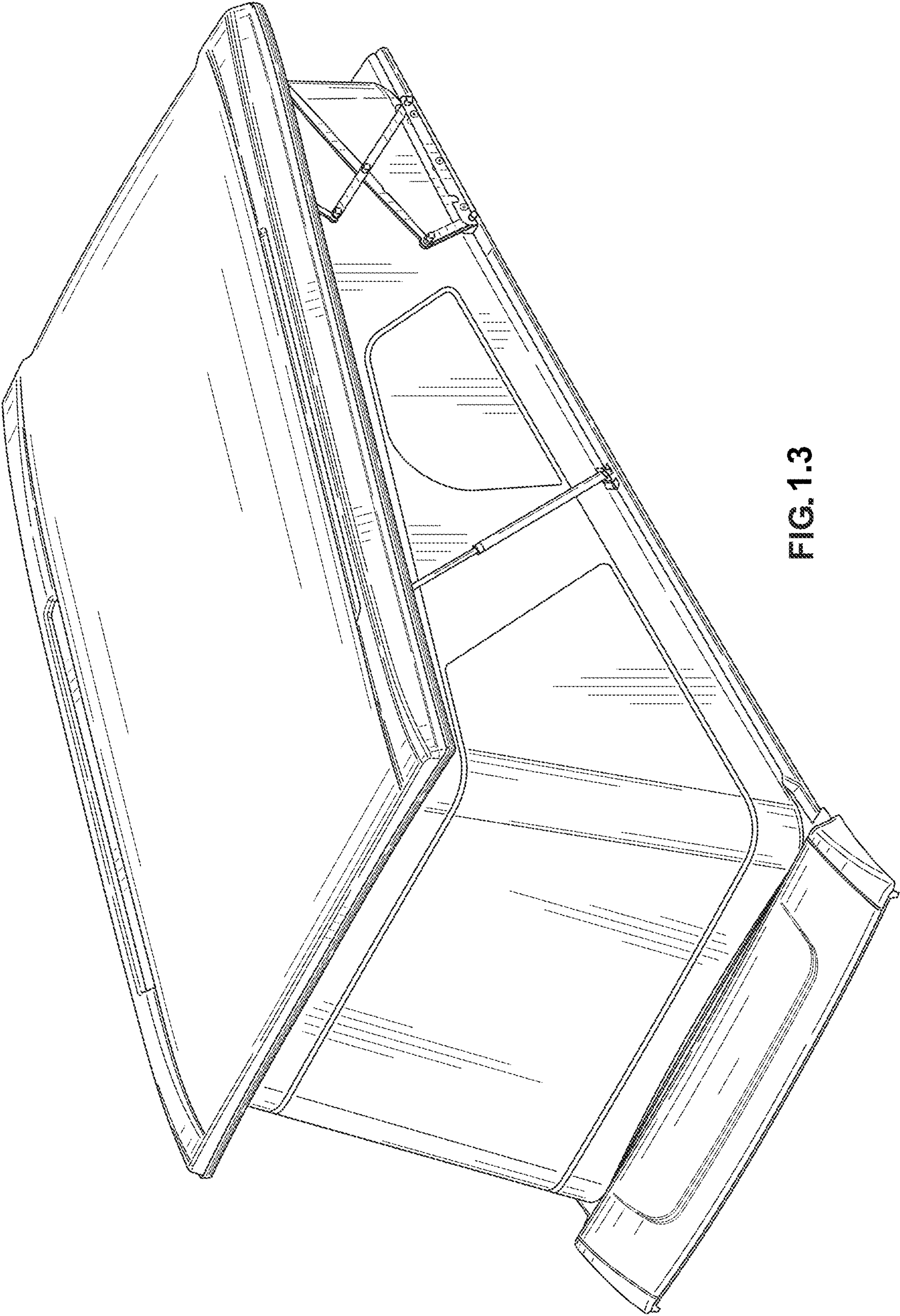


FIG. 1.3

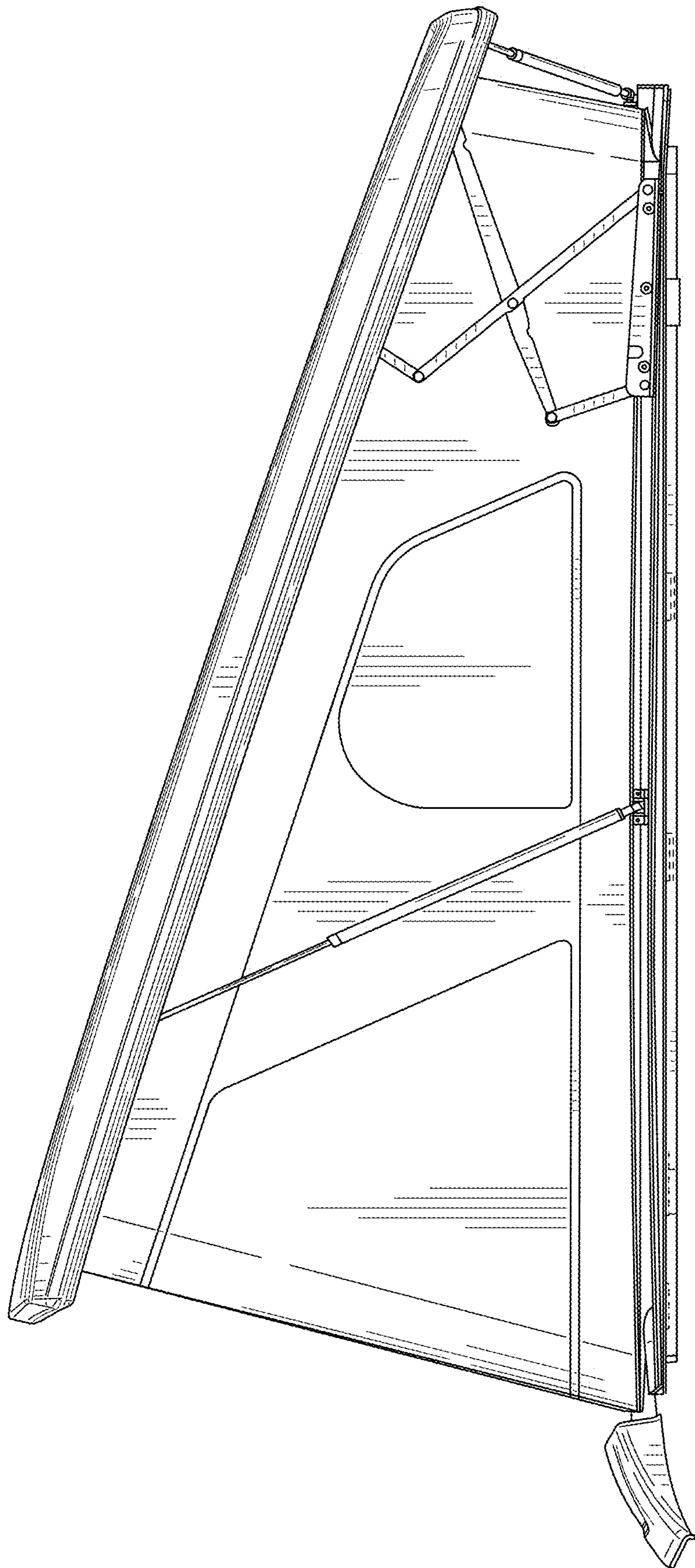


FIG. 1.4

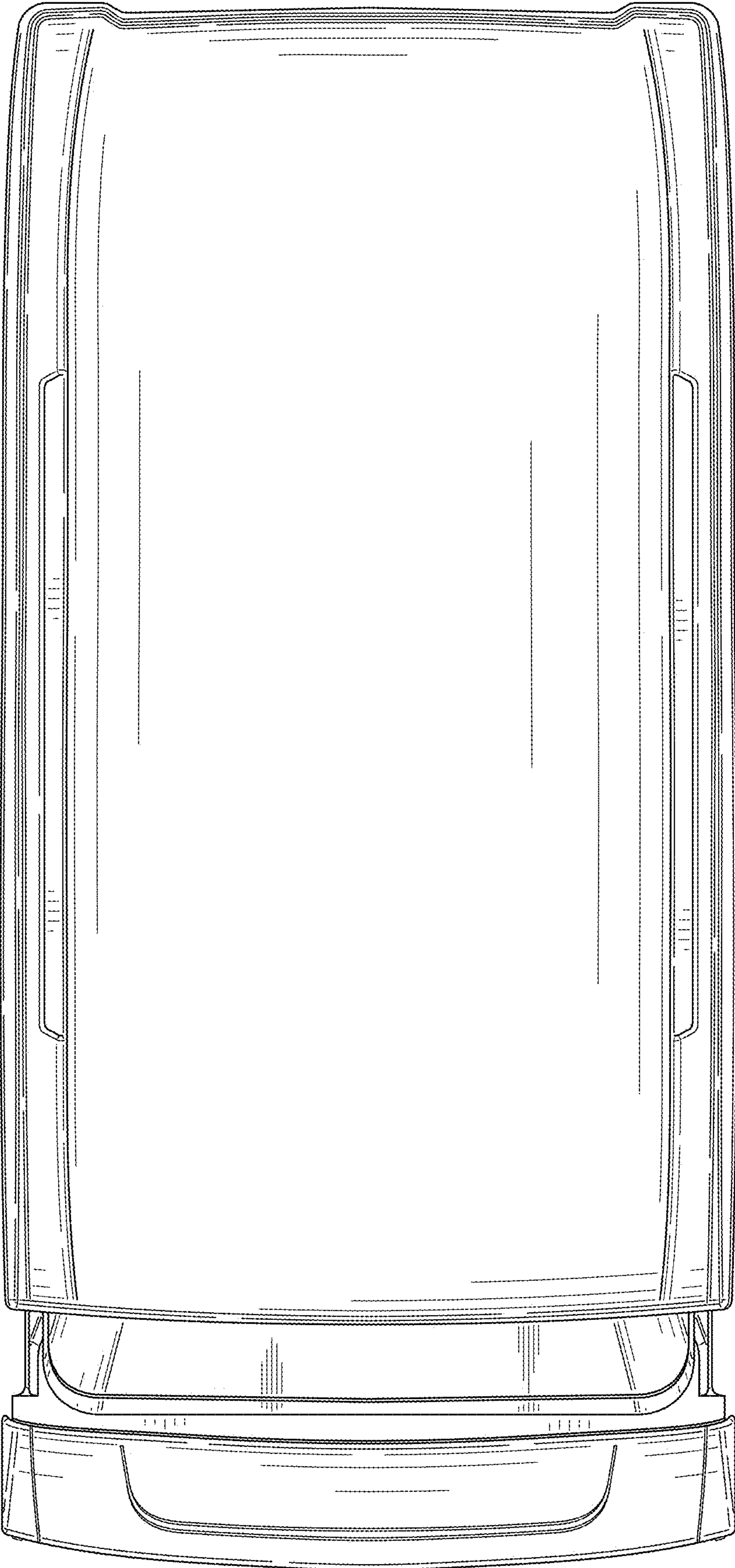


FIG. 1.5

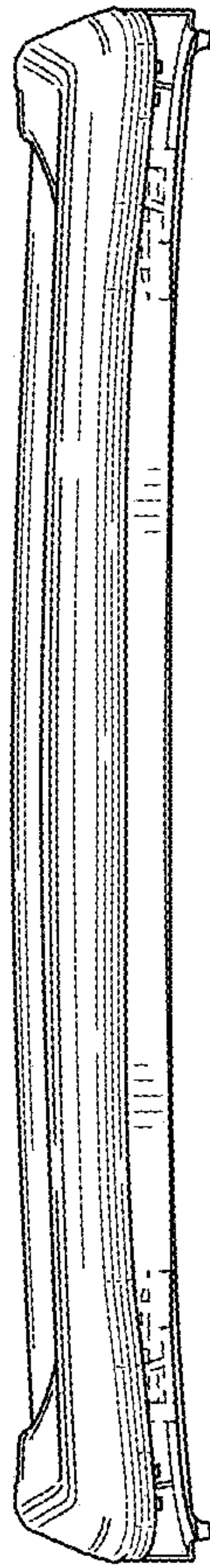


FIG. 1.6

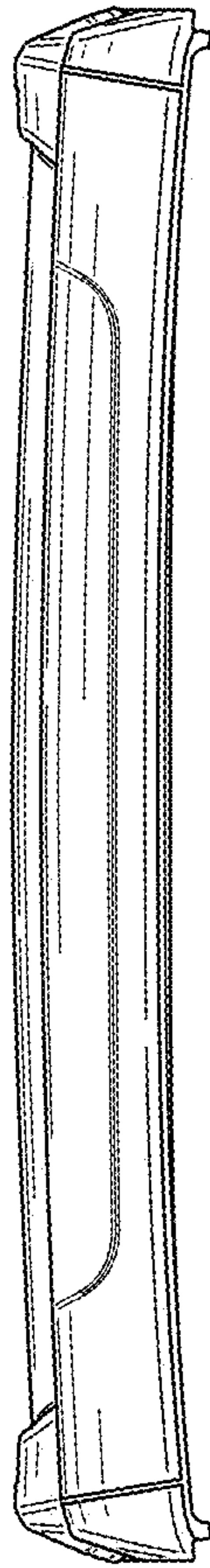


FIG. 1.7

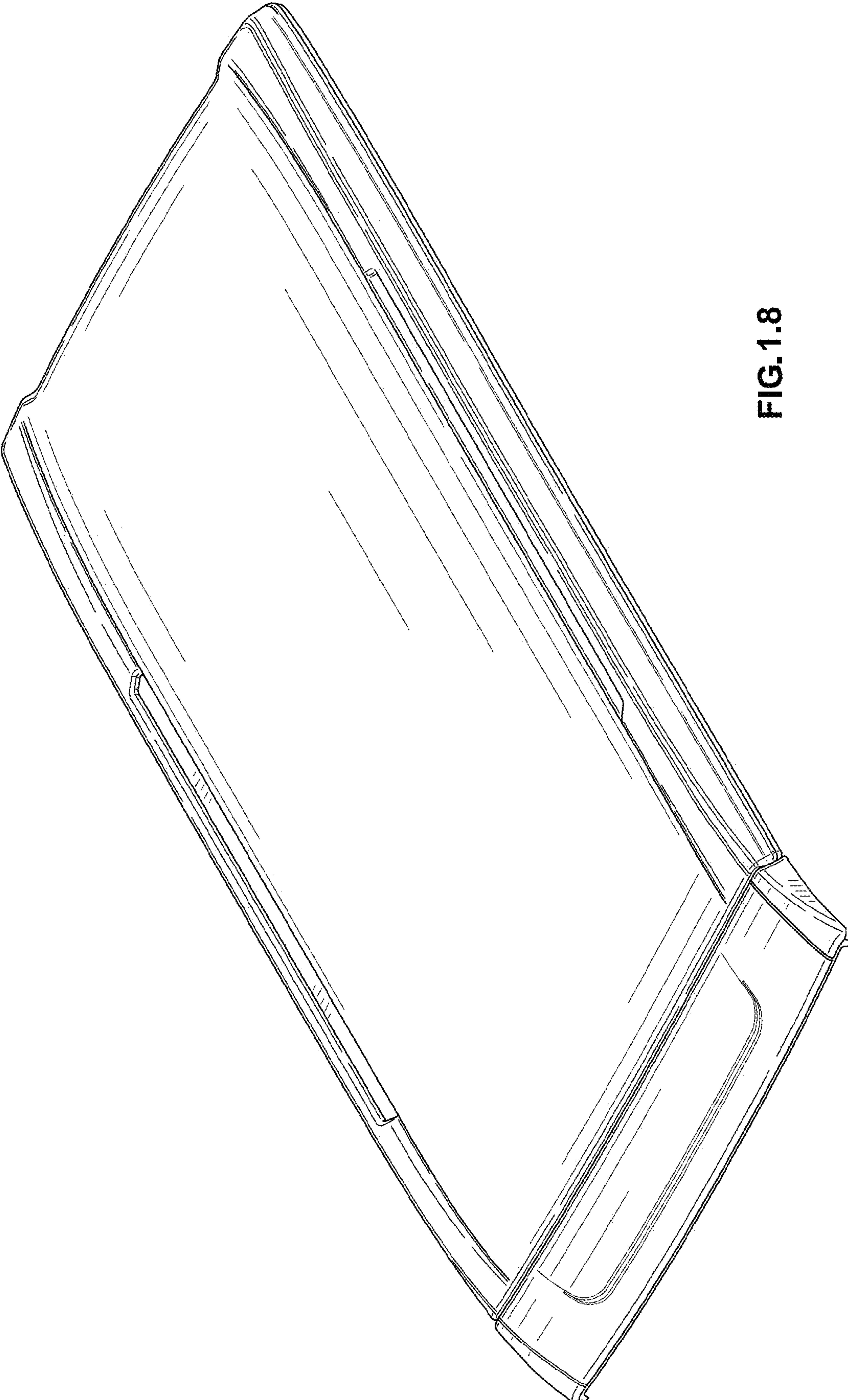


FIG. 1.8

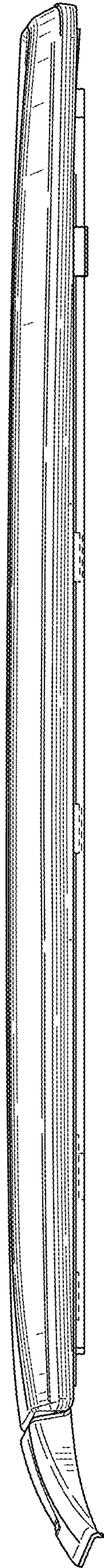


FIG. 1.9

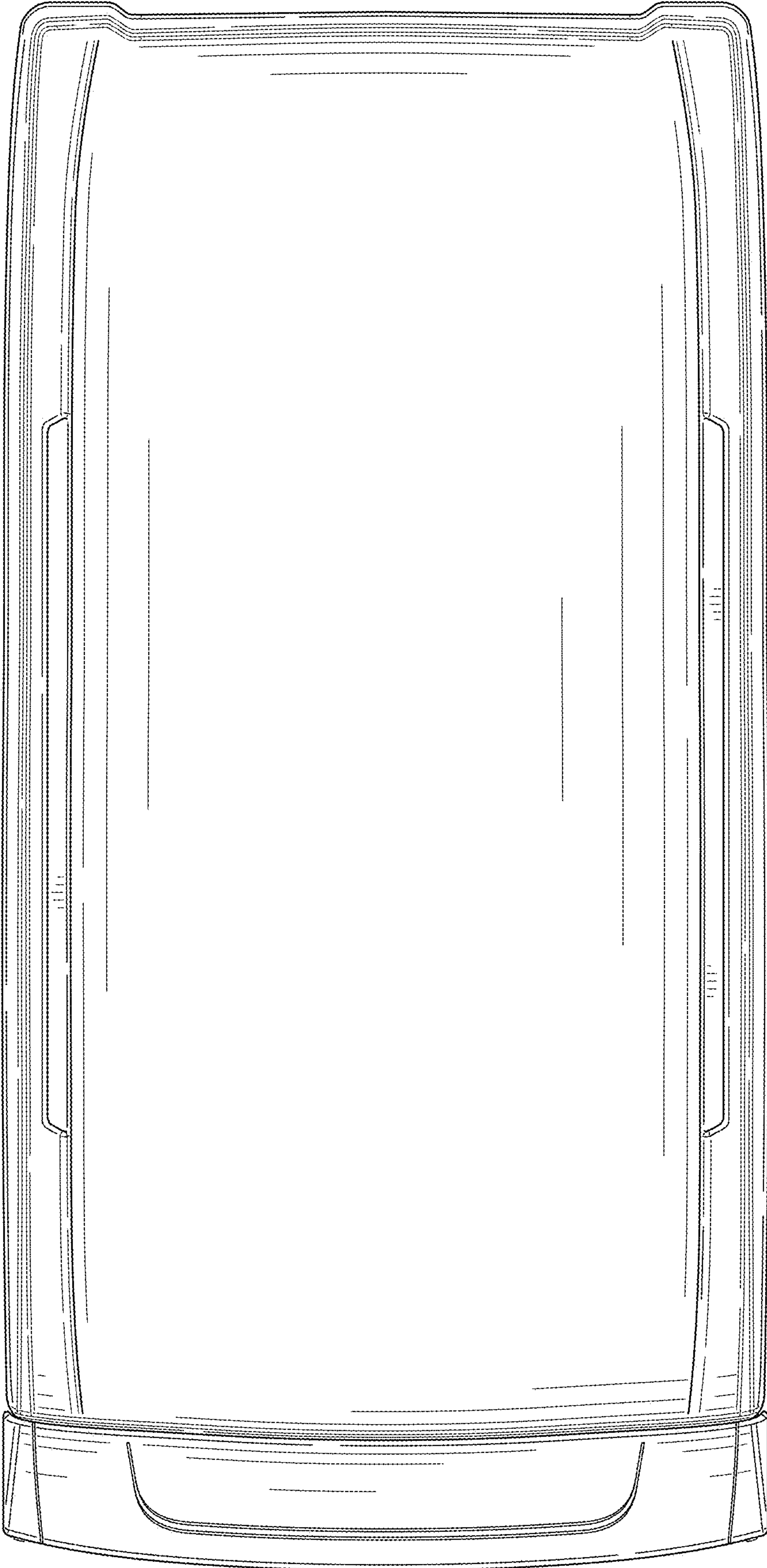


FIG. 1.10