



US00D928692S

(12) **United States Design Patent** (10) **Patent No.:** **US D928,692 S**
Richards et al. (45) **Date of Patent:** **** Aug. 24, 2021**

(54) **COMBINED MARINE SHIFT AND THROTTLE CONTROL**

(56) **References Cited**

U.S. PATENT DOCUMENTS

(71) Applicant: **Marine Acquisition (US) Incorporated**, Limerick, PA (US)

(72) Inventors: **Jason Richards**, Pottstown, PA (US); **Matt Green**, Macungie, PA (US); **Tom Ward**, Downingtown, PA (US); **David Wolfe**, Hatfield, PA (US); **Steven Bizzarro**, Macungie, PA (US); **Thomas-Éric Béliveau**, Danville (CA); **Olivier Patry**, Montreal (CA); **Antoine Dallaire**, Montreal (CA)

5,062,516 A	11/1991	Prince	
5,967,867 A	10/1999	Rinzaki et al.	
D497,347 S *	10/2004	Iekura	D13/168
D510,311 S	10/2005	Rick et al.	
D510,556 S	10/2005	Rick et al.	
D510,557 S	10/2005	Rick et al.	
D510,558 S	10/2005	Rick et al.	
D510,559 S	10/2005	Rick et al.	
6,979,278 B2	12/2005	Rick et al.	
7,172,478 B2 *	2/2007	Blair	B63H 21/213 440/87
D554,080 S	10/2007	Iekura	
D592,605 S	5/2009	Iekura	
8,128,443 B2 *	3/2012	Gai	B63H 21/213 440/86
D663,252 S	7/2012	Bondesson	
D689,424 S	9/2013	Park et al.	
D710,781 S	8/2014	Park et al.	
D746,758 S	1/2016	Dannenberg et al.	

(73) Assignee: **Marine Acquisition (US) Incorporated**, Limerick, PA (US)

(**) Term: **15 Years**

(21) Appl. No.: **29/753,749**

(22) Filed: **Oct. 1, 2020**

Related U.S. Application Data

(60) Division of application No. 29/683,157, filed on Mar. 11, 2019, now Pat. No. Des. 901,593, which is a continuation-in-part of application No. 29/579,773, filed on Oct. 3, 2016, now Pat. No. Des. 888,646.

(51) **LOC (13) Cl.** **12-06**

(52) **U.S. Cl.**
USPC **D12/317**

(58) **Field of Classification Search**
USPC D12/174, 317; D10/49; D13/162, 168, D13/169
CPC B63H 21/21; B63H 21/213; B63H 21/26; B63H 21/265

See application file for complete search history.

(Continued)

Primary Examiner — Cynthia M. Chin

(57) **CLAIM**

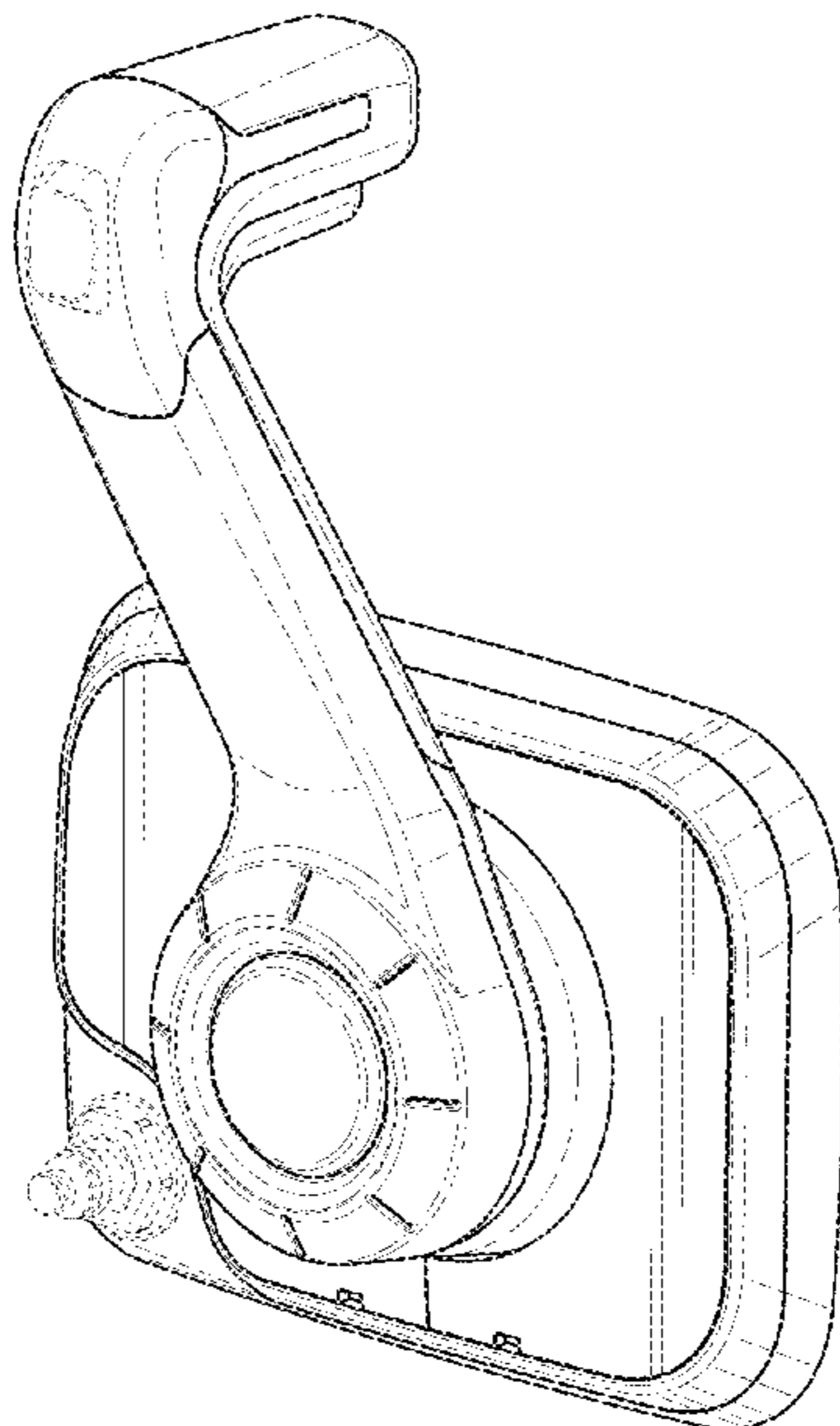
The ornamental design for a combined marine shift and throttle control, as shown and described.

DESCRIPTION

FIG. 1 is a front, side perspective view of our design;
 FIG. 2 is a front elevational view thereof;
 FIG. 3 is a rear elevational view thereof;
 FIG. 4 is a side elevational view thereof;
 FIG. 5 is a side elevational view from the side opposite to that of FIG. 4;
 FIG. 6 is a top plan view thereof; and,
 FIG. 7 is a bottom plan view thereof.

The broken lines are for the purpose of illustrating portions of the article that form no part of the claimed design.

1 Claim, 7 Drawing Sheets



(56)

References Cited

U.S. PATENT DOCUMENTS

D834,492 S 11/2018 Uchiyama et al.
D888,646 S * 6/2020 Richards D12/317

* cited by examiner

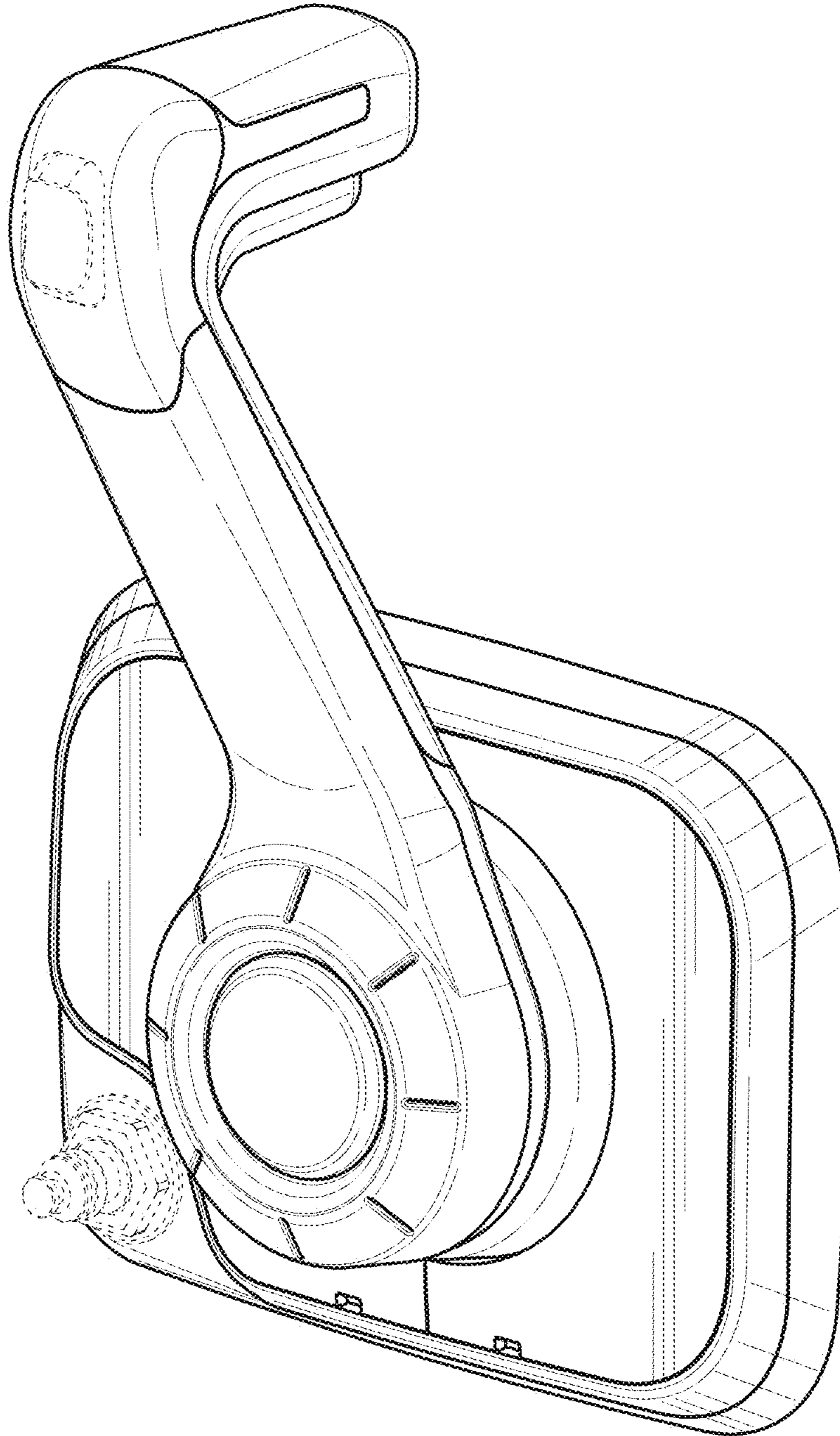


FIG. 1

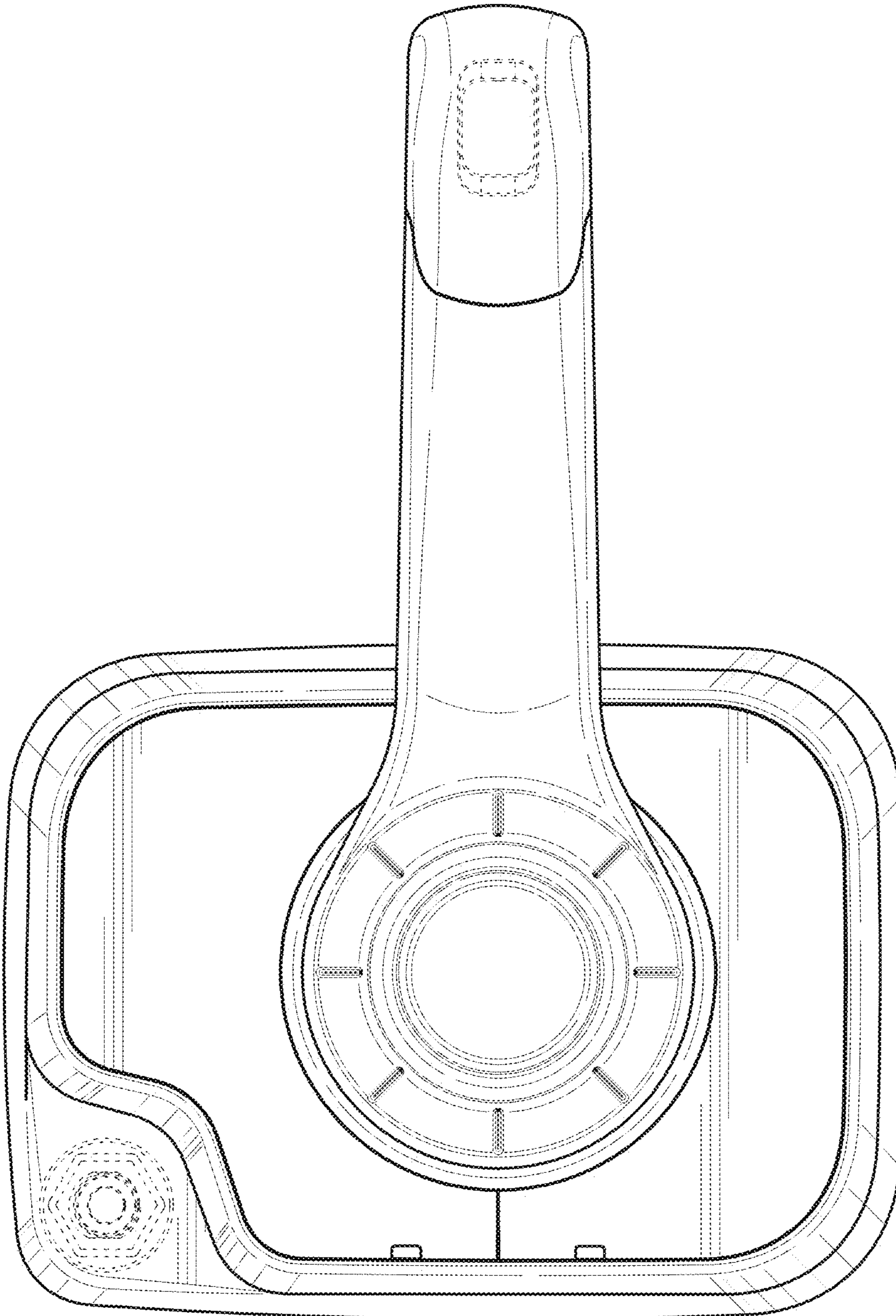


FIG. 2

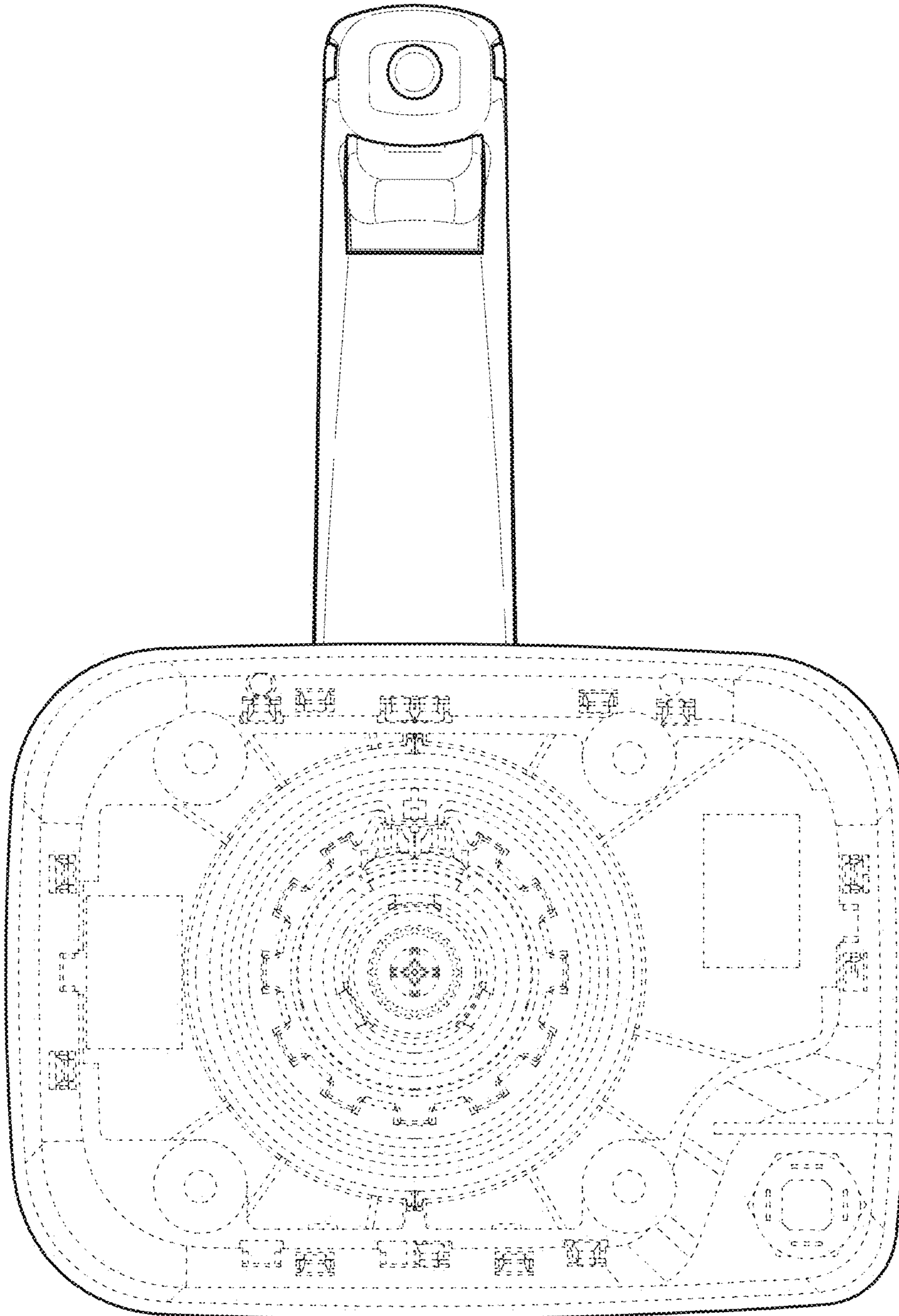


FIG. 3

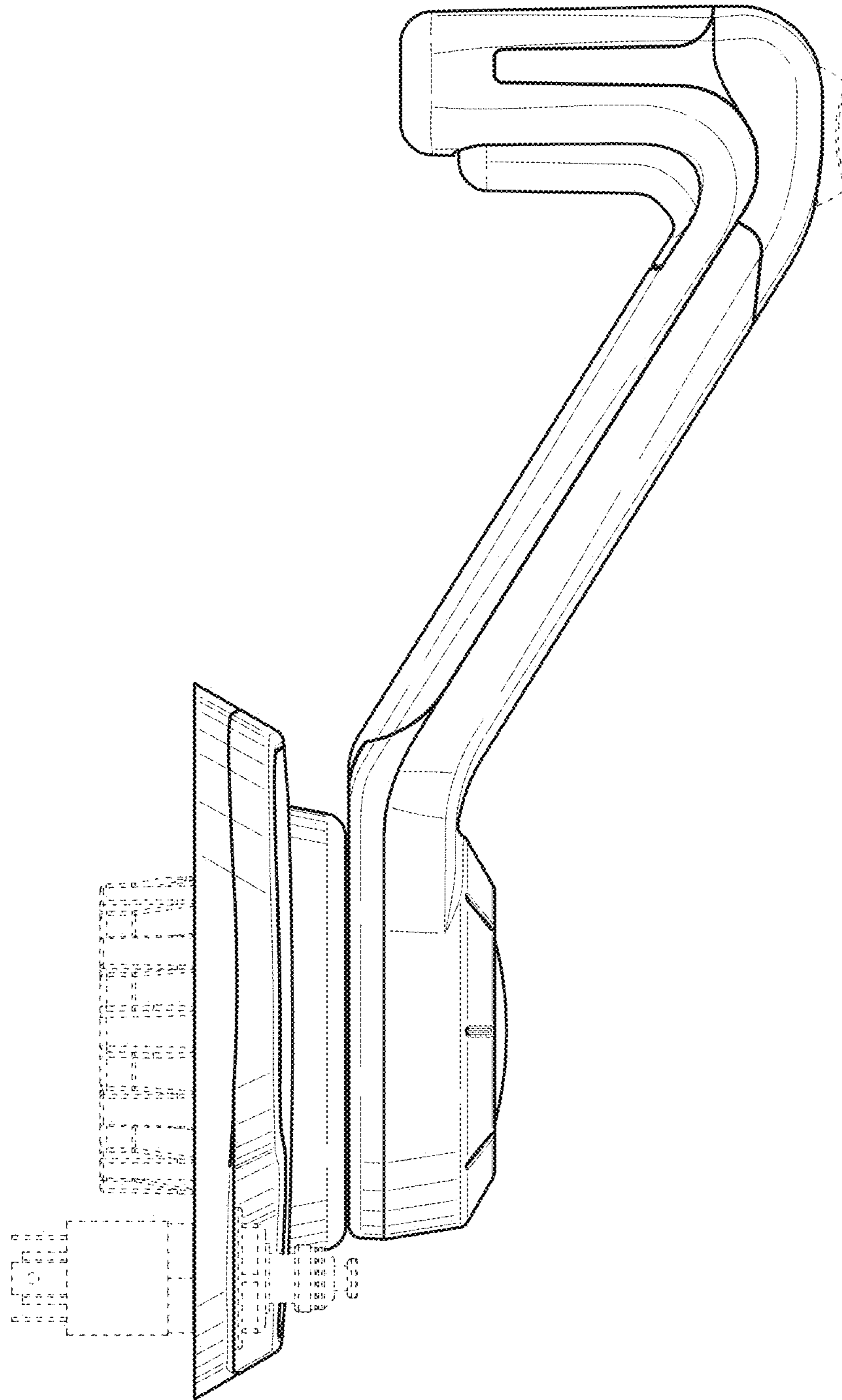


FIG. 4

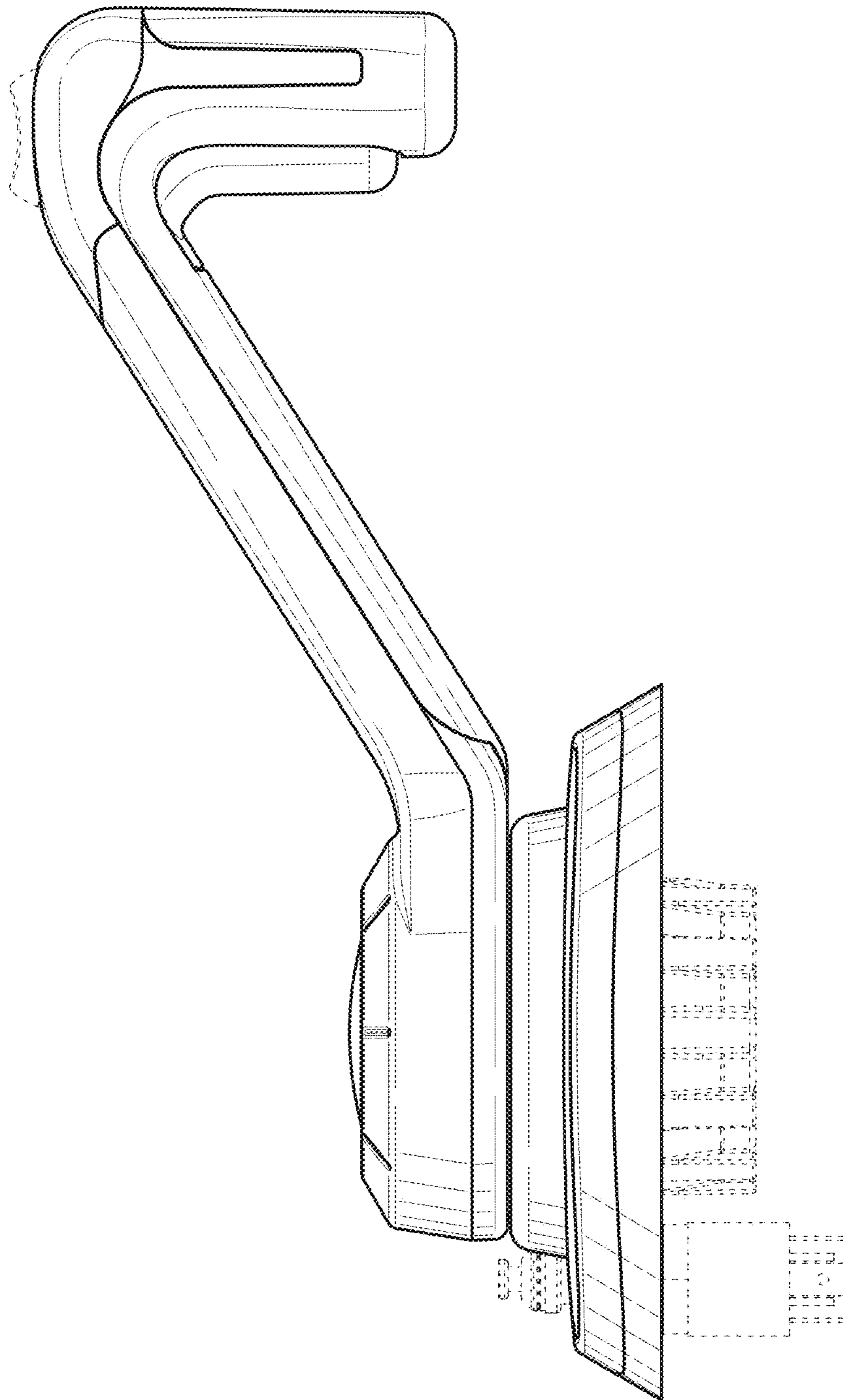


FIG. 5

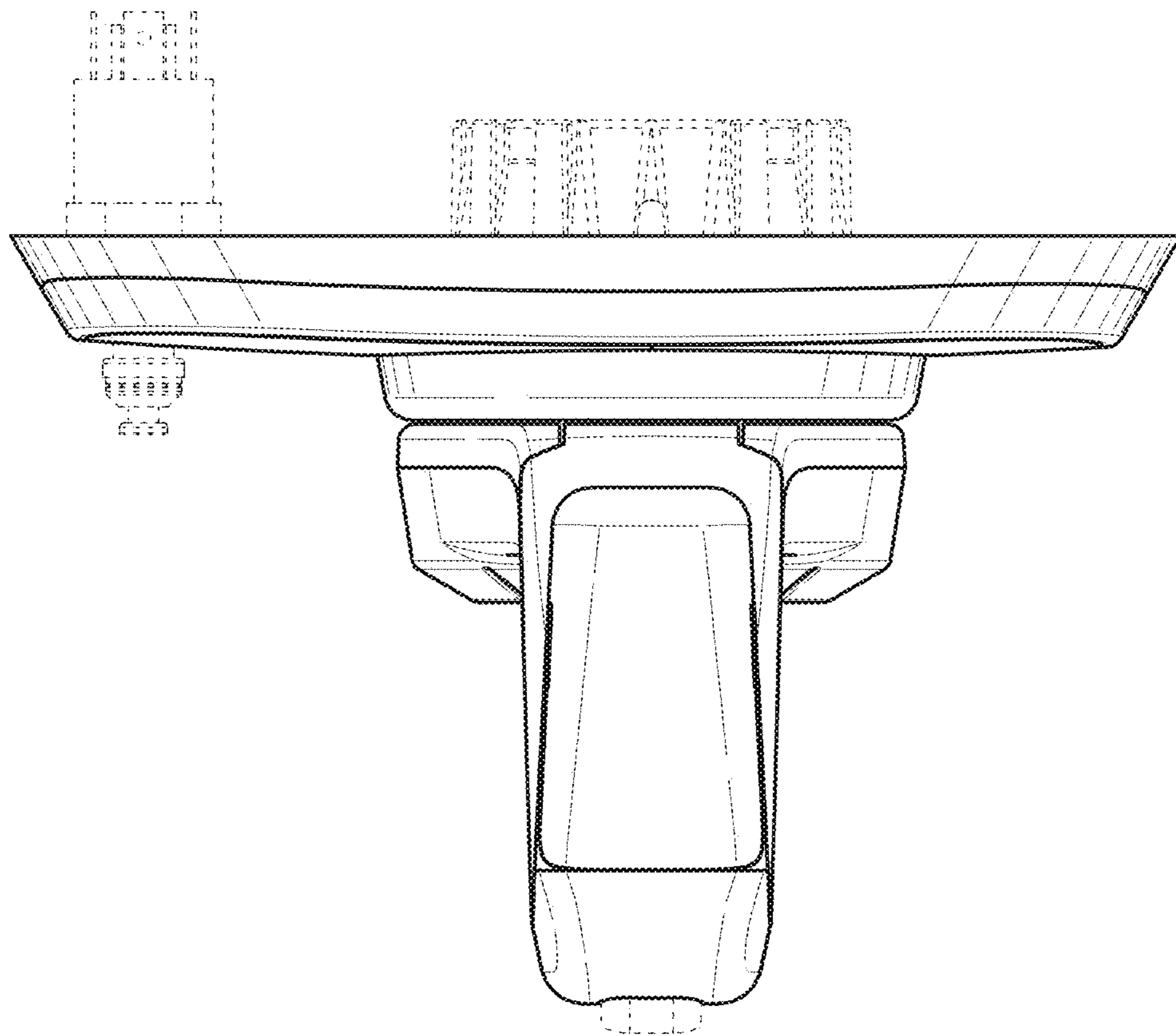


FIG. 6

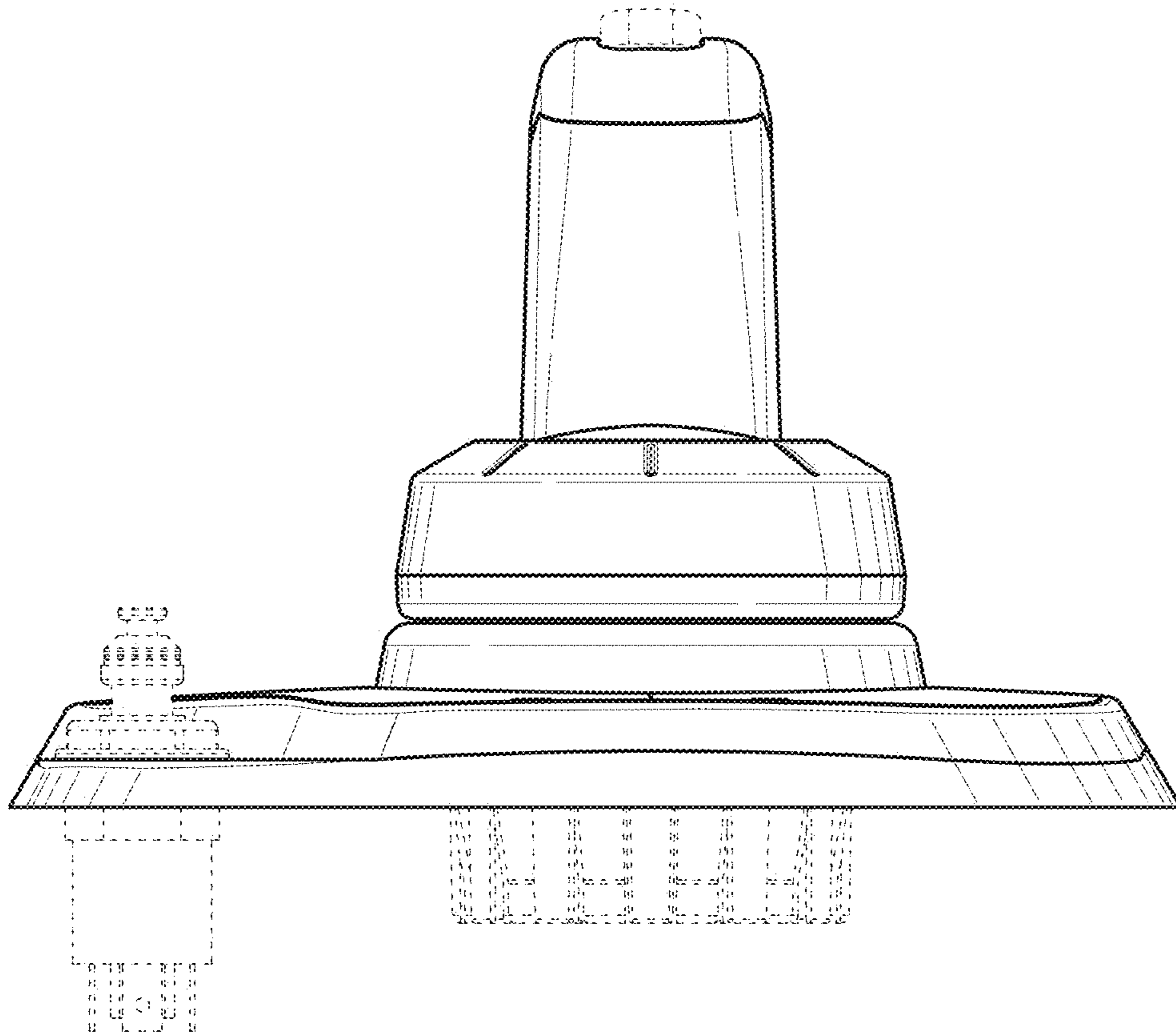


FIG. 7