



US00D928690S

(12) **United States Design Patent** (10) **Patent No.:** **US D928,690 S**
Guild et al. (45) **Date of Patent:** **** *Aug. 24, 2021**

(54) **MARINE VEHICLE WITH SHROUD AND TOP CONTINUOUS LENS**

(71) Applicant: **The United States of America as represented by the Secretary of the Navy, Keyport, WA (US)**
(72) Inventors: **Jennifer A Guild, Poulsbo, WA (US); Eric E Seeley, Seabeck, WA (US); Jose M Ruiz, Bremerton, WA (US); Logan Harris, Tacoma, WA (US)**

(73) Assignee: **The United States of America as represented by the Secretary of the Navy, Washington, DC (US)**

(*) Notice: This patent is subject to a terminal disclaimer.

(**) Term: **15 Years**

(21) Appl. No.: **29/742,129**

(22) Filed: **Jan. 30, 2020**

Related U.S. Application Data

(63) Continuation-in-part of application No. 29/742,034, filed on Oct. 3, 2019.

(51) **LOC (13) Cl.** **12-06**

(52) **U.S. Cl.**
USPC **D12/308**

(58) **Field of Classification Search**
USPC D12/308; D21/545

(Continued)

(56) **References Cited**

U.S. PATENT DOCUMENTS

3,088,710 A * 5/1963 Evans G03B 17/08
114/245
4,297,757 A * 11/1981 Palemon Camu B63C 9/06
114/138

(Continued)

OTHER PUBLICATIONS

20191023_144151 is a photographic image of a close up of the Triest DSV-0, showing the pressure sphere, located at the U.S. Naval Undersea Museum, Keyport WA. On information and belief, the Trieste launched in 1953.

(Continued)

Primary Examiner — Cynthia M. Chin
(74) *Attorney, Agent, or Firm* — Jeanne Suchodolski

(57) **CLAIM**

The ornamental design for a marine vehicle with shroud and top continuous lens, as shown and described.

DESCRIPTION

The present application is related to co-pending application Ser. Nos. 29/742,134; 29/742,130; and 29/742,138; to inventors Guild, Seeley, Ruiz and Harris, filed the same day herewith.

The present application is also related to co-pending application Ser. Nos. 29/742,132; 29/742,135; 29/742,133; and 29/742,131; to inventors, Guild, Seeley, and Ruiz, filed the same day herewith.

The invention described herein may be manufactured and used by or for the Government of the United States of America for governmental purposes without the payment of any royalties thereon or therefor.

FIG. 1 is a front perspective view of a marine vehicle with shroud and top continuous lens in accordance with the present invention;

FIG. 2 is a rear perspective view thereof wherein functional propeller features are shown in dashed lines;

FIG. 3 is a front view thereof;

FIG. 4 is a left side view thereof;

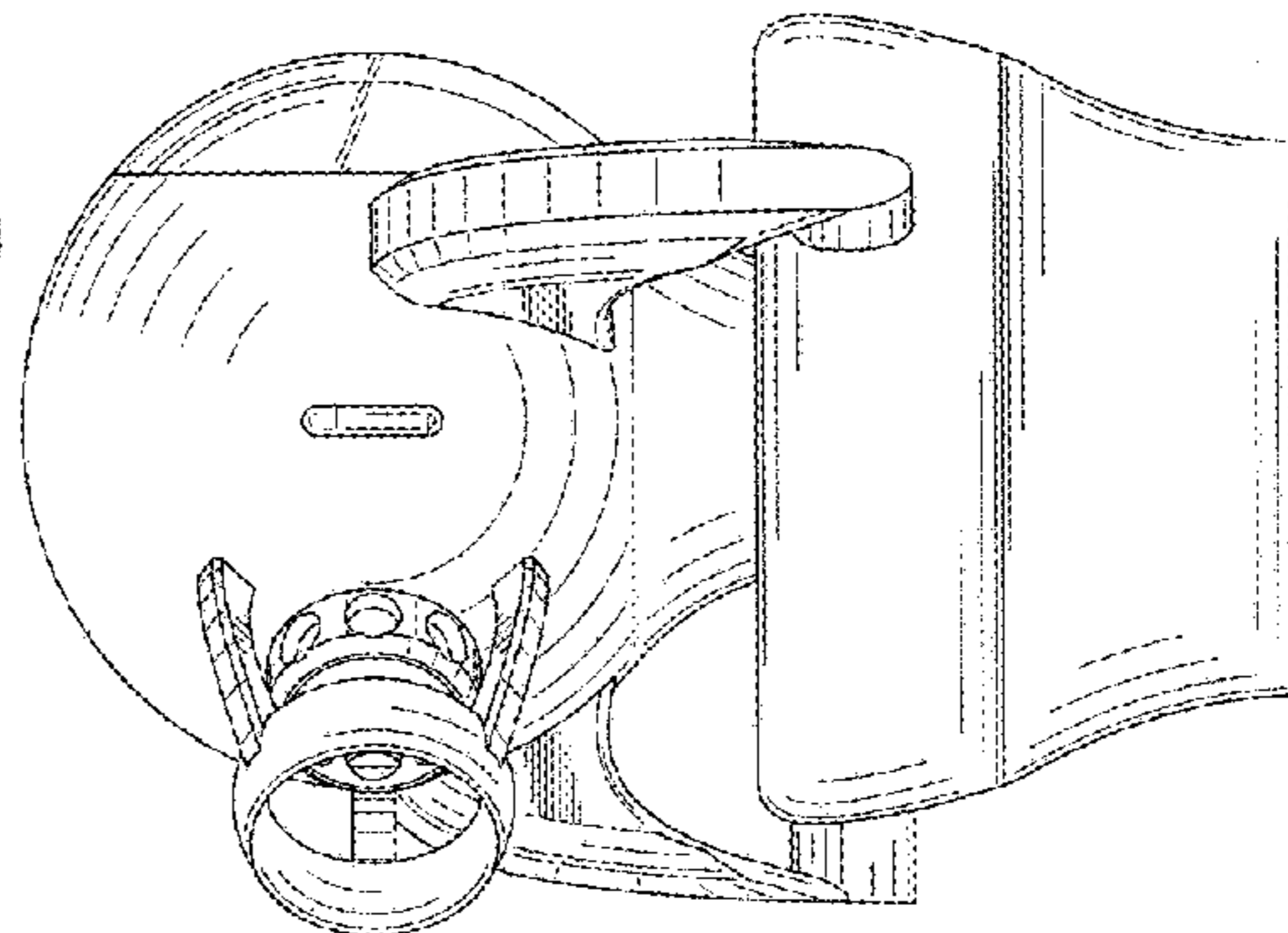
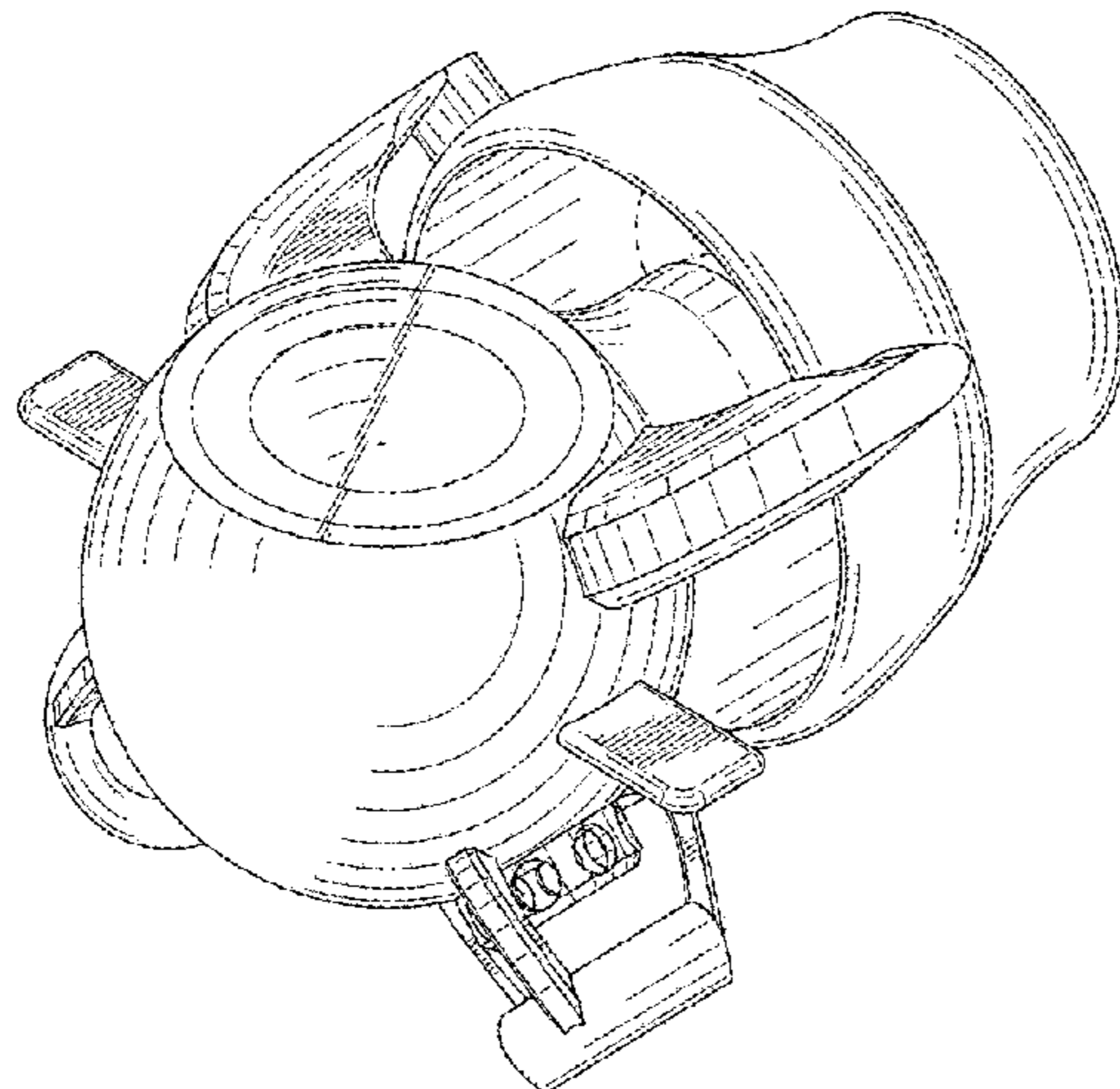
FIG. 5 is a rear view thereof wherein functional propeller features are shown in dashed lines;

FIG. 6 is a right side view thereof;

FIG. 7 is a top view thereof; and,

FIG. 8 is a bottom view thereof.

(Continued)



The broken lines are for the purpose of illustrating portions of the article that form no part of the claimed design.

1 Claim, 8 Drawing Sheets

(58) **Field of Classification Search**

CPC B63G 8/00; B63G 8/001; B63G 8/002;
B63G 8/004; B63G 8/005; B63G 8/41;
B63G 8/42; B63B 3/13; G03B 17/08

See application file for complete search history.

(56) **References Cited**

U.S. PATENT DOCUMENTS

D306,425	S *	3/1990	Walker	D12/308
D310,058	S *	8/1990	Thompson	D12/300
6,262,761	B1 *	7/2001	Zernov	G03B 15/03 348/61
D677,211	S *	3/2013	Tavares	D12/308
D865,633	S *	11/2019	Chen	D12/308
2002/0083880	A1 *	7/2002	Shelton	H01F 38/14 114/312
2006/0154534	A1 *	7/2006	Nugent	B63G 8/001 440/57
2007/0242134	A1 *	10/2007	Zernov	B63G 8/001 348/81
2009/0167861	A1 *	7/2009	Gal	B63G 8/001 348/143
2012/0008928	A1 *	1/2012	Ghali	G03B 17/08 396/27
2012/0048172	A1 *	3/2012	Lotz	B63G 8/001 114/330
2013/0204464	A1 *	8/2013	Mauck	A01K 15/02 701/2
2016/0229503	A1 *	8/2016	Sheard	B63G 8/22
2017/0174300	A1 *	6/2017	Moreno	G05D 1/0875
2018/0063429	A1 *	3/2018	Enriquez	G03B 31/00
2018/0074489	A1 *	3/2018	Buttet	B63C 11/52
2018/0203449	A1 *	7/2018	Tavares	B64D 47/08
2019/0011335	A1 *	1/2019	Tavares	G01N 1/12
2019/0127034	A1 *	5/2019	Larson	G01S 15/89
2019/0135393	A1 *	5/2019	Pieterkosky	B63J 99/00
2019/0323191	A1 *	10/2019	Cole	E02B 3/062
2020/0070942	A1 *	3/2020	Holloway	B63G 8/001

OTHER PUBLICATIONS

20091023_144157 is a photographic image of the Trieste DSV-0 located at the U.S. Naval Undersea Museum, Keyport WA. On information and belief, the Trieste was launched in 1953.

20091023_144612 is a photographic image of the Turtle DSV-3 located at the U.S. Naval Undersea Museum, Keyport WA. On information and belief, the Turtle was launched in 1968.

20091023_144633 is a photographic image of Deep Jeep, a torpedo recovery vehicle, located at the U.S. Naval Undersea Museum, Keyport WA. On information and belief, the Deep Jeep was used between 1964-1966.

20091023_144645 is a photographic image of the Alivin DSV-2 located at the U.S. Naval Undersea Museum, Keyport WA. On information and belief, the Alivin was launched in 1964.

20091023_144700 is a photographic image of the Trieste II DSV-1 located at the U.S. Naval Undersea Museum, Keyport WA. On information and belief, the Trieste II was launched in 1965.

20091023_144712 is a photographic image of the Turtle DSV-3 and the Sea Cliff DVS-4 located at the U.S. Naval Undersea Museum, Keyport WA. On information and belief, the Turtle and the Sea Cliff were launched in 1968.

20091023_152730 is a photographic image of the pressure sphere of the Trieste II DSV-1 located at the U.S. Naval Undersea Museum, Keyport WA. On information and belief, the Trieste II was launched in 1965.

Beebe's Bathysphere 1934 is a photographic image of Beebe & Barton's bathysphere cr. 1934. Image located at <https://www.history.navy.mil/content/history/nhhc/our-collections/photography/numerical-list-of-images/nhhc-series/nh-series/NH-114000/NH-114668.html>.

Bushnell's Turtle 1875 is a graphical depiction of David Bushnell's design, penned in 1875. On information and belief, the Bushnell's Turtle was launched in 1775. Image located at <https://www.history.navy.mil/research/library/online-reading-room/title-list-alphabetically/s/submarine-turtle-naval-doc>.

Bushnell's Turtle Reproduction is a graphical depiction of full-sized reproduction of Bushnell's Turtle, built in 2007. Image located at <https://www.history.navy.mil/research/library/online-reading-room/title-list-alphabetically/s/submarine-turtle-naval-documents.html>.

MK1 Deep Diving System is a photographic image of the MK 1 Deep Diving System Personnel Transfer Capsule, located at <https://www.flickr.com/photos/114229576@N07/33012346958/in/album-72157704680994871>. On information and belief photo was taken in 1970 during operations with the USS Gear.

MK 2 Deep Diving System is a photographic image of the MK 2 Deep Diving System Personnel Transfer Capsule, located at <https://www.flickr.com/photos/114229576@N07/45972481745/in/album-72157704680994871/>. On information and belief photo was taken in 1968 during operations with Sea Lab III.

Sooter, Tad, and Julianne Stanford, "Mystery mine found in an area with a long history of producing munitions", The Kitsap Sun, Aug. 29, 2018, The Kitsap Sun, Bremerton, WA, USA.

McCann Submarine Rescue Chamber is a graphical image of a submarine rescue chamber, located at <https://www.history.navy.mil/content/history/nhhc/our-collections/photography/numerical-list-of-images/nhhc-series/nh-series/NH-97000/NH-97291.html>. On information and belief, McCann SRC was used in 1939.

* cited by examiner

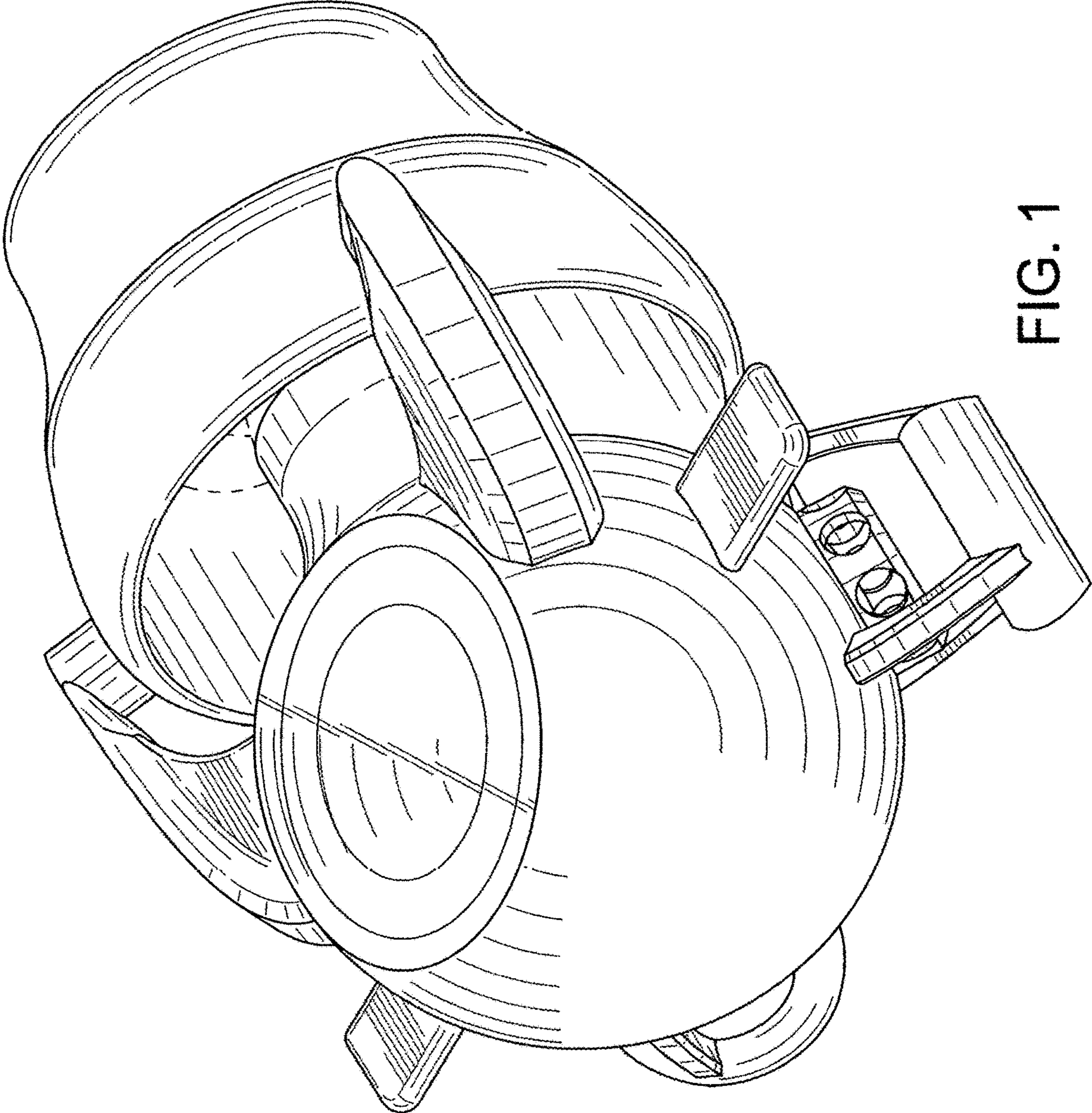


FIG. 1

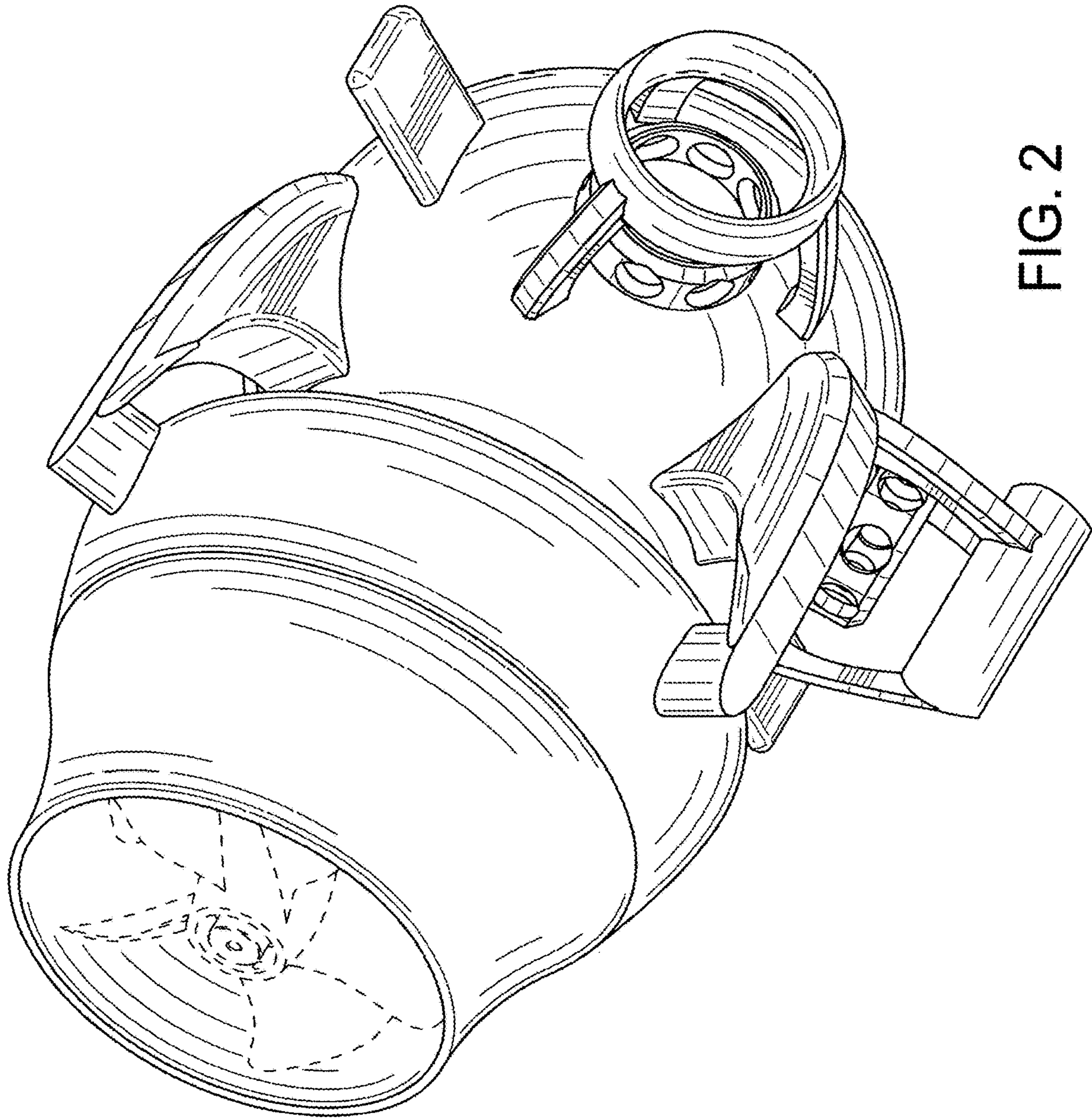


FIG. 2

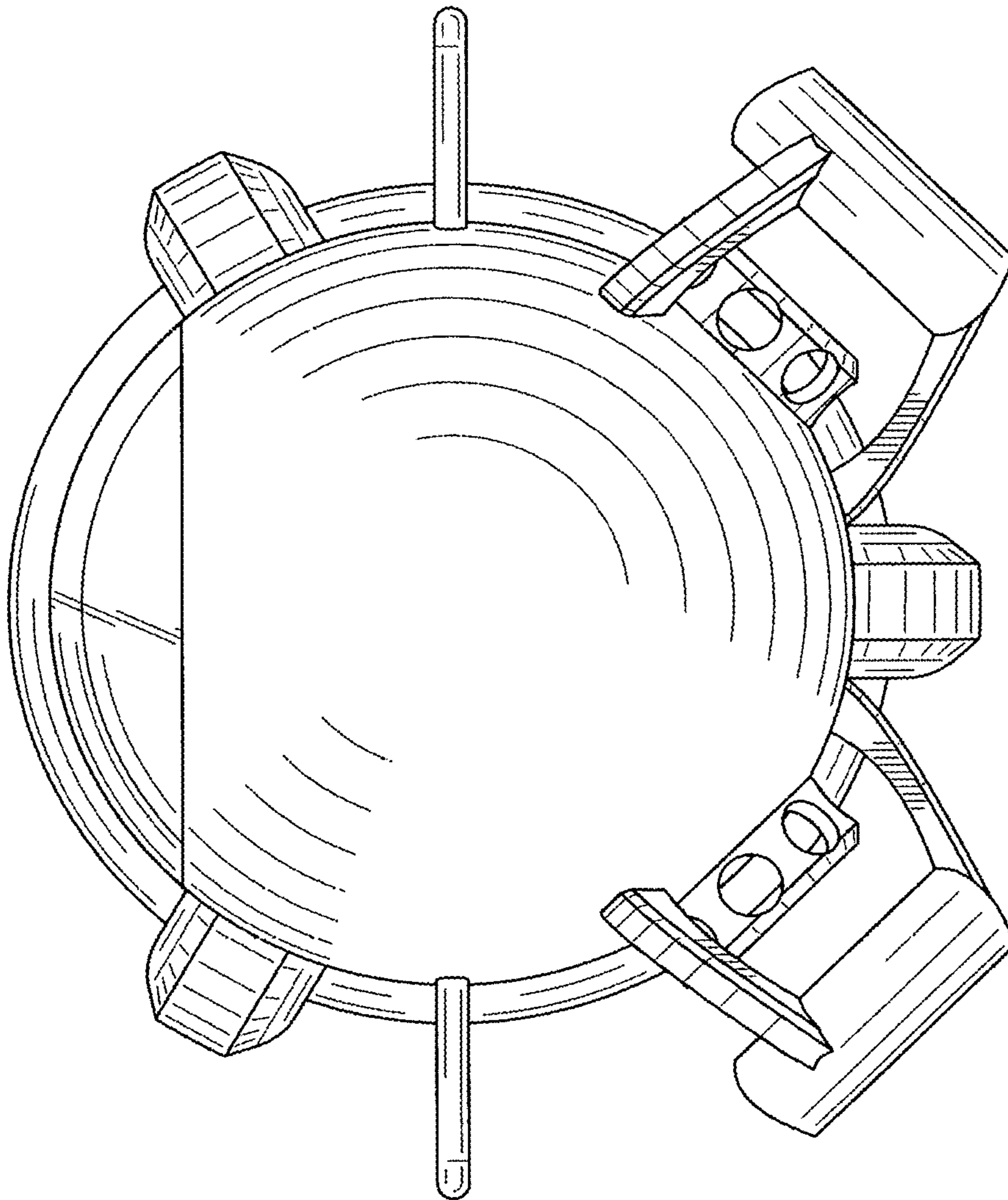


FIG. 3

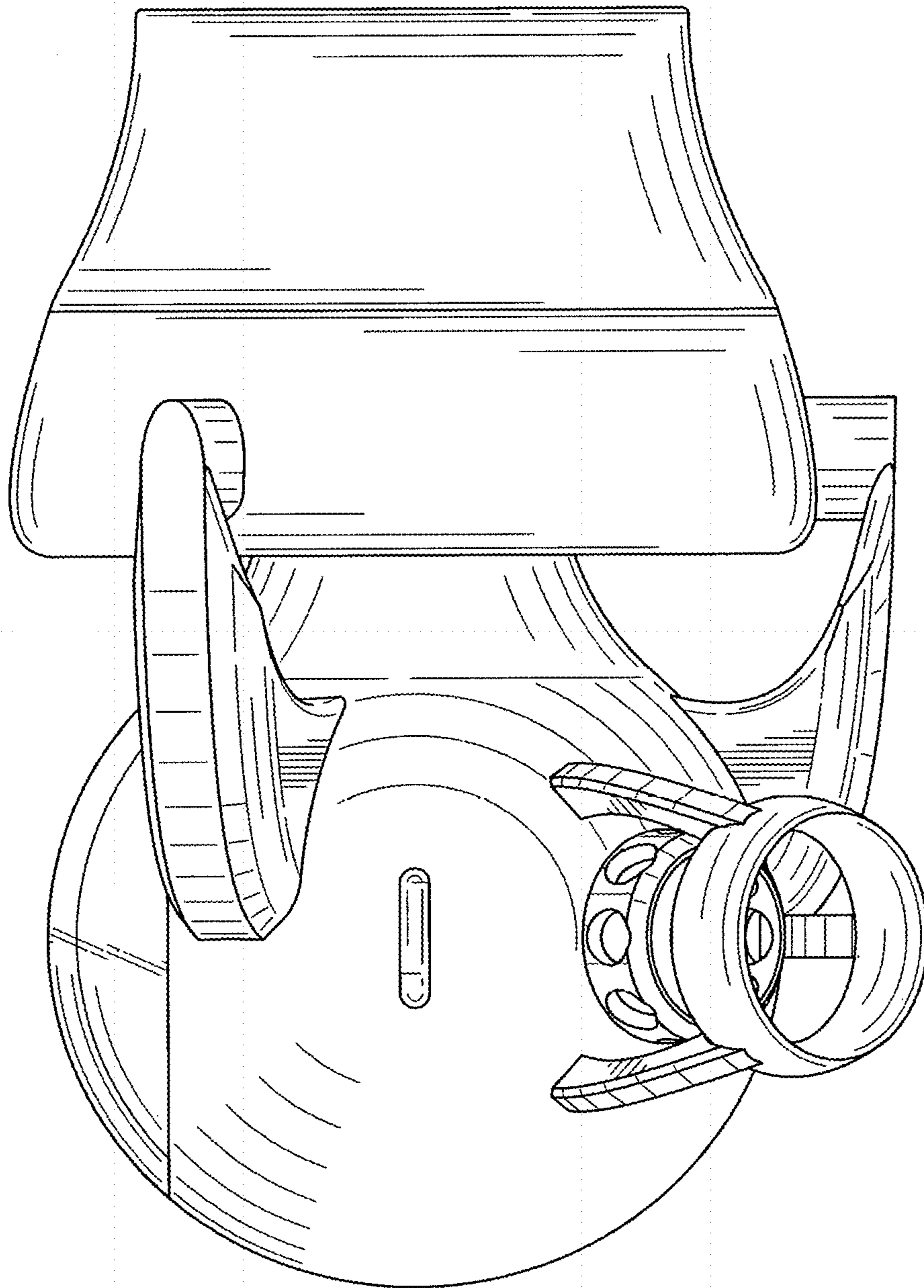


FIG. 4

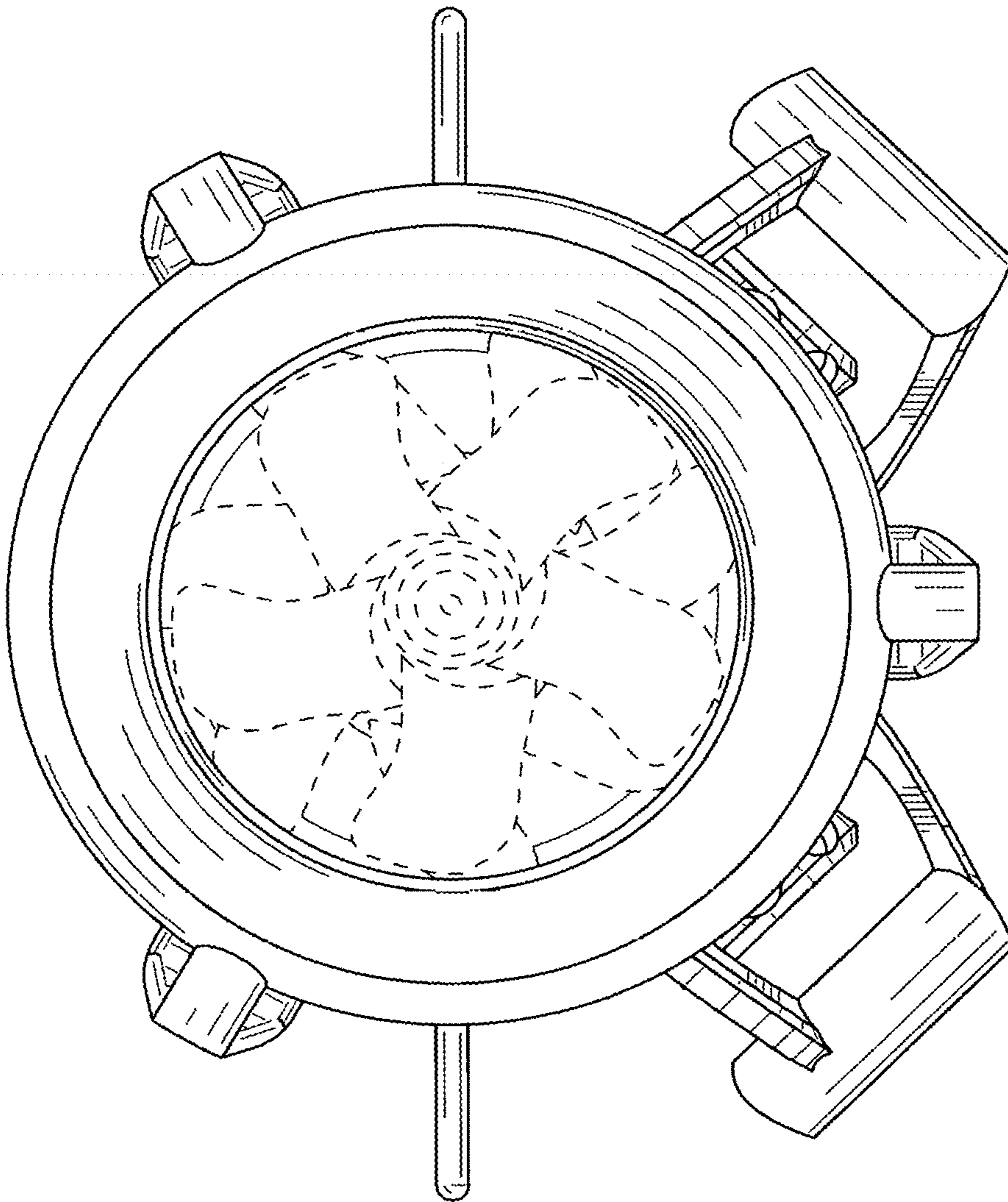


FIG. 5

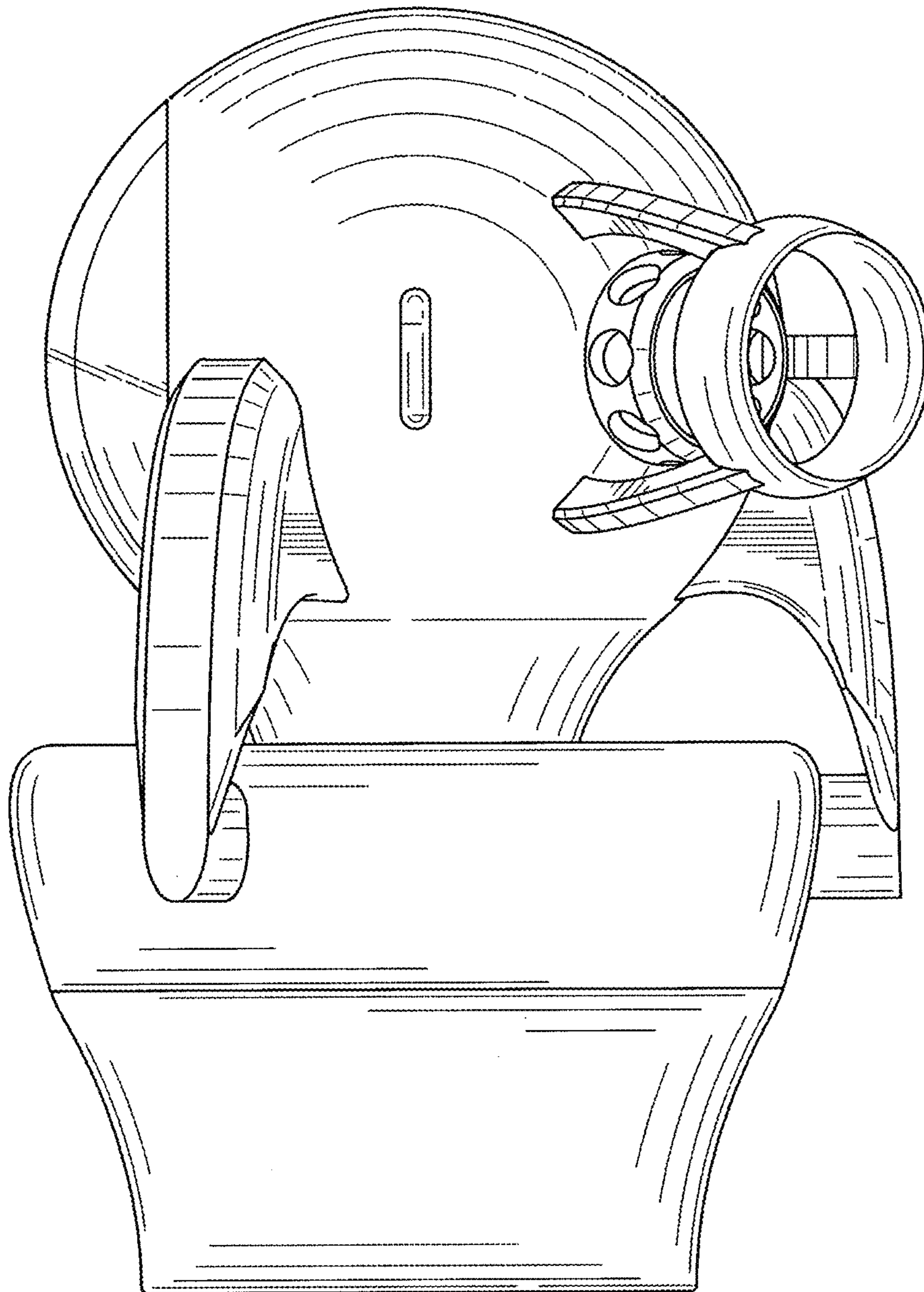


FIG. 6

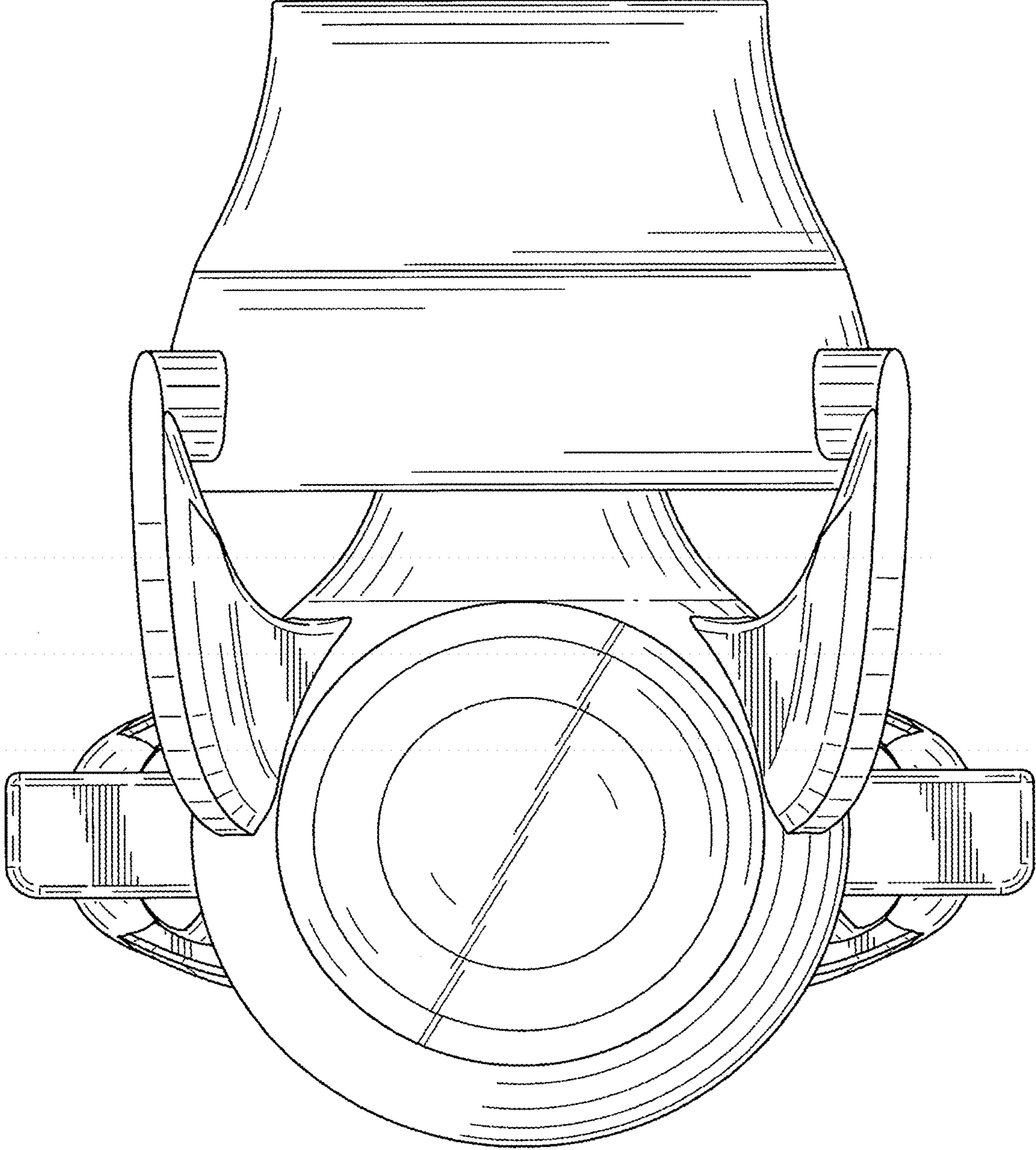


FIG. 7

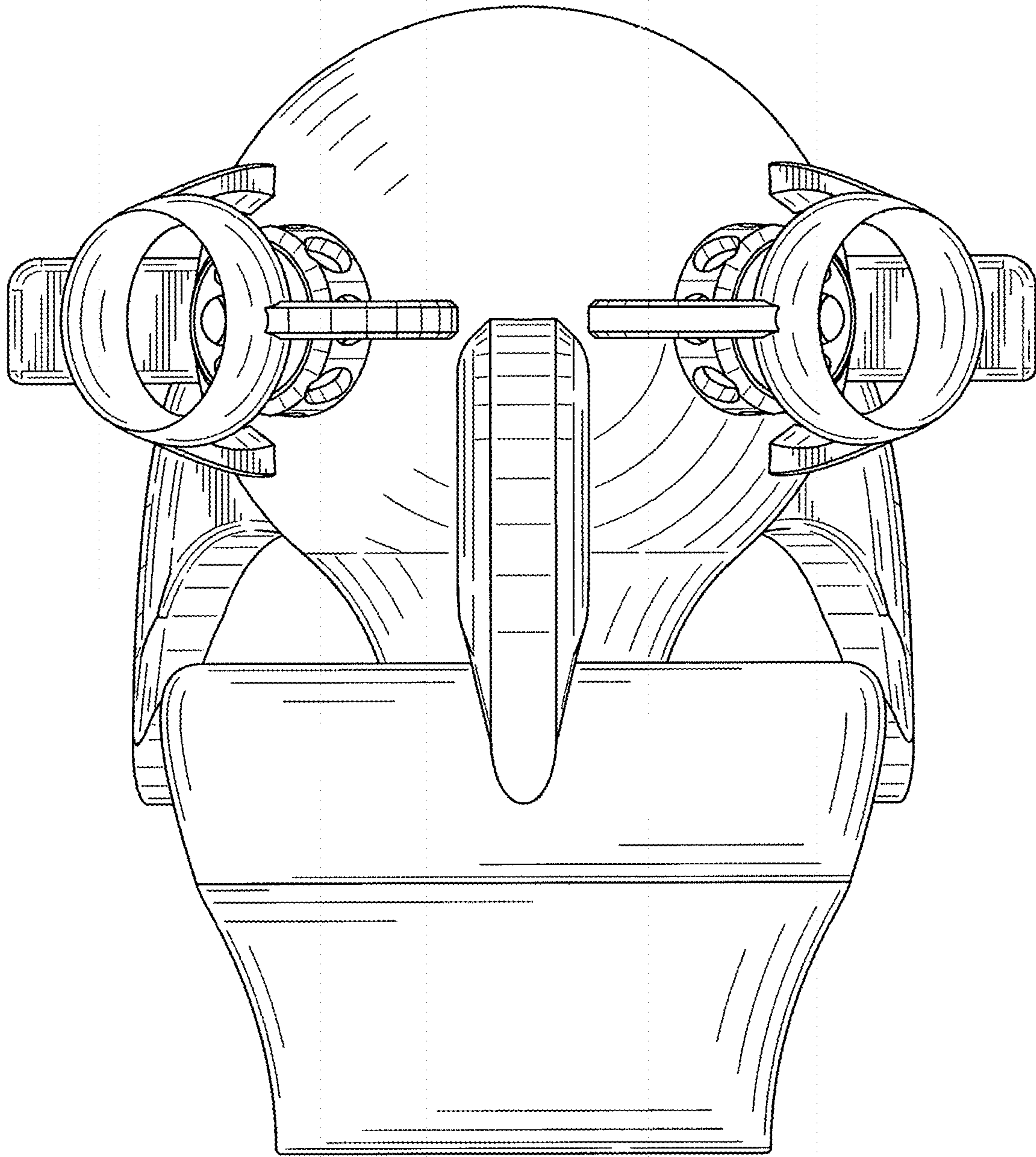


FIG. 8

UNITED STATES PATENT AND TRADEMARK OFFICE
CERTIFICATE OF CORRECTION

PATENT NO. : D928,690 S
APPLICATION NO. : 29/742129
DATED : August 24, 2021
INVENTOR(S) : Jennifer A. Guild et al.

Page 1 of 1

It is certified that error appears in the above-identified patent and that said Letters Patent is hereby corrected as shown below:

On the Title Page

The inventors item (72) should include the following:

Jennifer A. Guild Poulsbo, WA (US);
Eric E. Seeley Seabeck, WA (US);
Jose M. Ruiz Bremerton, WA (US);
Logan Harris Tacoma, WA (US); and,
Joel R. Gies Spokane, WA (US).

Column 2, The attorney, agent or firm item (74) should include the following:

Stephen J. Leahu, Naval Undersea Warfare Center, Keyport Division, NAVSEA, U.S. Navy.

Signed and Sealed this
Twenty-ninth Day of March, 2022



Drew Hirshfeld
*Performing the Functions and Duties of the
Under Secretary of Commerce for Intellectual Property and
Director of the United States Patent and Trademark Office*