



US00D928688S

(12) **United States Design Patent**
Doyle et al.

(10) **Patent No.:** **US D928,688 S**

(45) **Date of Patent:** **** Aug. 24, 2021**

(54) **SAILBOAT**

(71) Applicant: **Velum Limited**, Geneva (CH)

(72) Inventors: **Robbie Doyle**, Salem, MA (US);
William Tripp, Amsterdam (NL)

(73) Assignee: **Velum Limited**, Geneva (CH)

(**) Term: **15 Years**

(21) Appl. No.: **29/680,222**

(22) Filed: **Feb. 14, 2019**

(30) **Foreign Application Priority Data**

Aug. 24, 2018 (GB) 6042302

(51) **LOC (13) Cl.** **12-06**

(52) **U.S. Cl.**
USPC **D12/303**

(58) **Field of Classification Search**
USPC D12/300, 303, 307, 310, 317, 318, 304,
D12/306, 308, 312, 313, 314, 315, 316,
D12/413; D14/300; D21/542, 544
CPC B63B 1/00; B63B 1/042; B63B 1/125;
B63B 7/00; B63B 34/10; B63B 34/14;
B63H 8/00; B63H 9/00

See application file for complete search history.

(56) **References Cited**

U.S. PATENT DOCUMENTS

- 1,613,890 A * 1/1927 Herreshoff B63B 15/0083
114/39.31
- D179,618 S * 1/1957 Wendt D12/303
- 3,090,340 A * 5/1963 McCutchen B63H 9/069
114/102.16
- D198,609 S * 7/1964 Hamilton et al. D12/303
- D205,255 S * 7/1966 Shelley D12/303
- 3,291,088 A * 12/1966 Klose B63B 34/20
114/39.25

- D206,775 S * 1/1967 Pyle D12/303
- D212,345 S * 10/1968 Best D12/303
- D218,718 S * 9/1970 Pyle D12/303
- D219,315 S * 11/1970 Mull D12/303
- D223,517 S * 4/1972 Crealock D12/303
- D223,518 S * 4/1972 Crealock D12/303
- 3,867,894 A * 2/1975 Vicard B63B 3/38
114/102.18
- 4,122,792 A * 10/1978 Rhoades B63H 9/04
114/102.13

(Continued)

OTHER PUBLICATIONS

Topaz Uno & Race, www.topazsailboats.com [online]. Published on or before Apr. 21, 2020, [retrieved on Apr. 21, 2020], Retrieved from the Internet: <URL:https://www.topazsailboats.com/why-topaztopper/topaz-uno-race/> (Year: 2020).*

(Continued)

Primary Examiner — Michael A. Pratt
Assistant Examiner — Adam C Mager
(74) *Attorney, Agent, or Firm* — Ulmer & Berne LLP;
Brian Turung; Eric Robbins

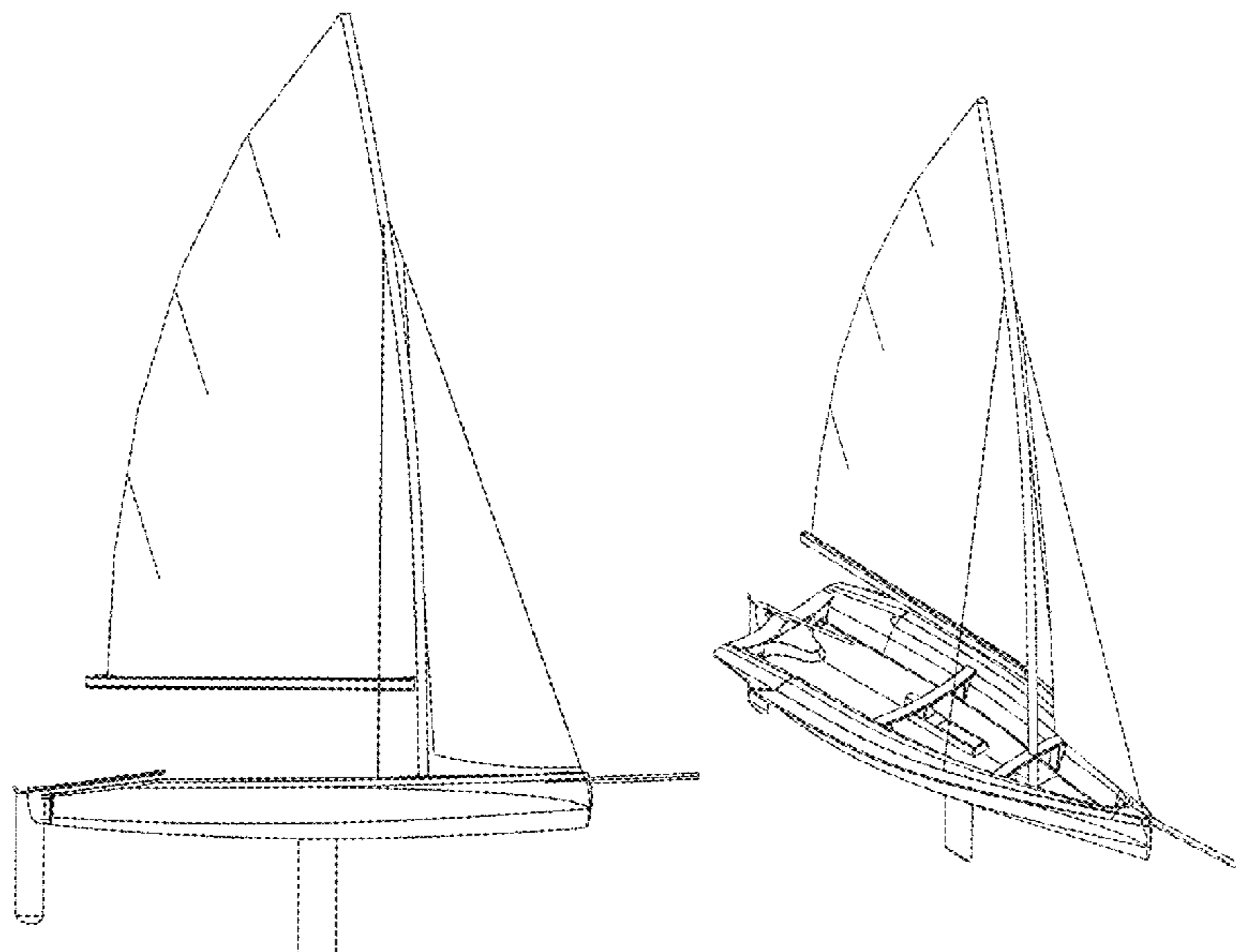
(57) **CLAIM**

The ornamental design for a sailboat, as shown and described.

DESCRIPTION

FIG. 1 is a front view of a sailboat, showing the new design; FIG. 2 is a bottom view of the sailboat; FIG. 3 is a rear view of the sailboat; FIG. 4 is a right side view of the sailboat; FIG. 5 is a top view of the sailboat; and, FIG. 6 is a front top perspective view of the sailboat. The portions of the boat shown in broken lines form no part of the claimed design.

1 Claim, 6 Drawing Sheets



(56)

References Cited

U.S. PATENT DOCUMENTS

4,702,193 A * 10/1987 Jones B63B 7/06
114/354
D304,922 S * 12/1989 Kirby D12/303
D305,751 S * 1/1990 Roberson D12/303
D313,219 S * 12/1990 Emelyanov D12/303
5,211,123 A * 5/1993 Greenwood B63B 32/68
114/39.15
D373,156 S * 8/1996 Kirby D21/544
D416,851 S * 11/1999 Mitchell D12/300
6,189,472 B1 * 2/2001 Duncan B63H 9/06
114/102.16
D514,499 S * 2/2006 Valdes D12/303
D571,707 S * 6/2008 Croci D12/303

D822,578 S * 7/2018 Crane D12/303
2011/0168072 A1 * 7/2011 Cross B63H 9/08
114/102.12
2019/0176935 A1 * 6/2019 Schmidt B63B 17/00

OTHER PUBLICATIONS

RS Venture, www.rssailing.com [online]. Published on or before Apr. 21, 2020, [retrieved on Apr. 21, 2020], Retrieved from the Internet: <URL:<https://www.rssailing.com/project/rs-venture/>> (Year: 2020).*

Laser Bahia Shoreline Sailboats, shorelinesailboats.com [online]. Published on Feb. 21, 2015, [retrieved on Apr. 21, 2020], Retrieved from the Internet: <URL:<https://http://shorelinesailboats.com/2015/02/laser-bahia/>> (Year: 2015).*

* cited by examiner

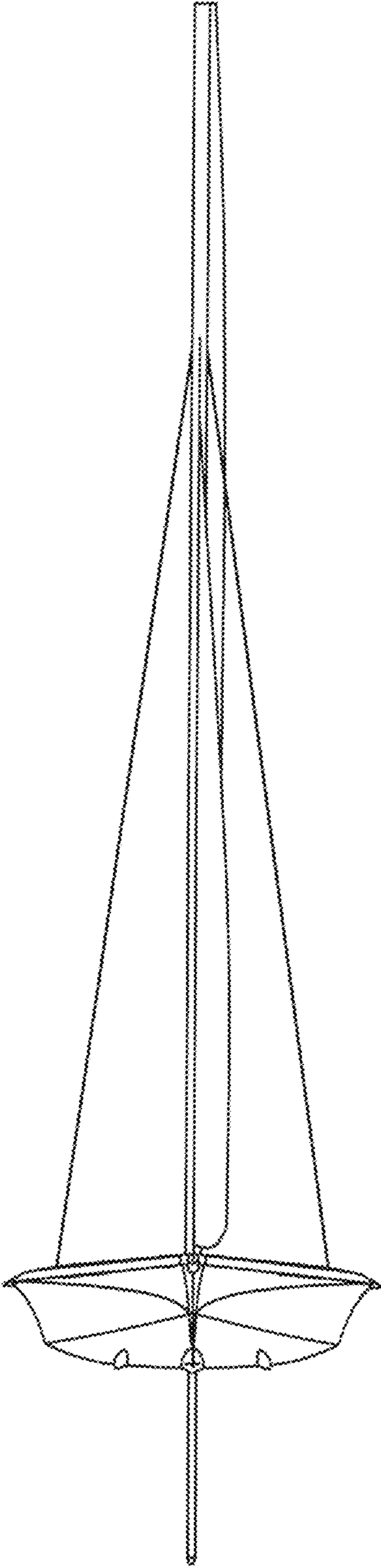


FIG. 1

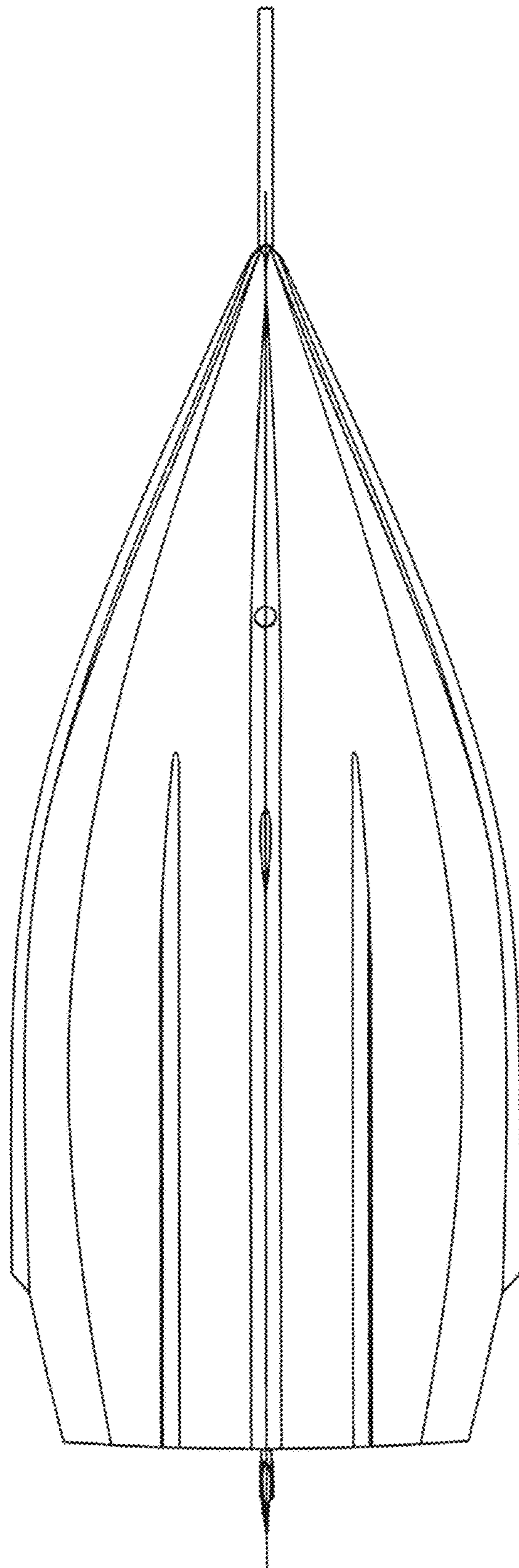


FIG. 2

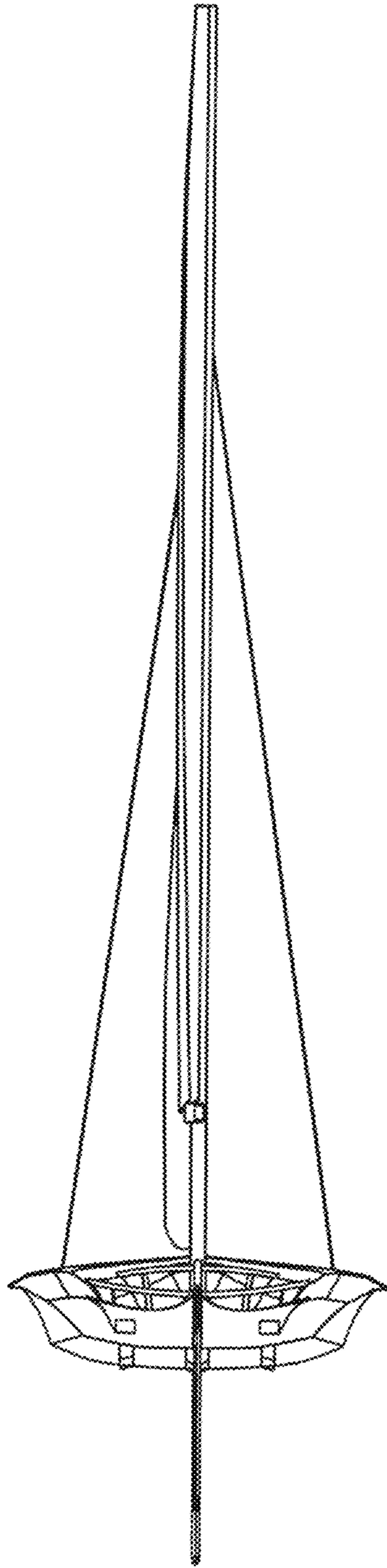


FIG. 3

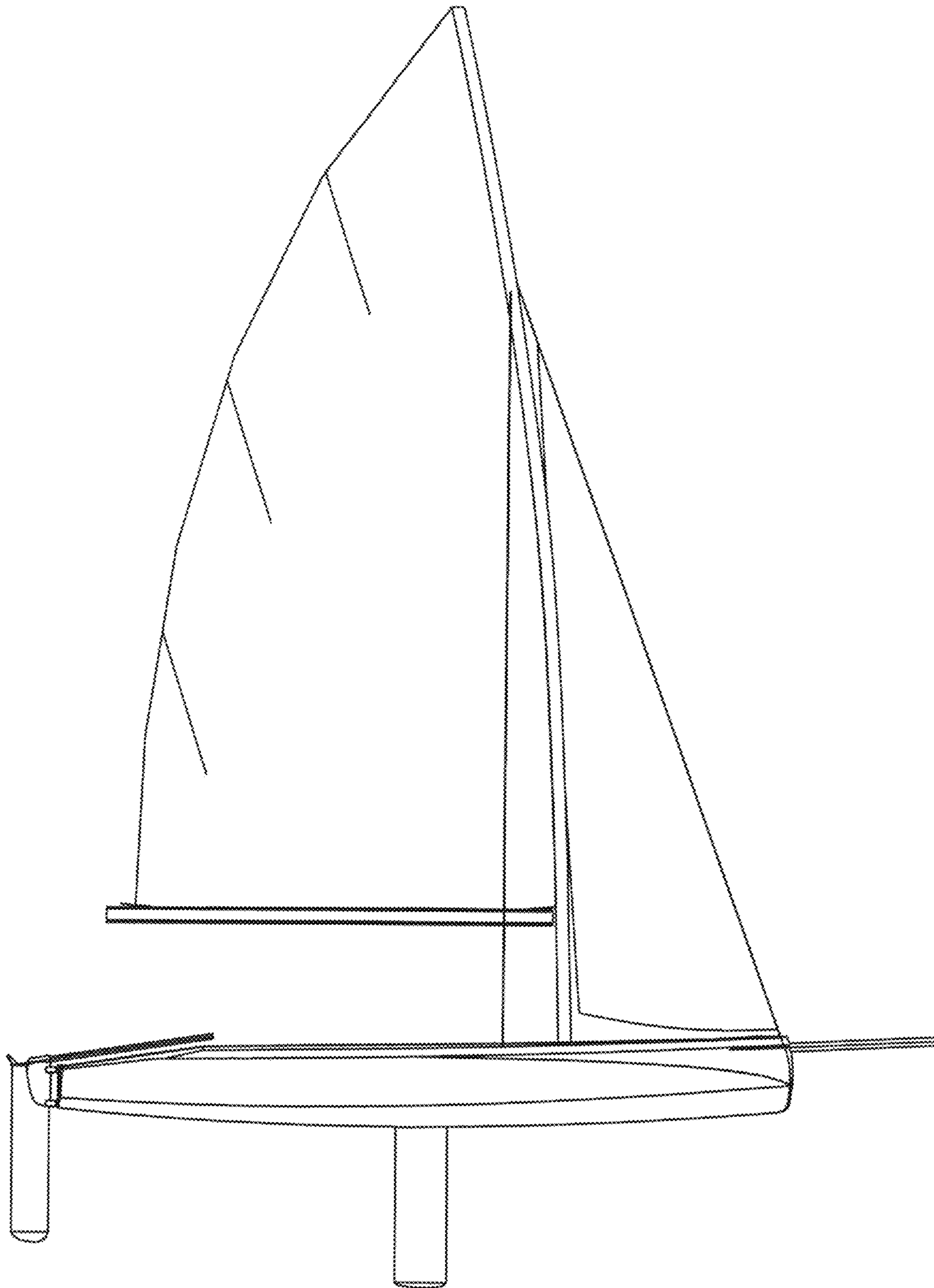


FIG. 4

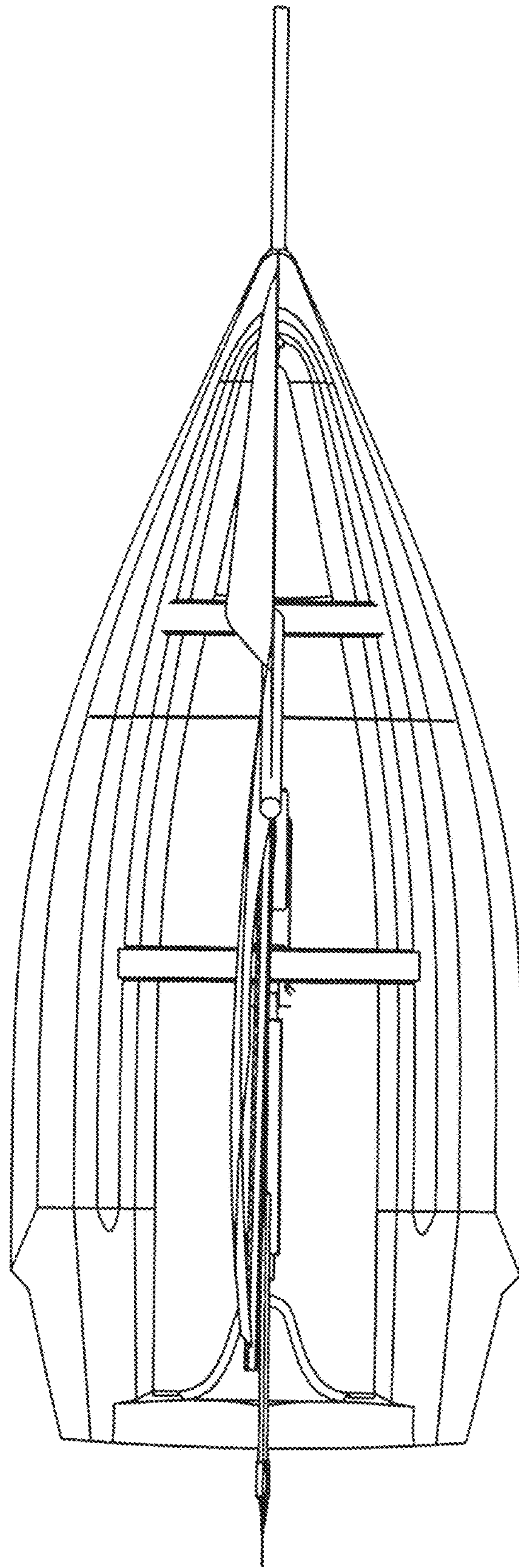


FIG. 5

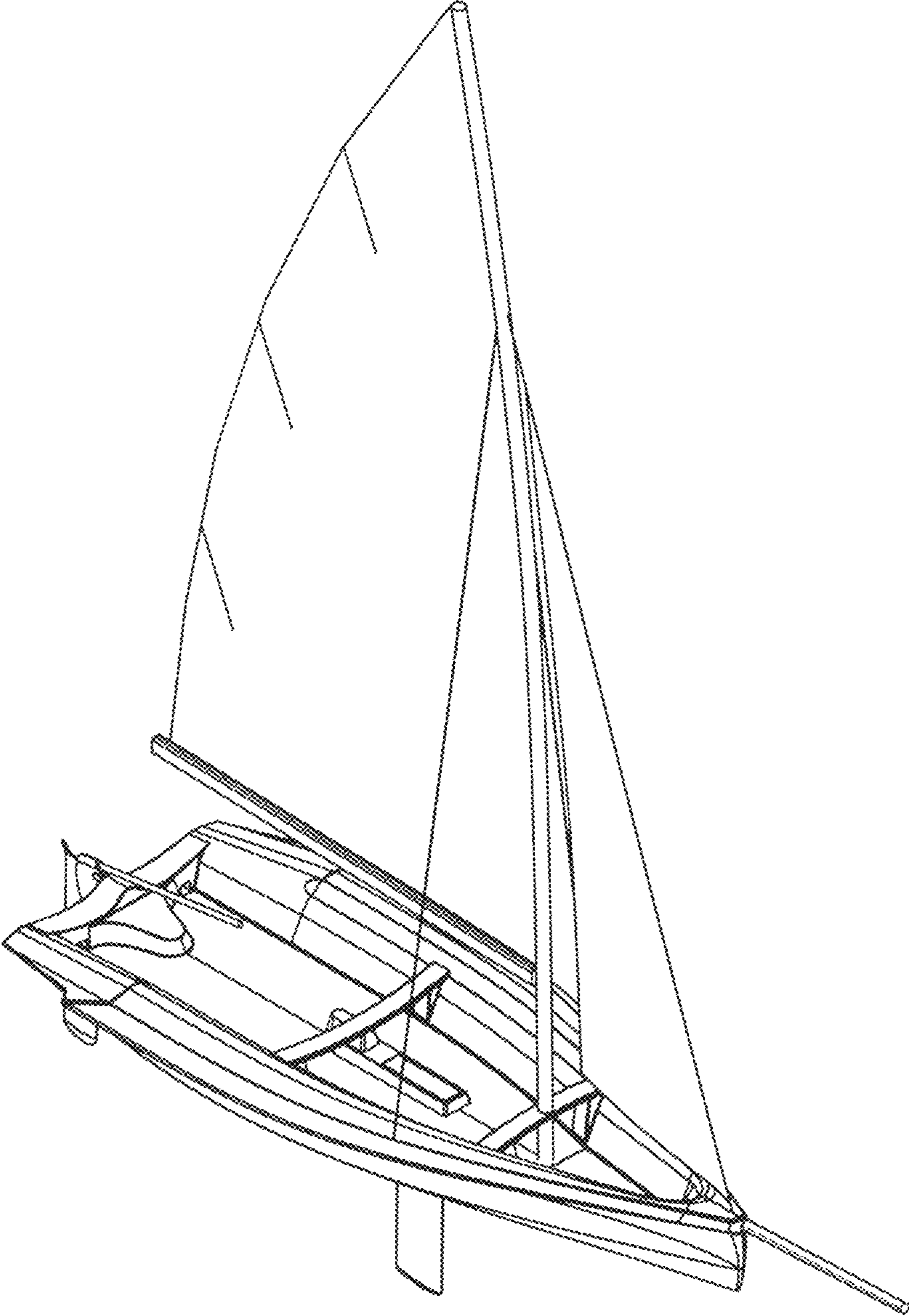


FIG. 6