



US00D928687S

(12) **United States Design Patent**  
**Podlovits**

(10) **Patent No.:** **US D928,687 S**

(45) **Date of Patent:** **\*\* Aug. 24, 2021**

(54) **WHEEL FRONT FACE**

(71) Applicant: **Joseph F. Podlovits**, Brea, CA (US)

(72) Inventor: **Joseph F. Podlovits**, Brea, CA (US)

(73) Assignee: **WHEEL GROUP HOLDINGS, LLC**,  
Ontario, CA (US)

(\*\*) Term: **15 Years**

(21) Appl. No.: **29/753,558**

(22) Filed: **Sep. 30, 2020**

(51) **LOC (13) Cl.** ..... **12-16**

(52) **U.S. Cl.**  
USPC ..... **D12/209**

(58) **Field of Classification Search**  
USPC ..... D12/204–213; D21/563  
CPC .... B60B 7/00; B60B 7/02; B60B 7/04; B60B  
7/01; B60B 7/06; B60B 3/02; B60B 3/04;  
B60B 3/06; B60B 3/10; B60B 1/00;  
B60B 1/08; B60B 1/10; B60B 1/12  
See application file for complete search history.

(56) **References Cited**

**U.S. PATENT DOCUMENTS**

D719,893 S	*	12/2014	Kim	.....	D12/211
D738,280 S	*	9/2015	Hale	.....	D12/209
D789,270 S	*	6/2017	Hodges	.....	D12/209
D828,270 S	*	9/2018	Aslam	.....	D12/211
D830,272 S	*	10/2018	Aslam	.....	D12/211
D830,941 S	*	10/2018	Hamilton	.....	D12/211

D831,558 S	*	10/2018	Starr, Jr.	.....	D12/209
D842,201 S	*	3/2019	Han	.....	D12/209
D849,638 S	*	5/2019	Ranum	.....	D12/209
D856,255 S	*	8/2019	Johnson	.....	D12/209
D856,891 S	*	8/2019	Zhao	.....	D12/209
D860,907 S	*	9/2019	Han	.....	D12/209
D863,184 S	*	10/2019	Han	.....	D12/209
D870,632 S	*	12/2019	Ash	.....	D12/209
D871,300 S	*	12/2019	Ash	.....	D12/209
D878,270 S	*	3/2020	Han	.....	D12/209
D886,705 S	*	6/2020	Williams	.....	D12/209
D890,064 S	*	7/2020	Williams	.....	D12/209
D893,386 S	*	8/2020	Chung	.....	D12/209
D912,594 S	*	3/2021	Ranum	.....	D12/209
D921,554 S	*	6/2021	Hale	.....	D12/209
D922,927 S	*	6/2021	Kaoud	.....	D12/209

\* cited by examiner

*Primary Examiner* — Stacia A Cadmus

(74) *Attorney, Agent, or Firm* — Law Offices of S.J.  
Christine Yang

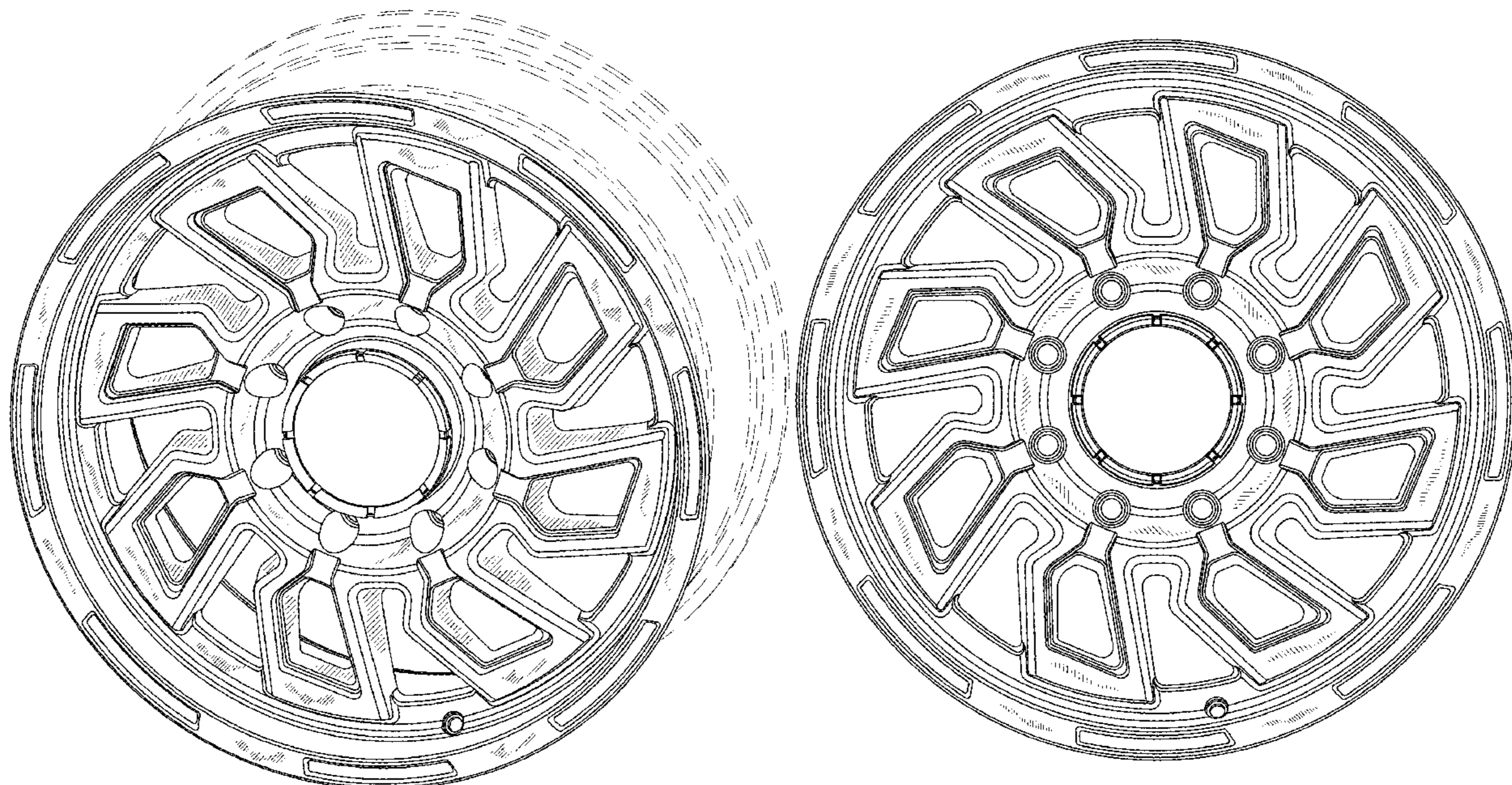
(57) **CLAIM**

The ornamental design for a wheel front face, as shown and described.

**DESCRIPTION**

FIG. 1 is a perspective view of a wheel front face, showing my new design;  
FIG. 2 is a front view thereof; and,  
FIG. 3 is a side view thereof.  
In the drawings the broken lines depict portions of the wheel that form no part of the claimed design.

**1 Claim, 3 Drawing Sheets**





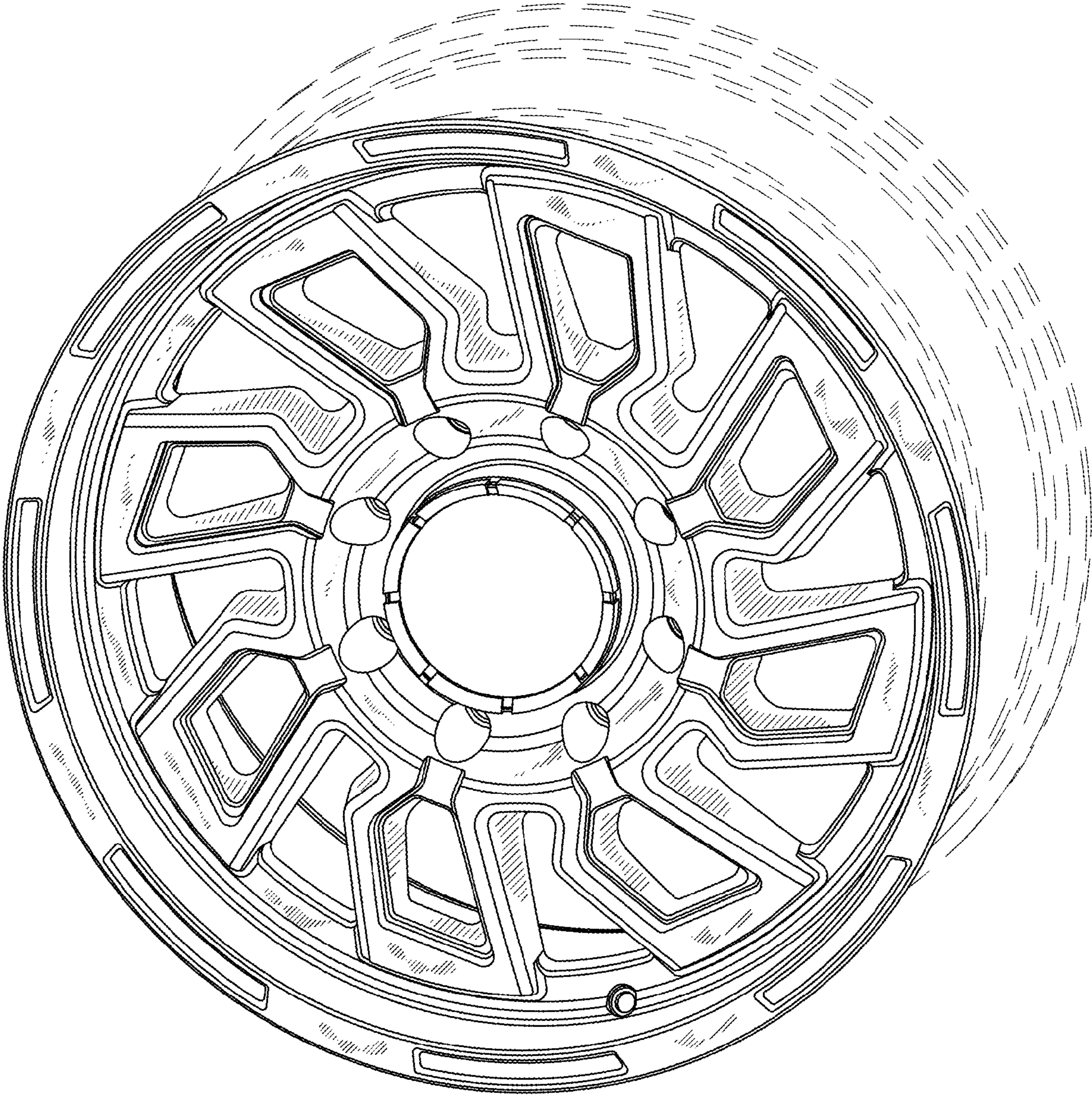


FIG. 1



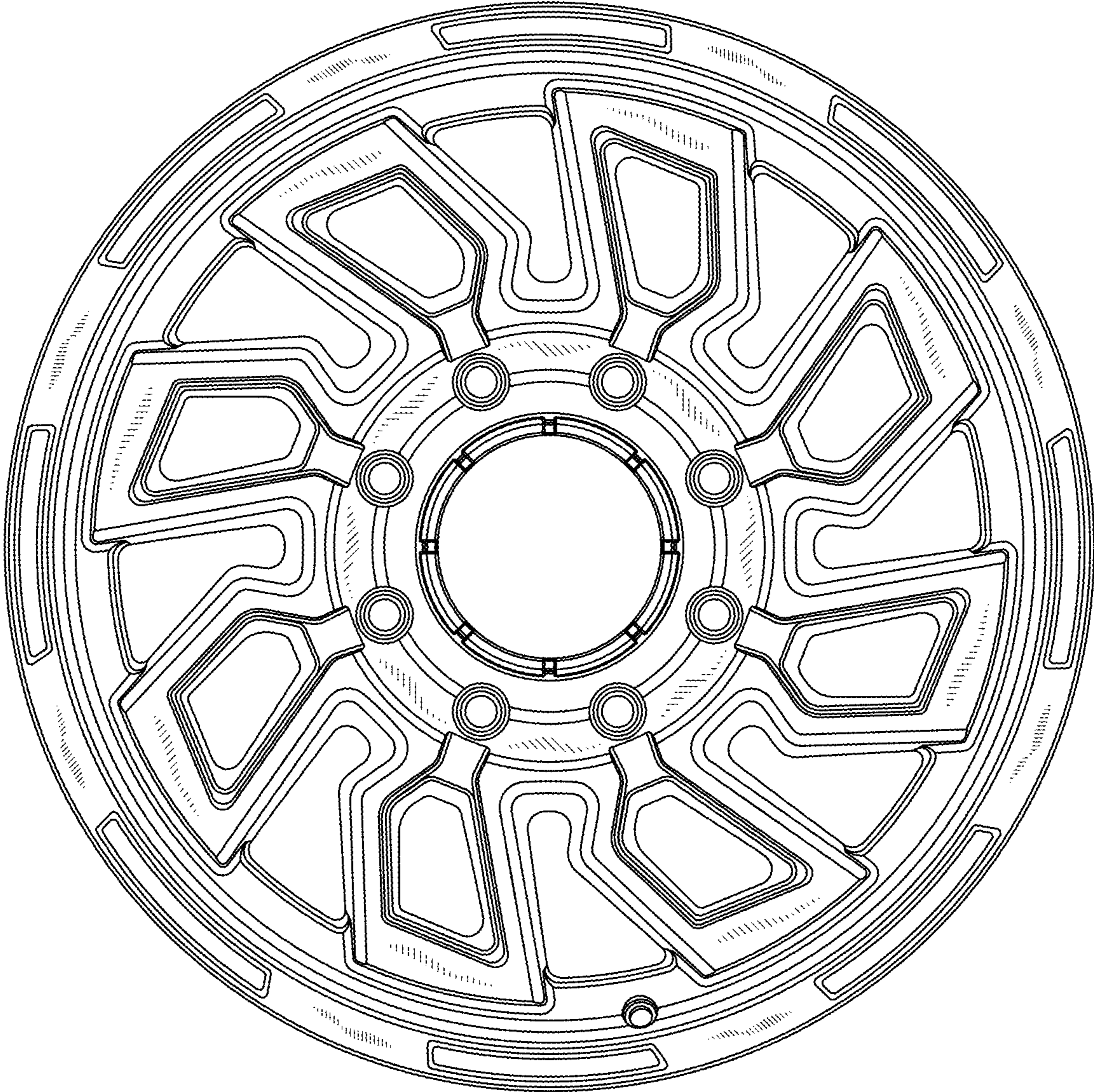


FIG. 2

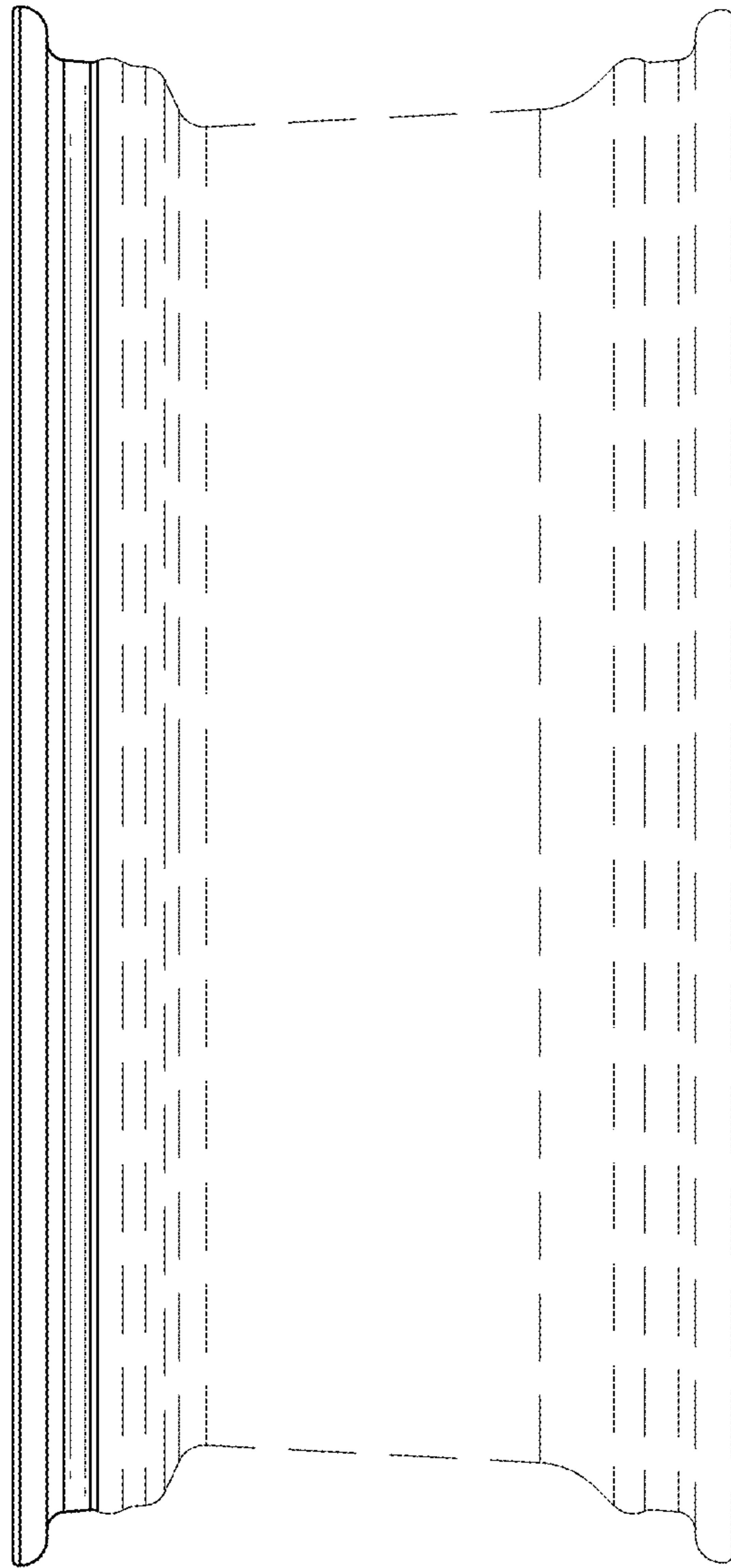


FIG. 3