



US00D928681S

(12) **United States Design Patent**  
**Yeh**

(10) **Patent No.:** **US D928,681 S**

(45) **Date of Patent:** **\*\* \*Aug. 24, 2021**

(54) **WHEEL FRONT FACE**

(71) Applicant: **WHEEL GROUP HOLDINGS, LLC,**  
Ontario, CA (US)

(72) Inventor: **Bruce Yeh,** Ontario, CA (US)

(73) Assignee: **WHEEL GROUP HOLDINGS, LLC,**  
Ontario, CA (US)

(\*) Notice: This patent is subject to a terminal disclaimer.

(\*\*) Term: **15 Years**

(21) Appl. No.: **29/627,803**

(22) Filed: **Nov. 29, 2017**

(51) **LOC (13) Cl.** ..... **12-16**

(52) **U.S. Cl.**  
USPC ..... **D12/209**

(58) **Field of Classification Search**  
USPC ..... D12/204-213; D21/563  
CPC .... B60B 7/00; B60B 7/02; B60B 7/04; B60B 7/01;  
B60B 7/06; B60B 3/02; B60B 3/04; B60B 3/06;  
B60B 3/10; B60B 1/00; B60B 1/08; B60B 1/10; B60B 1/12  
See application file for complete search history.

(56) **References Cited**

**U.S. PATENT DOCUMENTS**

D546,748 S \* 7/2007 Young ..... D12/211  
D560,588 S \* 1/2008 Cheng ..... D12/209

D569,323 S \* 5/2008 Laengerer ..... D12/211  
D578,455 S \* 10/2008 Pfeiffer ..... D12/211  
D618,156 S \* 6/2010 Zhao ..... D12/211  
D620,418 S \* 7/2010 Borkert ..... D12/209  
D670,225 S \* 11/2012 Muller ..... D12/211  
D670,226 S \* 11/2012 Muller ..... D12/211  
D733,632 S \* 7/2015 Juergens ..... D12/211  
D756,882 S \* 5/2016 Tirado ..... D12/211  
D763,164 S \* 8/2016 Chung ..... D12/211  
D782,386 S \* 3/2017 Zhao ..... D12/211

\* cited by examiner

*Primary Examiner* — Stacia A Cadmus

(74) *Attorney, Agent, or Firm* — Law Offices of S.J. Christine Yang

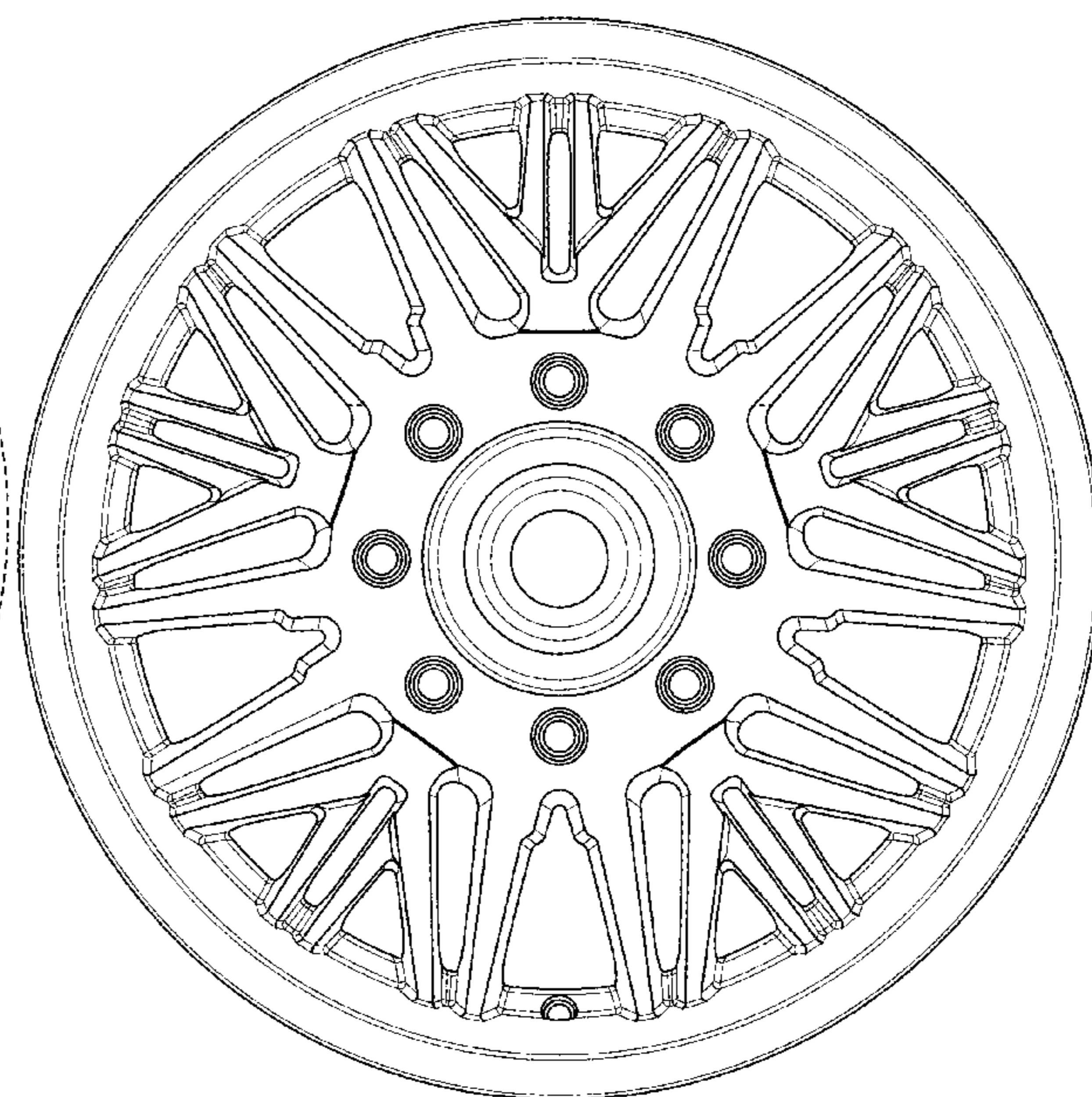
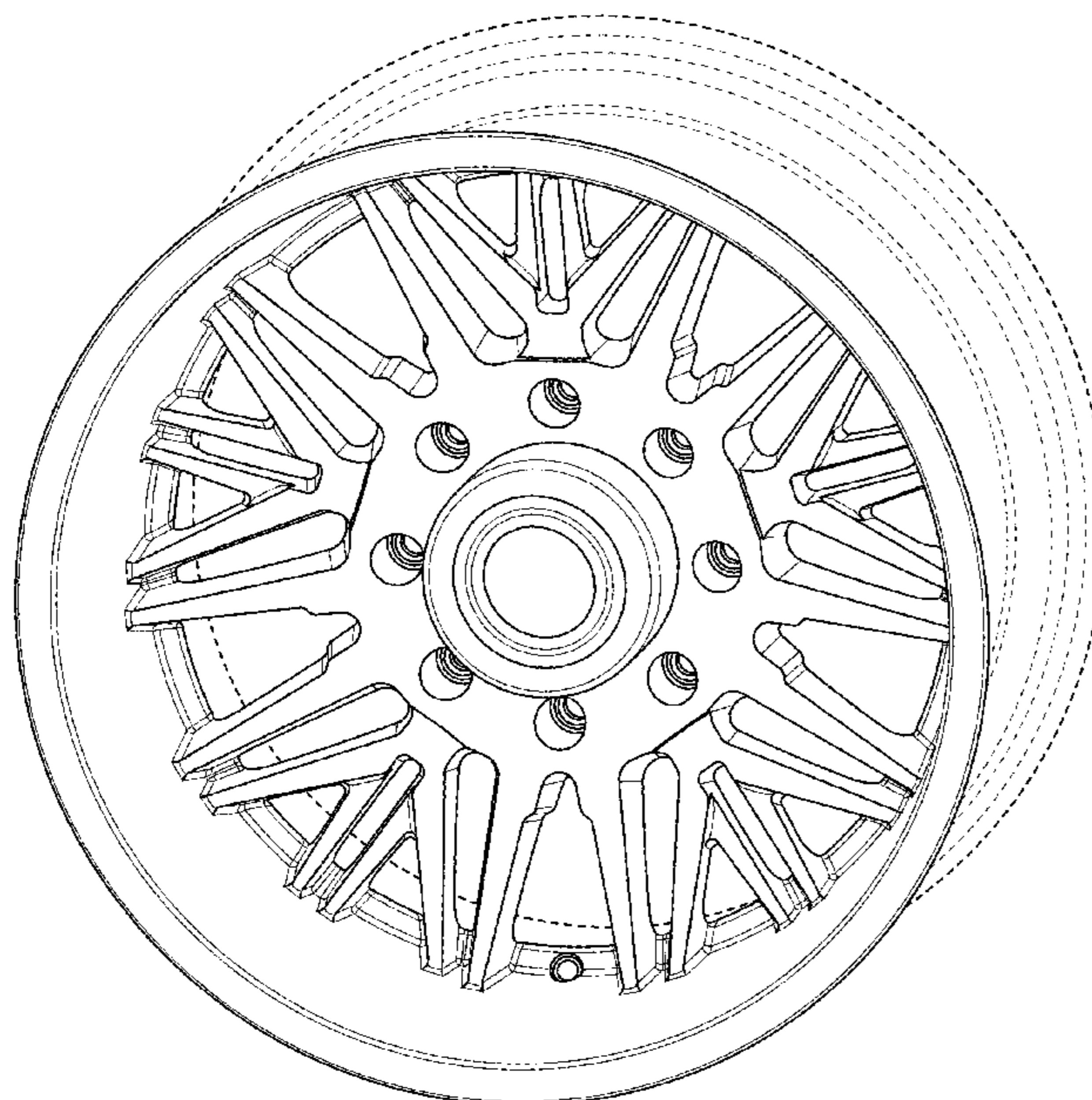
(57) **CLAIM**

The ornamental design for a wheel front face, as shown and described.

**DESCRIPTION**

FIG. 1 is a perspective view of a wheel front face, showing my new design;  
FIG. 2 is a front view thereof; and,  
FIG. 3 is a side view thereof.  
In the drawings the broken lines depict portions of the wheel that form no part of the claimed design.

**1 Claim, 3 Drawing Sheets**



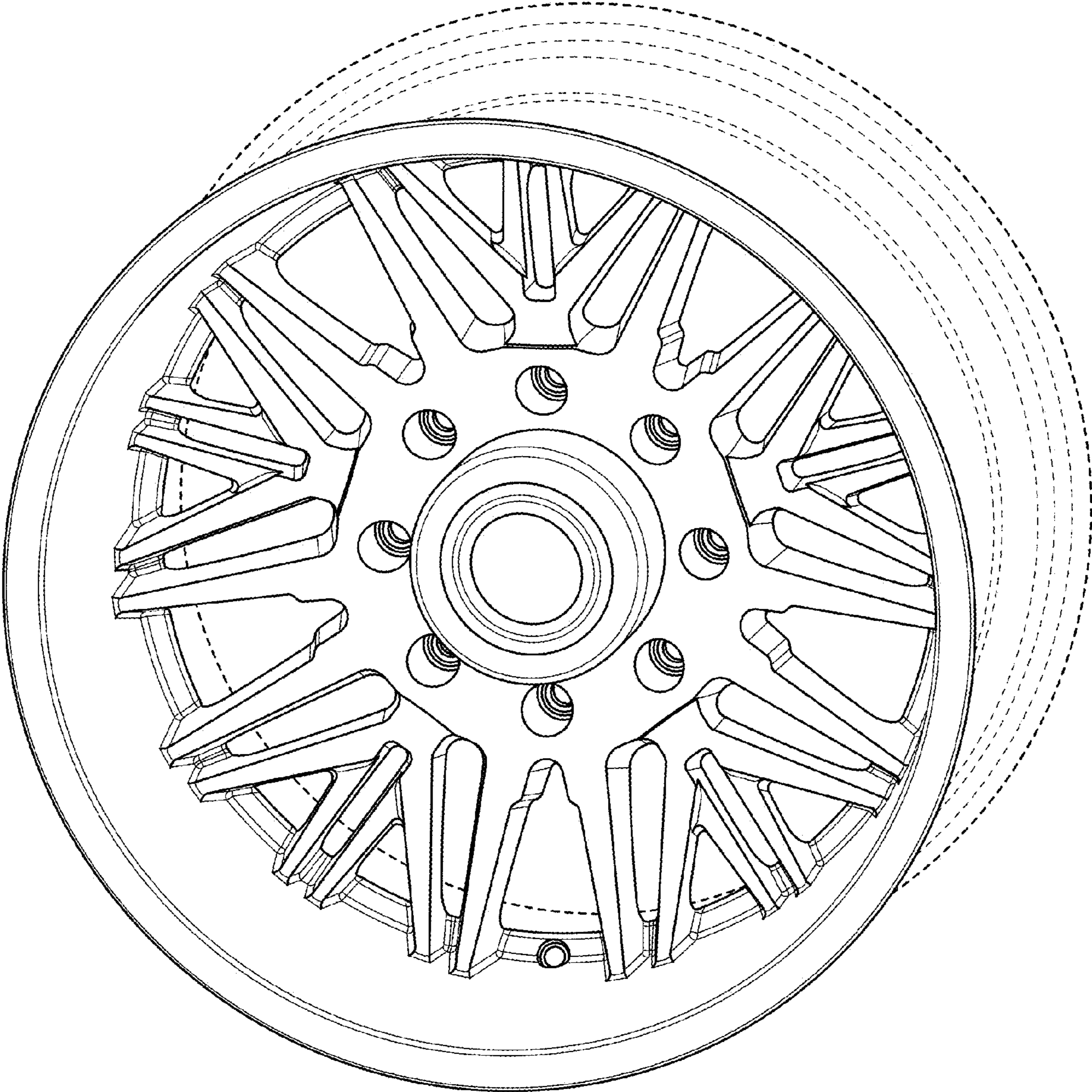


FIG. 1

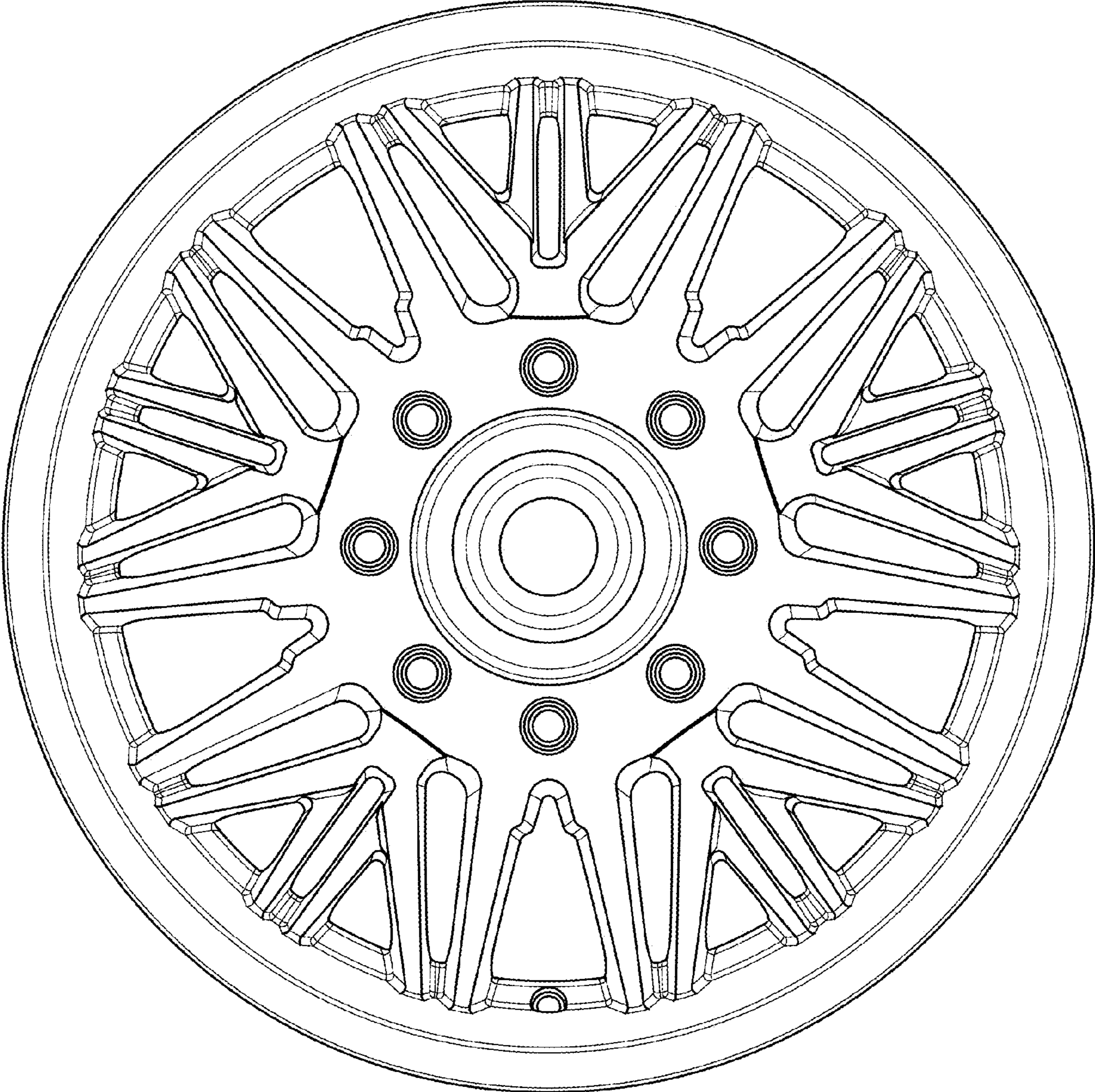


FIG. 2

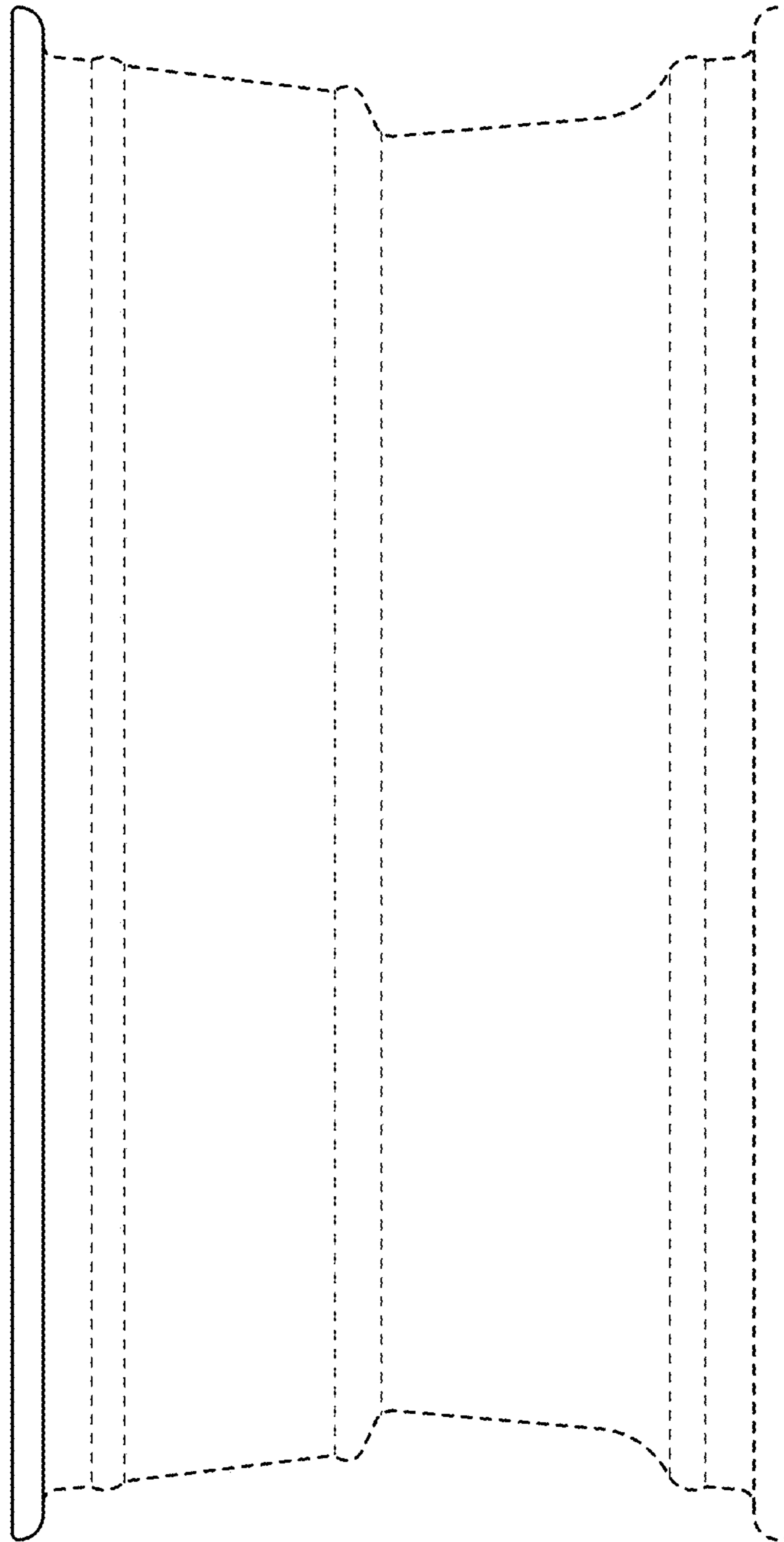


FIG. 3