



US00D928680S

(12) **United States Design Patent** (10) **Patent No.:** **US D928,680 S**  
**McKinnon** (45) **Date of Patent:** **\*\* Aug. 24, 2021**

(54) **MULTIPLE DIRECTIONAL WHEEL RIM**  
(71) Applicant: **ROTACASTER WHEEL PTY LTD,**  
Wantirna South (AU)  
(72) Inventor: **Peter Rodney McKinnon,** Wantirna  
South (AU)  
(73) Assignee: **Rotacaster Wheel Pty Ltd.,** Wantirna  
(AU)  
(\*\*) Term: **15 Years**  
(21) Appl. No.: **29/718,676**  
(22) Filed: **Dec. 27, 2019**  
(51) **LOC (13) Cl.** ..... **12-16**  
(52) **U.S. Cl.**  
USPC ..... **D12/204; D3/318**  
(58) **Field of Classification Search**  
USPC ..... D3/318, 255, 902, 279; D12/204,  
D12/129-130, 133, 208-213; D15/138,  
D15/17; D8/375; D21/533  
CPC . B60B 19/003; B60B 19/12; B60B 2900/351;  
B60B 2310/204; B60B 33/0049; B60B  
33/00; B60B 33/0044  
See application file for complete search history.

9,242,508 B2 \* 1/2016 Bando ..... B60B 19/12  
9,365,076 B2 \* 6/2016 Bando ..... B60B 19/12  
9,573,416 B1 \* 2/2017 Niemeyer ..... B60B 19/003  
9,981,619 B1 \* 5/2018 Deng ..... B60B 19/003  
D829,627 S \* 10/2018 Hunt ..... D12/204  
D867,953 S \* 11/2019 Hunt ..... D12/204  
D892,698 S \* 8/2020 Hunt ..... D12/204  
2004/0004390 A1 \* 1/2004 Guile ..... B60B 33/0028  
301/5.23

(Continued)

**OTHER PUBLICATIONS**

“Hangfa QL15 6"Omni Robot Wheel”, First Available May 12,  
2015, Amazon.com, site visited Nov. 19, 2020: <https://www.amazon.com/Hangfa-QL15-Omni-Robot-Wheel/dp/B00XK9TAH2> (Year:  
2015).\*

(Continued)

*Primary Examiner* — Jennifer L Watkins  
*Assistant Examiner* — Samantha Lynne Brodowski  
(74) *Attorney, Agent, or Firm* — Bycer Law, PLC;  
Matthew L. Bycer

(57) **CLAIM**

The ornamental design for a multiple directional wheel rim,  
as shown and described.

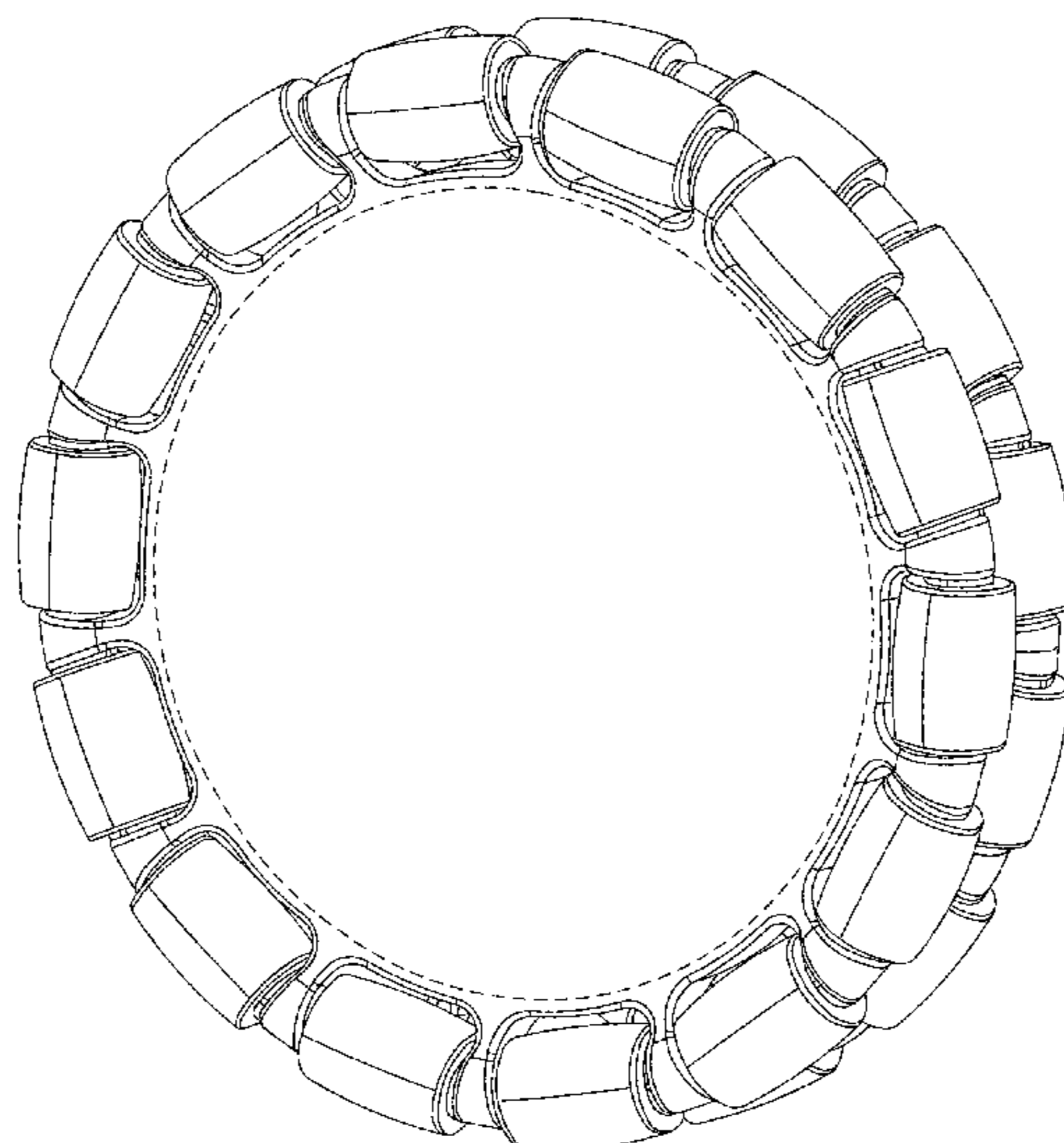
(56) **References Cited**  
U.S. PATENT DOCUMENTS

1,810,854 A \* 6/1931 Rimailho ..... B60B 9/10  
152/6  
2,190,370 A \* 2/1940 Smallwood ..... B60B 15/02  
152/56  
3,142,326 A \* 7/1964 Lindley ..... B60C 17/04  
152/158  
D309,254 S \* 7/1990 Guile ..... 16/45  
D318,219 S \* 7/1991 Guile ..... D8/375  
D318,791 S \* 8/1991 Guile ..... D8/375  
5,213,176 A \* 5/1993 Oroku ..... B60B 19/003  
180/168  
8,758,191 B2 \* 6/2014 Takenaka ..... B60B 19/003  
476/68

**DESCRIPTION**

FIG. 1 is a front plan view of a multiple directional wheel rim according to the present design;  
FIG. 2 is a bottom side elevation view thereof;  
FIG. 3 is a rear plan view thereof;  
FIG. 4 is a front perspective view thereof;  
FIG. 5 is a left side elevation view thereof; and,  
FIG. 6 is a top side elevation view thereof.  
The dashed lines in the drawings depict the claim boundary.  
All of the subject matter inside of the dashed lines forms no part of the claim.

**1 Claim, 6 Drawing Sheets**



(56)

**References Cited**

U.S. PATENT DOCUMENTS

2005/0134106 A1\* 6/2005 Guile ..... B60B 19/003  
301/5.23  
2007/0096541 A1\* 5/2007 Guile ..... B60B 33/0039  
301/5.23  
2010/0140888 A1\* 6/2010 McKinnon ..... B60B 33/066  
280/47.2  
2012/0019048 A1\* 1/2012 Mckinnon ..... B60B 19/003  
301/5.23  
2012/0084939 A1\* 4/2012 Kim ..... B60B 19/003  
15/415.1  
2012/0295775 A1\* 11/2012 Reid ..... A63B 22/20  
482/108  
2013/0257138 A1\* 10/2013 Chang ..... B60B 19/12  
301/5.23  
2013/0306925 A1\* 11/2013 Cozza ..... B60B 33/0044  
254/8 R  
2015/0151572 A1\* 6/2015 Parrott ..... B60B 19/006  
301/5.23  
2015/0284203 A1\* 10/2015 Terrero ..... B65H 31/38  
271/228

2016/0303898 A1\* 10/2016 Yoshino ..... B60B 19/003  
2016/0375723 A1\* 12/2016 Jochim ..... B60B 19/02  
280/30  
2016/0375814 A1\* 12/2016 Jochim ..... B66B 9/16  
414/547  
2017/0210437 A1\* 7/2017 Black ..... B60B 19/003  
2018/0229547 A1\* 8/2018 Deng ..... B60B 19/12  
2019/0320770 A1\* 10/2019 McKinnon ..... B60B 19/003  
2020/0062031 A1\* 2/2020 Murai ..... B60B 19/125  
2020/0276697 A1\* 9/2020 Yan ..... B25J 5/007

OTHER PUBLICATIONS

“Hangfa QL15 6"Omni Wheel”, First Available Jun. 11, 2015, Amazon.com, site visited Nov. 19, 2020: <https://www.amazon.com/Hangfa-QL15-6-Omni-Wheel/dp/B00ZF7MEA2> (Year: 2015).\*  
“152mm Omnidirectional Wheel (Brass Bearing for Rollers) Nexus Robot”, First Available Oct. 5, 2016, Amazon.com, site visited Nov. 19, 2020: <https://www.amazon.ca/Omnidirectional-Bearing-Rollers-Nexus-Robot/dp/B01CTUTETG> (Year: 2016).\*

\* cited by examiner

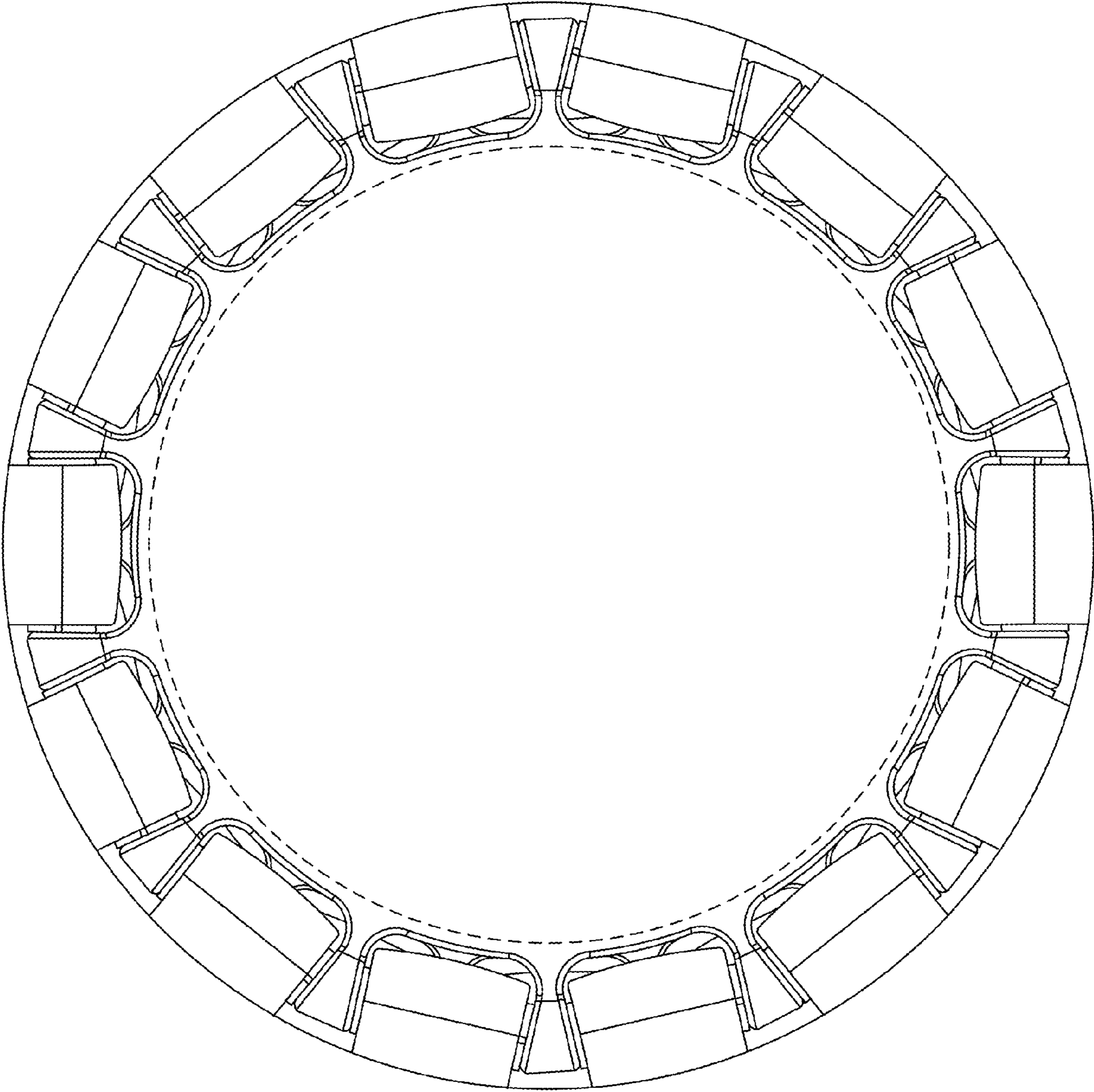


FIG. 1

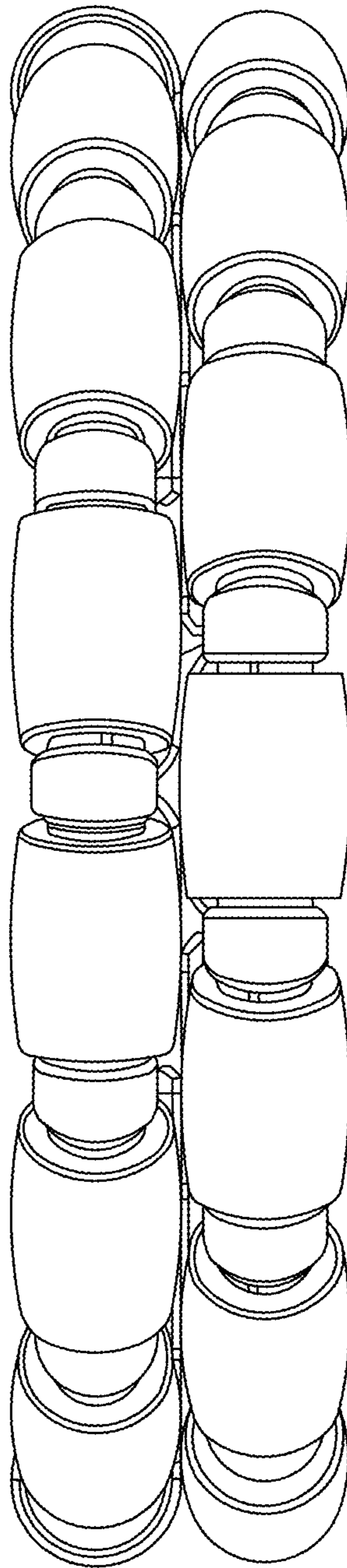


FIG. 2



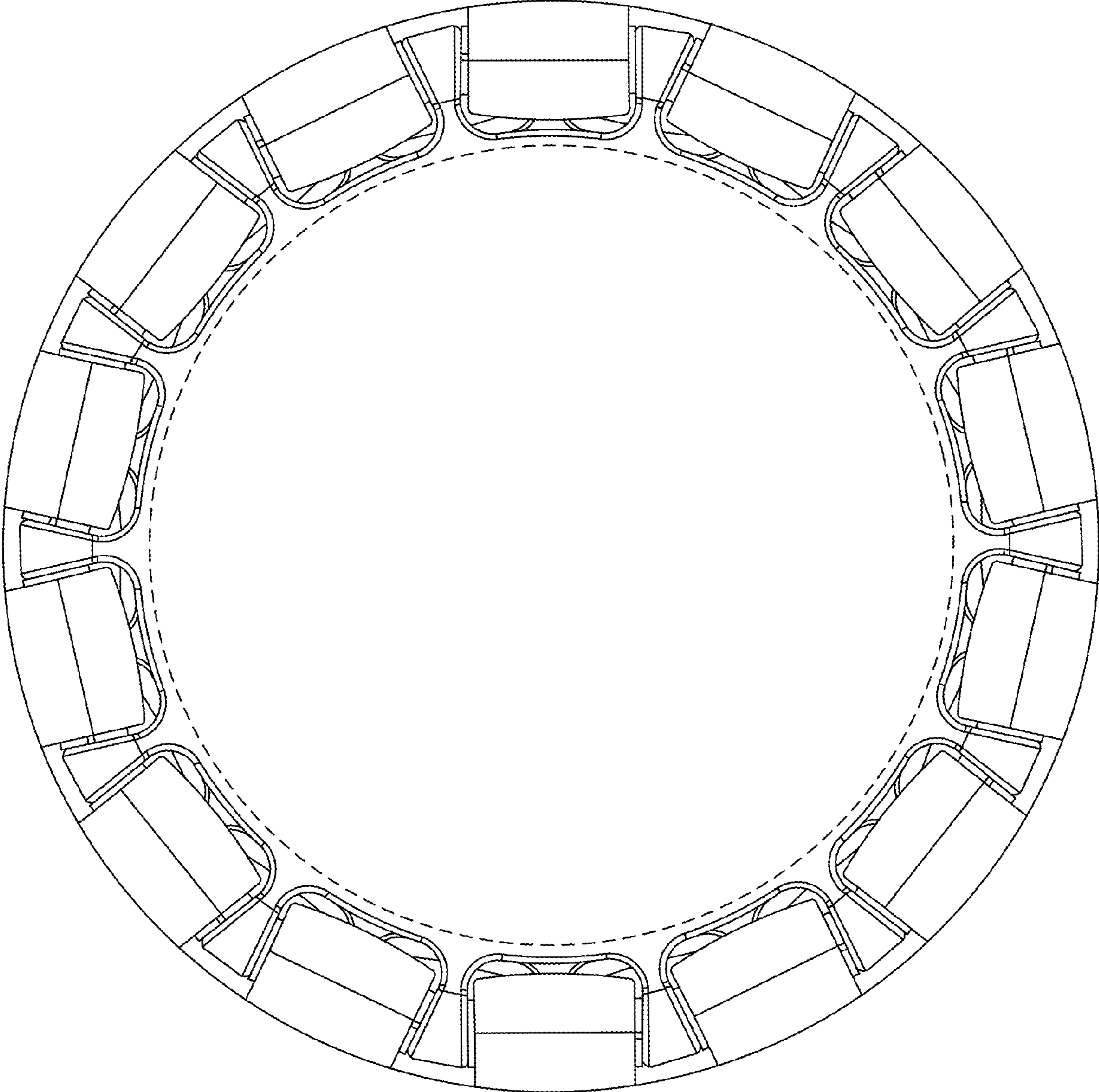


FIG. 3

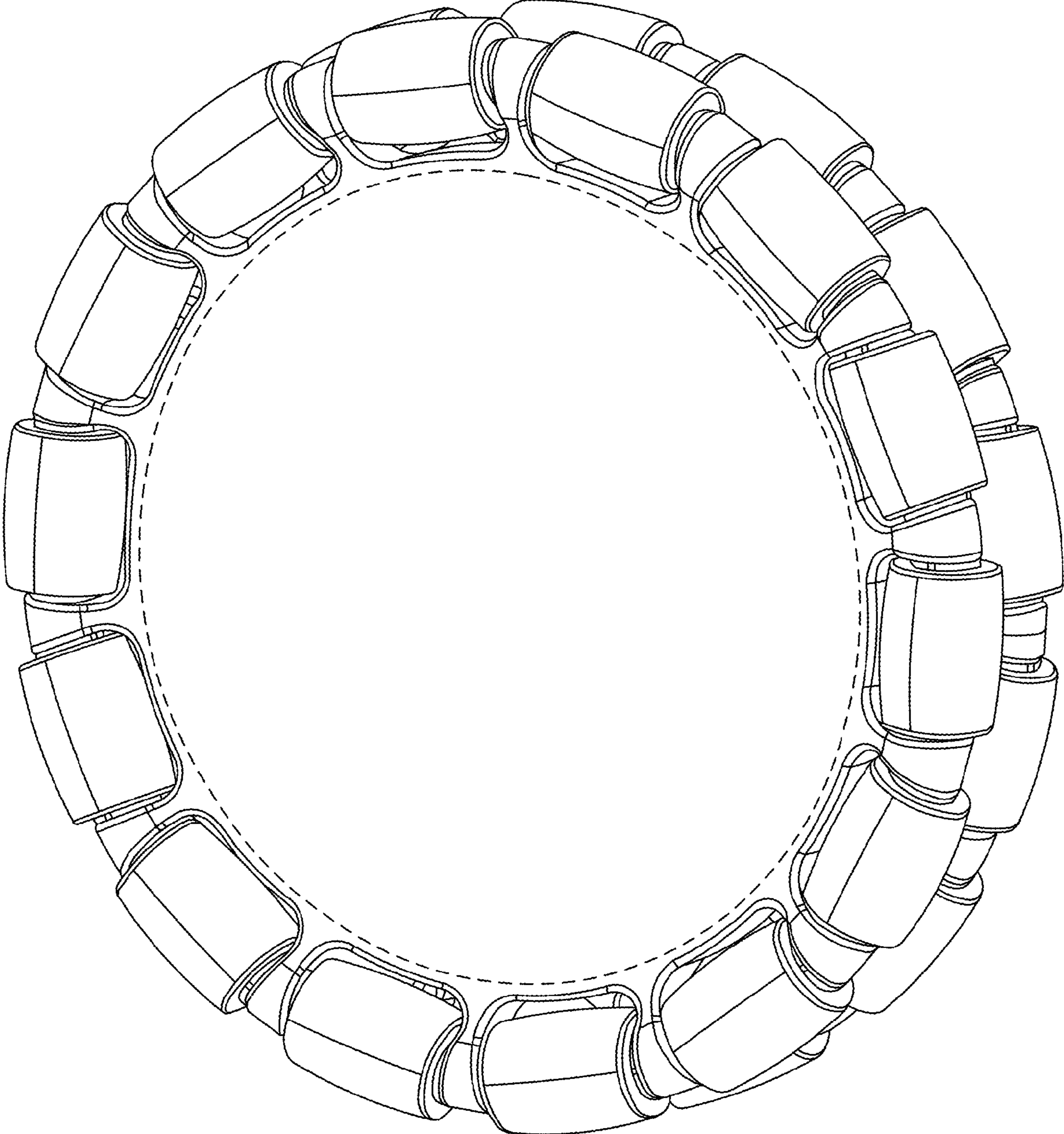


FIG. 4

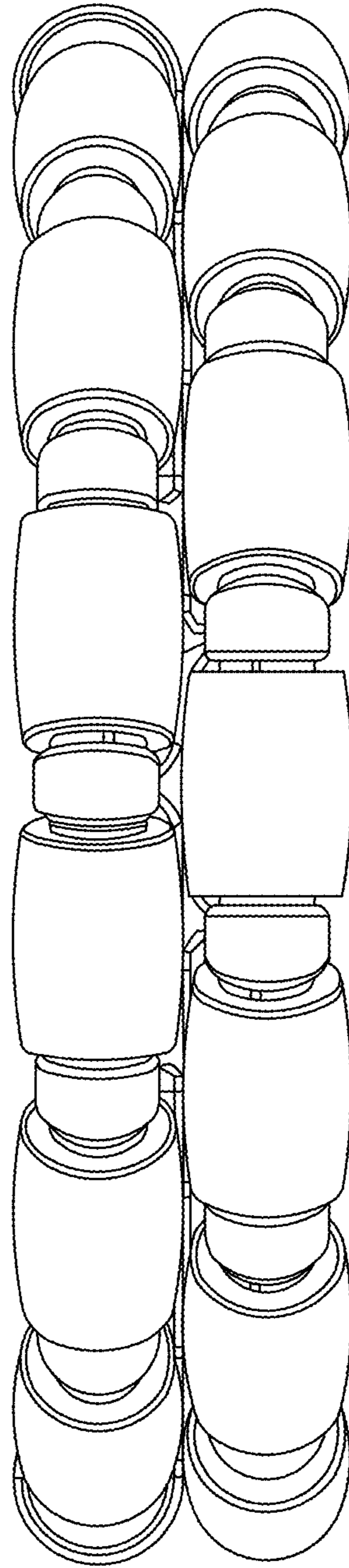


FIG. 5

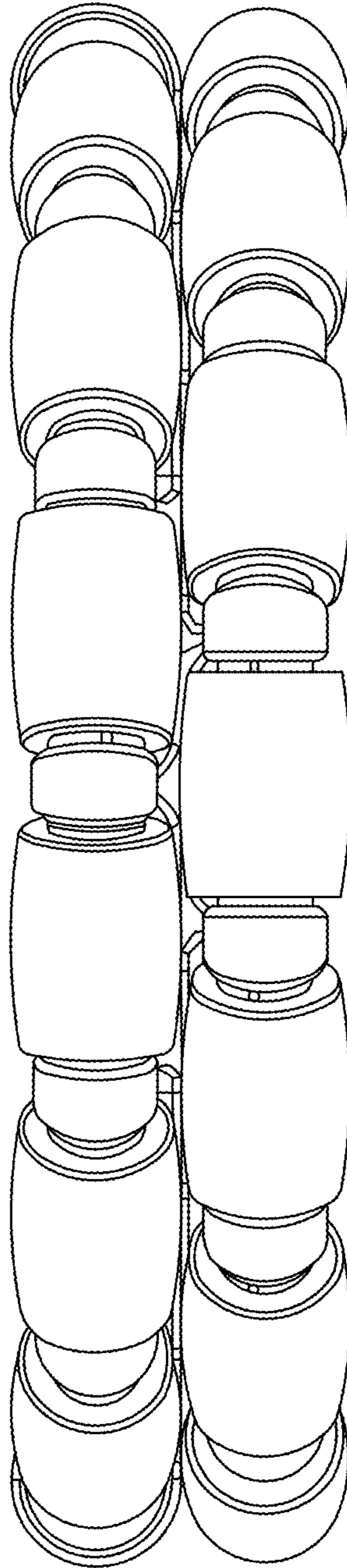


FIG. 6