



US00D928679S

(12) **United States Design Patent** (10) **Patent No.:** **US D928,679 S**
Liang (45) **Date of Patent:** **** Aug. 24, 2021**

(54) **SKID PLATE BUMPER**

(71) Applicant: **Shixin Liang**, Anyang (CN)

(72) Inventor: **Shixin Liang**, Anyang (CN)

(**) Term: **15 Years**

(21) Appl. No.: **29/746,772**

(22) Filed: **Aug. 17, 2020**

(51) **LOC (13) Cl.** **12-16**

(52) **U.S. Cl.**
USPC **D12/196**

(58) **Field of Classification Search**

USPC D12/86, 90, 91, 92, 163, 169, 171, 196,
D12/216

CPC B60R 19/02; B60R 19/04; B60R 19/12;
B60R 19/52; B60K 11/08; B62D 25/08

See application file for complete search history.

(56) **References Cited**

U.S. PATENT DOCUMENTS

| | | | | |
|--------------|---------|-----------|-------|---------|
| D811,962 S * | 3/2018 | Sullivan | | D12/169 |
| D813,745 S * | 3/2018 | Behmer | | D12/169 |
| D832,158 S | 10/2018 | Han | | |
| D854,465 S * | 7/2019 | Li | | D12/169 |
| D867,232 S * | 11/2019 | Izard | | D12/169 |
| D874,999 S * | 2/2020 | Ewing | | D12/171 |
| D877,003 S * | 3/2020 | Izard | | D12/169 |
| D898,635 S * | 10/2020 | Wiltshire | | D12/169 |
| D908,571 S * | 1/2021 | Anscheidt | | D12/196 |
| D909,263 S * | 2/2021 | Choi | | D12/169 |
| D918,797 S * | 5/2021 | Ruiz | | D12/169 |

OTHER PUBLICATIONS

Skid Plates. (Design—© Questel) orbit.com. [Online PDF compilation of references selected by examiner] 23 pgs. Print Dates Range Aug. 26, 2019-Oct. 1, 2010 [Retrieved May 17, 2021].*

Hagerty, Mike. “Defensive Driving: Should Your Truck Have a Skid Plate?” Apr. 17, 2020. NAPA Know How Blog, <https://knowhow.napaonline.com/defensive-driving-should-your-truck-have-a-skid-plate/> (Year: 2020).*

“Toyota Genuine PT938-34140 TRD PRO Front Skid Plate.” Before Aug. 10, 2015. Amazon, <https://www.amazon.com/Toyota-Genuine-PT938-34140-Skid-Plate/dp/B00SLLDGK6> (Year: 2015).*

“AltRider Skid Plate for the KTM 790/890 Adventure/ R.” Before Jun. 26, 2020. AltRider, <https://www.altrider.com/altrider-skid-plate-for-the-ktm-790-890-adventure-r/pid/2835> (Year: 2020).*

* cited by examiner

Primary Examiner — Brett Miller

Assistant Examiner — Suzanne E Tisdell

(74) *Attorney, Agent, or Firm* — Justin Lampel

(57) **CLAIM**

The ornamental design for a skid plate bumper, as shown and described.

DESCRIPTION

FIG. 1 is a perspective view of a skid plate bumper showing the claimed design;

FIG. 2 is a top plan view thereof;

FIG. 3 is a rear elevational view thereof;

FIG. 4 is a bottom plan view thereof;

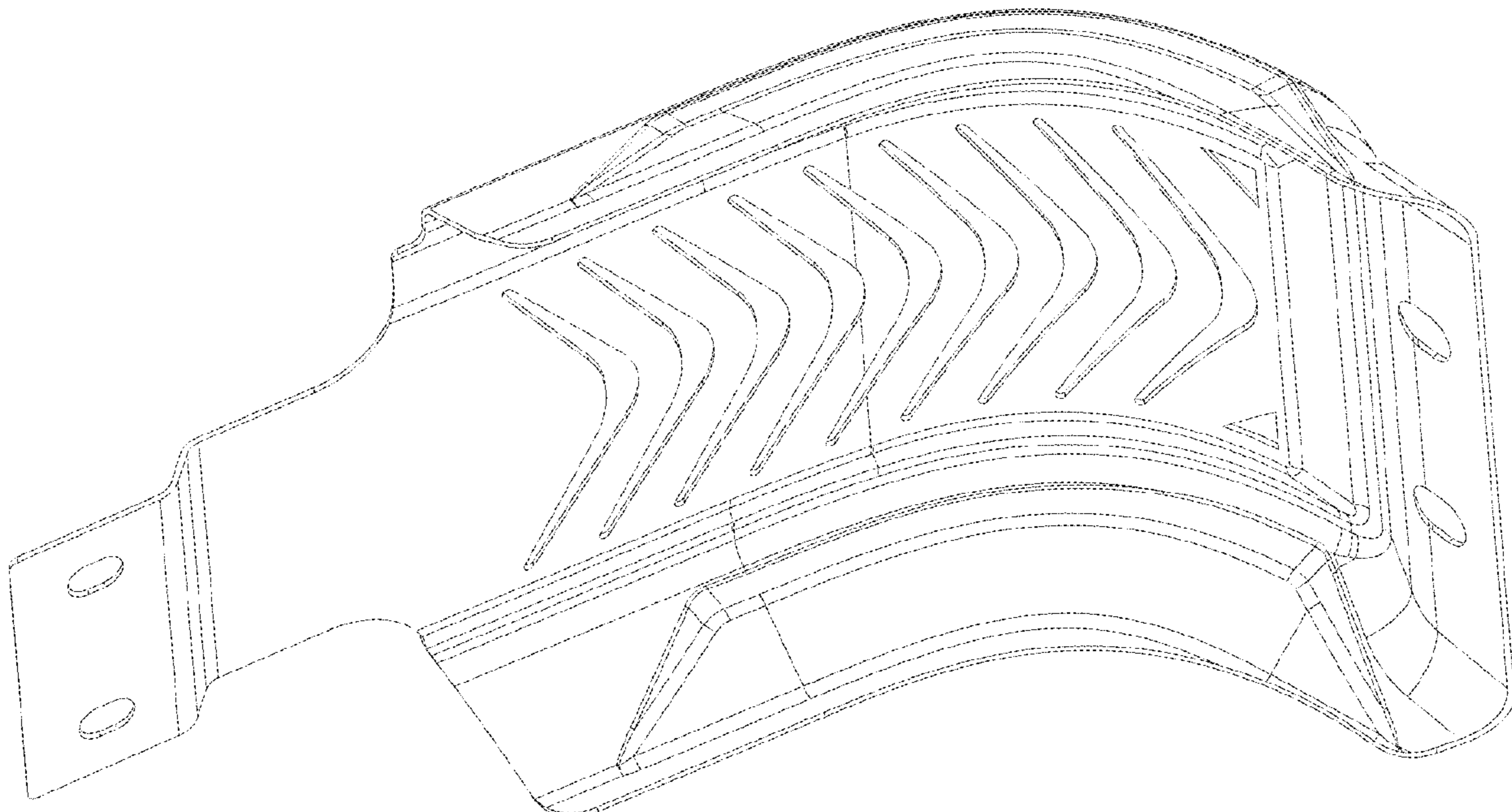
FIG. 5 is a right side view thereof;

FIG. 6 is a front elevational view thereof; and

FIG. 7 is a left side view thereof; and,

FIG. 8 is also a perspective view.

1 Claim, 8 Drawing Sheets



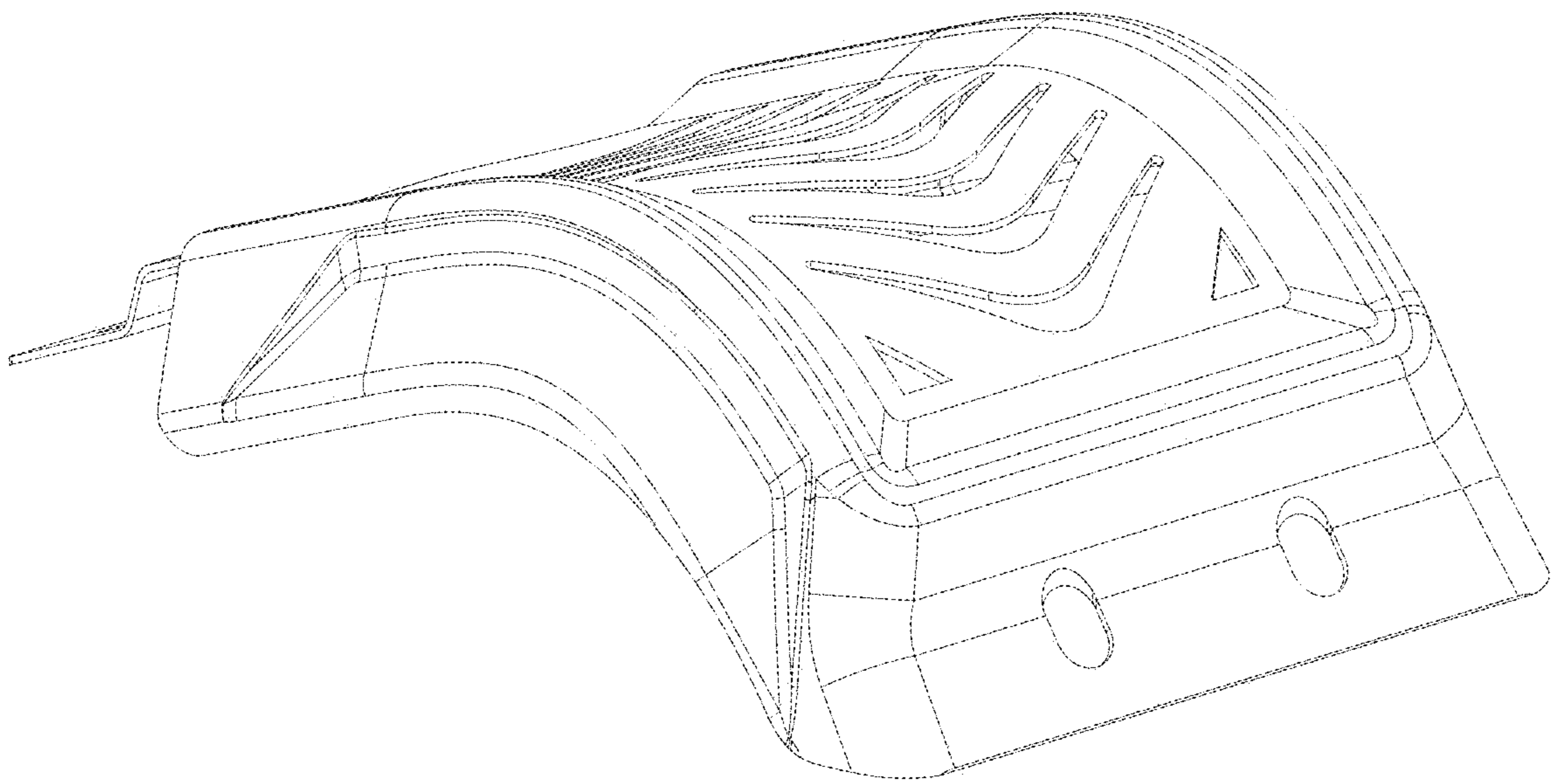


FIG.1

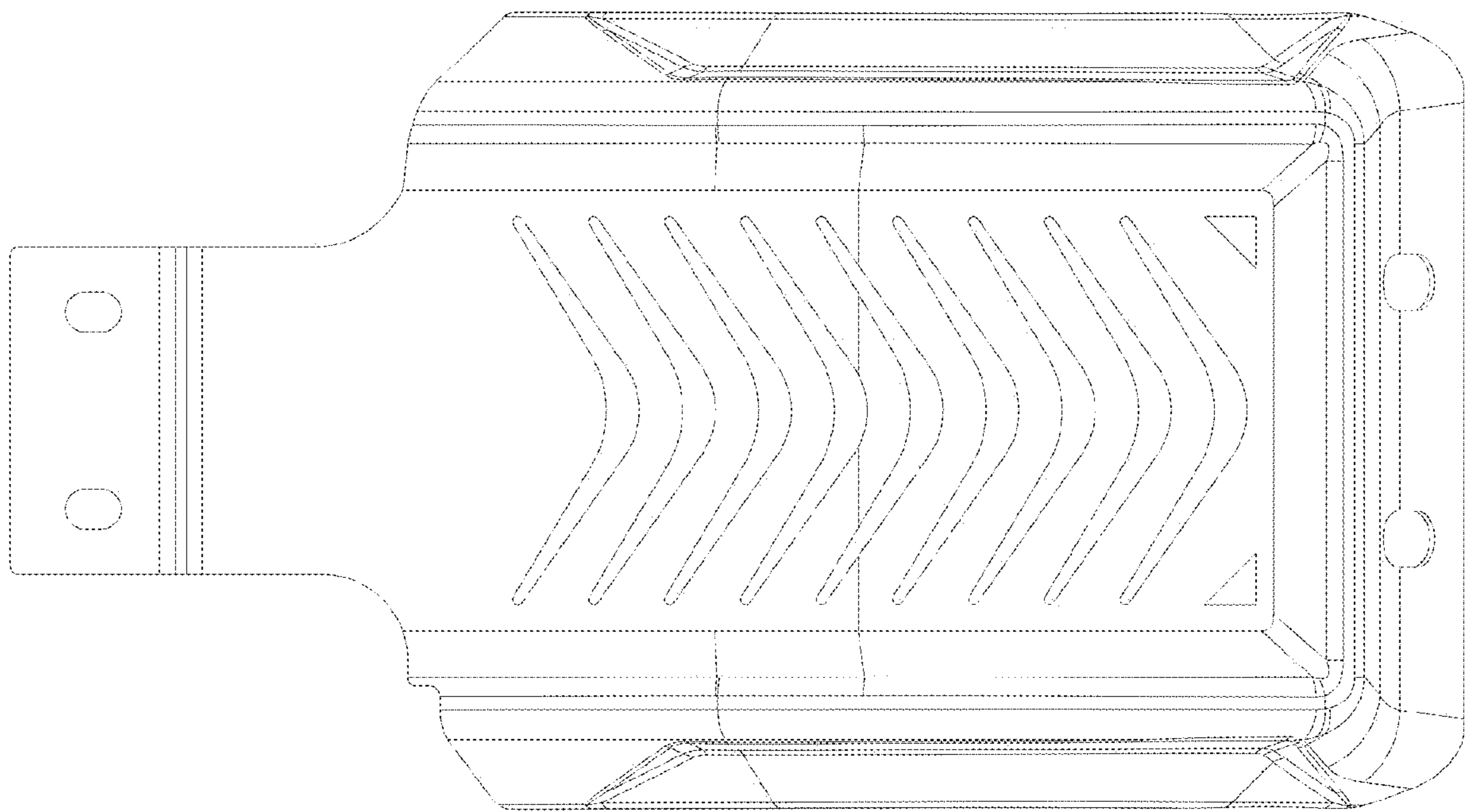


FIG.2

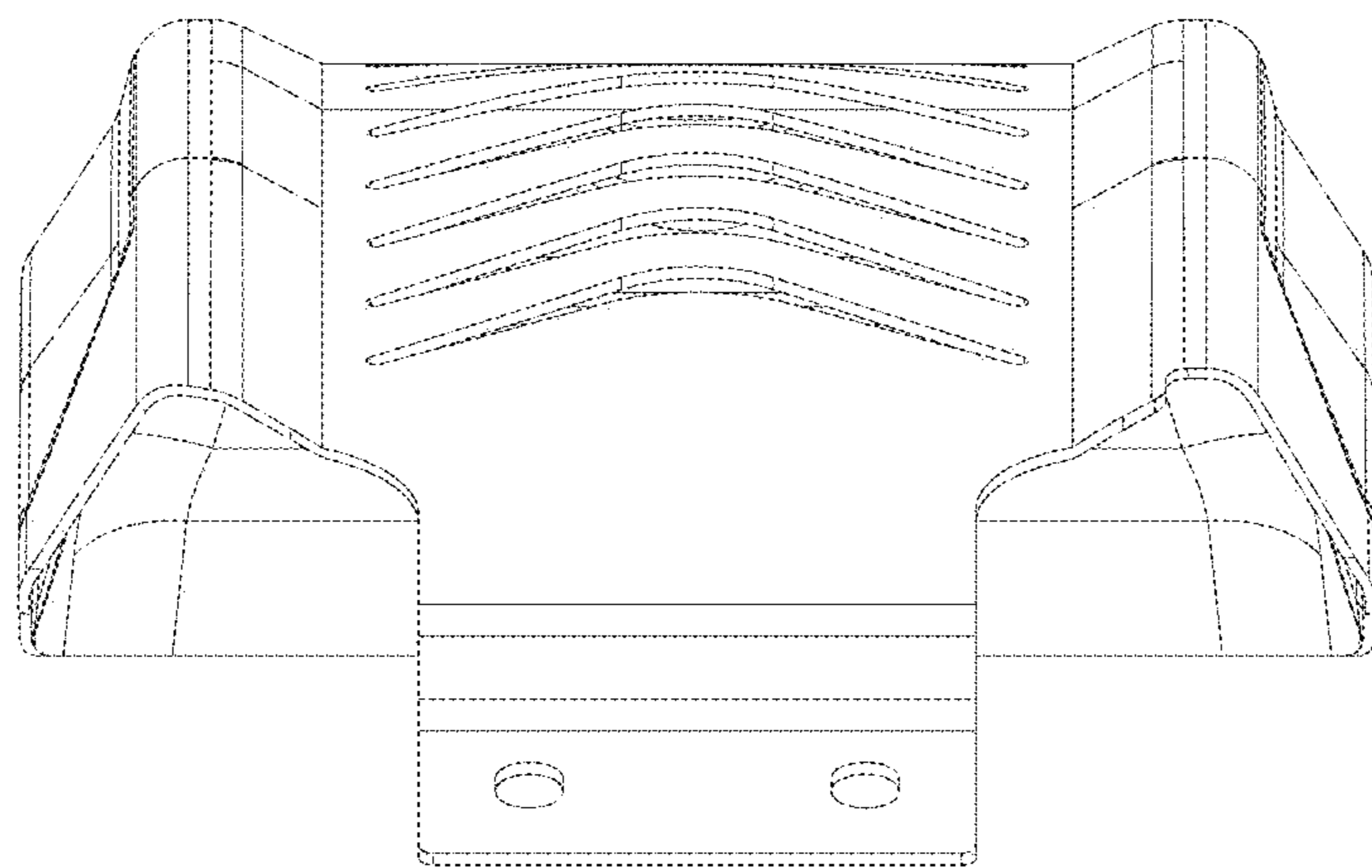


FIG.3

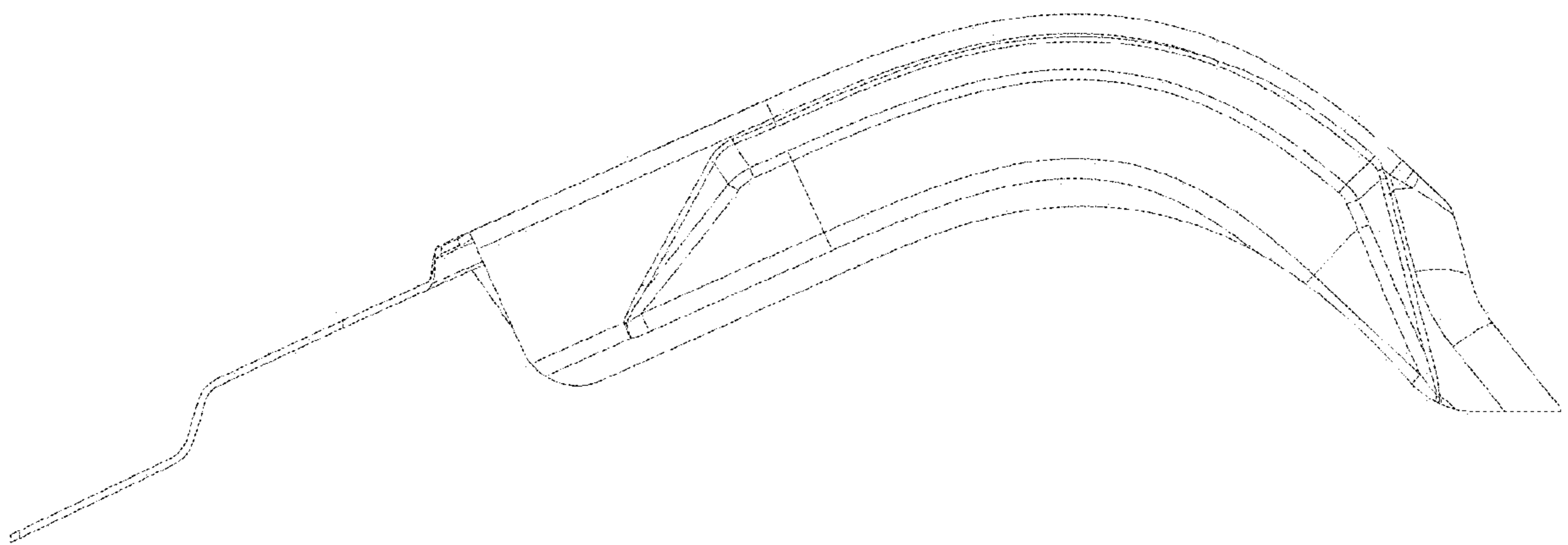


FIG. 4

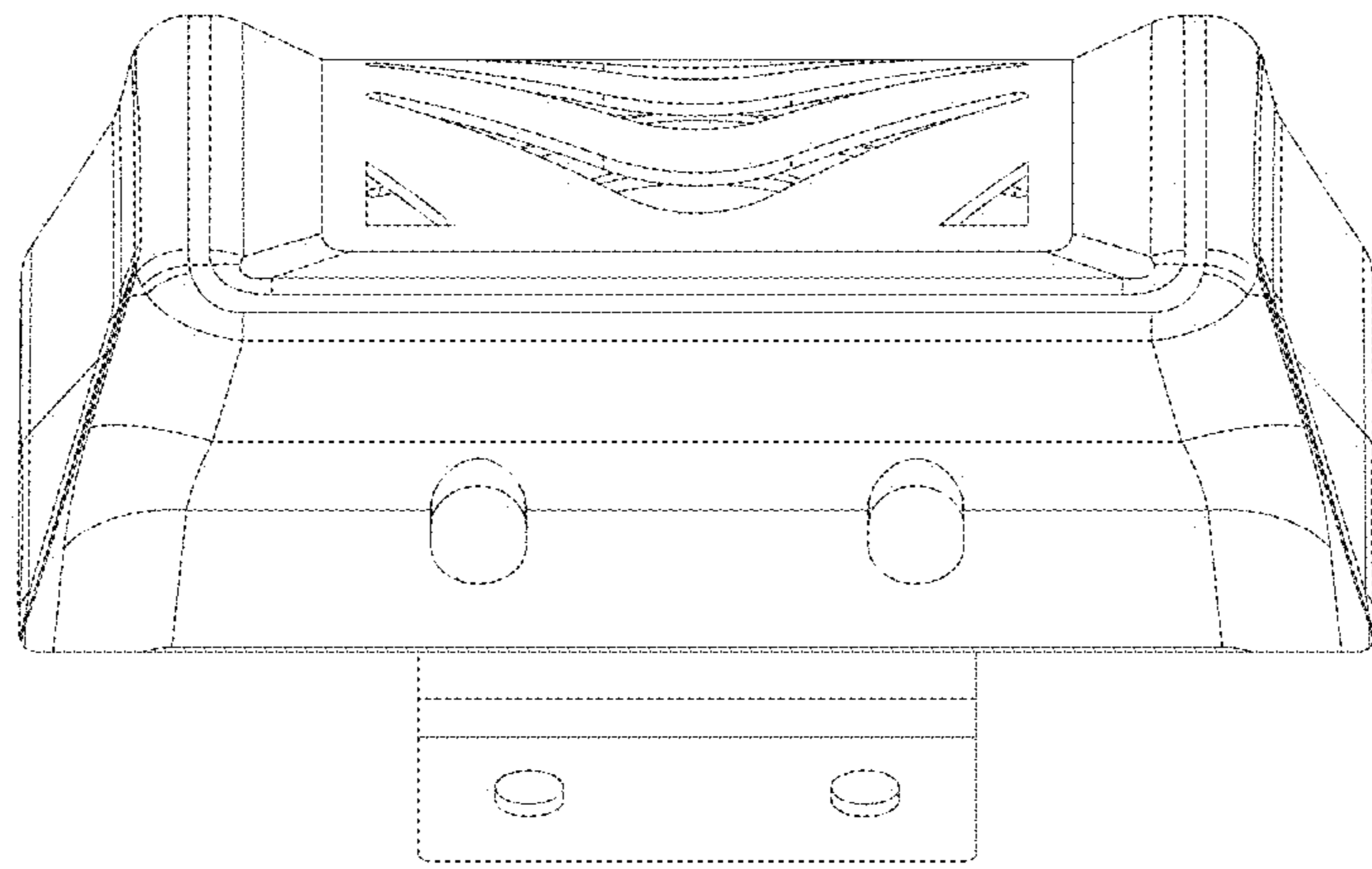


FIG.5

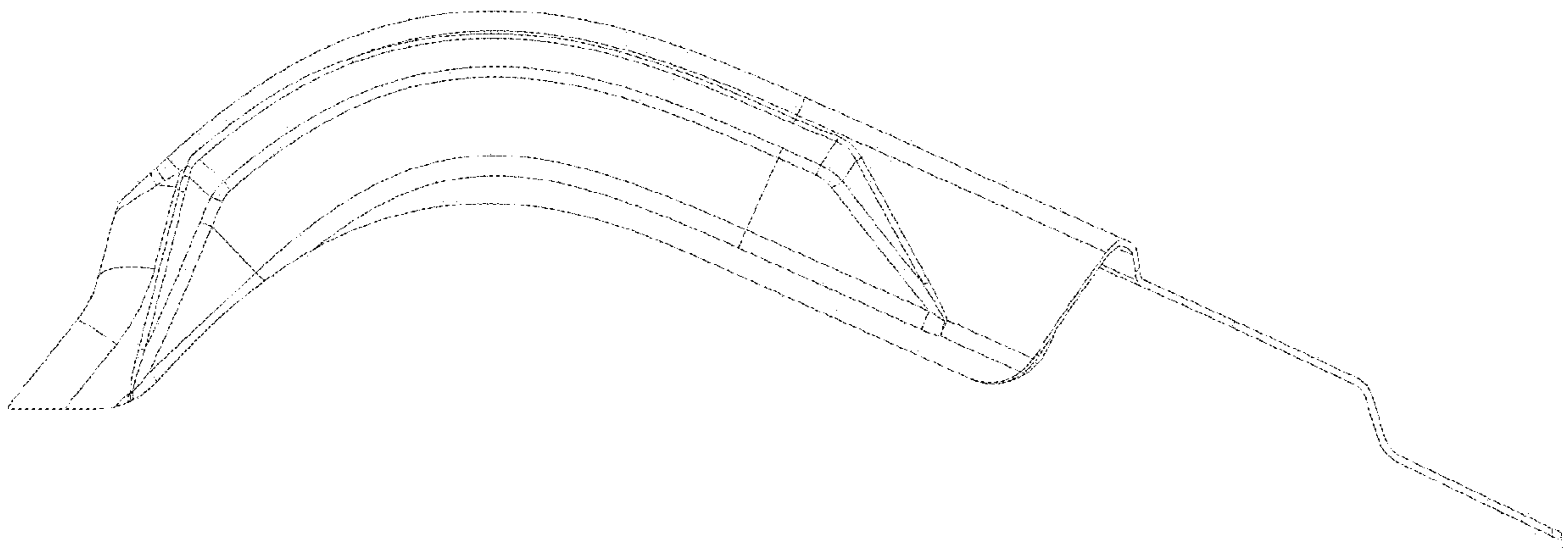


FIG. 6

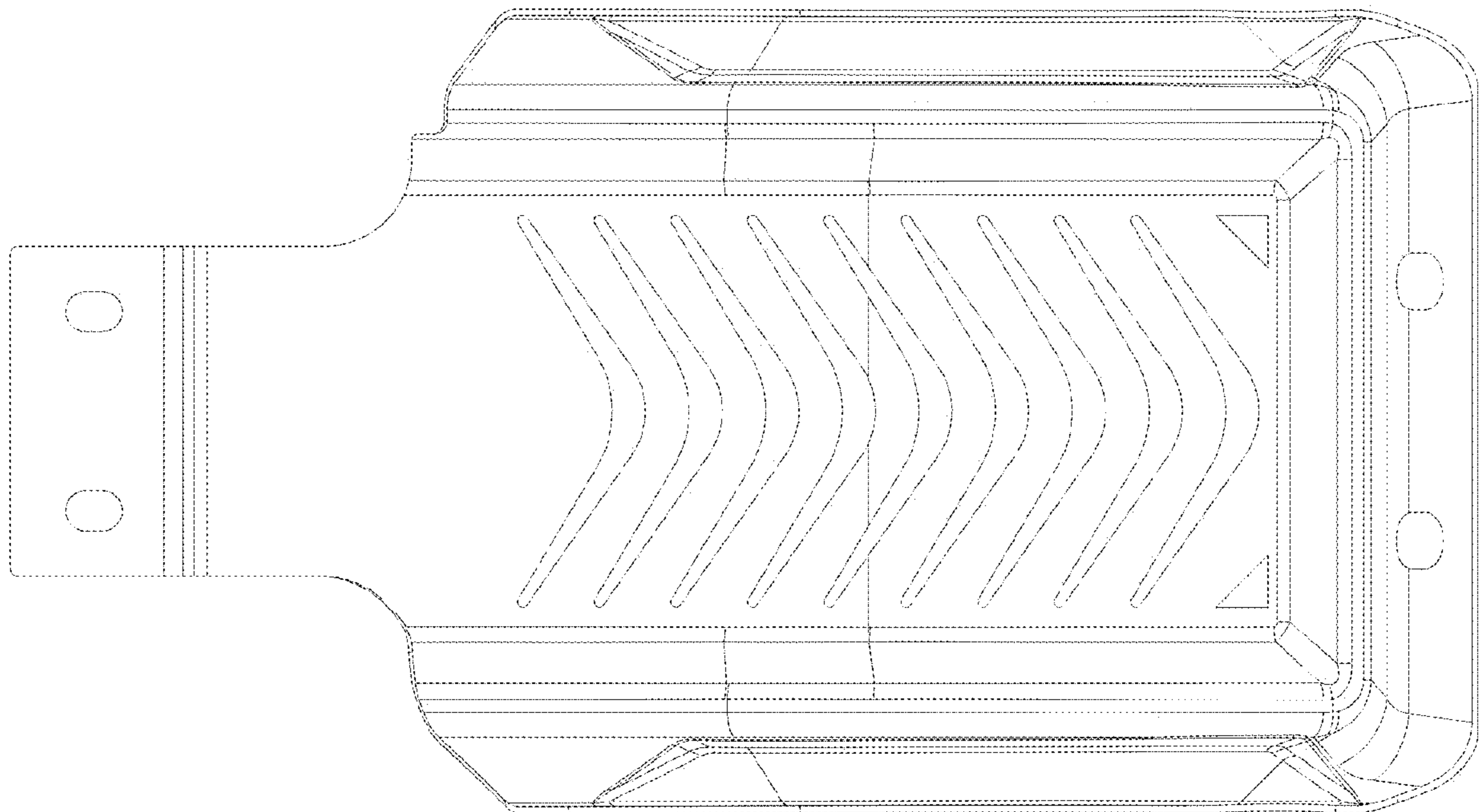


FIG. 7

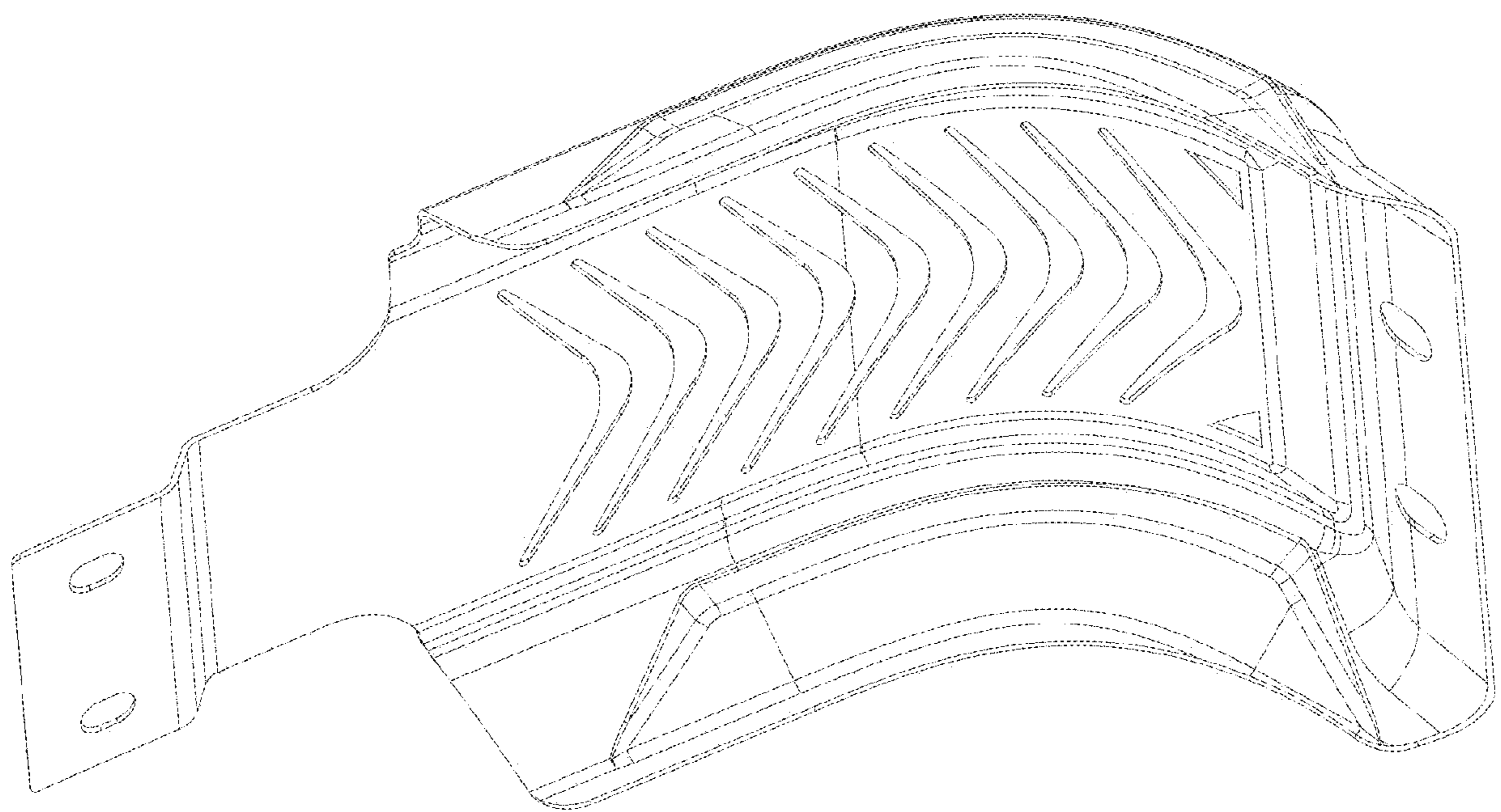


FIG.8