



US00D928677S

(12) **United States Design Patent**
Reshetnyak

(10) **Patent No.:** **US D928,677 S**

(45) **Date of Patent:** **** Aug. 24, 2021**

(54) **MOTORCYCLE LICENSE PLATE FRAME**

D510,552 S * 10/2005 Phillips D12/193
D547,381 S 7/2007 Hollands
D549,783 S 8/2007 Beno

(Continued)

(71) Applicant: **Nikolay Reshetnyak**, Moscow (RU)

(72) Inventor: **Nikolay Reshetnyak**, Moscow (RU)

(**) Term: **15 Years**

(21) Appl. No.: **29/695,201**

(22) Filed: **Jun. 17, 2019**

(51) **LOC (13) Cl.** **12-16**

(52) **U.S. Cl.**
USPC **D12/193**

(58) **Field of Classification Search**
USPC D12/193; D6/300, 301, 302, 310-314;
D20/13
CPC B60R 13/10; B60R 13/105; B60R 19/24;
B60R 19/52

See application file for complete search history.

(56) **References Cited**

U.S. PATENT DOCUMENTS

D163,320 S *	5/1951	Porrett	D12/193
D285,784 S *	9/1986	Langensiepen	D12/193
D301,863 S *	6/1989	Iacovelli	D12/193
D354,087 S	1/1995	Dunlap		
D367,459 S *	2/1996	Spencer	D12/193
D370,450 S	6/1996	Doan		
D377,777 S *	2/1997	Kheyfets	D12/193
D406,806 S	3/1999	Wallace et al.		
D408,341 S	4/1999	Spencer		
D415,987 S	11/1999	Romero		
D416,527 S *	11/1999	Steinhagen	D12/193
D437,815 S *	2/2001	Lyon	D12/193
D437,816 S *	2/2001	Hussaini	D12/193
D440,194 S *	4/2001	Hussaini	D12/193
D440,928 S *	4/2001	Hussaini	D12/193
D442,130 S *	5/2001	Hussaini	D12/193
D462,307 S *	9/2002	Nemazi	D20/13
D489,031 S	4/2004	Leibman		
D502,434 S	3/2005	Leibman		

OTHER PUBLICATIONS

AutoTecknic UN-0007-MC-Motorcycle License Plate Frame, MotorCycleID.com, [online], [site visited Jul. 17, 2020]. <URL: <https://www.motorcycleid.com/autotecknic/motorcycle-license-plate-frame-mpn-un-0007-mc.html>> (Year: 2020).*

(Continued)

Primary Examiner — T Chase Nelson
Assistant Examiner — Jonathan J Han
(74) *Attorney, Agent, or Firm* — Buche & Associates, P.C.; John K. Buche; Bryce A. Johnson

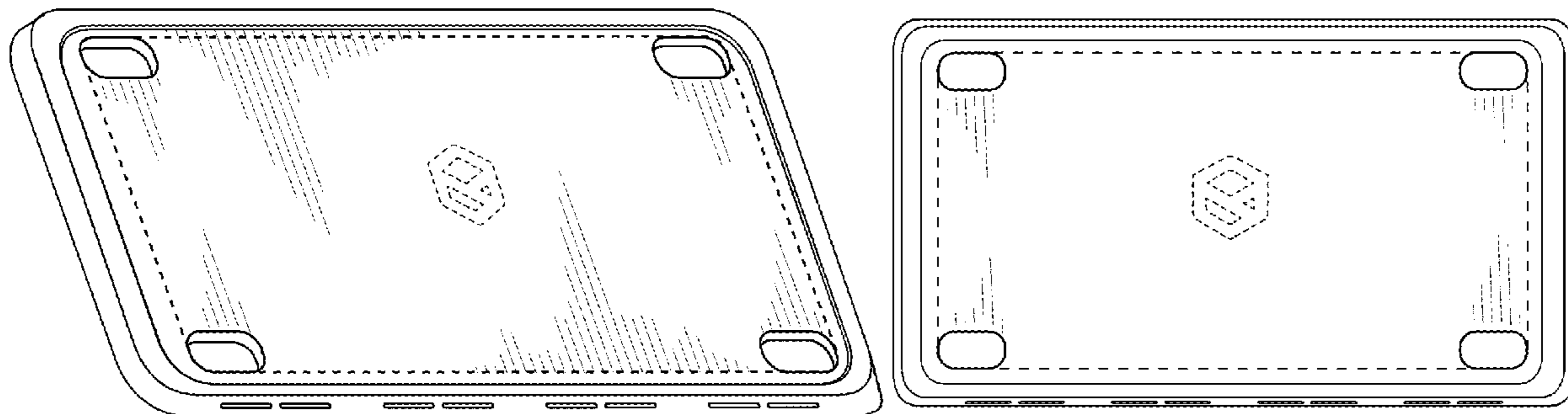
(57) **CLAIM**

I claim the ornamental design for a motorcycle license plate frame, as shown and described.

DESCRIPTION

FIG. 1 is a perspective view of the motorcycle license plate frame;
FIG. 2 is a front view of the motorcycle license plate frame of FIG. 1;
FIG. 3 is a back view of the motorcycle license plate frame of FIG. 1;
FIG. 4 is a left side view of the motorcycle license plate frame of FIG. 1;
FIG. 5 is a right side view of the motorcycle license plate frame of FIG. 1;
FIG. 6 is a top view the motorcycle license plate frame of FIG. 1; and,
FIG. 7 is a bottom view of the motorcycle license plate frame of FIG. 1.
Broken lines illustrate environmental features and form no part of the claimed design.

1 Claim, 3 Drawing Sheets



(56)

References Cited

U.S. PATENT DOCUMENTS

D564,429 S * 3/2008 Hirth D12/193
 D566,024 S 4/2008 Pacleb
 D576,934 S * 9/2008 Hirth D12/193
 D602,831 S * 10/2009 Spencer D12/193
 D619,948 S * 7/2010 Lee D12/193
 D623,105 S 9/2010 Aneiros
 D625,234 S 10/2010 Vuletic
 D628,131 S * 11/2010 Hu D12/193
 D633,837 S 3/2011 Murray
 D654,838 S * 2/2012 Sanchez D12/193
 D672,297 S * 12/2012 Dong D12/193
 D678,828 S * 3/2013 Sanchez D12/193
 D705,712 S * 5/2014 Spencer D12/193
 D712,326 S * 9/2014 Spencer D12/193
 D715,203 S * 10/2014 Spencer D12/193
 D717,223 S * 11/2014 Doerr D12/193
 D739,800 S * 9/2015 Spencer D12/193
 D753,038 S * 4/2016 Doerr D12/193
 D758,267 S * 6/2016 Marko, Jr. D12/193
 D818,917 S 5/2018 Addy
 D823,207 S * 7/2018 Olson D12/193
 D824,307 S 7/2018 Spencer
 D826,123 S * 8/2018 Doerr D12/193

D833,352 S 11/2018 Reshetnyak
 D839,159 S * 1/2019 Clarke D12/193
 D886,699 S * 6/2020 Xu D12/193
 D886,700 S * 6/2020 Xu D12/193
 D890,052 S * 7/2020 Urbanczyk D12/193
 10,710,518 B2 * 7/2020 Urbanczyk, II G09F 3/203

OTHER PUBLICATIONS

Slim Rim Chrome Motorcycle License Plate Frame, Amazon.com, Date First Available: Jan. 30, 2008, [online], [site visited Jul. 17, 2020]. <URL: <https://www.amazon.com/Chrome-Motorcycle-License-Plate-Frame/dp/B0013BI5KW>> (Year: 2008).*

Custom Dynamics LED Flat License Plate Frame, CycleGear.com, [online], [site visited Jul. 17, 2020]. <URL: <https://www.cyclegear.com/parts/custom-dynamics-led-flat-license-plate-frame>> (Year: 2020).*

Motorcycle Silicone License Plate Frame by Rightcar Solutions, YouTube.com, RightcarSolutions, May 8, 2019, [online], [site visited Jul. 17, 2020]. <URL: https://www.youtube.com/watch?v=0te_T_5Endc> (Year: 2019).*

Motorcycle Silicone License Plate Frame, RightcarSolutions.com, [online], [site visited Jul. 17, 2020]. <URL: <https://rightcarsolutions.com/products/motorcycle-silicone-license-plate-frame>> (Year: 2020).*

* cited by examiner

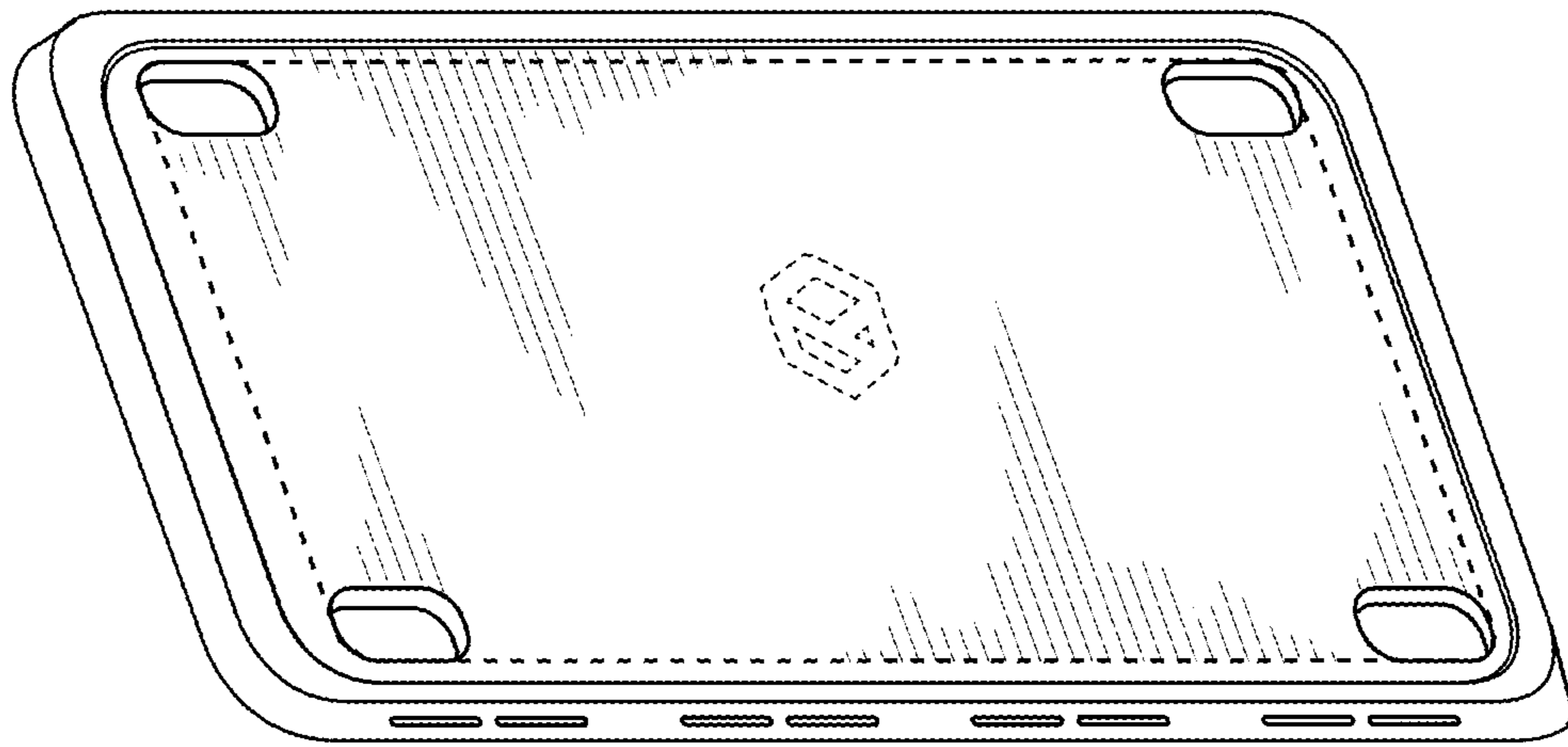


FIG. 1

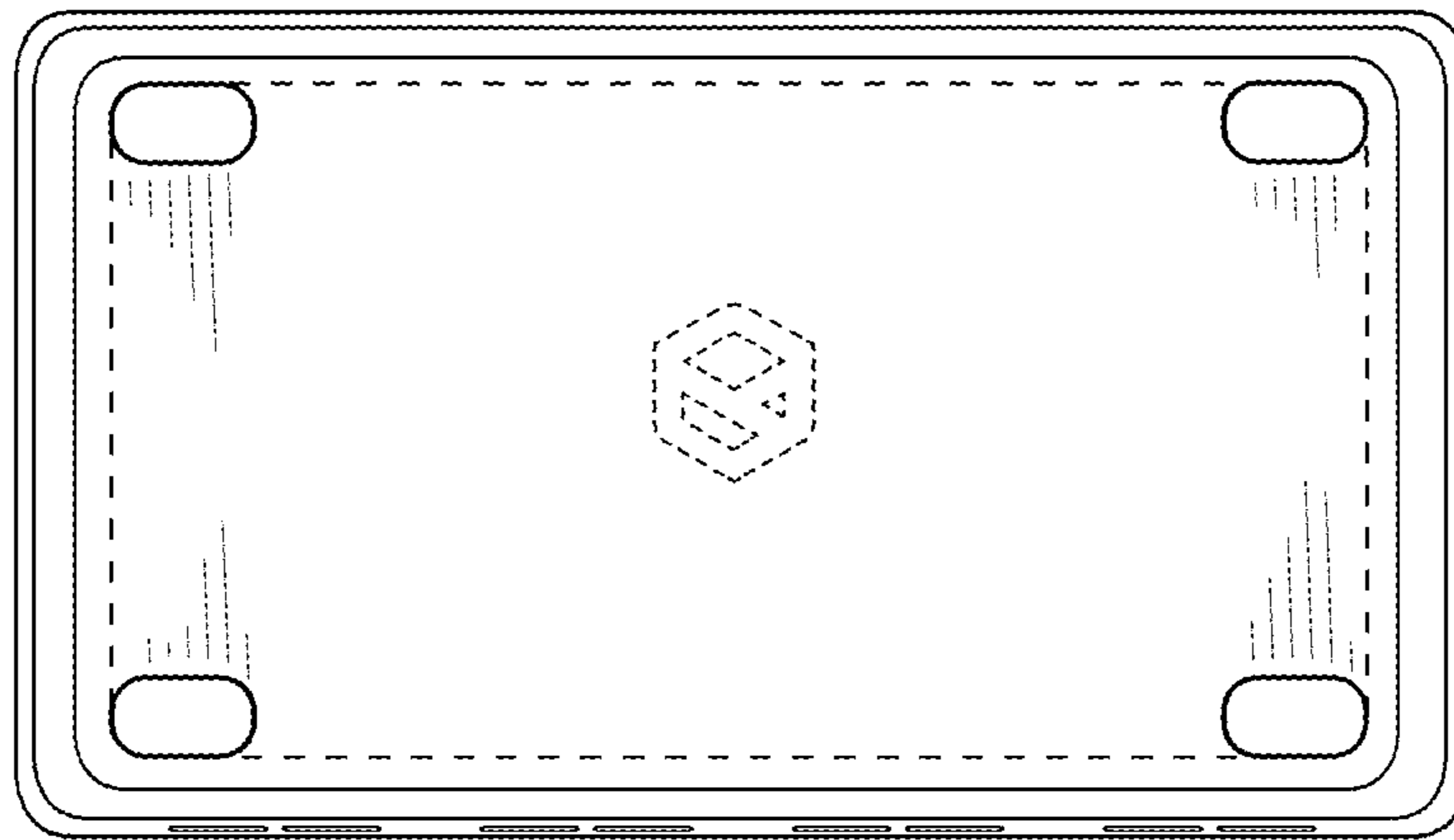


FIG. 2

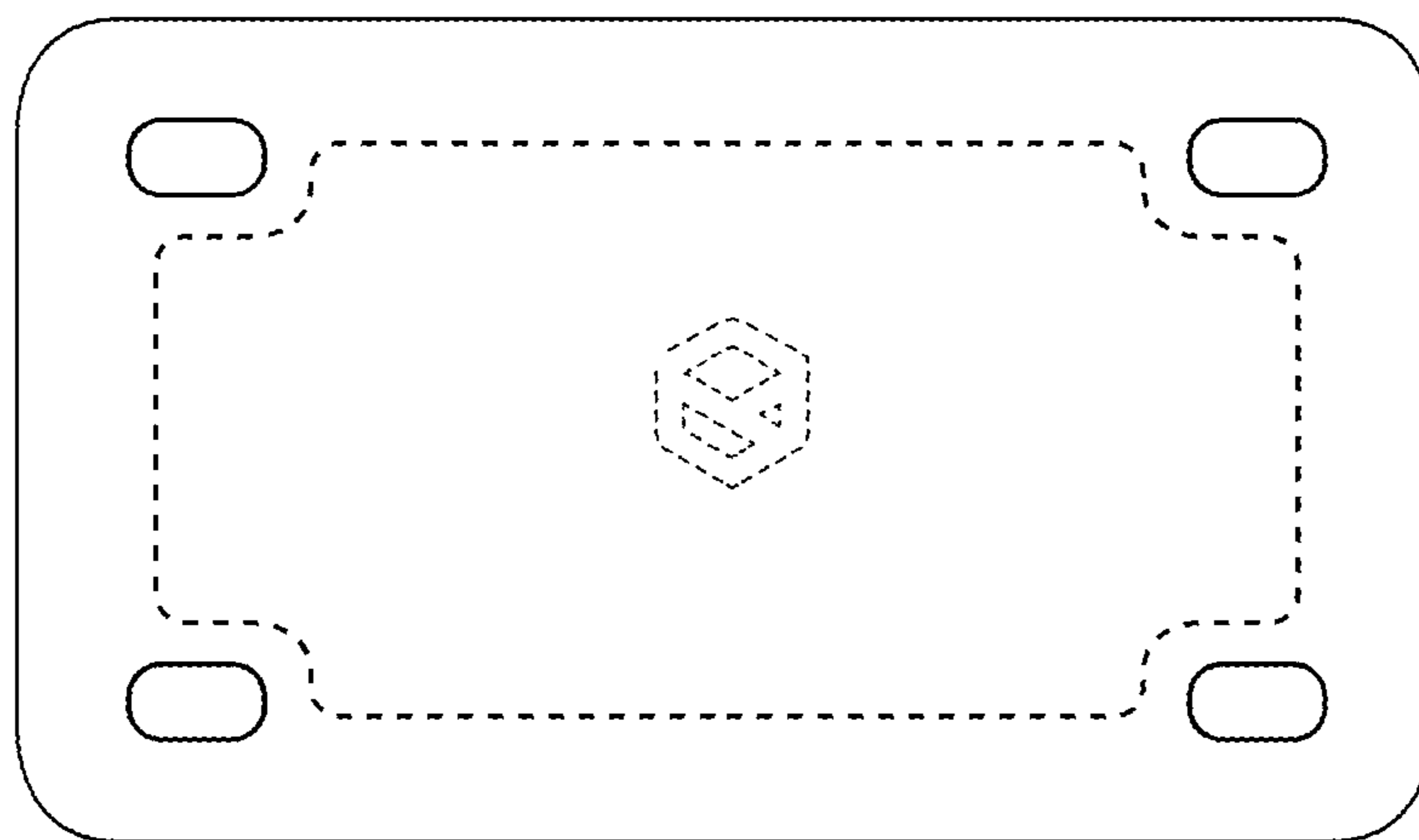


FIG. 3



FIG. 4



FIG. 5



FIG. 6



FIG. 7