



US00D928676S

(12) **United States Design Patent** (10) **Patent No.:** **US D928,676 S**
Hoover (45) **Date of Patent:** **** Aug. 24, 2021**

(54) **FENDER**
(71) Applicant: **Matthew Brett Hoover**, Greenbrae, CA (US)
(72) Inventor: **Matthew Brett Hoover**, Greenbrae, CA (US)
(**) Term: **15 Years**
(21) Appl. No.: **29/733,064**

4,735,427 A * 4/1988 Fuchs B60R 13/0861
280/847
D308,953 S * 7/1990 Godbersen D12/106
D314,735 S * 2/1991 Godbersen D12/106
5,074,573 A * 12/1991 Dick B62D 25/186
280/157
D337,298 S * 7/1993 Van Wyhe D12/184
D385,512 S * 10/1997 Nielsen, III D12/106
D386,130 S * 11/1997 Nielsen, III D12/106
D387,016 S * 12/1997 Nielsen, III D12/106
D389,786 S * 1/1998 McCullum D12/106
(Continued)

(22) Filed: **Apr. 29, 2020**
(51) **LOC (13) Cl.** **12-16**
(52) **U.S. Cl.**
USPC **D12/184**
(58) **Field of Classification Search**
USPC ... D12/1, 14, 82, 85, 86, 88, 89, 90, 91, 92,
D12/93, 96, 97, 98, 99, 164, 167, 169,
D12/170, 171, 172, 173, 181, 184, 185,
D12/190, 192, 196, 400; D21/533, 548,
D21/552, 561
CPC B62D 25/02; B62D 25/04; B62D 25/16;
B62D 25/18; B62D 25/161; B62D
25/168; B62D 25/182; B60J 5/00; B60J
5/02; B60J 5/04; B60J 5/10; B60R 19/00
See application file for complete search history.

OTHER PUBLICATIONS

Onewheel Fender, Published date unavailable [online], [retrieved on May 27, 2021], Retrieved from the Internet: <https://shop.flauntvehicles.com/products/magnetic-fender-craft-ride-spectrum> (Year: 2021).*

Primary Examiner — Christian P. McLean
Assistant Examiner — Adam C Mager
(74) *Attorney, Agent, or Firm* — Dunlap Bennett & Ludwig, PLLC; Brendan E. Squire

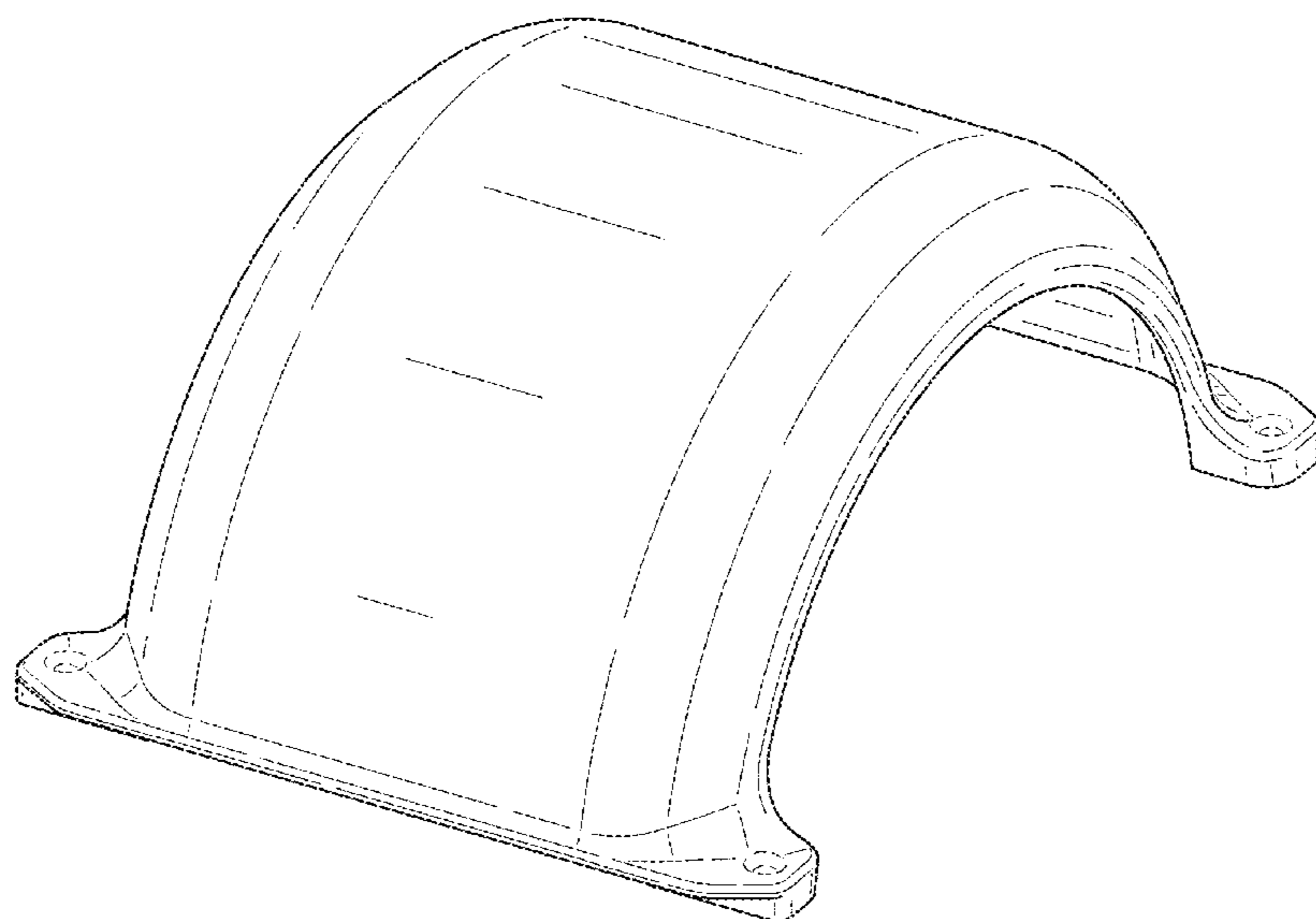
(56) **References Cited**
U.S. PATENT DOCUMENTS
D47,258 S * 4/1915 Green D12/184
1,551,813 A * 9/1925 Dunn B62D 25/166
280/854
1,704,048 A * 3/1929 Jordan B62D 25/18
280/847
2,068,732 A * 1/1937 Cadwallader B62D 25/184
280/848
D234,502 S * 3/1975 Hanagan D12/186
D242,913 S * 1/1977 Petty D12/186
D246,645 S * 12/1977 Petty D12/186
4,447,067 A * 5/1984 Yamashita B62D 25/161
280/848

(57) **CLAIM**
The ornamental design for a fender, as shown and described.

DESCRIPTION

FIG. 1 is a top perspective view of a fender showing my new design;
FIG. 2 is a bottom perspective view thereof;
FIG. 3 is a front elevation view thereof, the rear elevation view being an identical image thereof;
FIG. 4 is a left side elevation view thereof, the right side elevation view being an identical image thereof;
FIG. 5 is a top plan view thereof; and,
FIG. 6 is a bottom plan view thereof.
The broken lines shown in the drawings illustrate portions of the fender that form no part of the claimed design.

1 Claim, 4 Drawing Sheets



(56)

References Cited

U.S. PATENT DOCUMENTS

D422,251 S * 4/2000 Bader D12/173
 D432,472 S * 10/2000 Tart D12/185
 D433,352 S * 11/2000 Boyd D12/106
 6,354,625 B1 * 3/2002 Lambertus B62D 25/168
 280/154
 6,799,782 B2 * 10/2004 Jain B62D 25/161
 280/847
 6,802,517 B1 * 10/2004 Wuthrich B62D 25/18
 280/157
 D499,994 S * 12/2004 Sugimoto D12/186
 D524,202 S * 7/2006 Devitt D12/106
 D549,624 S * 8/2007 Jones D12/184
 D560,583 S * 1/2008 Simons D12/196
 7,384,071 B2 * 6/2008 Hartmann B62D 25/168
 280/154
 D580,328 S * 11/2008 Jones D12/184
 D581,845 S * 12/2008 Longpre D12/107
 7,832,751 B2 * 11/2010 Fischer B62J 15/00
 280/154
 7,874,592 B2 * 1/2011 Eklund B62D 25/168
 280/854
 D642,102 S * 7/2011 Scott D12/184
 D647,016 S * 10/2011 Medina D12/181

D647,443 S * 10/2011 Jones D12/184
 8,167,335 B2 * 5/2012 Takeuchi B62D 25/18
 280/851
 8,388,003 B2 * 3/2013 Wellman B62D 25/186
 280/157
 D694,686 S * 12/2013 Deluy D12/186
 D695,171 S * 12/2013 Riggs D12/184
 8,820,822 B2 * 9/2014 Witkop B62D 25/161
 296/198
 8,882,121 B2 * 11/2014 Ducroquet B62D 25/18
 280/157
 D736,880 S * 8/2015 Moore D21/772
 9,193,392 B2 * 11/2015 Lodi B62D 25/163
 10,400,422 B2 * 9/2019 Angelo E02F 9/0858
 10,526,031 B2 * 1/2020 Freytag B62D 63/04
 D910,533 S * 2/2021 Silveri D12/414.1
 2006/0108765 A1 * 5/2006 Teich B62D 25/186
 280/157
 2007/0187941 A1 * 8/2007 Eklund B62D 25/166
 280/848
 2012/0091753 A1 * 4/2012 Marlier B62D 25/16
 296/180.1
 2013/0313389 A1 * 11/2013 Lodi B62D 25/166
 248/214
 2021/0122427 A1 * 4/2021 Shih B62D 25/161

* cited by examiner

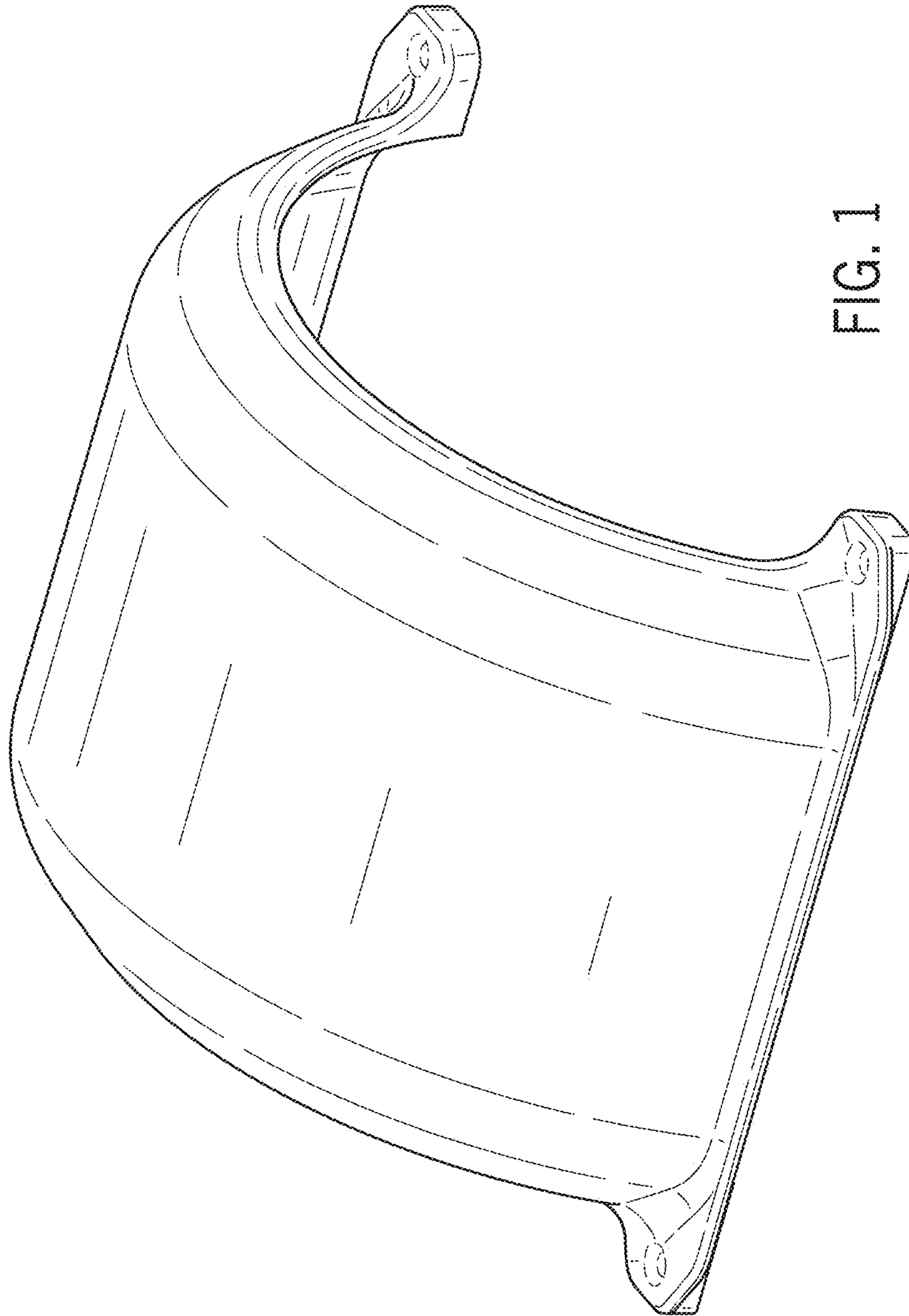


FIG. 1

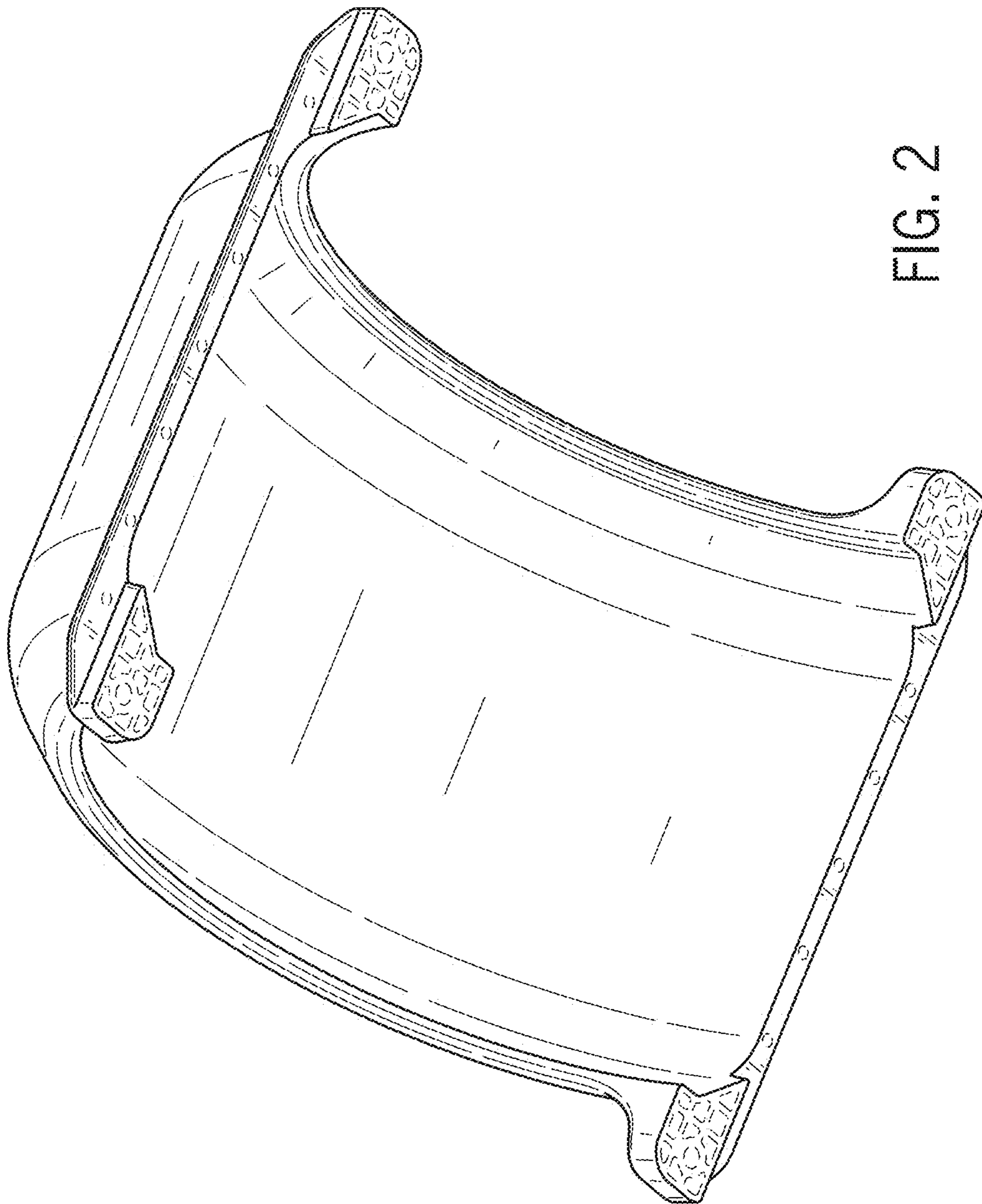


FIG. 2

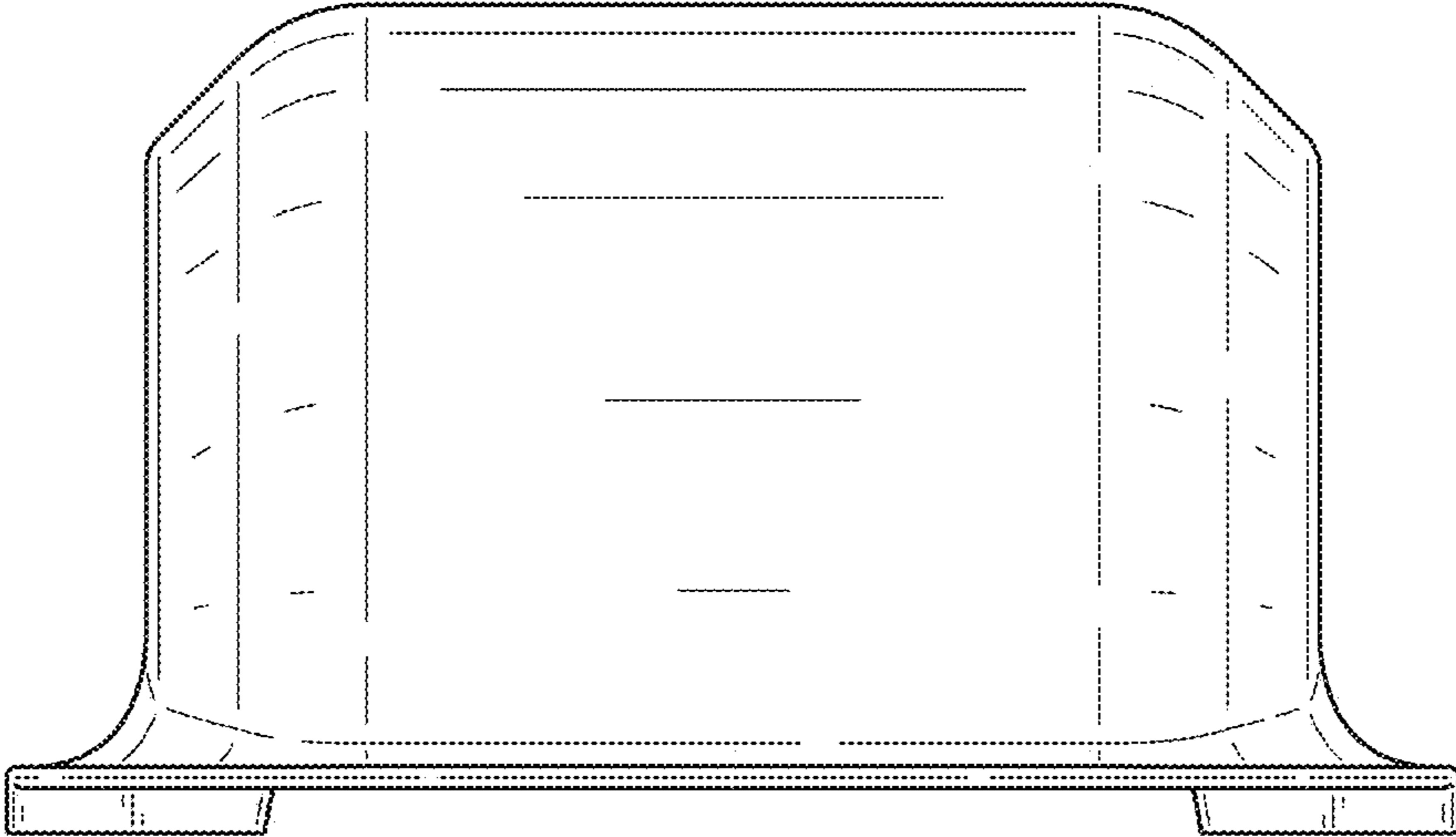


FIG. 3

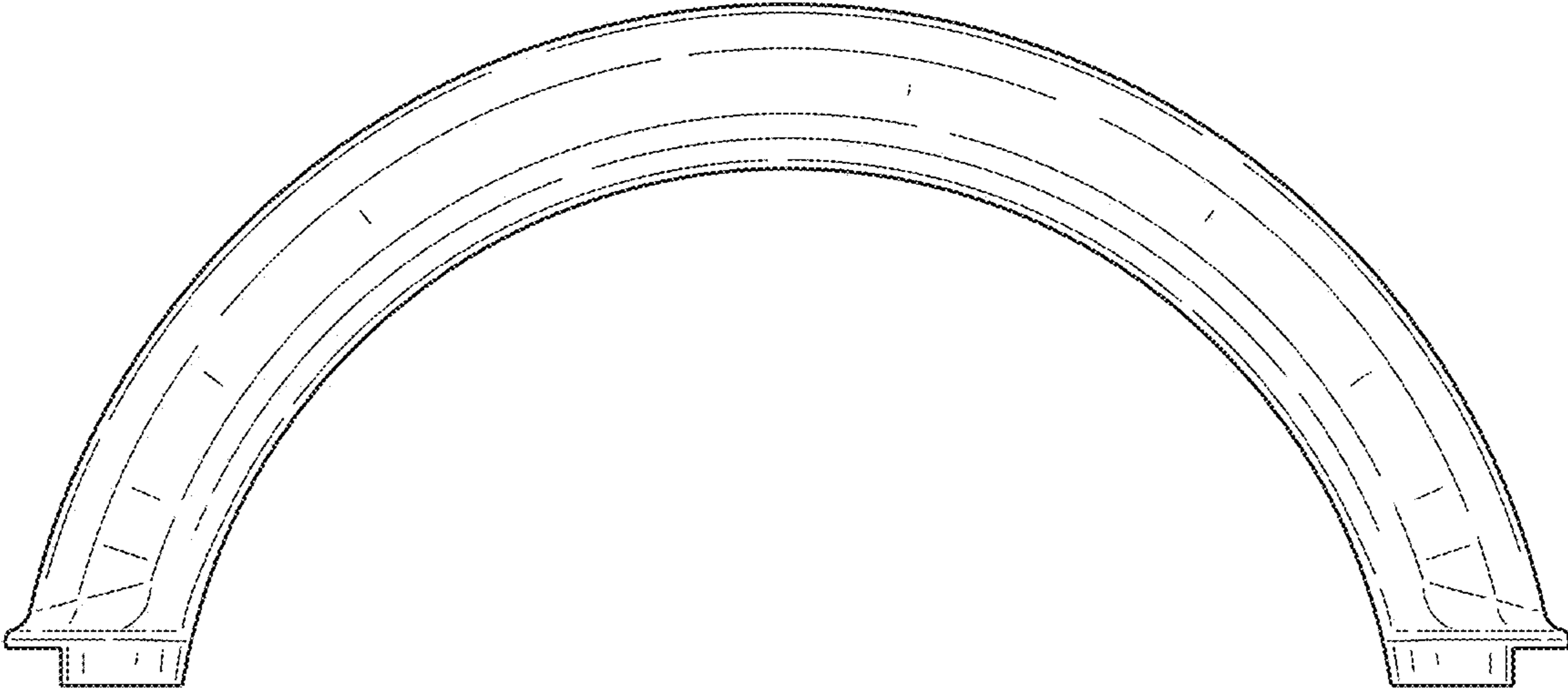


FIG. 4

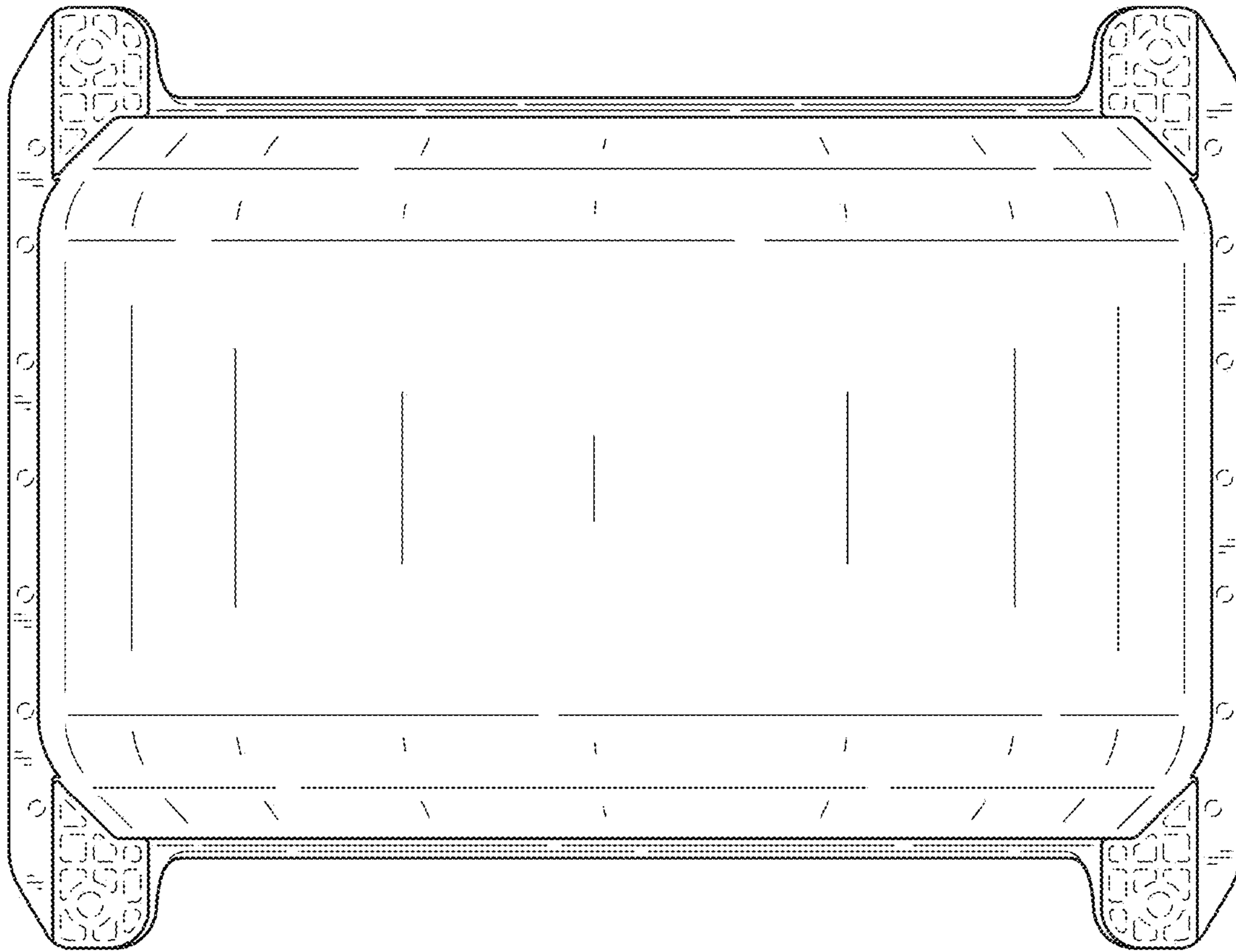


FIG. 6

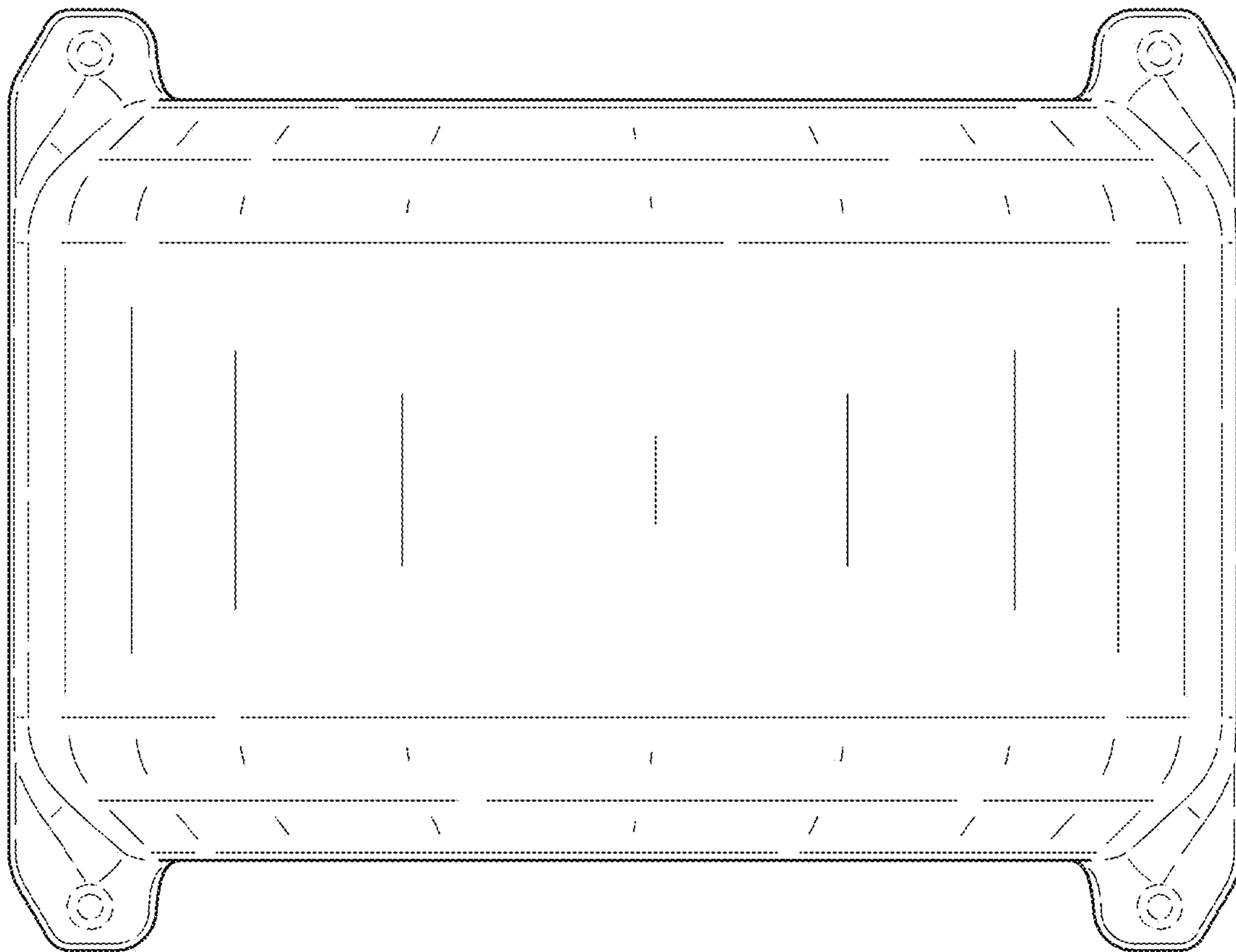


FIG. 5