



US00D928674S

(12) **United States Design Patent** (10) **Patent No.:** **US D928,674 S**
Lindsly et al. (45) **Date of Patent:** **** Aug. 24, 2021**

(54) **BRAKE CALIPER HARDWARE**

FOREIGN PATENT DOCUMENTS

(71) Applicant: **Preferred Tool & Die, Inc.**, Shelton, CT (US)

CN 202381608 U 8/2012
GB 2258701 A 2/1993

(72) Inventors: **Zack Lindsly**, Shelton, CT (US); **Tom Reynolds**, Shelton, CT (US)

Primary Examiner — Susan E Krakower

Assistant Examiner — Jerry Shiuan-Hua Hsu

(73) Assignee: **Preferred Tool & Die, Inc.**, Shelton, CT (US)

(74) *Attorney, Agent, or Firm* — St. Onge Steward Johnston & Reens, LLC

(**) Term: **15 Years**

(57) **CLAIM**

The ornamental design for a brake caliper hardware, as shown and described.

(21) Appl. No.: **29/719,863**

(22) Filed: **Jan. 8, 2020**

DESCRIPTION

(51) **LOC (13) Cl.** **12-16**

(52) **U.S. Cl.**
USPC **D12/180**

(58) **Field of Classification Search**
USPC D12/14, 174, 180; D8/395
CPC .. F16D 65/12; F16D 65/0978; F16D 65/0977;
F16D 65/0973; F16D 65/0972; F16D
65/0006; F16D 65/092; F16D 65/097;
F16D 55/225; F16D 55/226; F16D
55/227; F16D 55/22

See application file for complete search history.

FIG. 1 is a top front isometric view of a first component of a brake caliper hardware in accordance with the new design; FIG. 2 is a front elevational view thereof; FIG. 3 is a left side elevational view thereof; FIG. 4 is a right side elevational view thereof; FIG. 5 is a top plan view thereof; FIG. 6 is a rear elevational view thereof; and FIG. 7 is a bottom plan view thereof. FIG. 8 is a top front isometric view of a second component of a brake caliper hardware in accordance with the new design; FIG. 9 is a front elevational view thereof; FIG. 10 is a left side elevational view thereof; FIG. 11 is a right side elevational view thereof; FIG. 12 is a rear elevational view thereof; FIG. 13 is a top plan view thereof; and, FIG. 14 is a bottom plan view thereof. FIG. 15 is a top front isometric view of the first and second components of the brake caliper hardware, shown positioned in a brake caliper. The dash dot broken lines in FIG. 15 illustrate portions of the environmental structure and form no part of the claimed design.

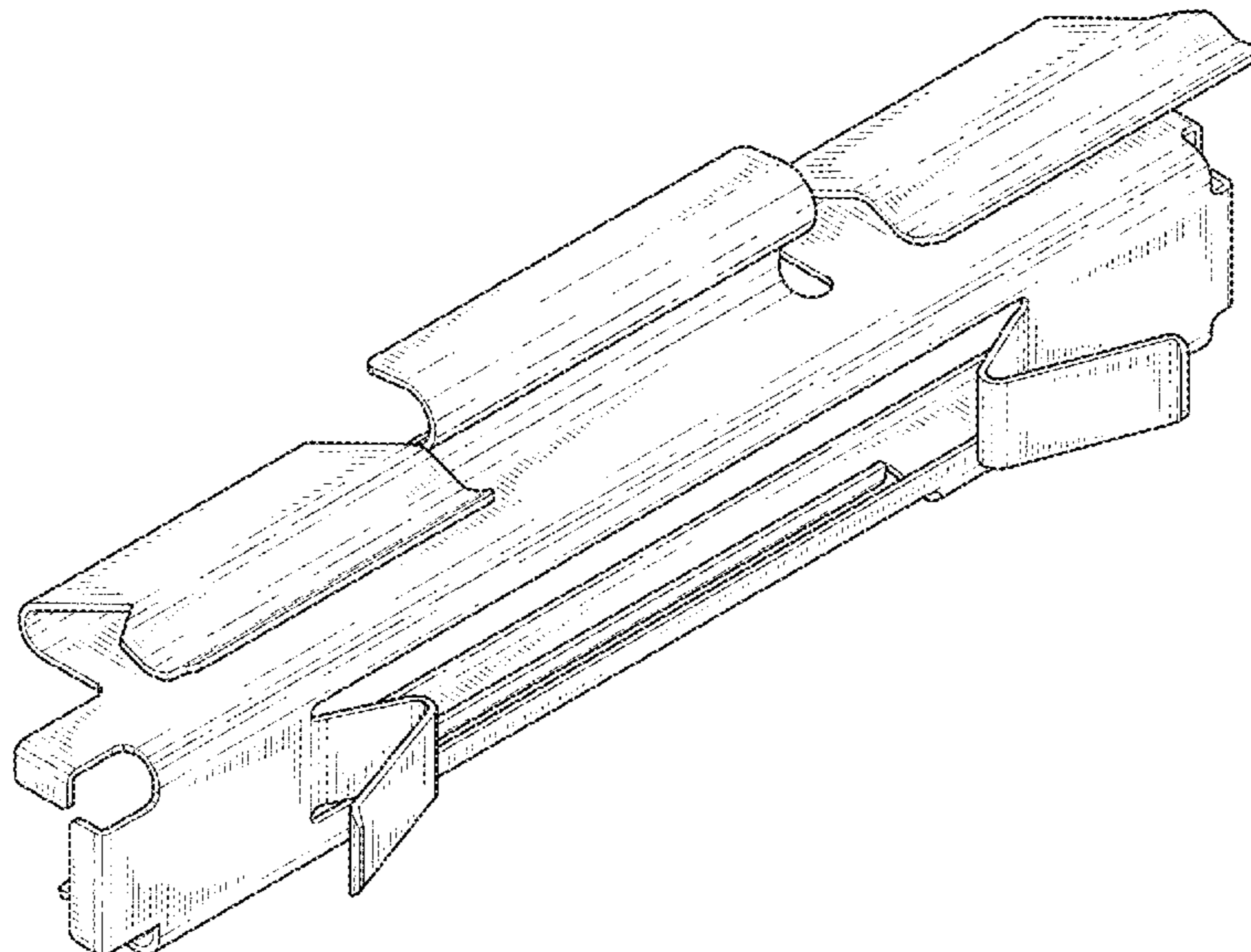
(56) **References Cited**

U.S. PATENT DOCUMENTS

3,460,651 A	8/1969	Burnett
D258,875 S	4/1981	Weiner
D357,663 S	4/1995	Evans
5,472,067 A	12/1995	Fujiwara
5,511,638 A	4/1996	Tsuruta
5,687,817 A	11/1997	Kobayashi et al.
5,699,882 A	12/1997	Ikegami et al.
5,901,815 A	5/1999	Kobayashi et al.
5,947,233 A	9/1999	Kobayashi et al.
6,179,095 B1	1/2001	Weiler et al.
6,378,666 B1	4/2002	Yoko
D468,242 S	1/2003	Iida

(Continued)

1 Claim, 9 Drawing Sheets



(56)

References Cited

U.S. PATENT DOCUMENTS

D468,243 S	1/2003	Iida		9,677,629 B2 *	6/2017	Boyle	F16D 55/225
D473,127 S	4/2003	Yoko		9,810,276 B2	11/2017	Roberts	
D478,501 S	8/2003	Yoko		9,970,495 B2	5/2018	Crippa et al.	
D481,659 S	11/2003	Reimann		10,012,277 B2	7/2018	Eash	
D483,709 S	12/2003	Byrd et al.		10,066,684 B2 *	9/2018	Shin	F16D 65/0972
D489,655 S	5/2004	Byrd et al.		10,174,799 B2	1/2019	Toguri et al.	
7,219,773 B2	5/2007	Ono		10,400,838 B2 *	9/2019	Reynolds	F16D 65/0977
7,299,903 B2	11/2007	Rockwell et al.		D861,560 S *	10/2019	Lindsly	D12/180
D563,830 S	3/2008	Takeda et al.		D878,260 S *	3/2020	Lindsly	D12/180
7,467,693 B2	12/2008	Barbosa et al.		D878,984 S *	3/2020	Lindsly	D12/180
7,644,809 B2	1/2010	Cortinovis et al.		2004/0256183 A1	12/2004	Barbosa et al.	
7,766,131 B2 *	8/2010	Hayashi	F16D 65/0972	2004/0262099 A1	12/2004	Crippa	
			188/73.37	2007/0251772 A1	11/2007	Tsurumi	
D629,342 S	12/2010	Fallot		2009/0152056 A1	6/2009	Heinz et al.	
7,849,982 B1	12/2010	Tamura et al.		2009/0321198 A1	12/2009	Barland	
8,020,674 B2	9/2011	Miura et al.		2010/0051393 A1	3/2010	Arioka	
8,276,718 B2	10/2012	Bach et al.		2010/0065387 A1	3/2010	Tsiberidis	
8,371,422 B2	2/2013	Frost et al.		2010/0147635 A1	6/2010	Hayashi	
8,397,880 B2 *	3/2013	Chelaidite	F16D 65/0977	2010/0243385 A1	9/2010	Kaneko et al.	
			188/73.38	2011/0120821 A1 *	5/2011	Shimamura	F16D 65/0977
8,439,171 B2 *	5/2013	Kaneko	F16D 65/0977				188/234
			188/73.38	2011/0168503 A1	7/2011	Chelaidite	
8,671,604 B2	3/2014	Mallmann et al.		2012/0205205 A1	8/2012	Lethorn	
8,869,950 B2	10/2014	Maehara et al.		2013/0025981 A1 *	1/2013	Maehara	F16D 65/0978
9,062,729 B2	6/2015	Chelaidite					188/72.3
9,212,711 B2	12/2015	Gruber et al.		2013/0256068 A1	10/2013	Hazeki et al.	
9,267,559 B2	2/2016	Boyle		2015/0001011 A1 *	1/2015	Zhang	F16D 65/12
9,278,498 B2	3/2016	Collura					188/72.3
9,279,466 B2	3/2016	Miura		2016/0053837 A1	2/2016	Lou et al.	
9,422,992 B2	8/2016	Bach et al.		2016/0076611 A1	3/2016	Boyle	
				2016/0195148 A1	7/2016	Shin et al.	
				2018/0023645 A1	1/2018	Reynolds et al.	

* cited by examiner

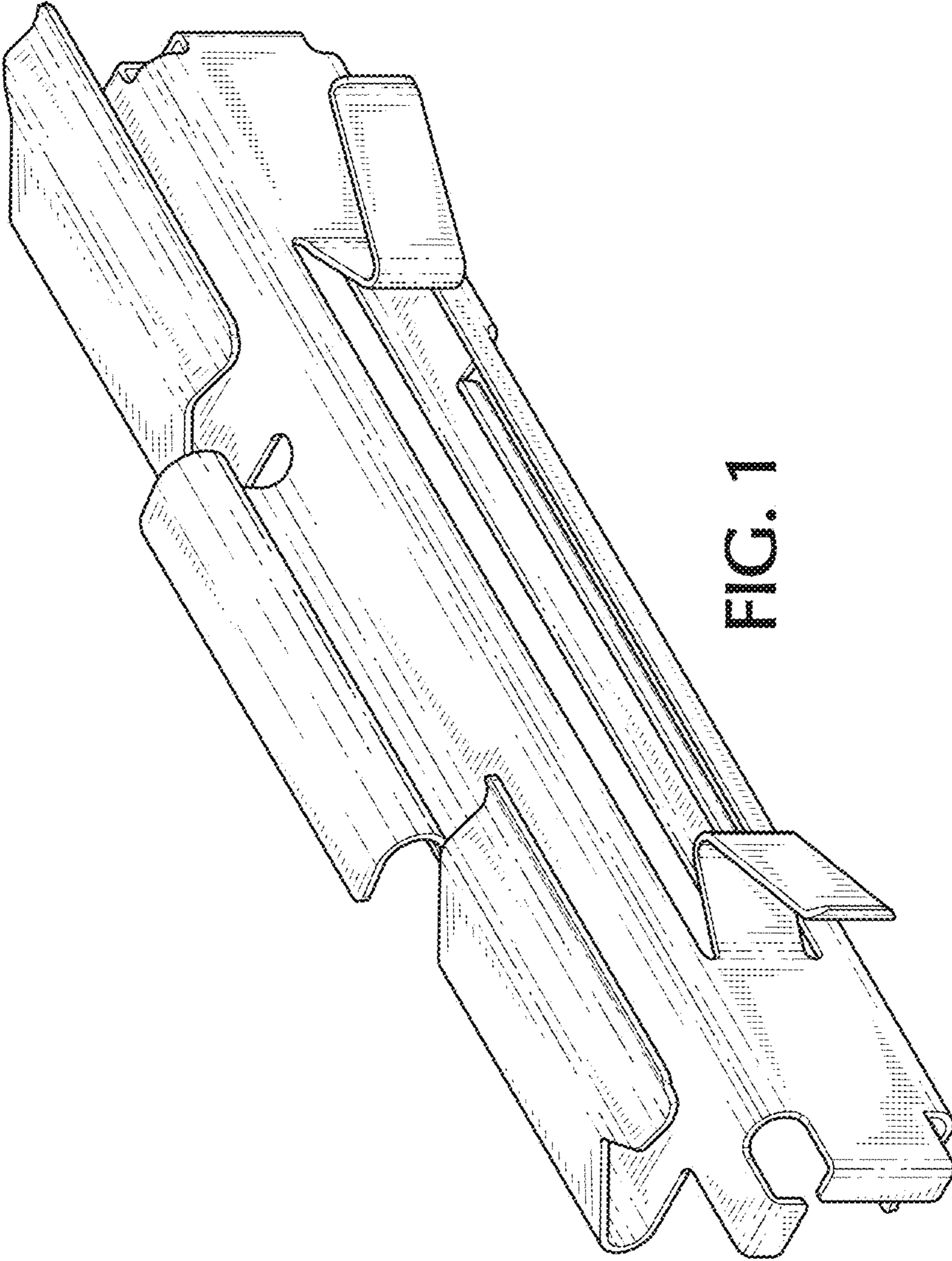


FIG. 1

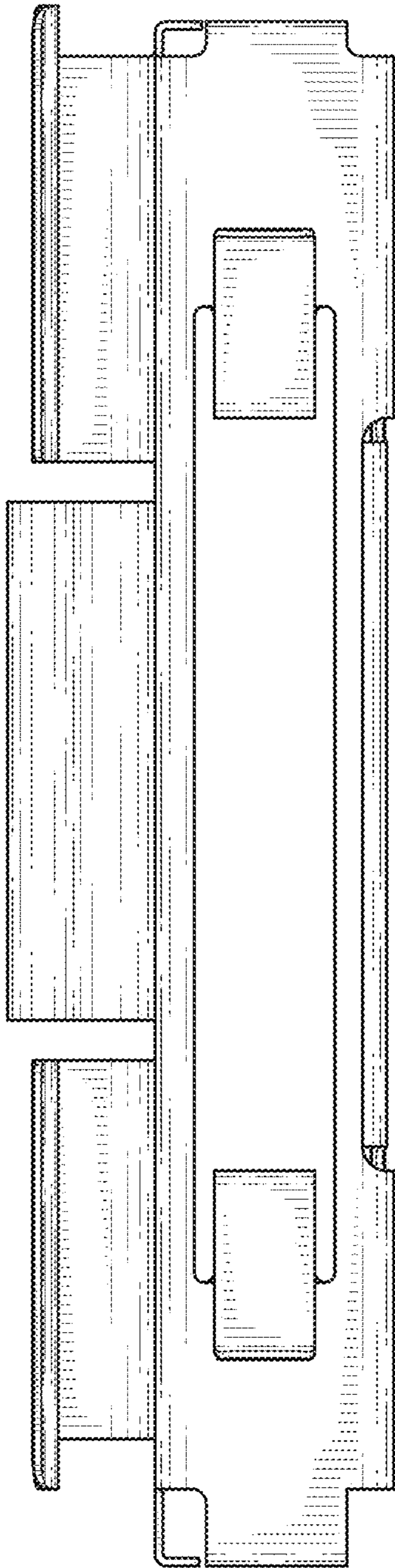


FIG. 2

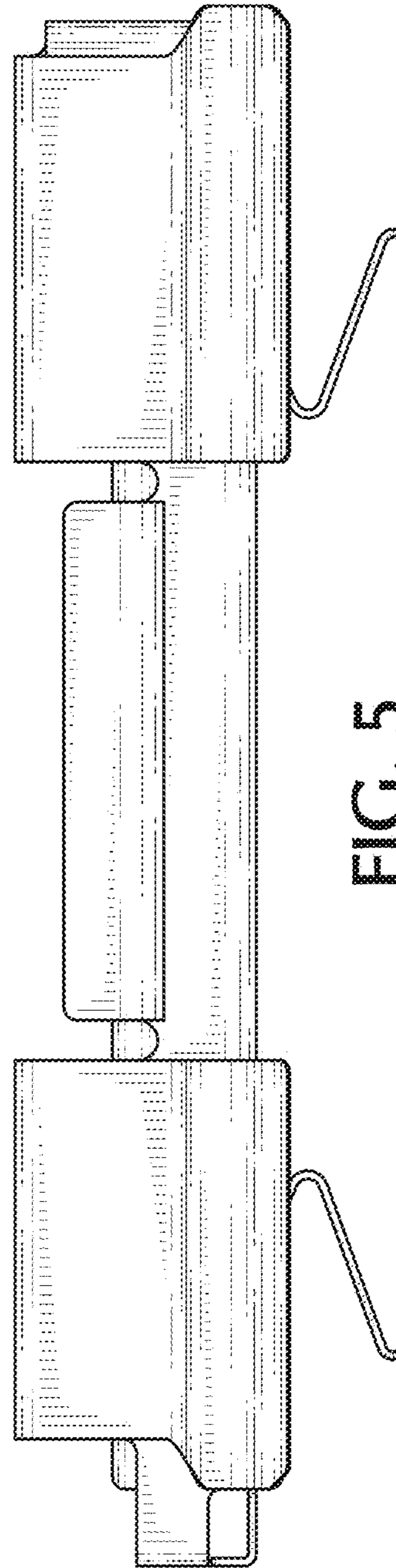


FIG. 5

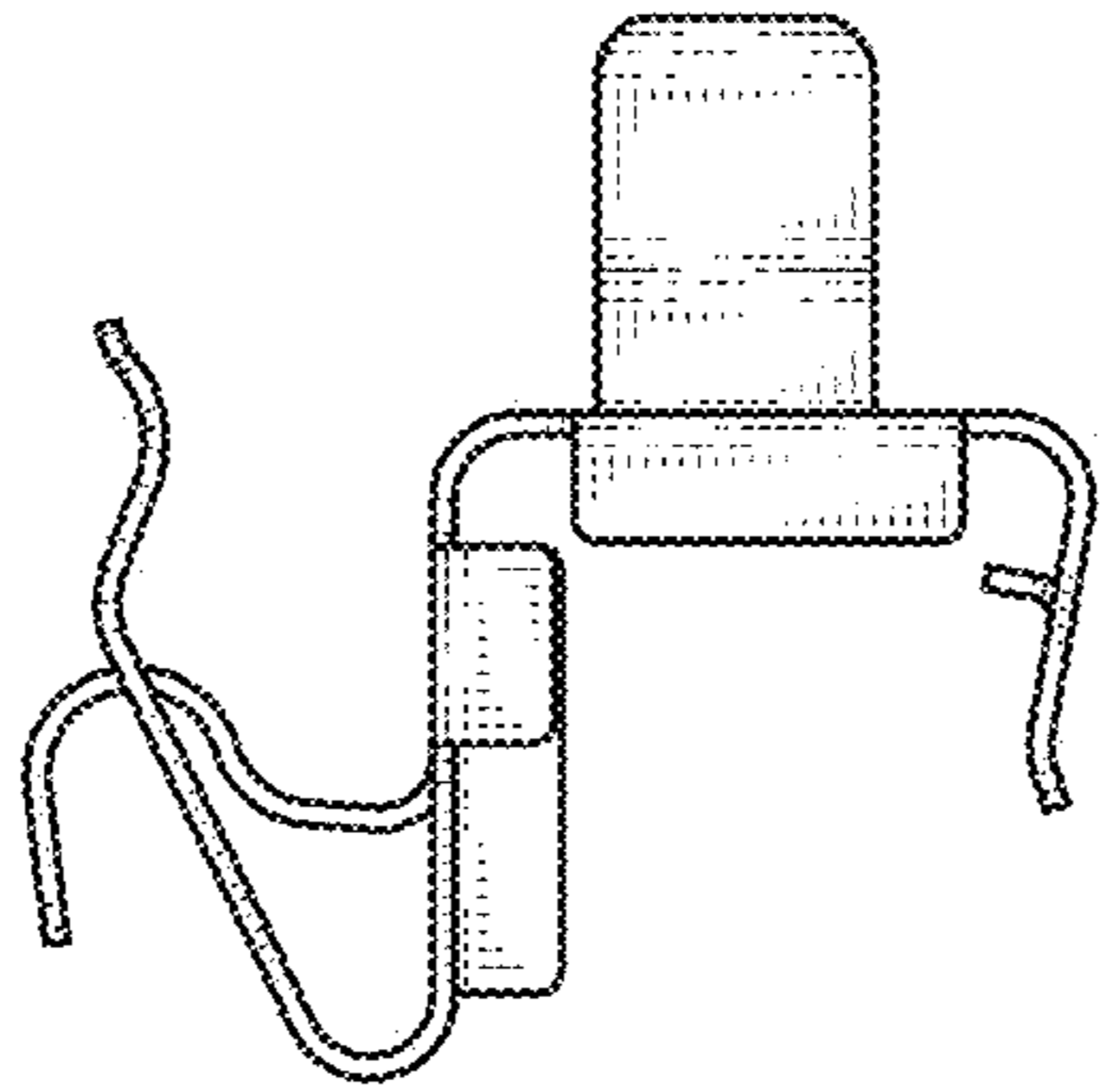


FIG. 4

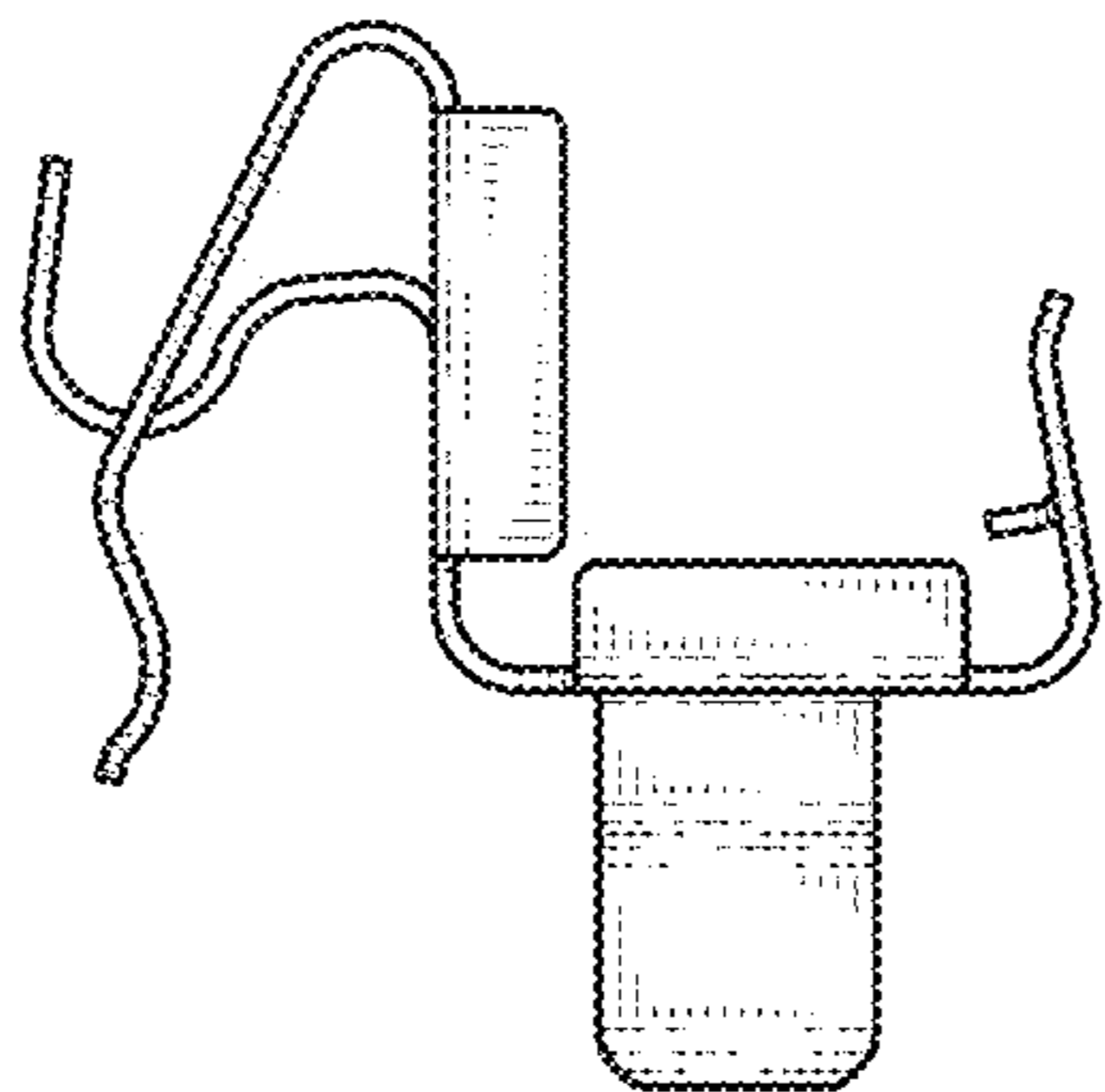


FIG. 3

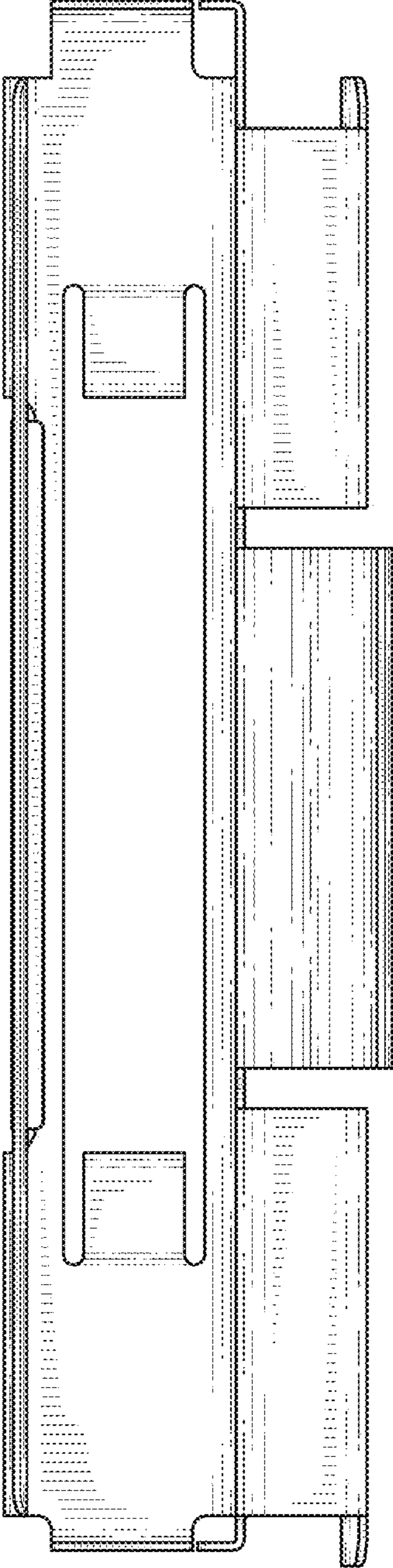


FIG. 6

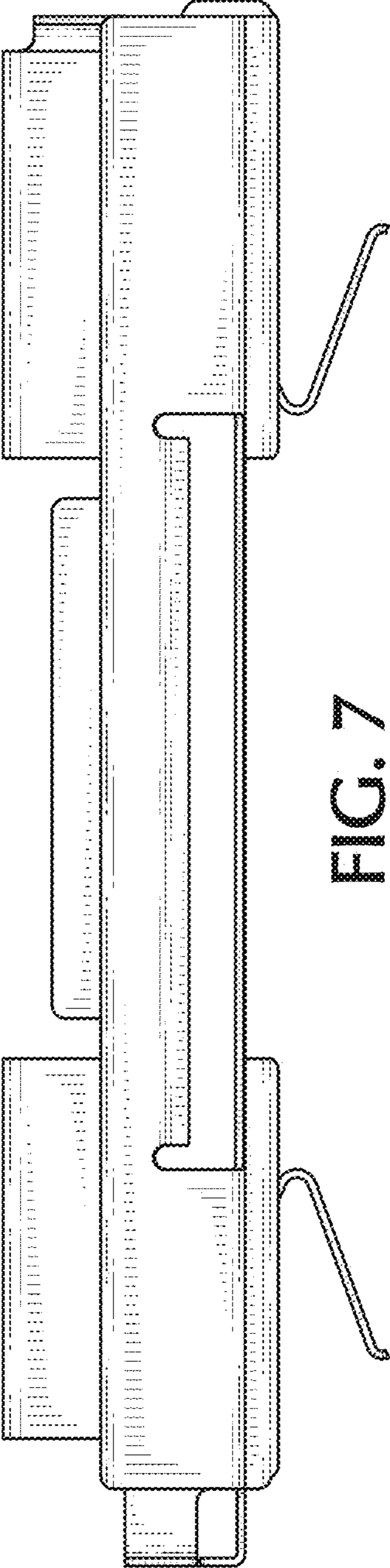


FIG. 7

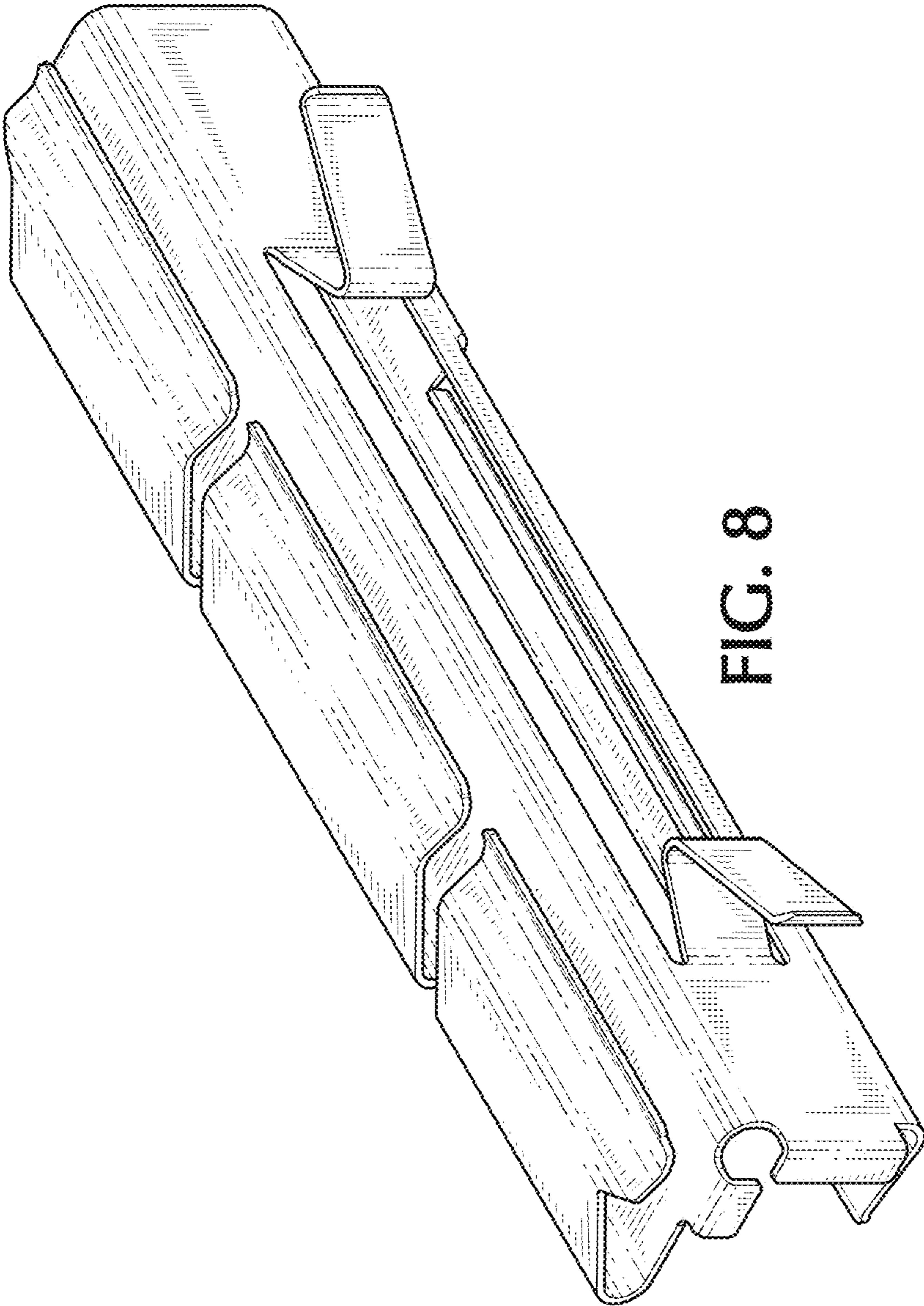


FIG. 8

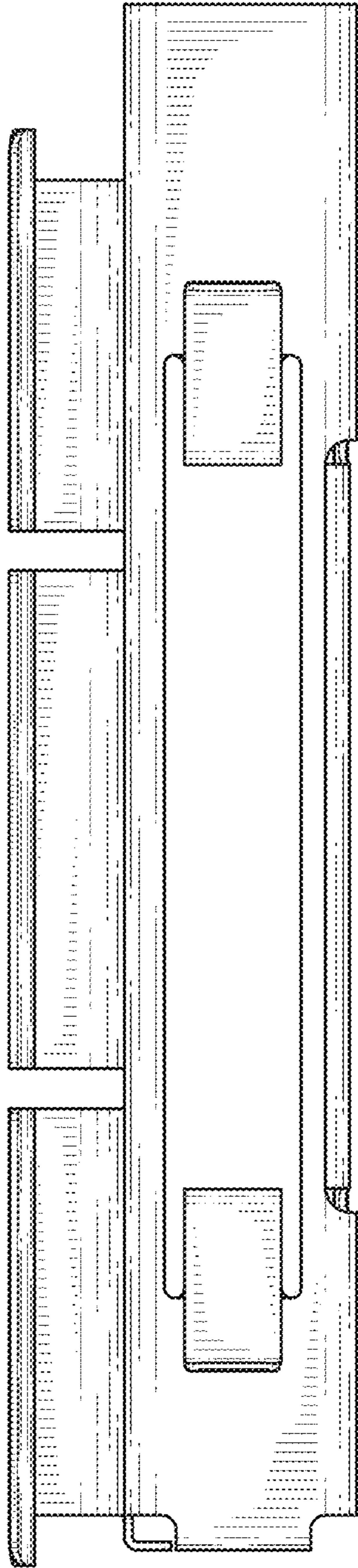


FIG. 9

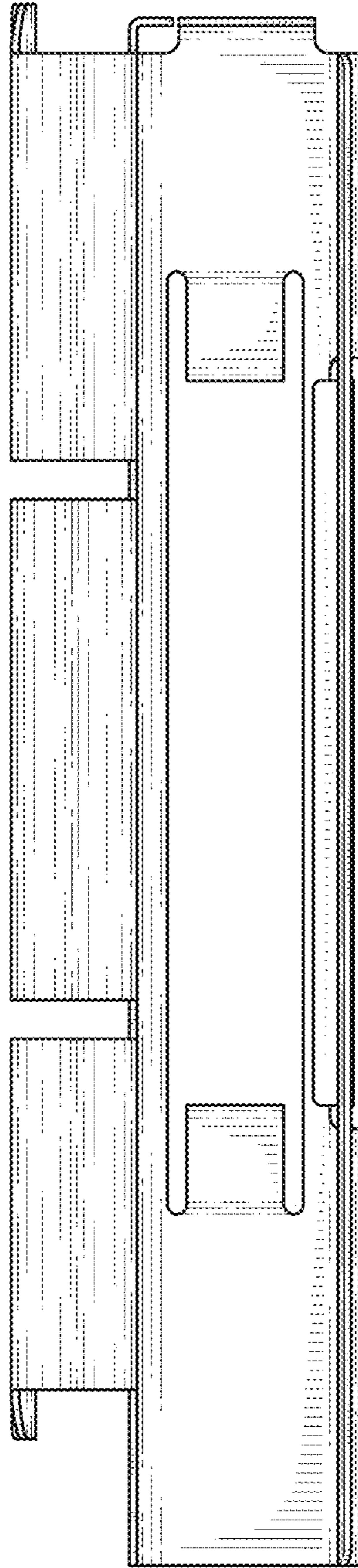


FIG. 12

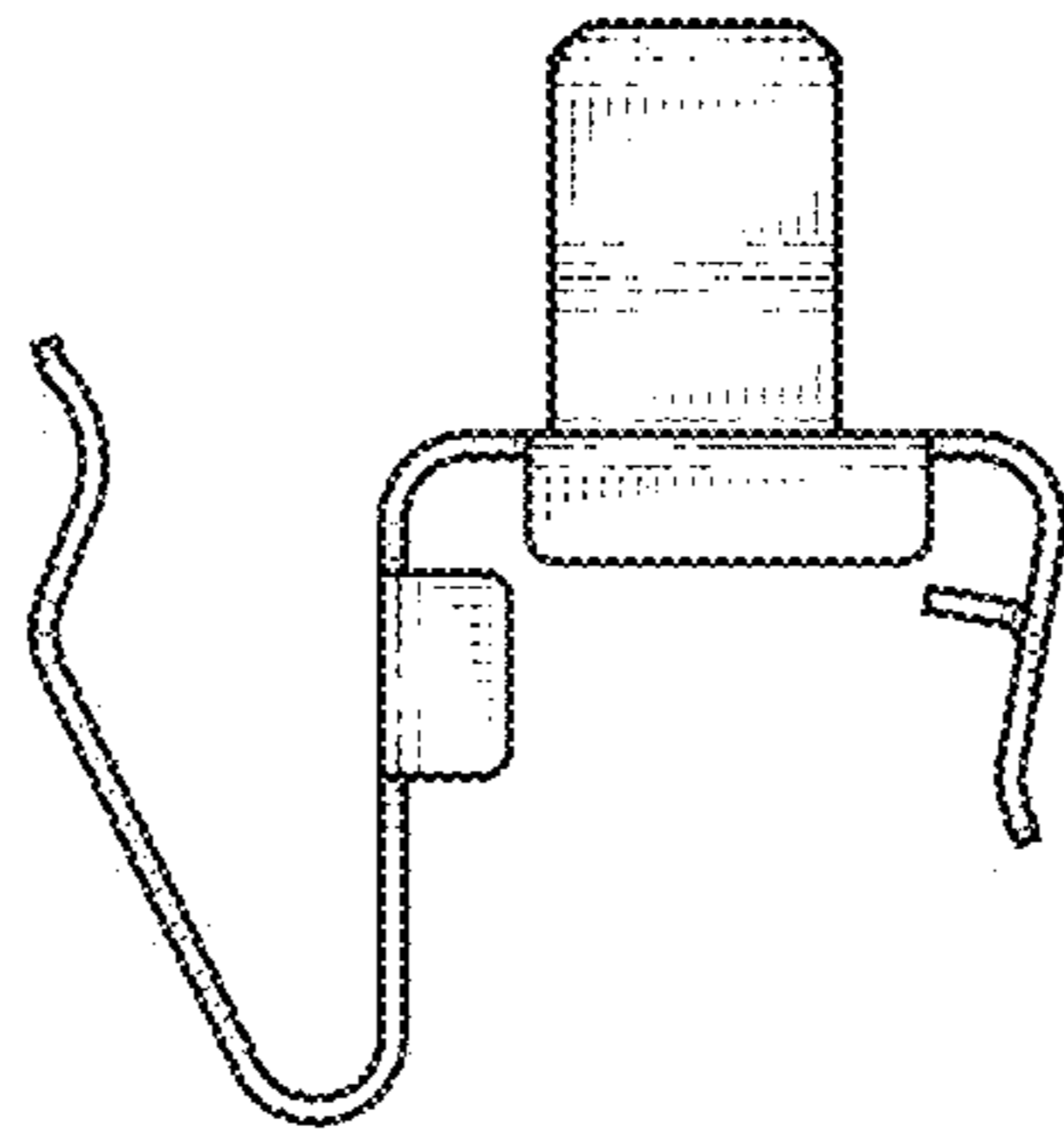


FIG. 11

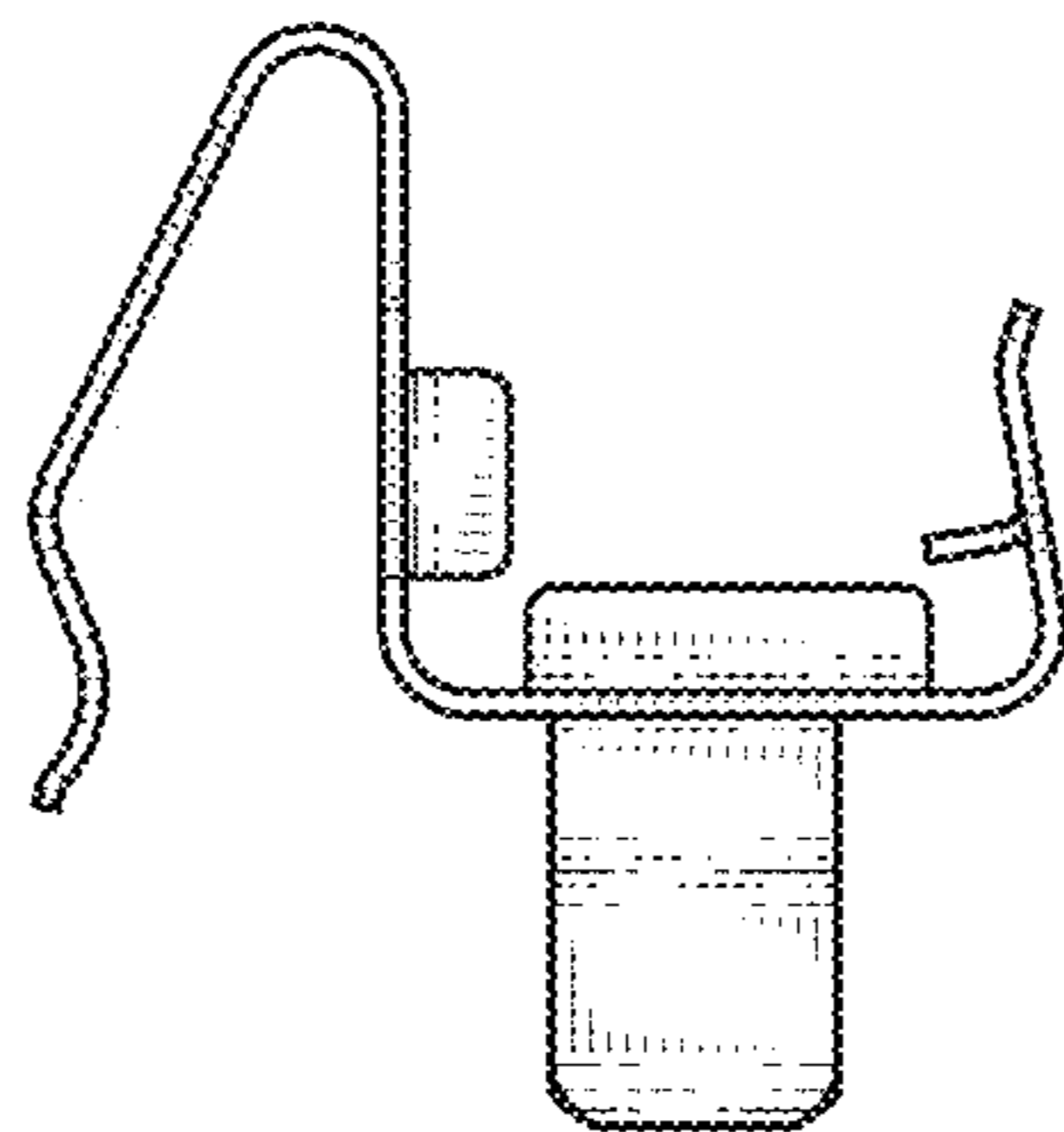


FIG. 10



FIG. 13

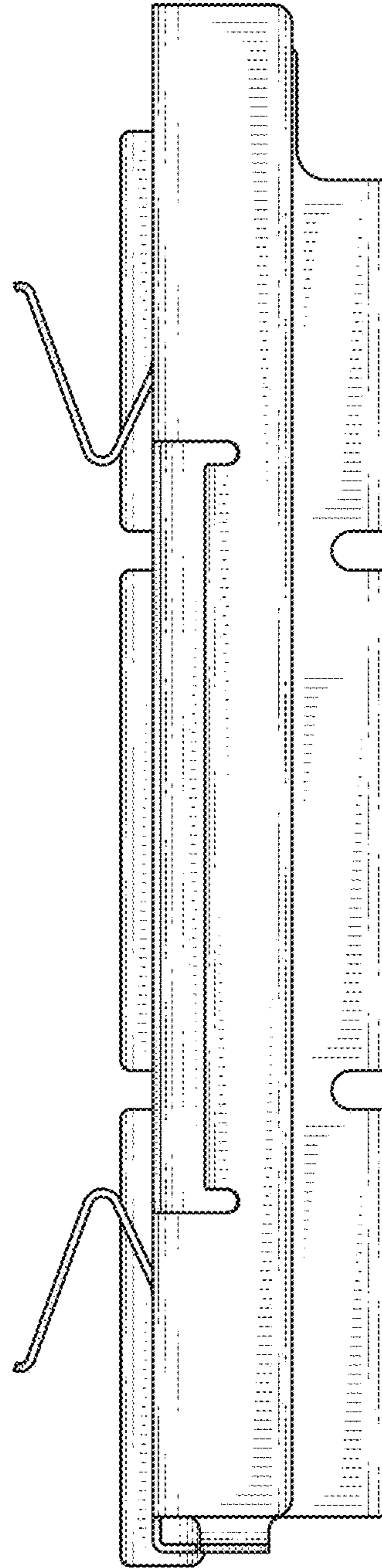


FIG. 14

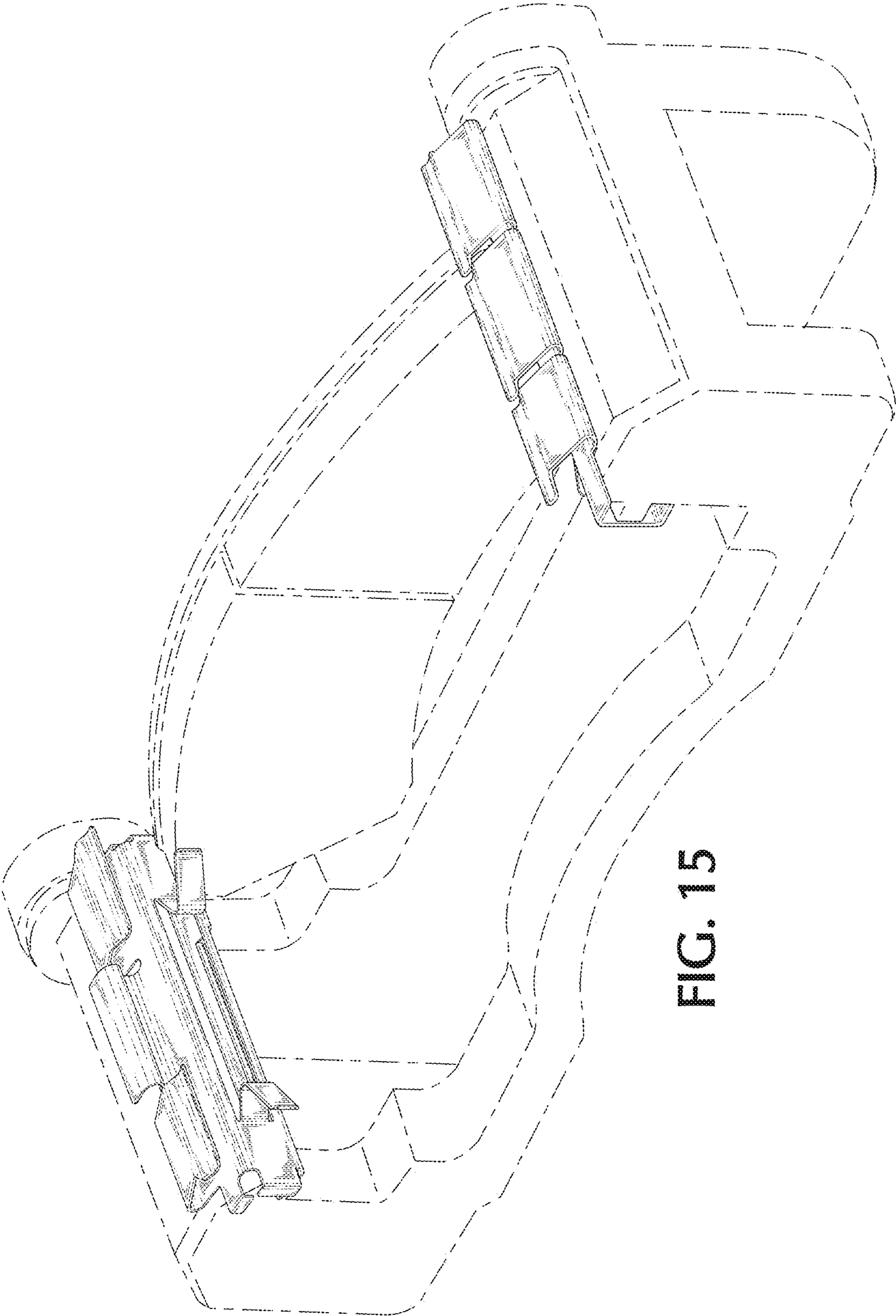


FIG. 15