



US00D928672S

(12) **United States Design Patent** (10) **Patent No.:** **US D928,672 S**
Gander et al. (45) **Date of Patent:** **** Aug. 24, 2021**

(54) **VEHICLE HOOD**
(71) Applicant: **Oshkosh Defense, LLC**, Oshkosh, WI (US)

6,520,494 B1 2/2003 Andersen et al.
D488,112 S * 4/2004 Satou D12/173
D494,900 S * 8/2004 Satou D12/173
6,779,806 B1 8/2004 Breitbach et al.
(Continued)

(72) Inventors: **Jesse Gander**, Oshkosh, WI (US);
Devon Palmer, Oshkosh, WI (US);
McCall Groen, Oshkosh, WI (US)

FOREIGN PATENT DOCUMENTS

EP 1 633 619 B1 6/2004
GB 2 400 588 A 1/2005
(Continued)

(73) Assignee: **Oshkosh Defense, LLC**, Oshkosh, WI (US)

OTHER PUBLICATIONS

(**) Term: **15 Years**

“Hoods.”(Design—© Questel) orbit.com. [Online PDF compilation of references selected by examiner] 38 pgs. Print Dates Range Dec. 7, 2012-Apr. 6, 2021 [Retrieved Apr. 14, 2021].*
(Continued)

(21) Appl. No.: **29/754,504**

(22) Filed: **Oct. 12, 2020**

Related U.S. Application Data

(60) Continuation of application No. 29/700,665, filed on Aug. 5, 2019, now Pat. No. Des. 902,096, which is a continuation of application No. 29/672,849, filed on Dec. 10, 2018, now Pat. No. Des. 860,887, which is a division of application No. 29/602,277, filed on Apr. 28, 2017, now Pat. No. Des. 837,702.

Primary Examiner — Brett Miller
Assistant Examiner — Suzanne E Tisdell
(74) *Attorney, Agent, or Firm* — Foley & Lardner LLP

(51) **LOC (13) Cl.** **12-08**

(57) **CLAIM**

We claim the ornamental design for a vehicle hood, as shown and described.

(52) **U.S. Cl.**
USPC **D12/173**

DESCRIPTION

(58) **Field of Classification Search**
USPC D12/86, 91, 93, 163, 164, 166, 167, 169, D12/171, 172, 173, 190, 216
CPC B60K 11/08; B60R 19/02; B60R 19/04; B60R 19/18; B60R 19/44; B60R 19/48; B60R 19/52; B60R 1/06; B60R 9/06
See application file for complete search history.

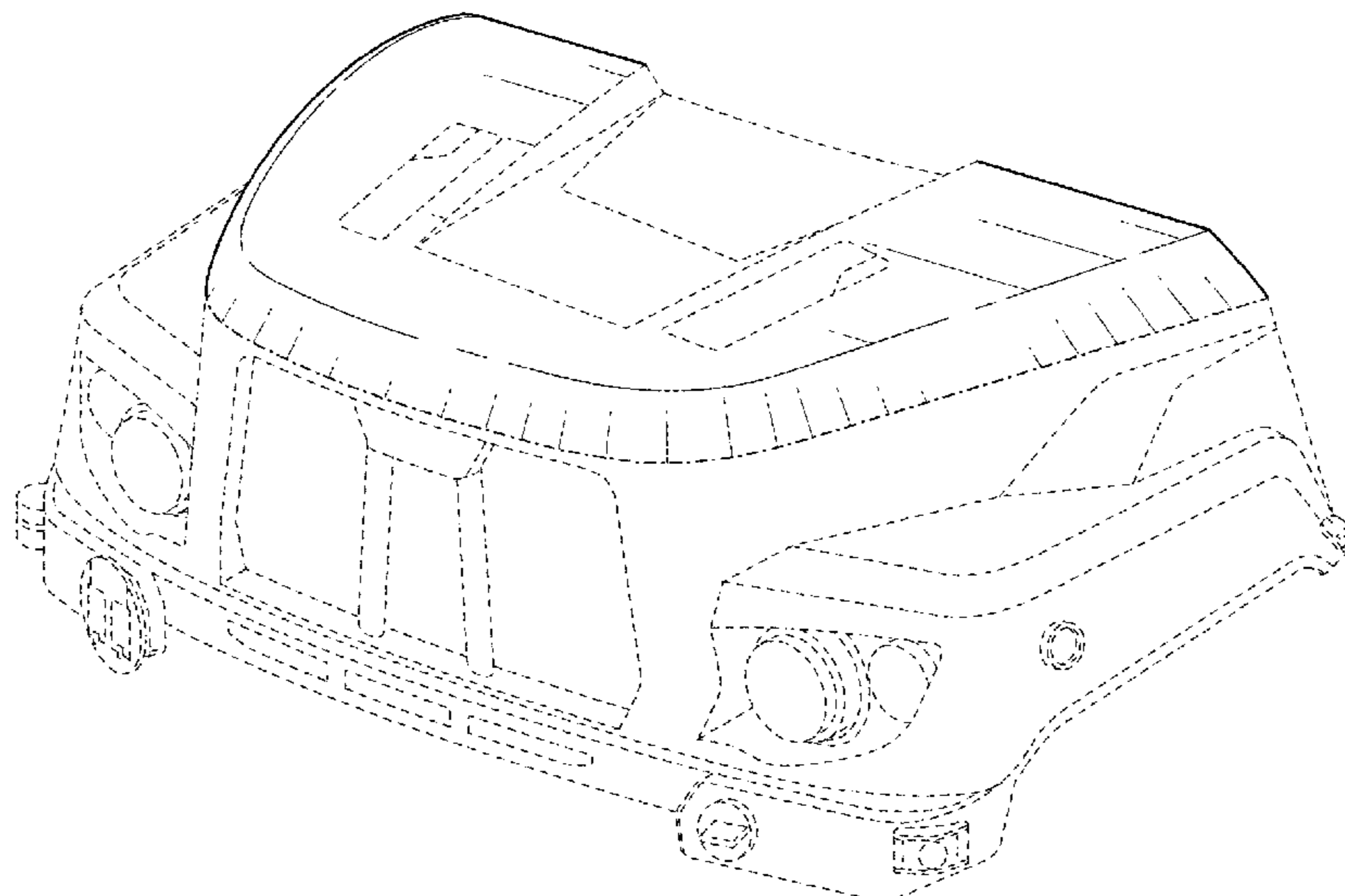
FIG. 1 is a front perspective view of the claimed design; FIG. 2 is a front view of the claimed design; FIG. 3 is a rear view of the claimed design; FIG. 4 is a right side view of the claimed design; FIG. 5 is a left side view of the claimed design; FIG. 6 is a top view of the claimed design; and, FIG. 7 is a bottom view of the claimed design. Evenly-spaced broken lines depict unclaimed portions of the vehicle hood. Broken lines in a dash-dot pattern depict boundaries between claimed and unclaimed portion of the vehicle hood, the boundaries themselves forming no part of the claim.

(56) **References Cited**

U.S. PATENT DOCUMENTS

818,399 A 4/1906 Wright
821,266 A 5/1906 Sturtevant et al.
4,322,106 A 3/1982 Nespor

1 Claim, 3 Drawing Sheets



(56)

References Cited

U.S. PATENT DOCUMENTS

7,073,620 B2 7/2006 Braun et al.
 D542,715 S 5/2007 Beigel et al.
 7,258,194 B2 8/2007 Braun et al.
 7,311,352 B2 12/2007 Flotzinger
 D563,849 S 3/2008 Medina et al.
 D572,642 S 7/2008 Steckling et al.
 7,472,914 B2 1/2009 Anderson et al.
 D613,224 S * 4/2010 Beigel D12/196
 D620,411 S * 7/2010 Beigel D12/196
 D620,412 S * 7/2010 Beigel D12/196
 D628,946 S * 12/2010 Cogswell D12/173
 D632,224 S 2/2011 Peltola et al.
 D632,234 S * 2/2011 Peltola D12/173
 D634,683 S * 3/2011 Kuze D12/173
 D641,669 S * 7/2011 Vardis D12/173
 D646,203 S 10/2011 Thompson et al.
 D654,401 S 2/2012 Peltola et al.
 D685,294 S 7/2013 Hanson et al.
 D708,553 S 7/2014 Conway et al.
 D708,986 S 7/2014 Conway et al.
 D709,408 S 7/2014 Peltola et al.
 D711,786 S 8/2014 Brzustowicz et al.
 D711,788 S 8/2014 Brzustowicz
 D719,879 S 12/2014 Ito et al.
 8,972,116 B2 3/2015 Leach et al.
 9,016,766 B2 4/2015 Silva et al.
 9,045,014 B1 6/2015 Verhoff et al.
 D737,866 S 9/2015 Datema et al.
 9,199,293 B2 12/2015 Joyce et al.
 9,327,768 B2 5/2016 Donabedian et al.
 D771,539 S 11/2016 Brzustowicz et al.
 9,494,170 B2 11/2016 Hou
 9,656,640 B1 5/2017 Verhoff et al.
 D799,380 S 10/2017 Cosme et al.
 D805,981 S 12/2017 Conway et al.
 D813,771 S * 3/2018 Anderson D12/196
 D818,399 S 5/2018 Frascella
 D818,879 S 5/2018 Kochi et al.
 D820,160 S 6/2018 Smock et al.
 D820,163 S 6/2018 Woodhouse et al.
 D820,175 S 6/2018 Ishigaki

D820,730 S 6/2018 Wang et al.
 D821,266 S 6/2018 Hagino et al.
 D823,755 S * 7/2018 Rolfs D12/173
 D843,281 S * 3/2019 Gander B60T 7/20
 D12/173
 D873,188 S * 1/2020 Rolfs D12/173
 D876,297 S * 2/2020 Wheel D12/173
 D880,382 S * 4/2020 Izard D12/173
 D888,624 S * 6/2020 Badstuebner D12/164
 D894,063 S * 8/2020 Dionisopoulos D12/173
 D902,807 S * 11/2020 Ruiz D12/173
 D902,809 S * 11/2020 Hunwick D12/173
 D904,251 S * 12/2020 Wraith D12/173
 D915,251 S * 4/2021 Langhals D12/173
 2004/0245039 A1 12/2004 Braun et al.
 2006/0192361 A1 8/2006 Anderson et al.
 2006/0249325 A1 11/2006 Braun et al.
 2007/0199751 A1 8/2007 Bradley et al.
 2009/0085361 A1 4/2009 Rosen et al.
 2009/0174158 A1 7/2009 Anderson et al.
 2013/0025954 A1 1/2013 Miller et al.
 2015/0232269 A1 8/2015 Hou

FOREIGN PATENT DOCUMENTS

GB 2 400 589 A 2/2005
 GB 2 400 590 A 3/2005
 HK 1088583 10/2007
 WO WO-2004/110849 12/2004
 WO WO-2006/093835 9/2006

OTHER PUBLICATIONS

Franklin, Sgt. Calab. "New Vehicles to Replace Humvees on Fort Hood." Oct. 6, 2020. US Army, https://www.army.mil/article/239765/new_vehicles_to_replace_humvees_on_fort_hood (Year: 2020).
 Seabaugh, Christian. "Oshkosh JLTV First Drive Review." Jul. 3, 2019. Motortrend, <https://www.motortrend.com/news/oshkosh-jltv-first-drive/> (Year: 2019).
 Seabaugh, Christian. "How the Humvee Compares to the New Oshkosh JLTV." May 17, 2019. Motortrend, <https://www.motortrend.com/news/humvee-compares-to-new-oshkosh-jltv/> (Year: 2019).

* cited by examiner

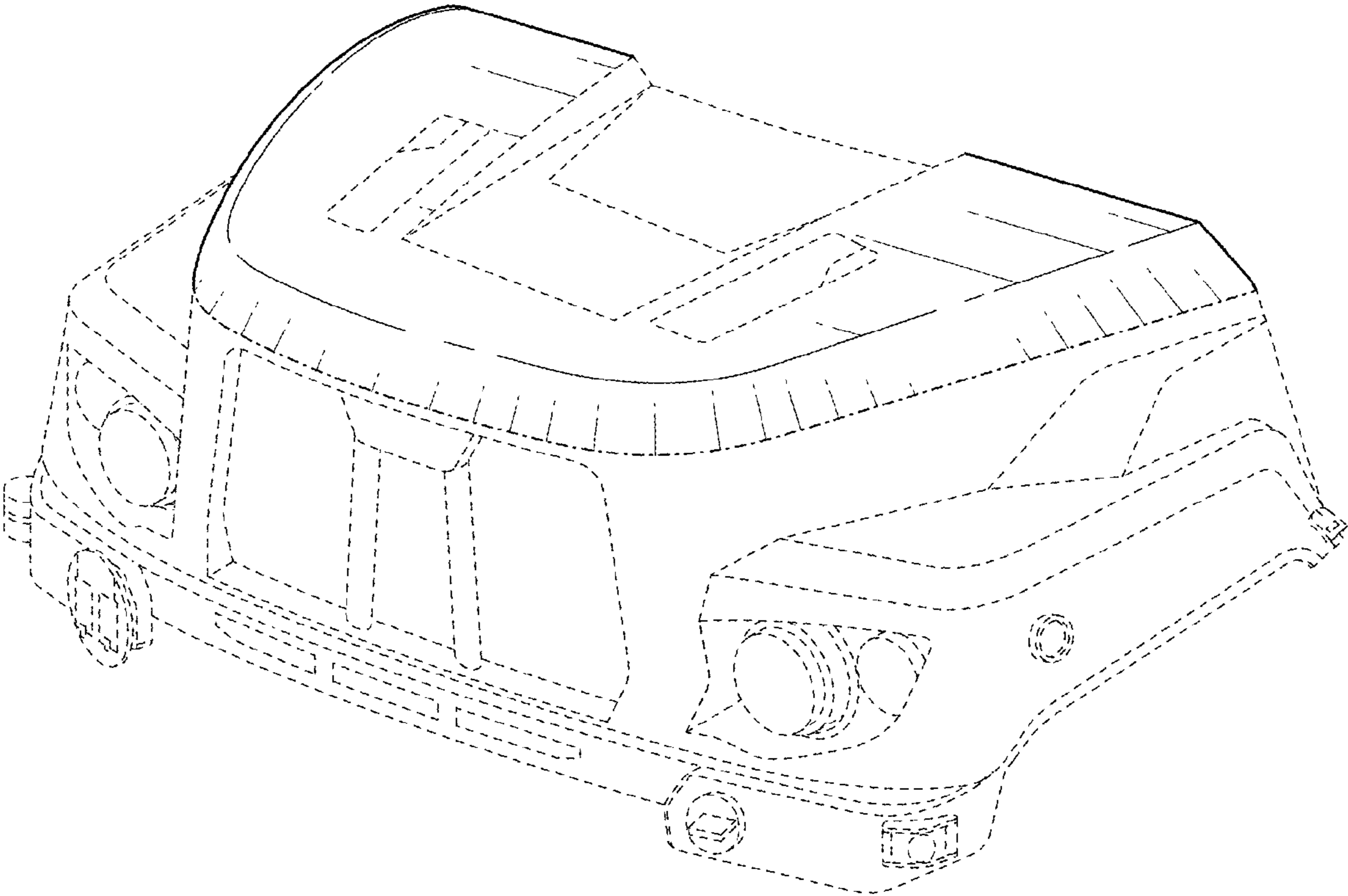


FIG. 1

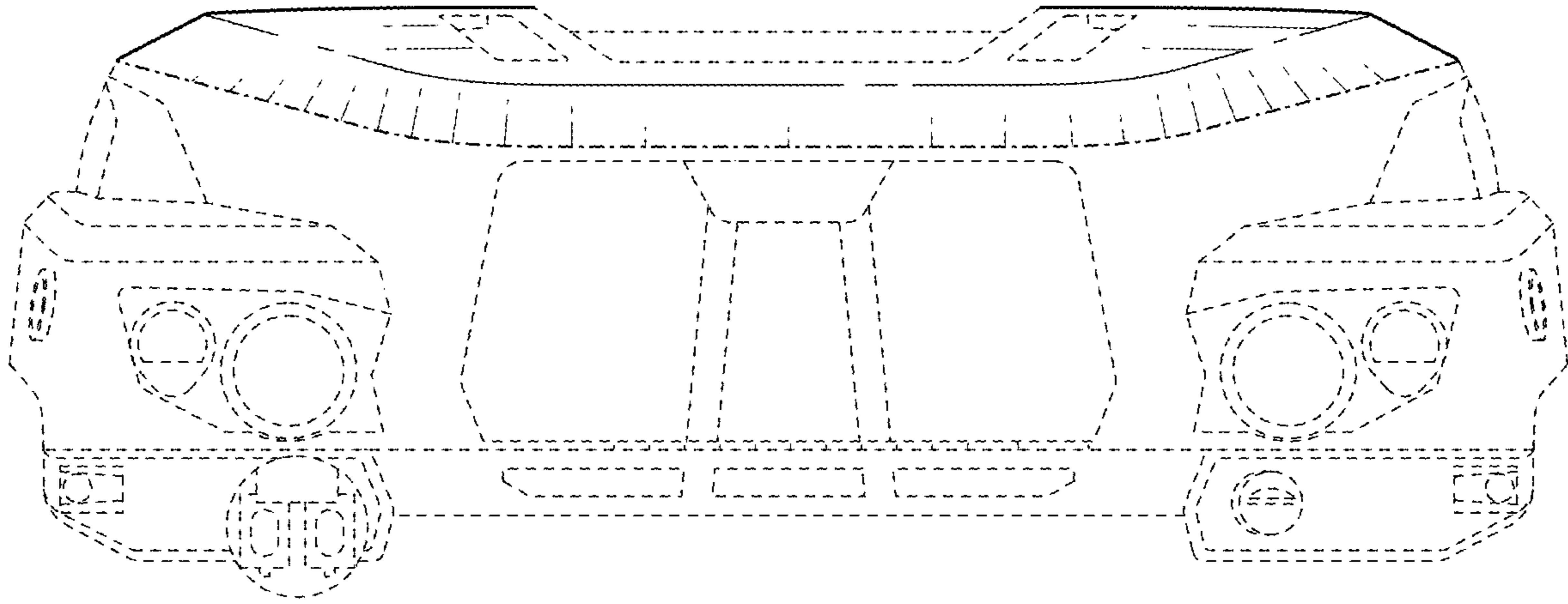


FIG. 2

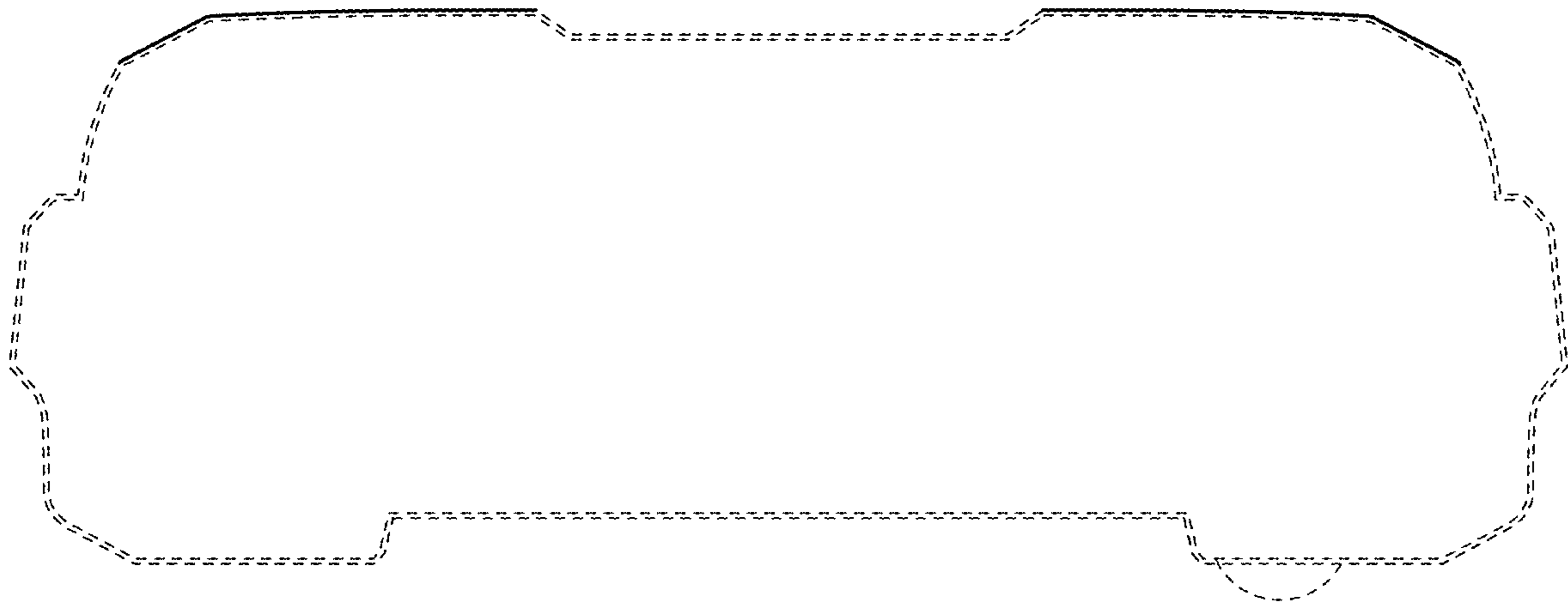


FIG. 3

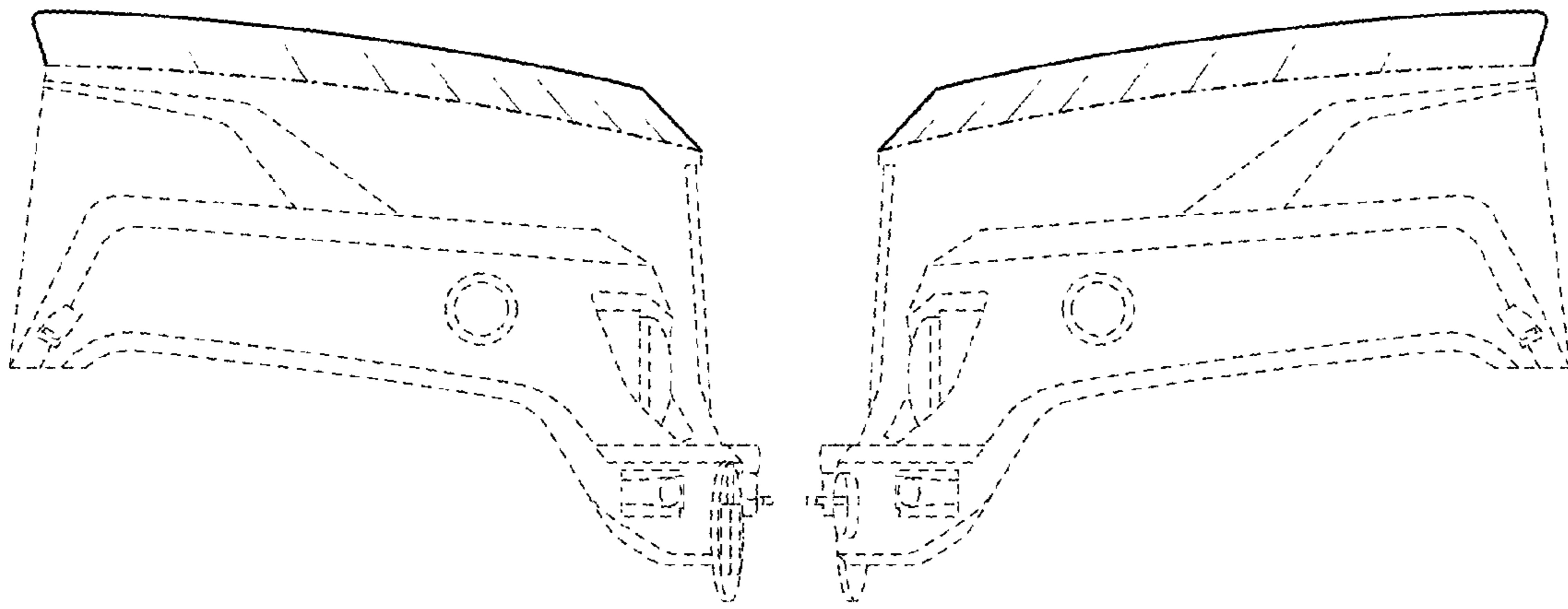


FIG. 4

FIG. 5

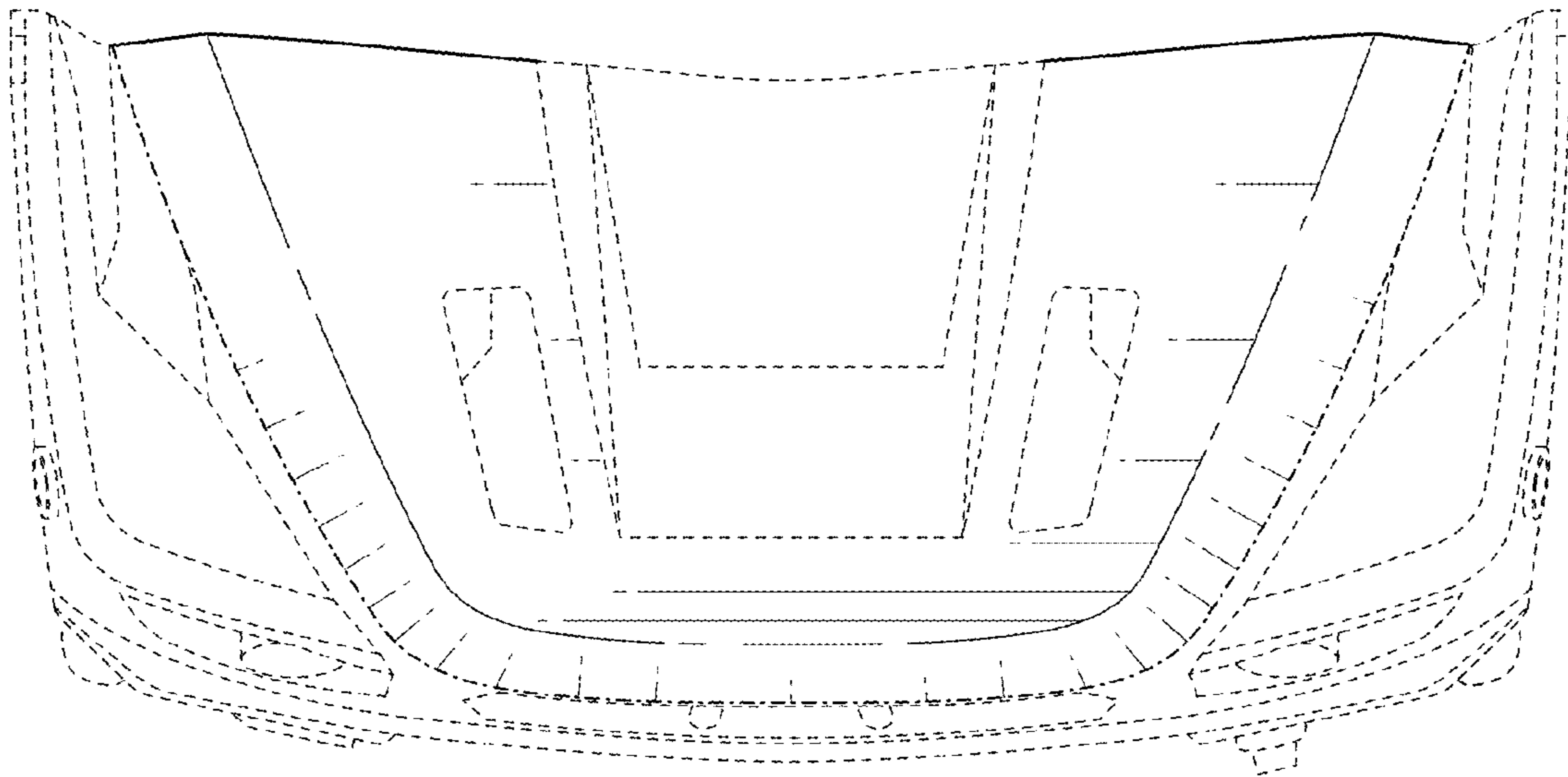


FIG. 6

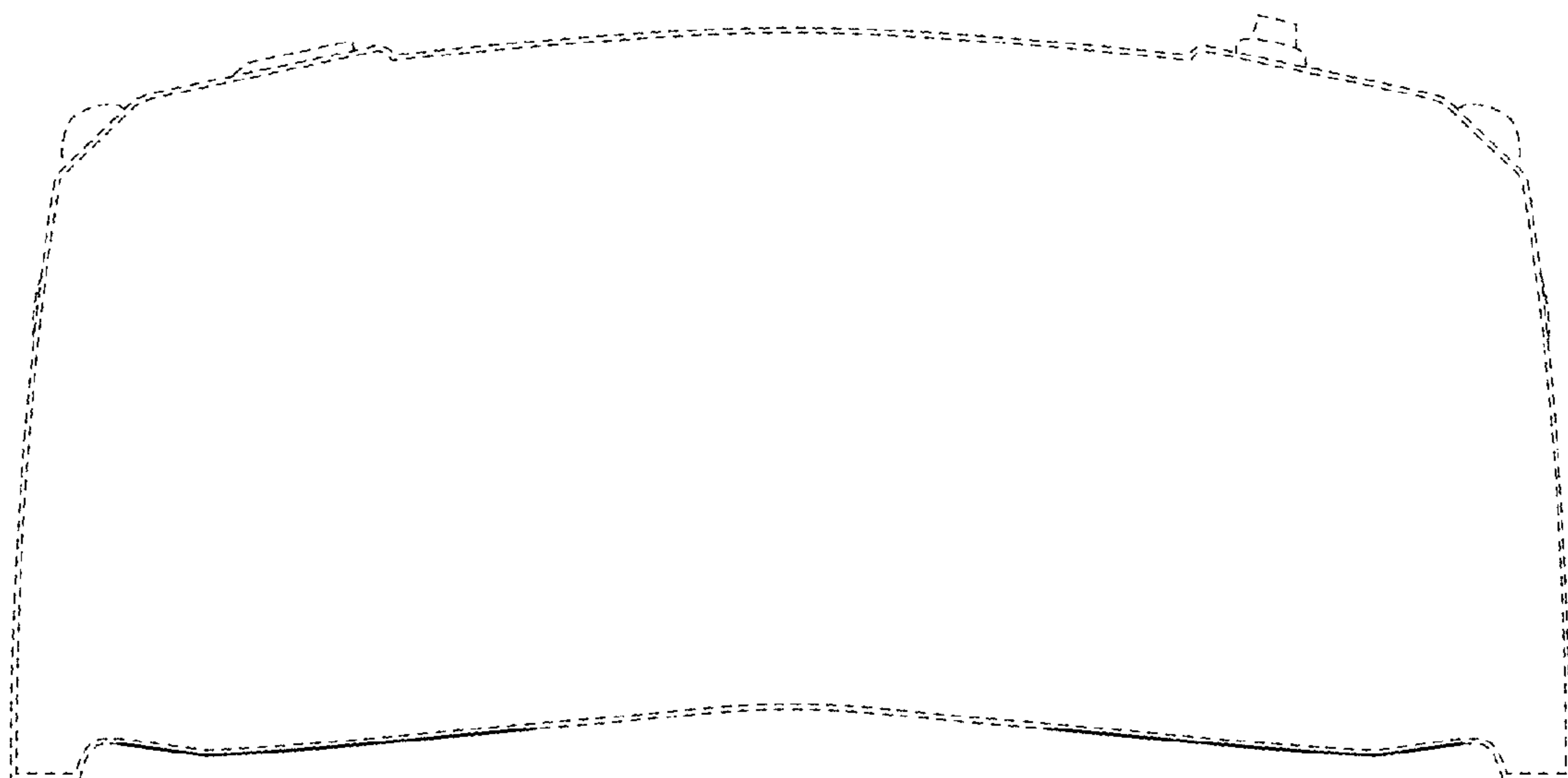


FIG. 7