



US00D928669S

(12) **United States Design Patent** (10) **Patent No.:** **US D928,669 S**
Bodman (45) **Date of Patent:** **** *Aug. 24, 2021**

(54) **ROLLATOR TRAY**
(71) Applicant: **MOBB HEALTH CARE LTD CORPORATION**, Ontario (CA)
(72) Inventor: **Moshe Bodman**, Toronto (CA)
(73) Assignee: **Mobb Health Care Ltd Corporation**
(*) Notice: This patent is subject to a terminal disclaimer.
(**) Term: **15 Years**
(21) Appl. No.: **29/642,538**
(22) Filed: **Mar. 30, 2018**
(51) **LOC (13) Cl.** **12-12**
(52) **U.S. Cl.**
USPC **D12/133; D6/406.3**
(58) **Field of Classification Search**
USPC D12/130, 133; D6/406.3, 406.6
CPC A61H 3/00; A61H 3/04; A61H 2003/001-007; A61H 2003/043; A61H 2003/046; A47B 23/00; B60N 3/00
See application file for complete search history.

(56) **References Cited**
U.S. PATENT DOCUMENTS
2,430,235 A * 11/1947 Mendenhall 135/67
5,176,274 A * 1/1993 Jenkins A47B 23/002
108/43
5,273,063 A * 12/1993 Farr A61H 3/00
135/66
D347,360 S * 5/1994 Wheeler D19/113
D353,123 S * 12/1994 Korona D12/133
D356,532 S * 3/1995 Butzman D12/133
D363,051 S * 10/1995 Lanzillo D12/130
5,642,748 A * 7/1997 Obitts A61H 3/00
135/66
D403,280 S * 12/1998 Diestel D12/133
D404,219 S * 1/1999 Patterson D6/406.5

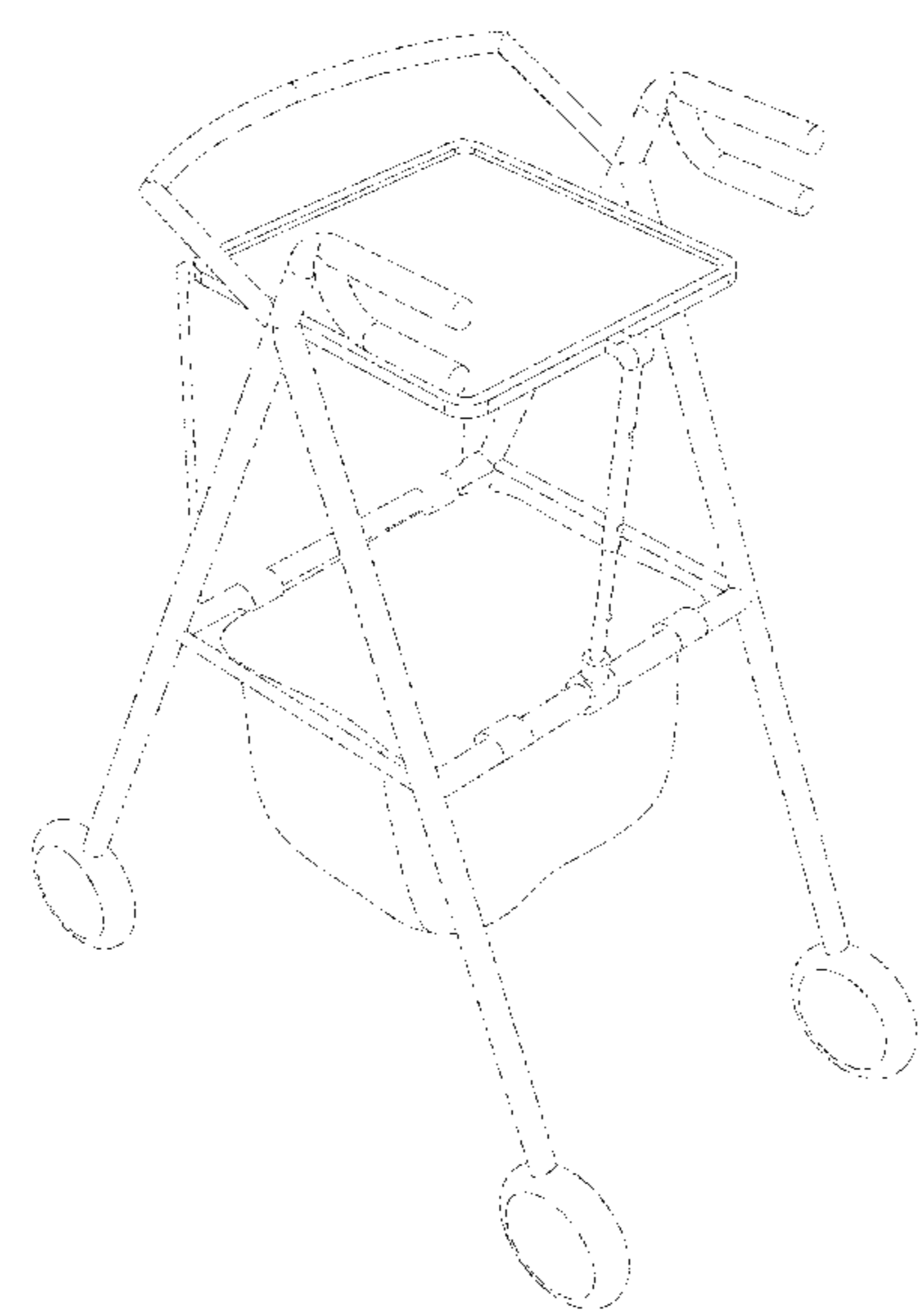
D422,539 S * 4/2000 Jacobson D12/133
D457,111 S * 5/2002 Galleguillos D12/133
D545,523 S * 6/2007 Goldberg D34/11
D564,421 S * 3/2008 McKenna D12/133
D573,364 S * 7/2008 Johnson D12/133
(Continued)

Primary Examiner — Charles D Hanson
(74) *Attorney, Agent, or Firm* — Greg M. Popowitz;
Assouline & Berlowe, P.A

(57) **CLAIM**
The ornamental design for a rollator tray, as shown and described.

DESCRIPTION
FIG. 1 is a front perspective of a rollator tray, showing the my new design;
FIG. 2 is a side perspective view thereof, in a disengaged position;
FIG. 3 is a front perspective view thereof, in a second disengaged position;
FIG. 4 is a front perspective view thereof, in a stored position;
FIG. 5 is a front perspective view thereof, environment removed for ease of illustration;
FIG. 6 is a bottom perspective view thereof;
FIG. 7 is a top view thereof;
FIG. 8 is a bottom view thereof;
FIG. 9 is an enlarged view taken from “9” in FIG. 8;
FIG. 10 is a side view thereof, with support arm in a collapsed position;
FIG. 11 is a front view thereof, with support arm extended; and,
FIG. 12 is a back view thereof.
The z-lines in FIG. 12 indicate an unclaimed length. Only the portions shown in the figure form part of the claimed design.
The illustrative broken lines depict environmental subject matter that form no part of the present claimed design.

1 Claim, 7 Drawing Sheets



(56)

References Cited

U.S. PATENT DOCUMENTS

7,712,477 B2 * 5/2010 McCarthy A61H 3/04
135/67
D619,506 S * 7/2010 Isaksen D12/133
D619,938 S * 7/2010 McCarthy D12/133
D665,595 S * 8/2012 Francis D6/406.3
D745,442 S * 12/2015 McCuen D12/133
D779,500 S * 2/2017 Miller D14/451

* cited by examiner

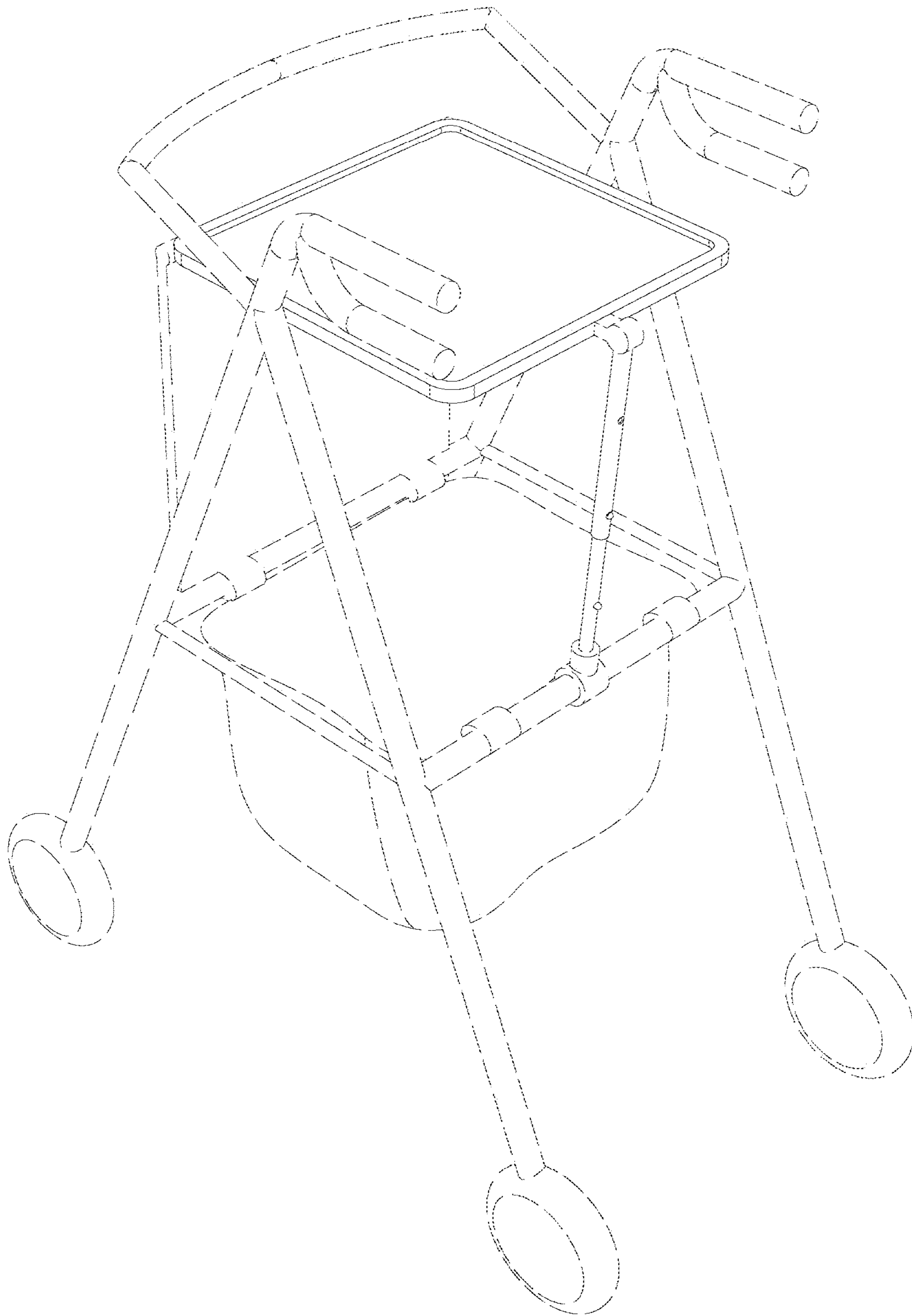


FIG. 1

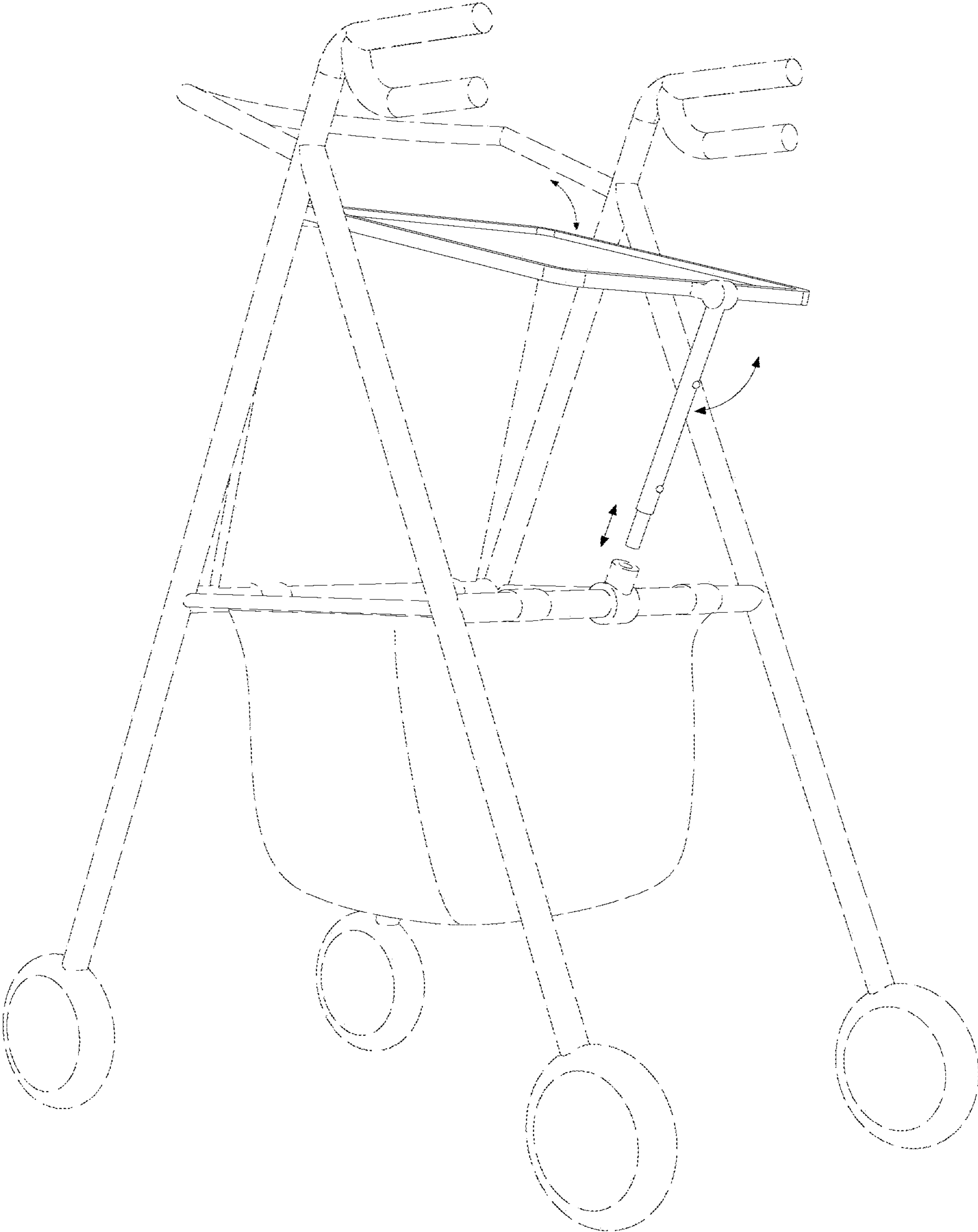


FIG. 2

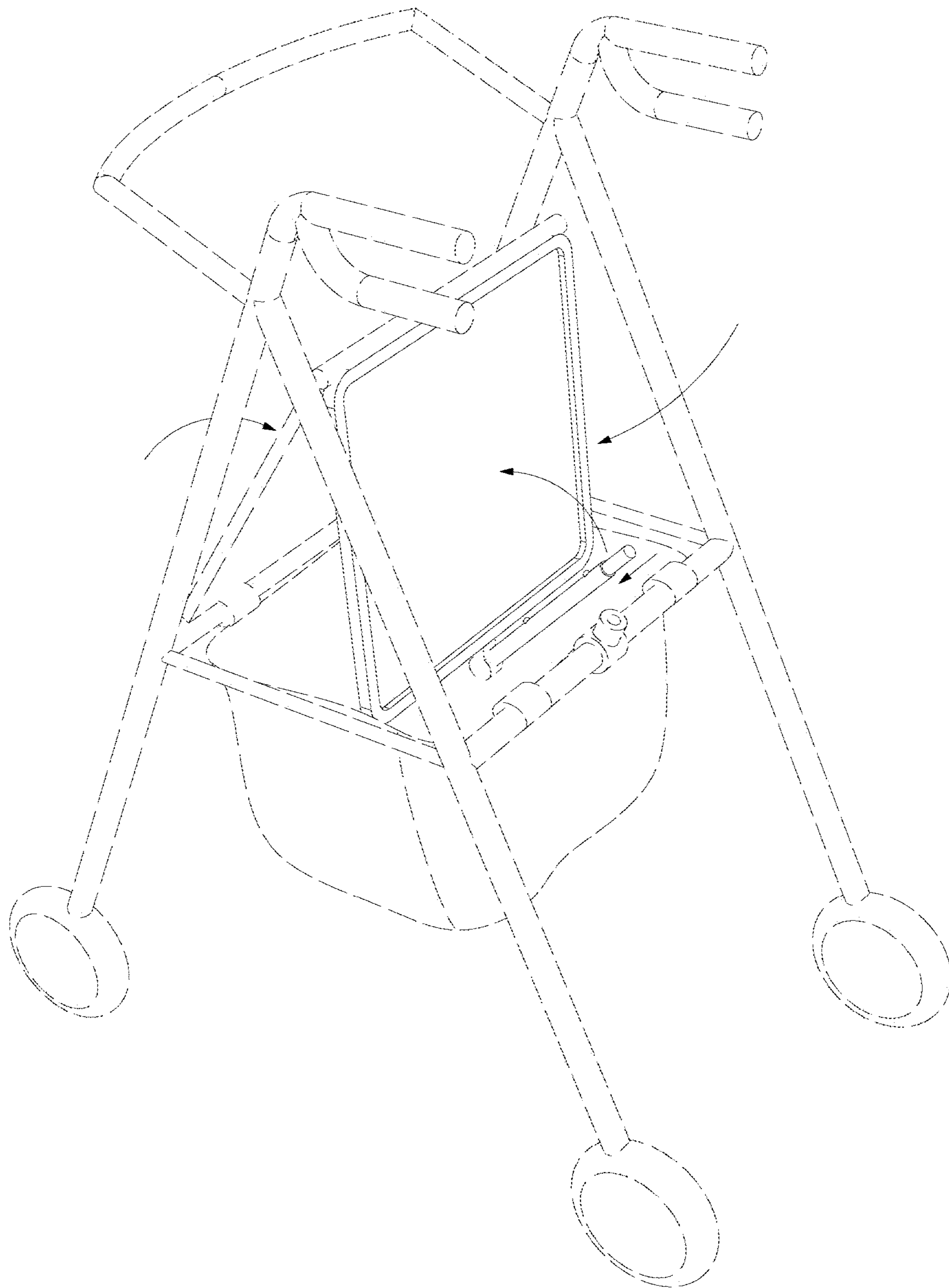


FIG. 3

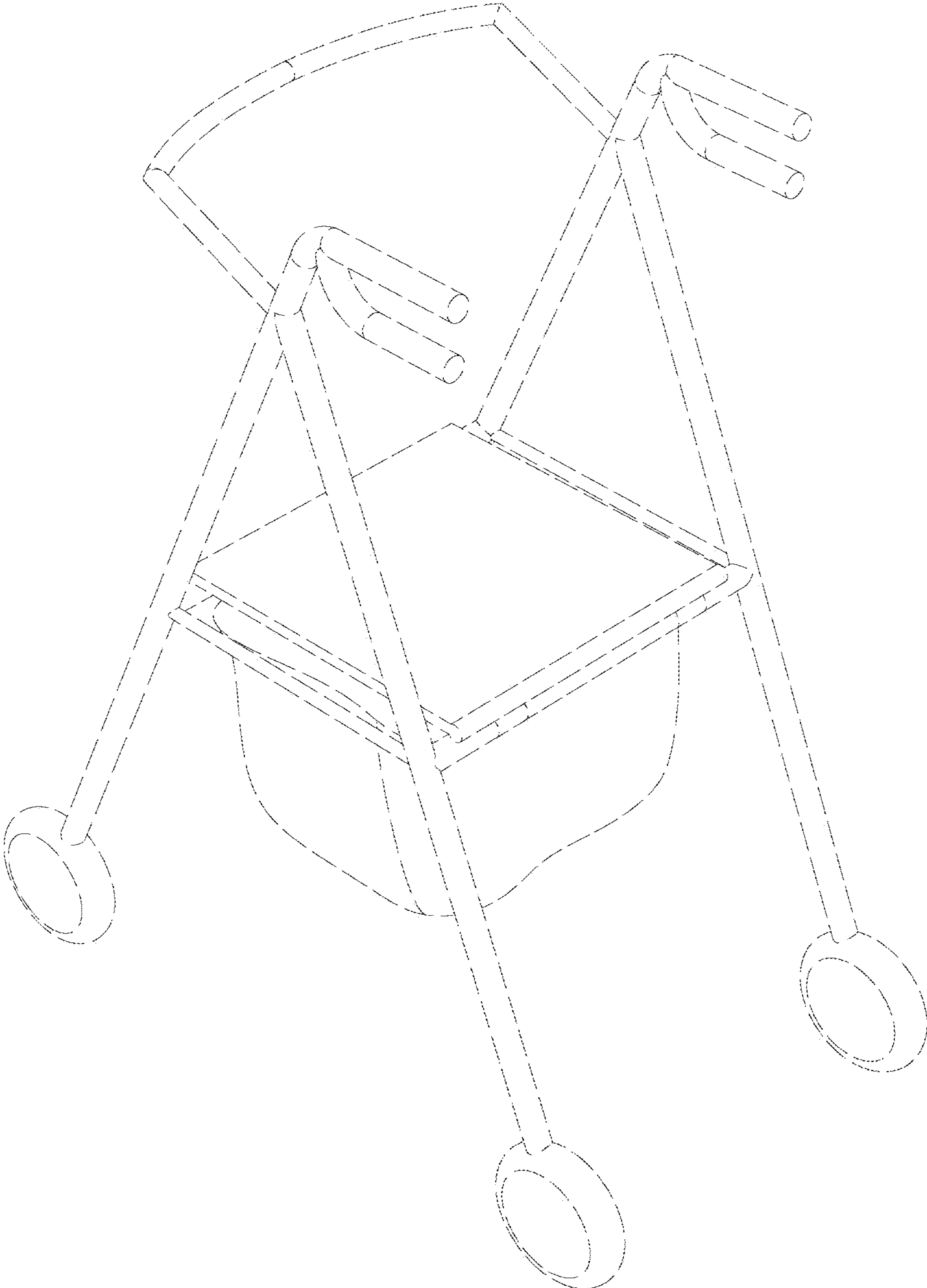


FIG. 4

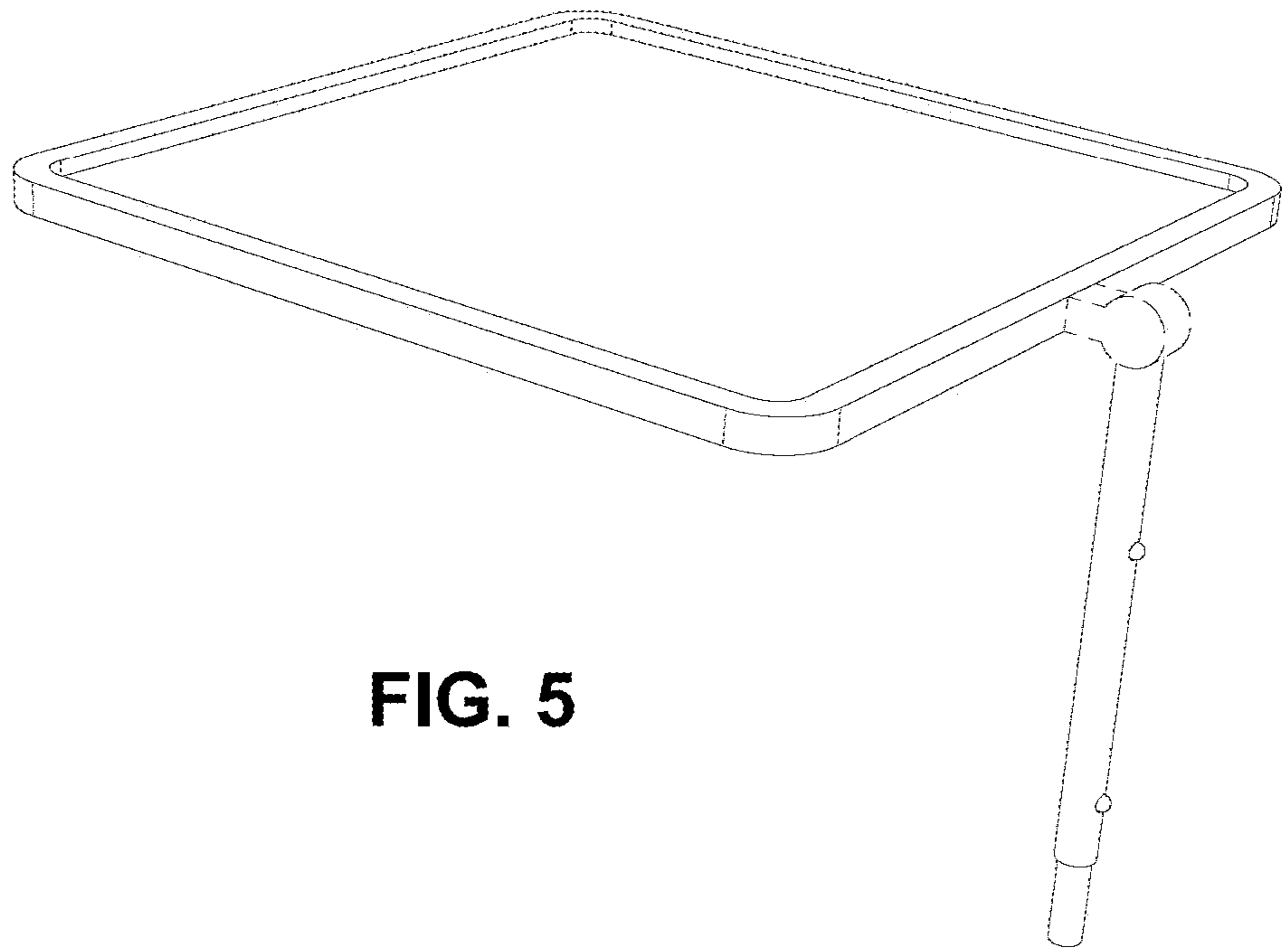


FIG. 5

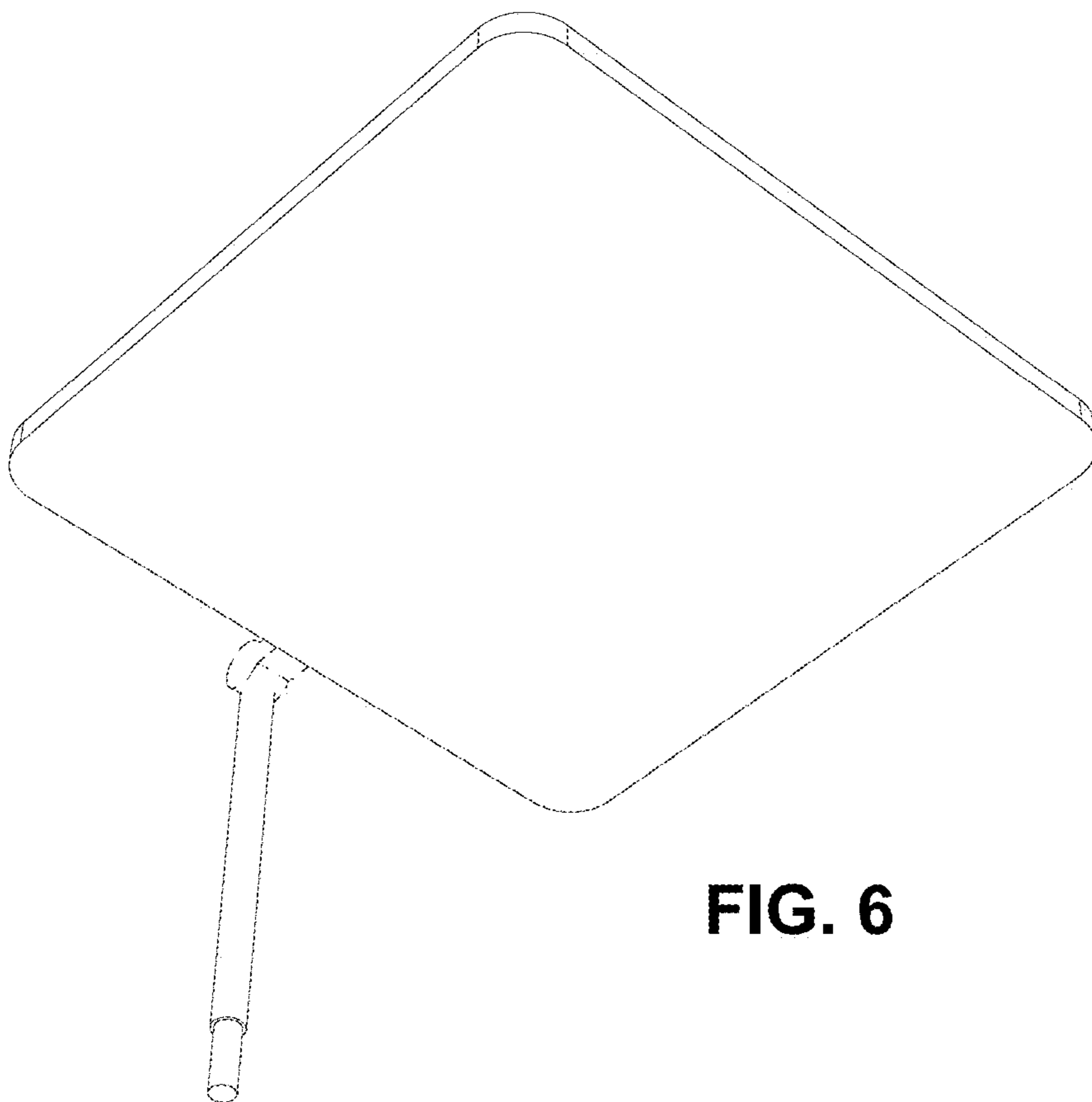


FIG. 6

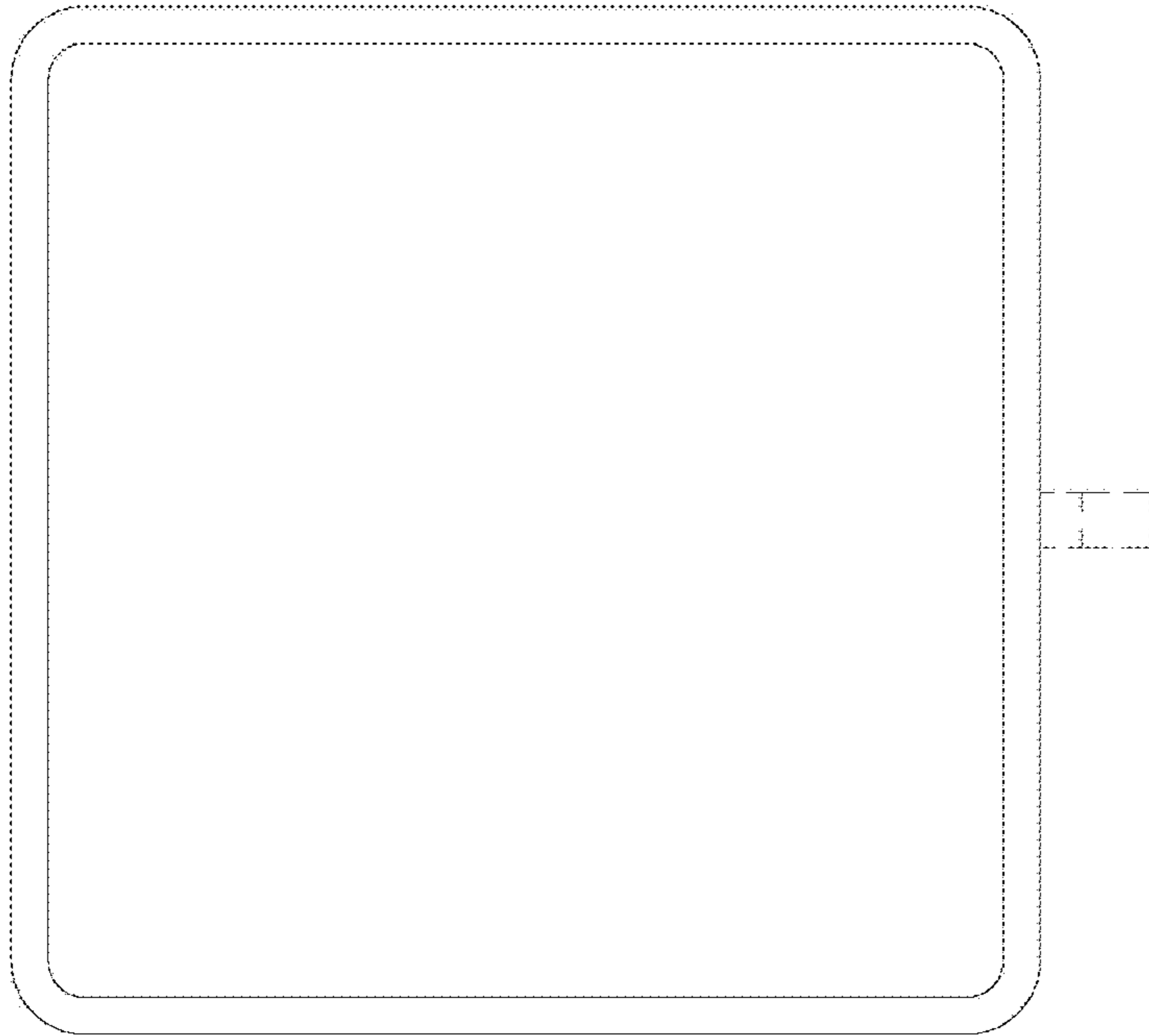


FIG. 7

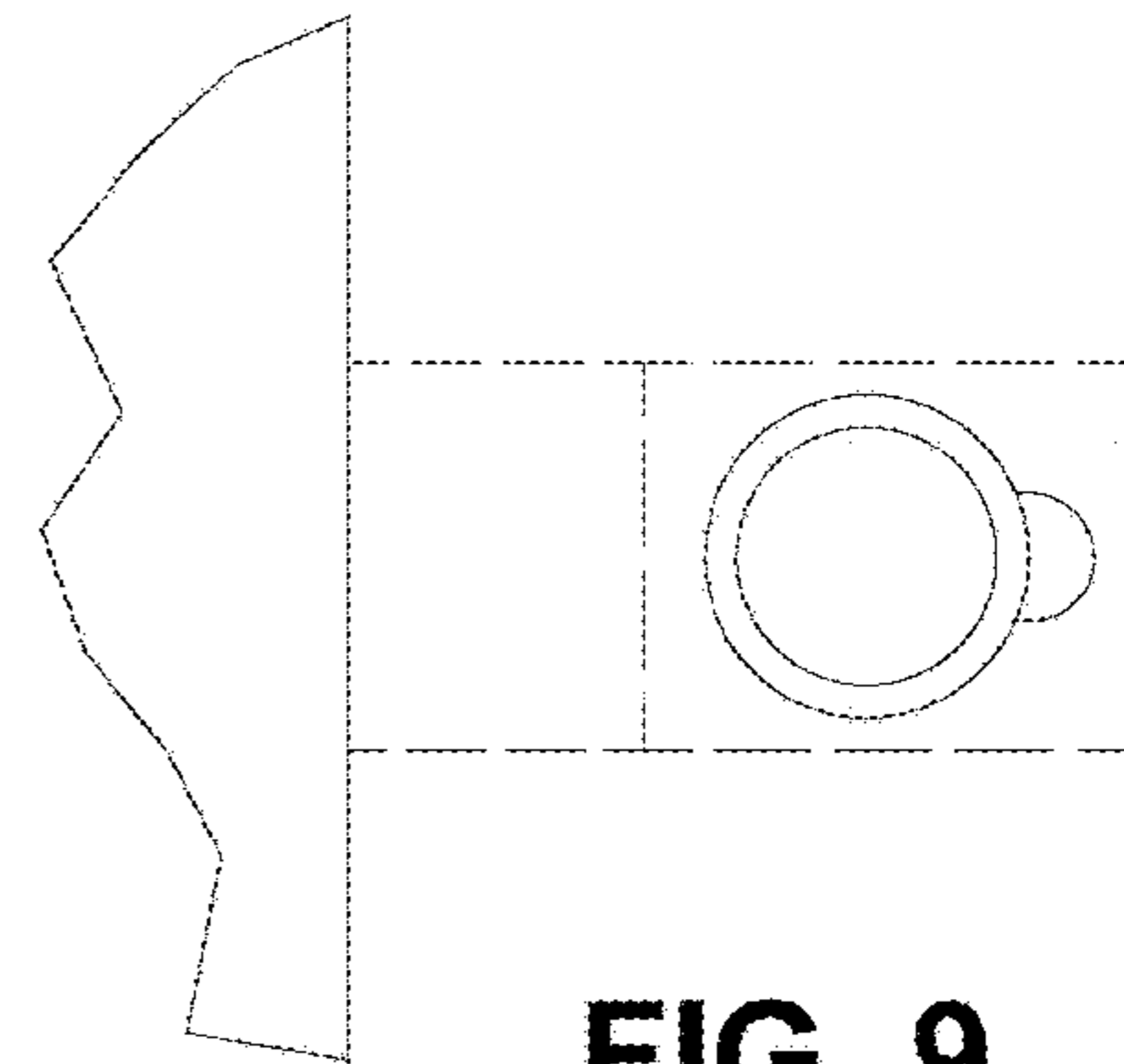


FIG. 9

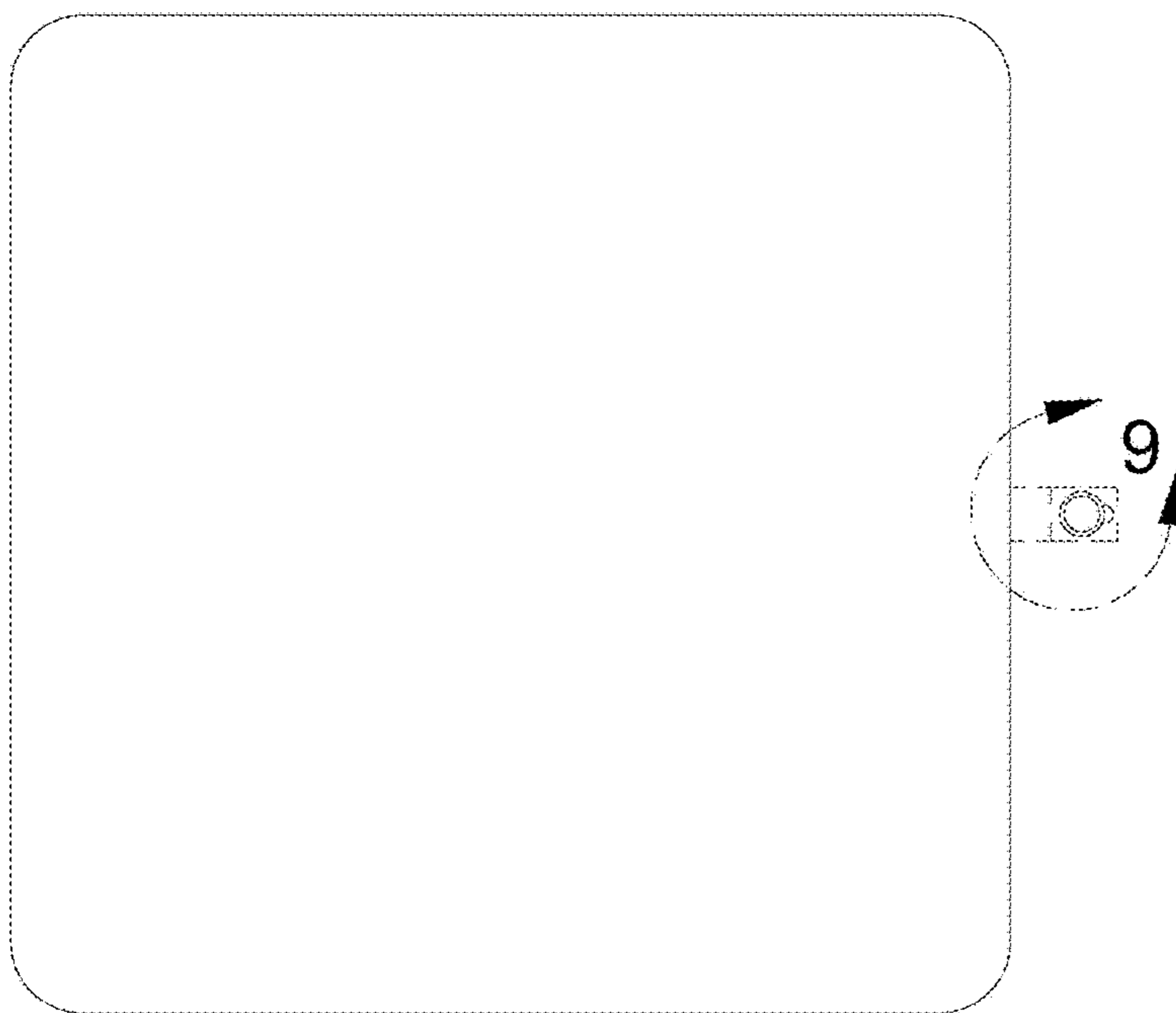


FIG. 8

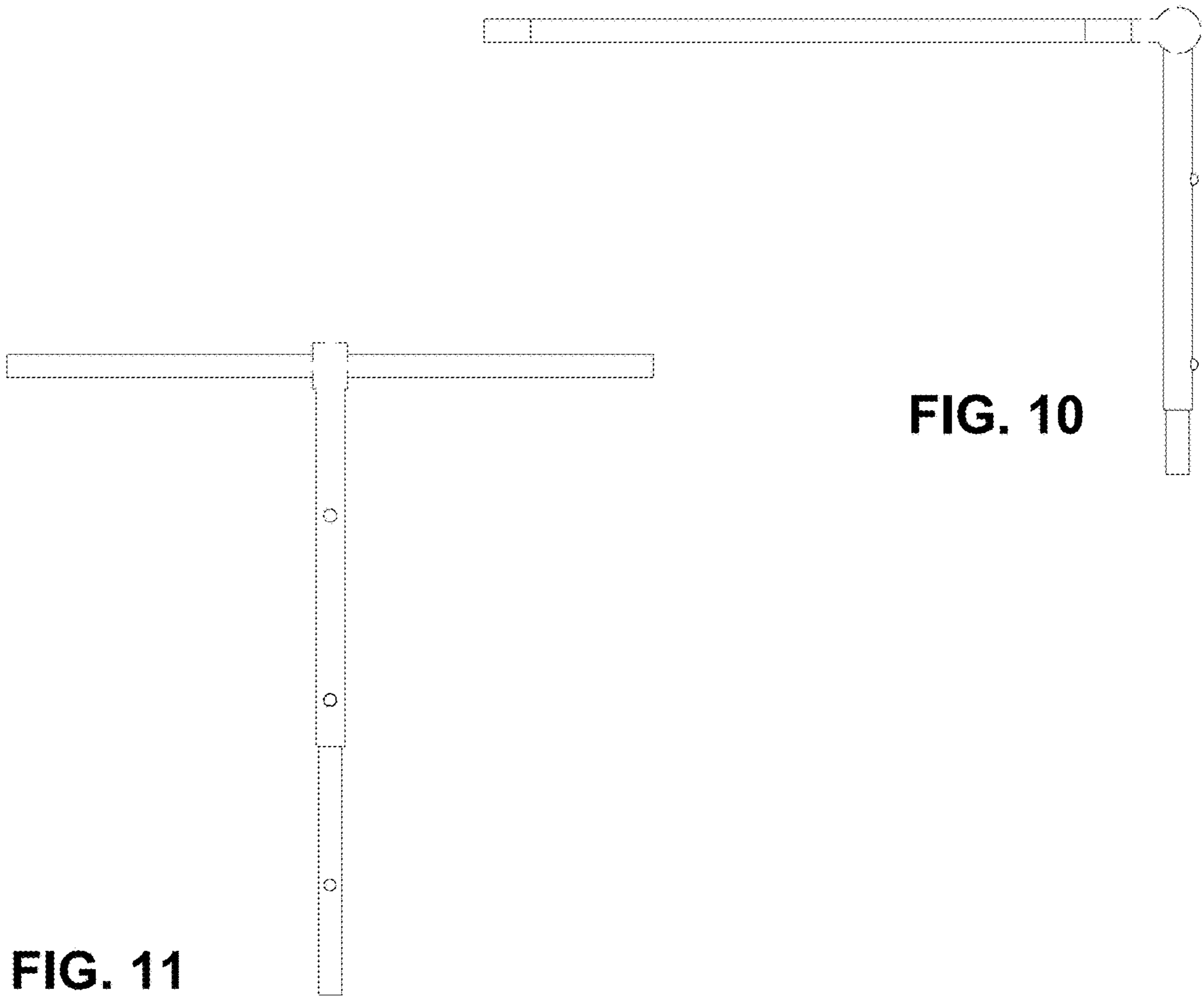


FIG. 10

FIG. 11

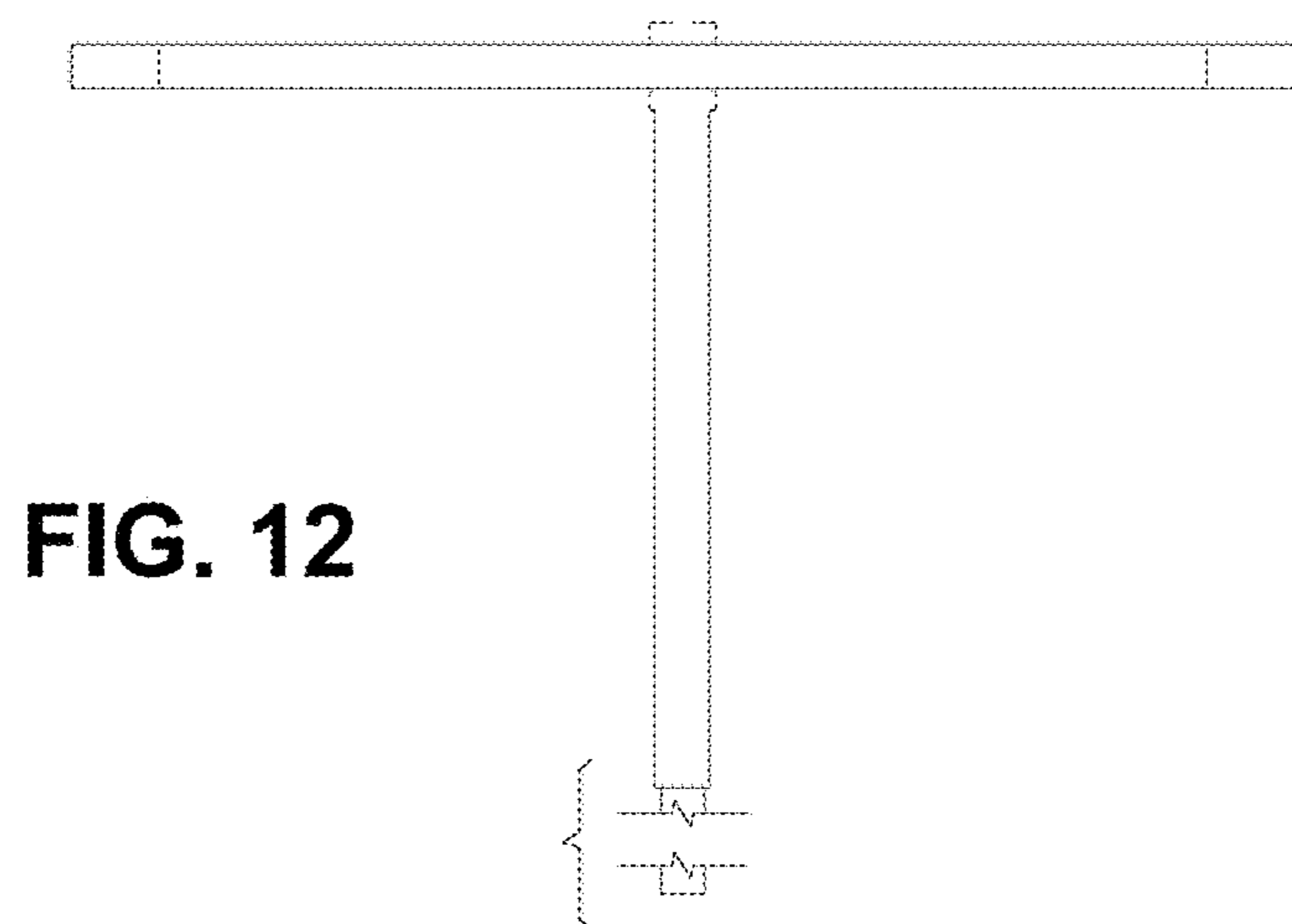


FIG. 12