



US00D928668S

(12) **United States Design Patent**
Li et al.

(10) **Patent No.:** **US D928,668 S**

(45) **Date of Patent:** **** Aug. 24, 2021**

(54) **ELECTRIC BICYCLE**

FOREIGN PATENT DOCUMENTS

(71) Applicant: **Zhengzhou F-wheel Industrial Co., Ltd.**, Zhengzhou (CN)

CN 201930743693.7 * 11/2020

(72) Inventors: **Wei Li**, Zhengzhou (CN); **Jinliang Tian**, Zhengzhou (CN); **Xiaojian Li**, Zhengzhou (CN)

OTHER PUBLICATIONS

(73) Assignee: **Zhengzhou F-wheel Industrial Co., Ltd.**, Zhengzhou (CN)

“DYU S2 Smart Electric Bike” DYU., posted date Aug. 11, 2020 [online], [retrieved on Jul. 1, 2021]. Retrieved from the Internet <URL:https://www.fwheel.cc/product/dyu-s2-electric-bike/> (Year: 2020).*

(Continued)

(**) Term: **15 Years**

Primary Examiner — Darlington Ly

Assistant Examiner — Nasim Abdulaziz Ali

(21) Appl. No.: **29/729,833**

(22) Filed: **Mar. 30, 2020**

(57) **CLAIM**

The ornamental design for an electric bicycle, as shown and described.

(51) **LOC (13) Cl.** **12-11**

(52) **U.S. Cl.**
USPC **D12/111**

DESCRIPTION

(58) **Field of Classification Search**
USPC D12/110, 111, 117, 406, 407
CPC . B62K 3/00; B62K 3/005; B62K 9/00; B62K 19/00; B62K 19/02; B62K 19/04; B62K 19/06; B62K 19/16
See application file for complete search history.

FIG. 1 is a front perspective view of an electric bicycle showing my new design;
FIG. 2 is a rear perspective view thereof;
FIG. 3 is a front elevational view thereof;
FIG. 4 is a rear elevational view thereof;
FIG. 5 is a left side elevational view thereof;
FIG. 6 is a right side elevational view thereof;
FIG. 7 is a top plan view thereof;
FIG. 8 is a bottom plan view thereof;
FIG. 9 is an enlarged view of a rectangular portion 9 of FIG. 1;
FIG. 10 is an enlarged view of a rectangular portion 10 of FIG. 2;
FIG. 11 is an enlarged view of a rectangular portion 11 of FIG. 2; and,
FIG. 12 is an enlarged view of a rectangular portion 12 of FIG. 5.
The broken lines in the drawings depict portions of the electric bicycle that form no part of the claimed design.

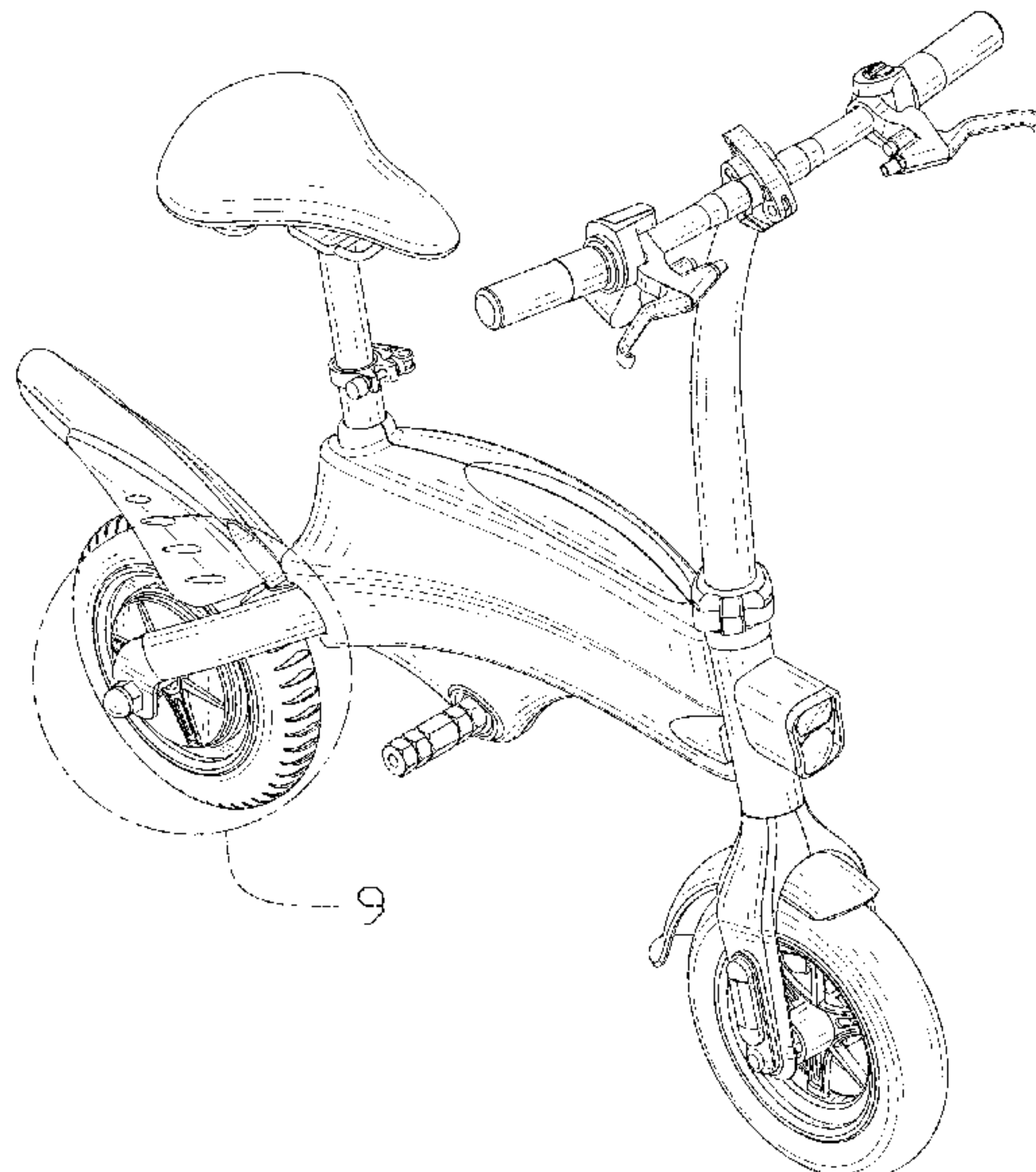
(56) **References Cited**

U.S. PATENT DOCUMENTS

4,634,138	A *	1/1987	Fryer	B62K 15/008
					280/278
D498,438	S *	11/2004	Ying	D12/111
D620,401	S *	7/2010	Haller	D12/111
D650,724	S *	12/2011	Chiang	D12/111
D727,215	S *	4/2015	Yang	D12/111
D729,700	S *	5/2015	De Roeck	D12/111
D756,264	S *	5/2016	Thompson	D12/111
D791,022	S *	7/2017	Lam	D12/111
D795,747	S *	8/2017	Bailie	D12/111
D807,232	S *	1/2018	Bailie	D12/111
D807,233	S *	1/2018	Zhang	D12/111

(Continued)

1 Claim, 12 Drawing Sheets



(56)

References Cited

U.S. PATENT DOCUMENTS

D833,333	S	*	11/2018	Yu	D12/111
D843,269	S	*	3/2019	Shi	D12/111
D846,449	S	*	4/2019	Song	D12/111
D890,633	S	*	7/2020	Zhou	D12/111
D898,625	S	*	10/2020	Lin	D12/111
D902,084	S	*	11/2020	Gauthier	D12/111
D910,497	S	*	2/2021	Sun	D12/111

OTHER PUBLICATIONS

“DYU S1 Smart Electric Bike” DYU., posted date Mar. 5, 2021 [online], [retrieved on Jul. 1, 2021]. Retrieved from the Internet <URL:<https://www.fwheel.cc/product/s-standard-version/>> (Year: 2021).*

“New E-Bike: The Dyu Smart Bike D1” DYU., posted date Sep. 29, 2020 [online], [retrieved on Jul. 1, 2021]. Retrieved from the Internet <URL:<https://electricbikeblog.com/dyu-smart-bike-d1/>> (Year: 2020).*

“ANCHEER an-EB5 Plus Folding Electric Bike” ANCHEER., posted date Feb. 8, 2021 [online], [retrieved on Jul. 1, 2021]. Retrieved from the Internet <URL:https://www.amazon.com/ANCHEER-Folding-Electric-Scooter-Commuter/dp/B08GC5MSPJ/ref=sr_1_9?dchild=1&keywords=dyu+electric+bike&qid=1625010938&sr=8-9> (Year: 2021).*

* cited by examiner

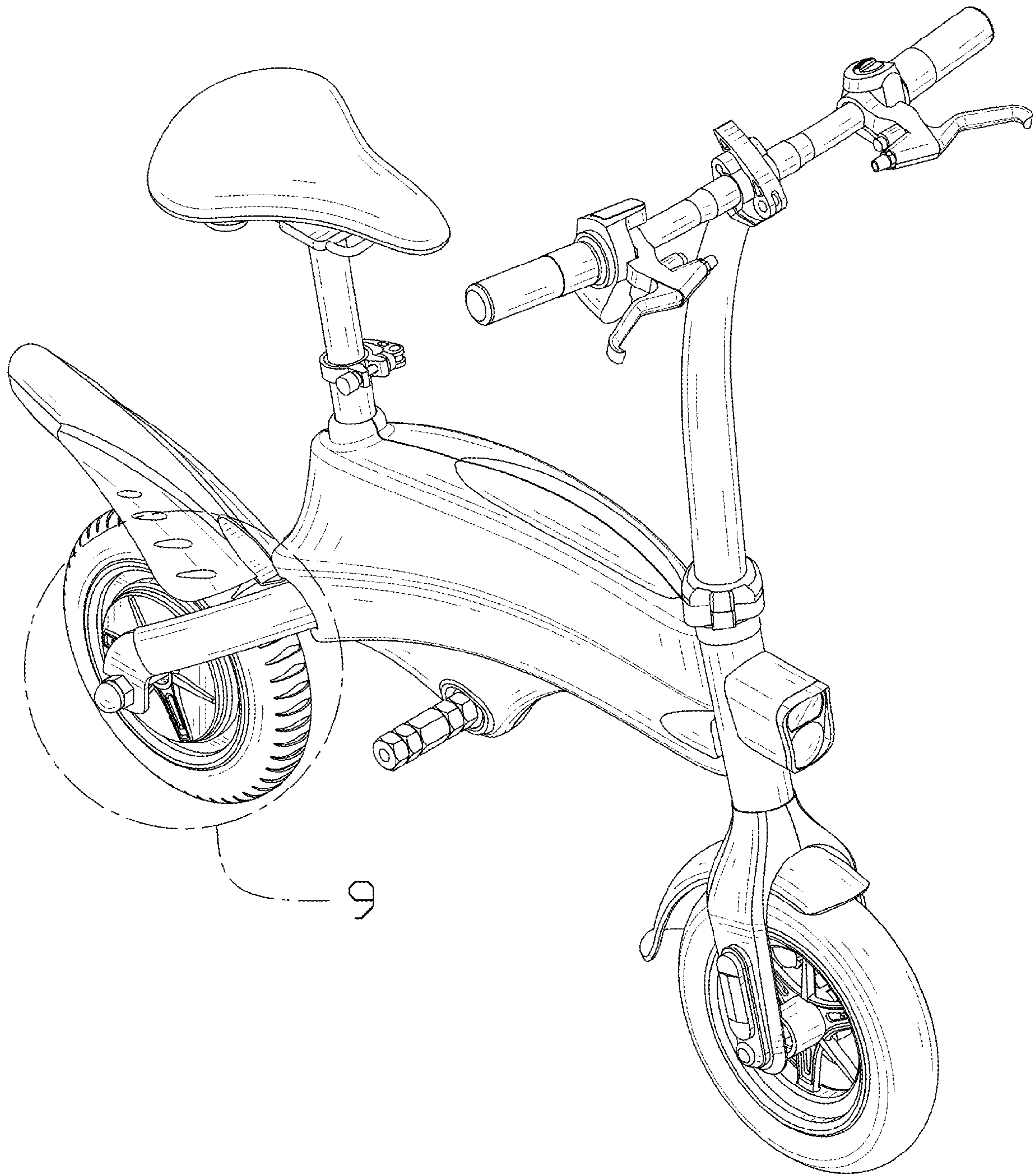


FIG. 1

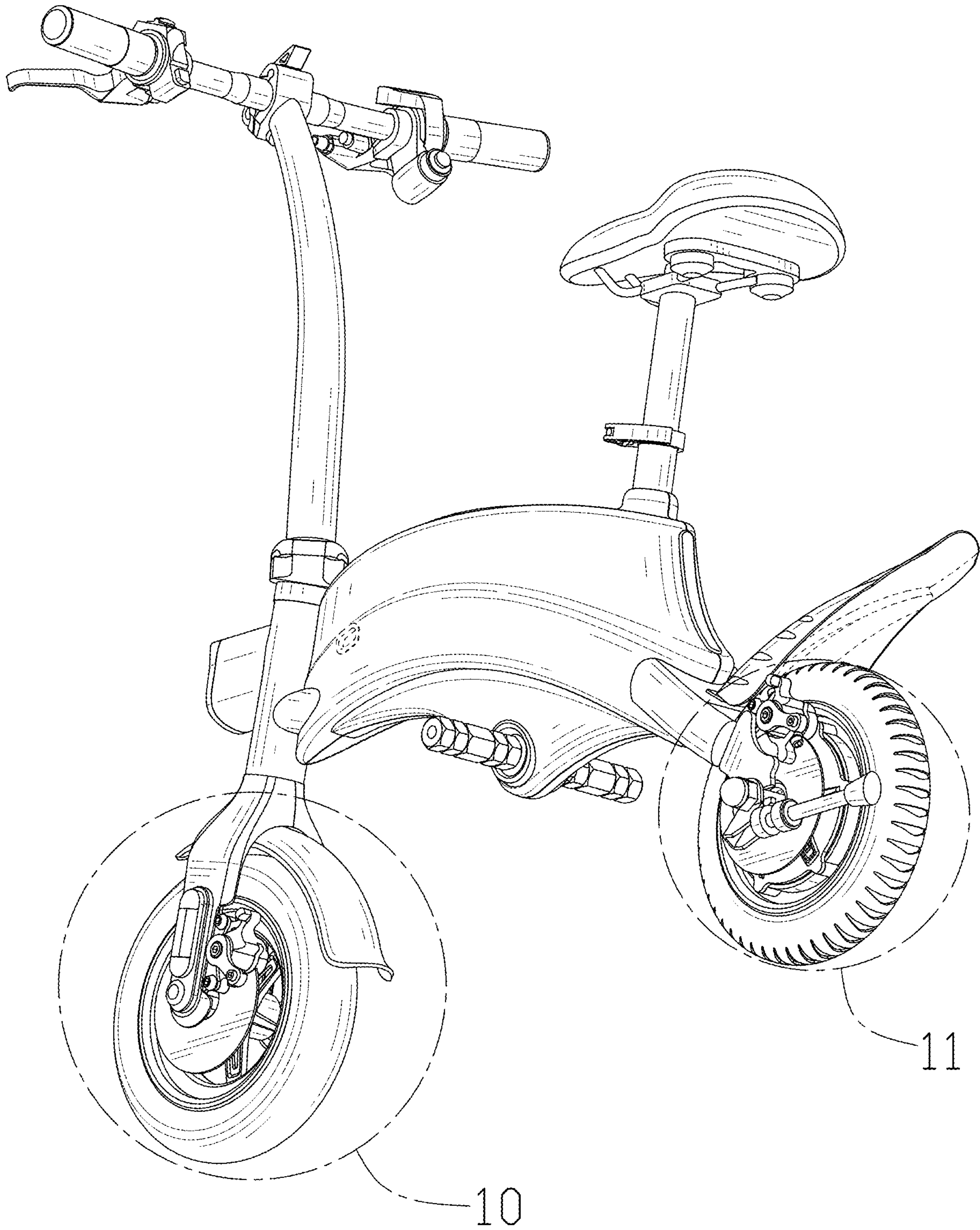


FIG. 2

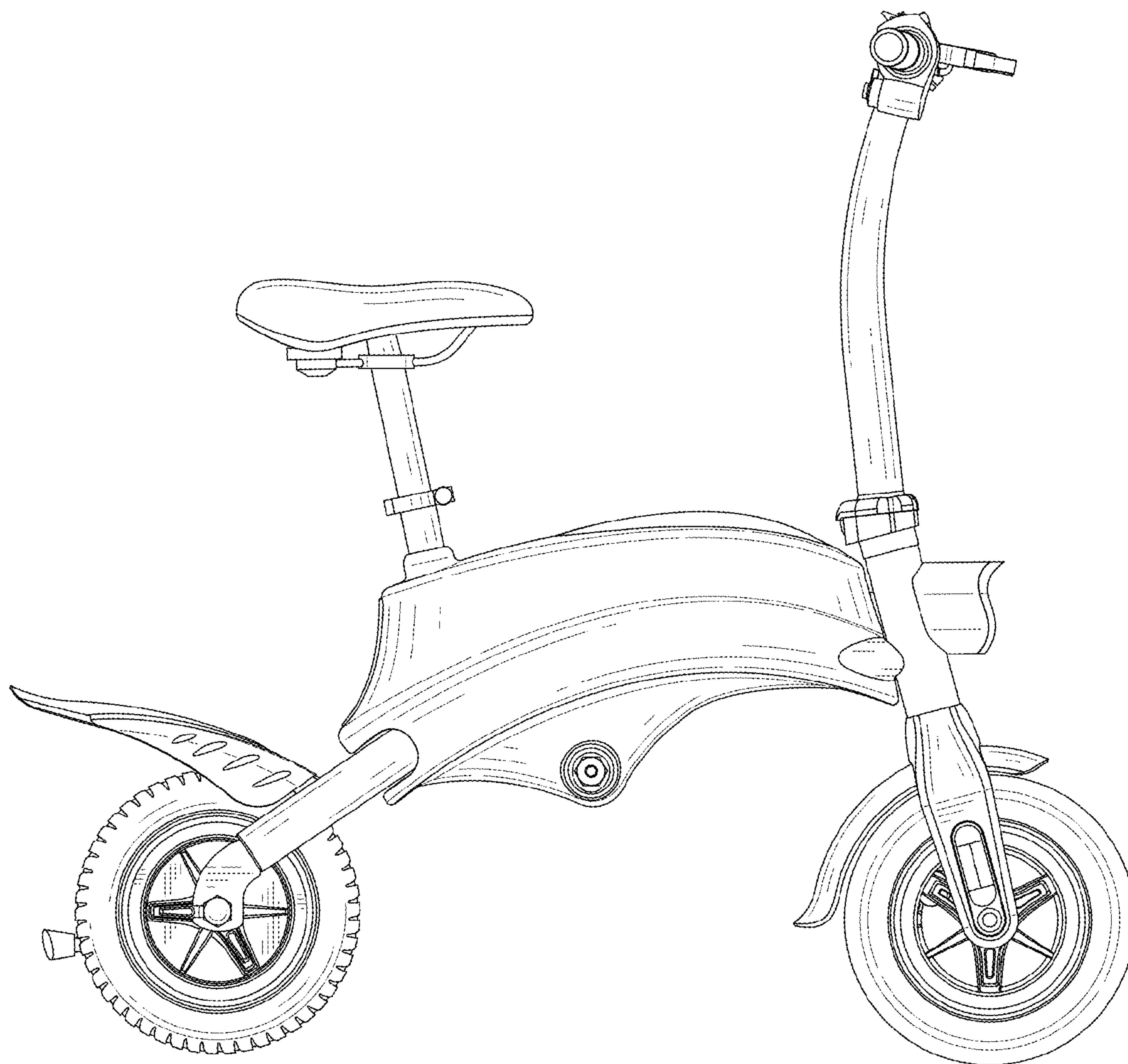


FIG. 3



FIG. 4

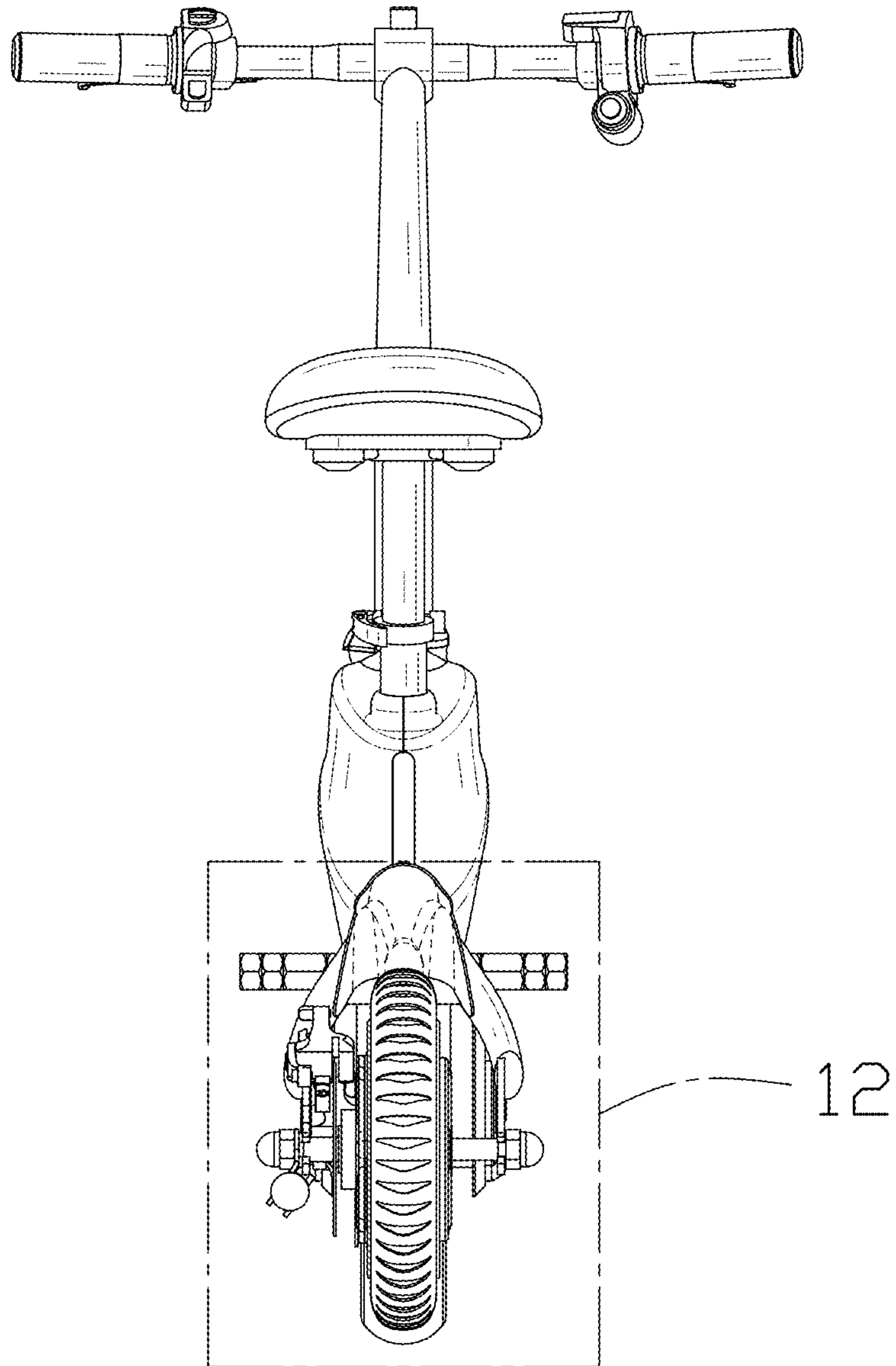


FIG. 5

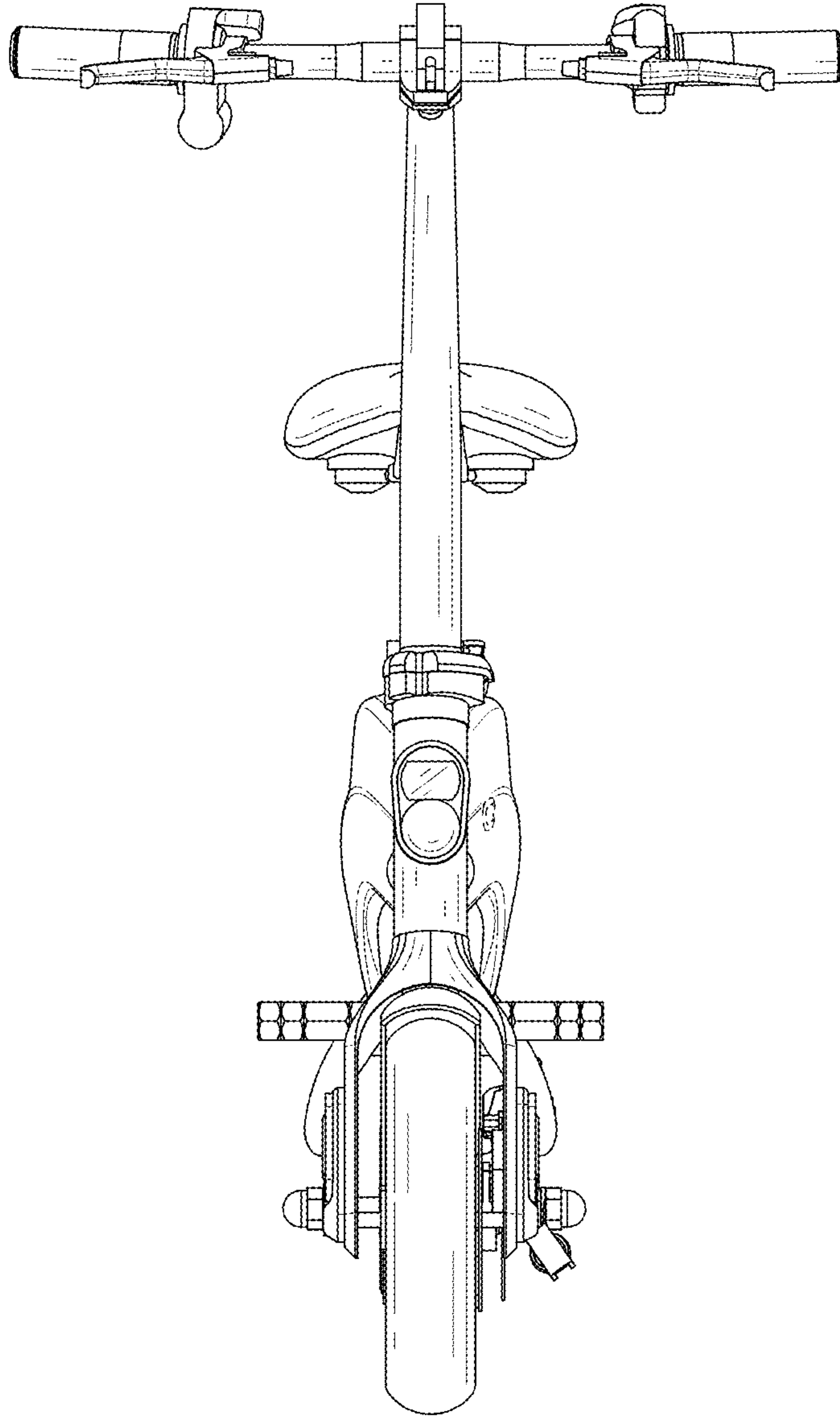


FIG. 6

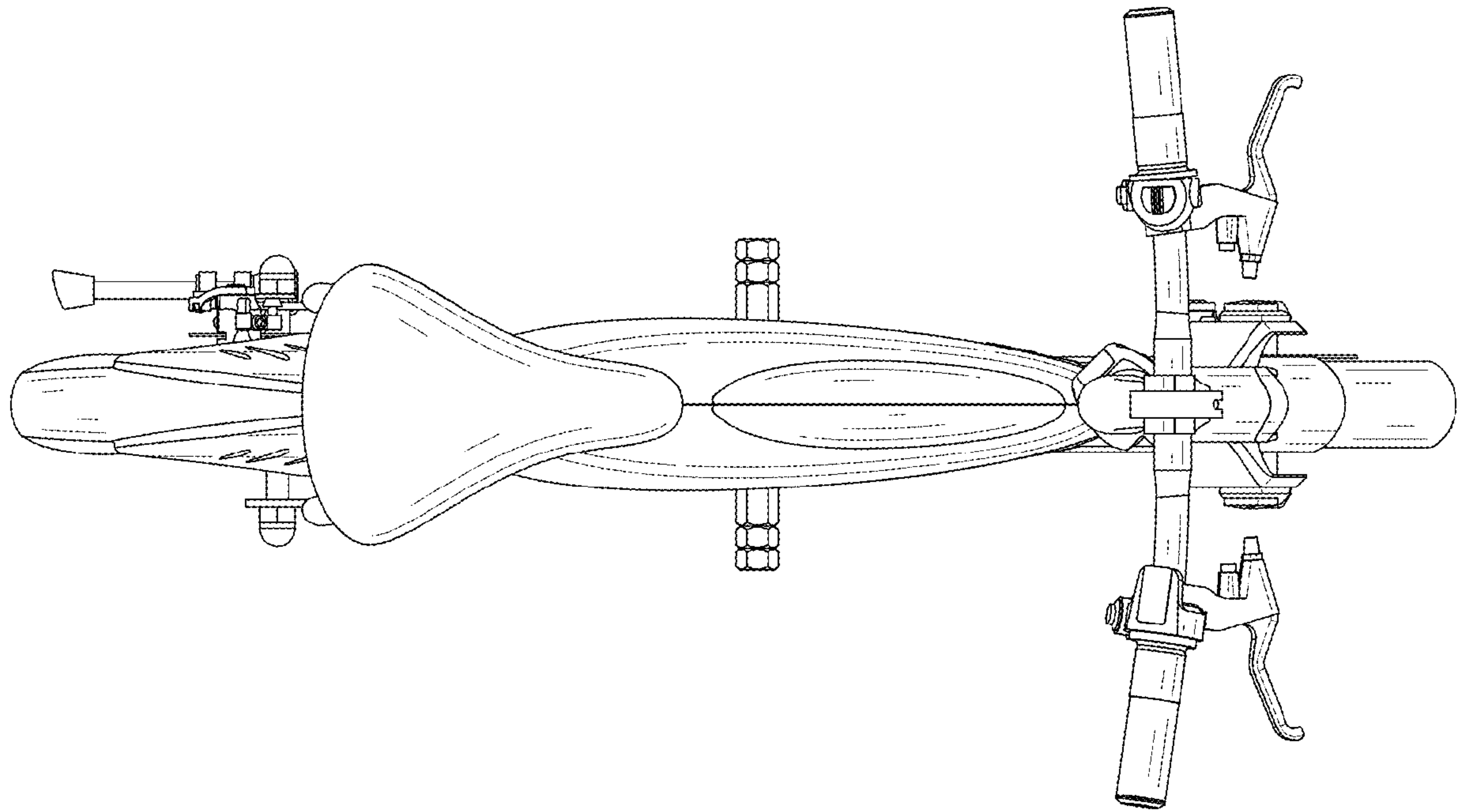


FIG. 7

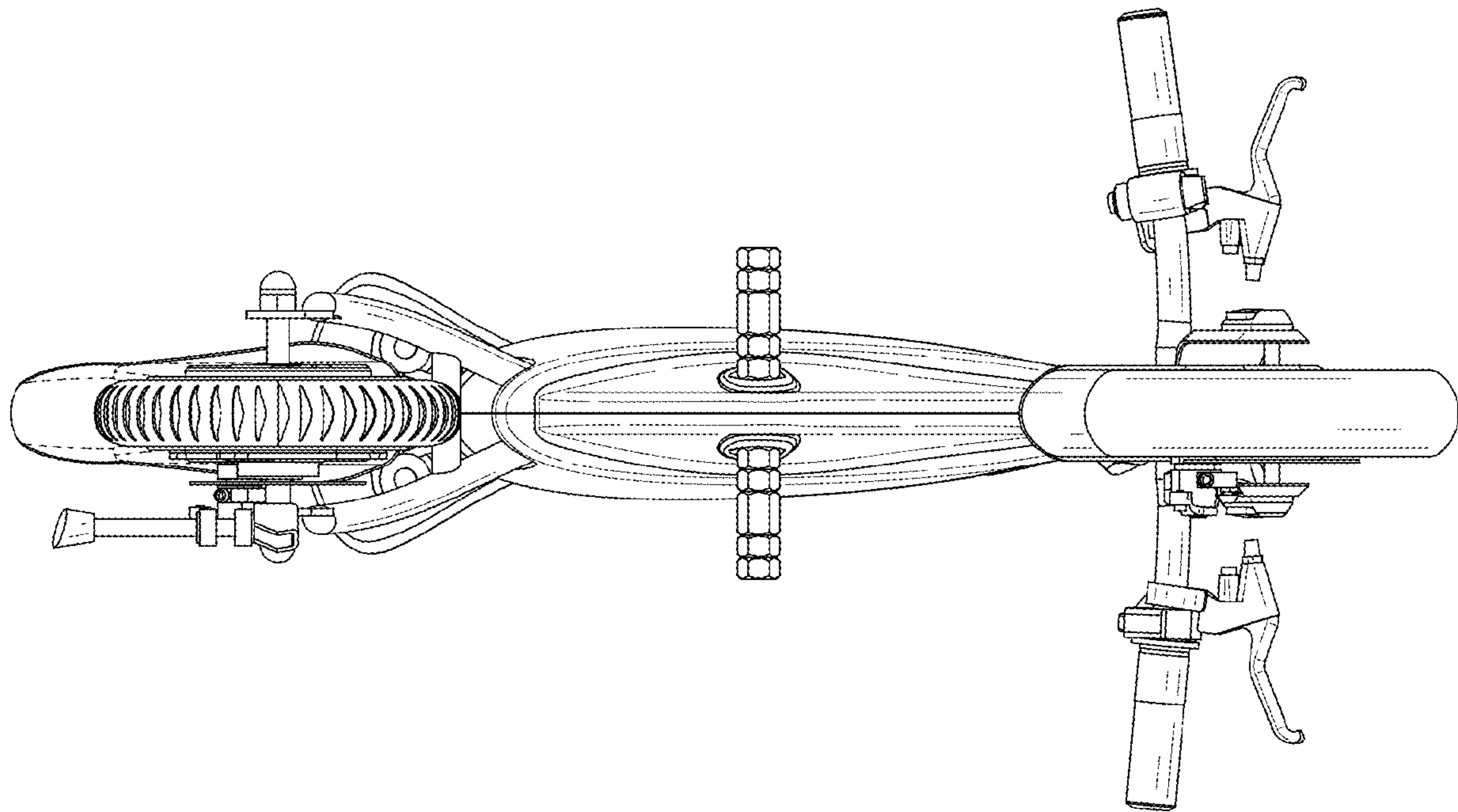


FIG. 8

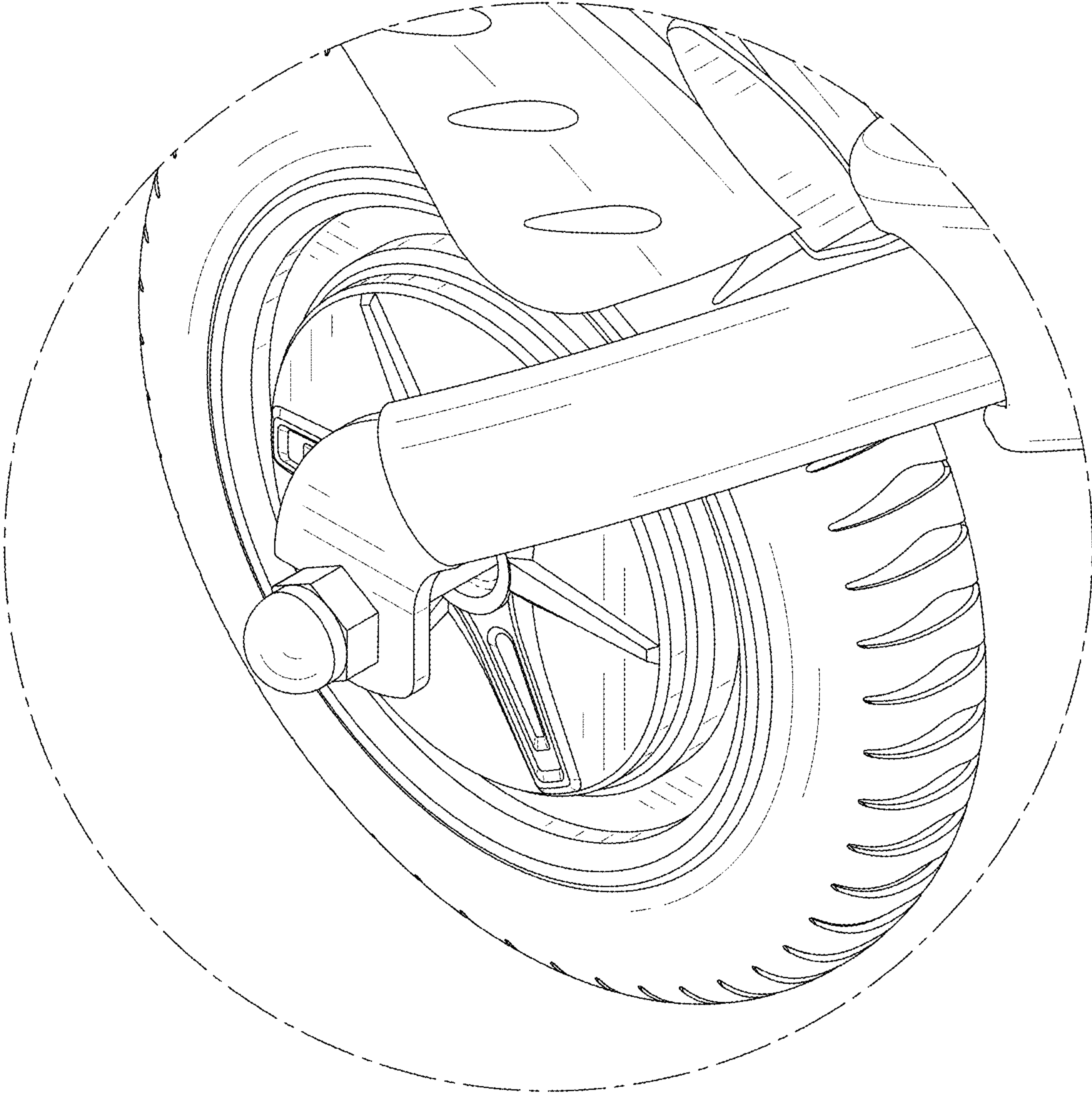


FIG. 9

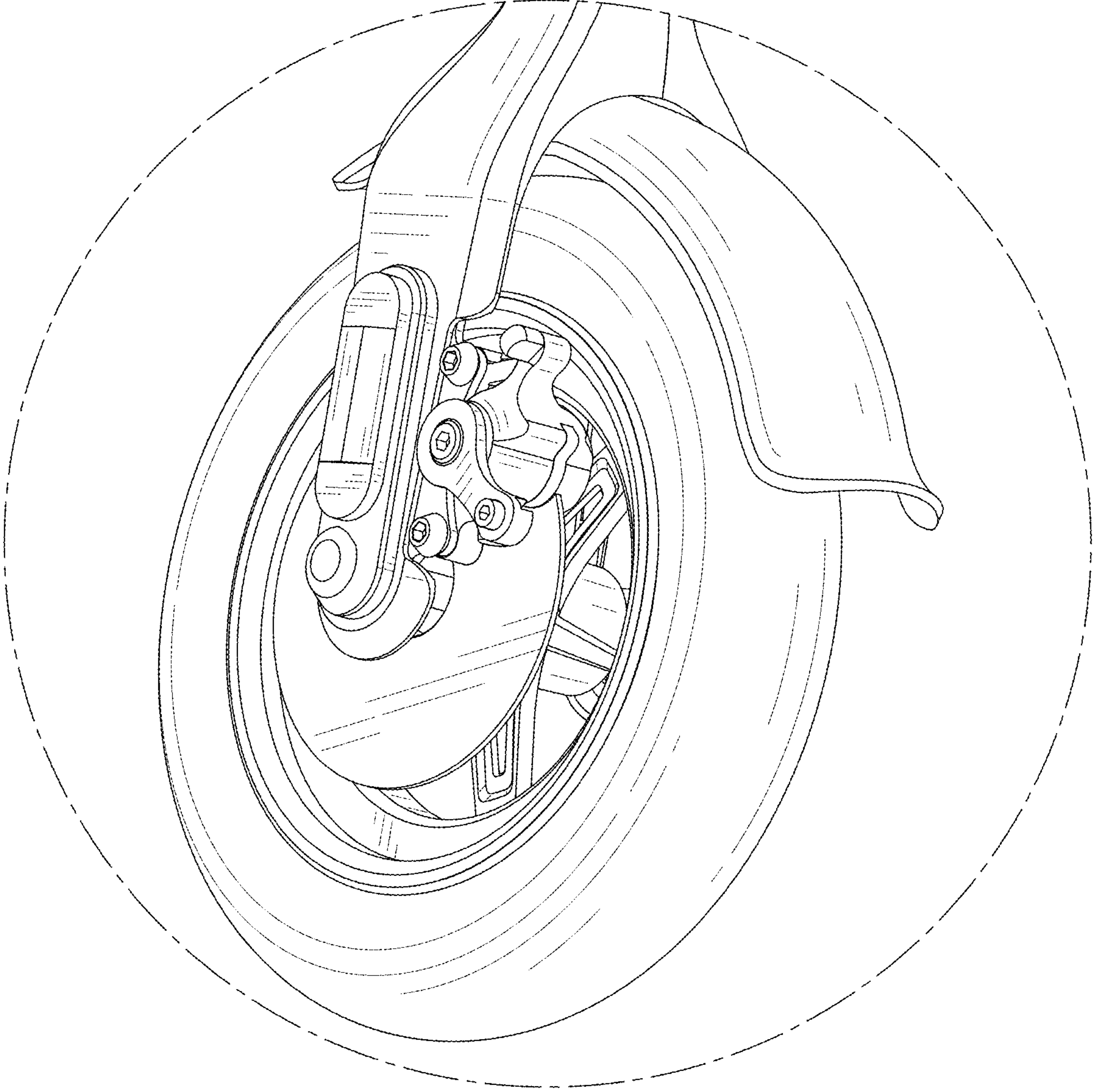


FIG. 10

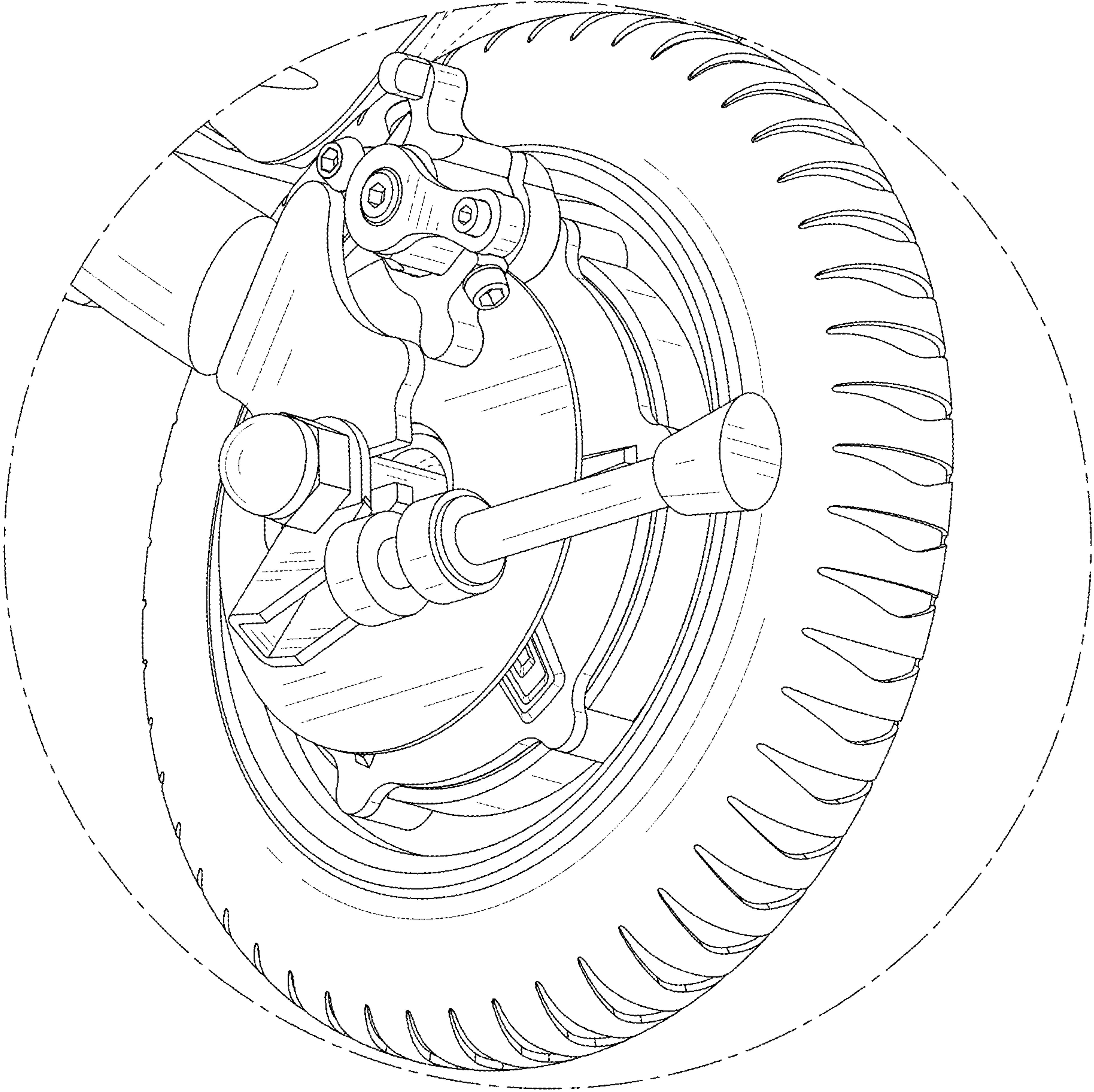


FIG. 11

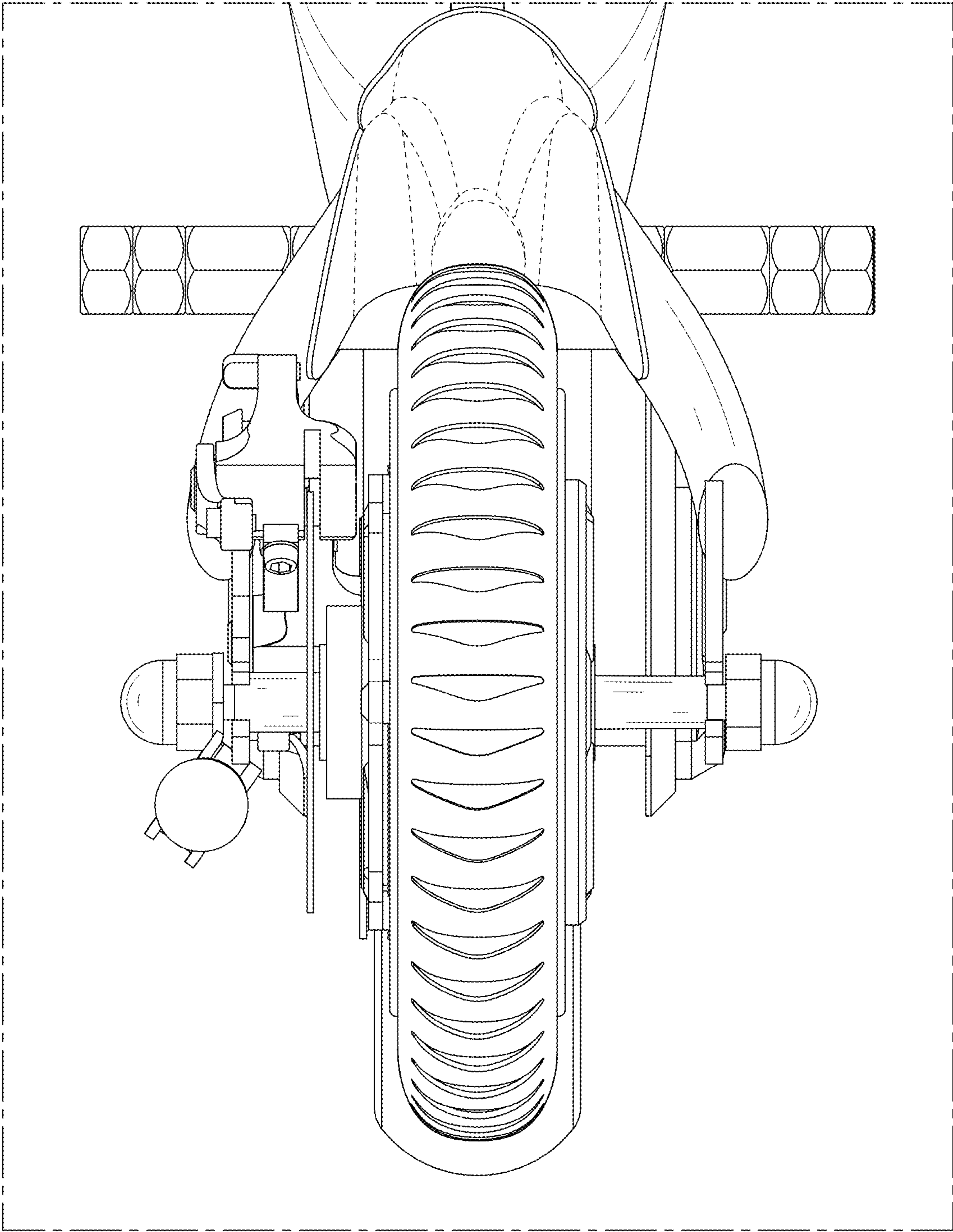


FIG. 12