



US00D928655S

(12) **United States Design Patent** (10) **Patent No.:** **US D928,655 S**  
**Mouquet et al.** (45) **Date of Patent:** **\*\* Aug. 24, 2021**

(54) **BUCKLE**

(71) Applicant: **HERMES SELLIER (Société par actions simplifiée)**, Paris (FR)

(72) Inventors: **Philippe Mouquet**, Paris (FR);  
**Catherine de Karolyi**, Paris (FR)

(\*\*) Term: **15 Years**

(21) Appl. No.: **35/510,088**

(22) Filed: **Feb. 12, 2020**

(80) **Hague Agreement Data**

Int. Filing Date: **Feb. 12, 2020**

Int. Reg. No.: **DM/206686**

Int. Reg. Date: **Feb. 12, 2020**

Int. Reg. Pub. Date: **Aug. 14, 2020**

(51) **LOC (13) Cl.** ..... **02-07**

(52) **U.S. Cl.**  
USPC ..... **D11/232**

(58) **Field of Classification Search**  
USPC ..... D11/200, 202, 229, 61, 201, 206, 209,  
D11/213, 214, 221, 226, 230, 231, 232,  
D11/86, 87, 234, 233, 235, 236, 237, 238,  
D11/1-2, 22, 40, 79; 24/163 R, 170, 335,  
24/616, 173, 177-179, 191, 194-195,  
24/197, 200, 578.11, 578.1; D2/976, 978,  
D2/971, 853, 624; 2/300  
CPC ..... A44B 11/25; A44B 11/26; A44B 11/00;  
A44B 11/001; A44B 11/005; A44B 11/06;  
A44B 11/04; A44B 11/22; A44B 11/24;  
A44C 15/004; A44C 1/00

See application file for complete search history.

(56) **References Cited**

U.S. PATENT DOCUMENTS

D523,377 S \* 6/2006 Mouquet ..... D11/234  
D536,281 S \* 2/2007 Mouquet ..... D11/234  
D556,081 S \* 11/2007 Mouquet ..... D11/87  
D704,590 S \* 5/2014 Liao ..... D11/86  
D713,294 S \* 9/2014 Mouquet ..... D11/231  
D715,178 S \* 10/2014 Venturini Fendi ..... A44C 5/00  
D11/87  
D830,227 S \* 10/2018 Mouquet ..... D11/231  
D856,846 S \* 8/2019 Mouquet ..... D11/231  
D857,551 S \* 8/2019 Mouquet ..... D11/231  
D857,552 S \* 8/2019 Mouquet ..... D11/231

OTHER PUBLICATIONS

[Online] "H Speed Belt Buckle and Leather Strap 42mm" [https://www.hermes.com/us/en/product/h-speed-belt-buckle-leather-strap-32mm-U\\_BELT\\_32\\_HOMMEpH081085CB86pH067123CA89100/](https://www.hermes.com/us/en/product/h-speed-belt-buckle-leather-strap-32mm-U_BELT_32_HOMMEpH081085CB86pH067123CA89100/). Retrieved Apr. 9, 2021.\*

\* cited by examiner

*Primary Examiner* — Melanie Pellegrini

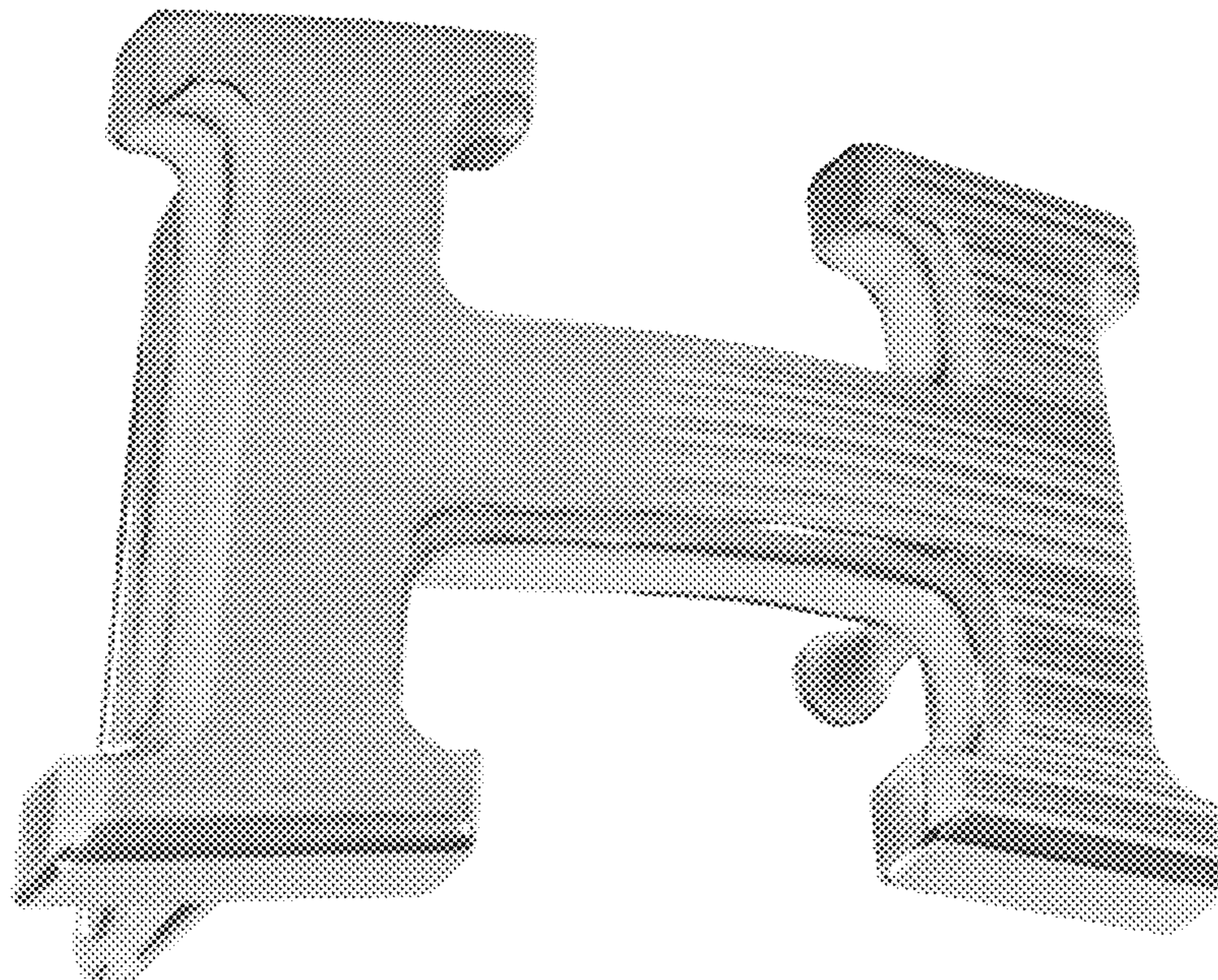
(57) **CLAIM**

The ornamental design for buckle, as shown and described.

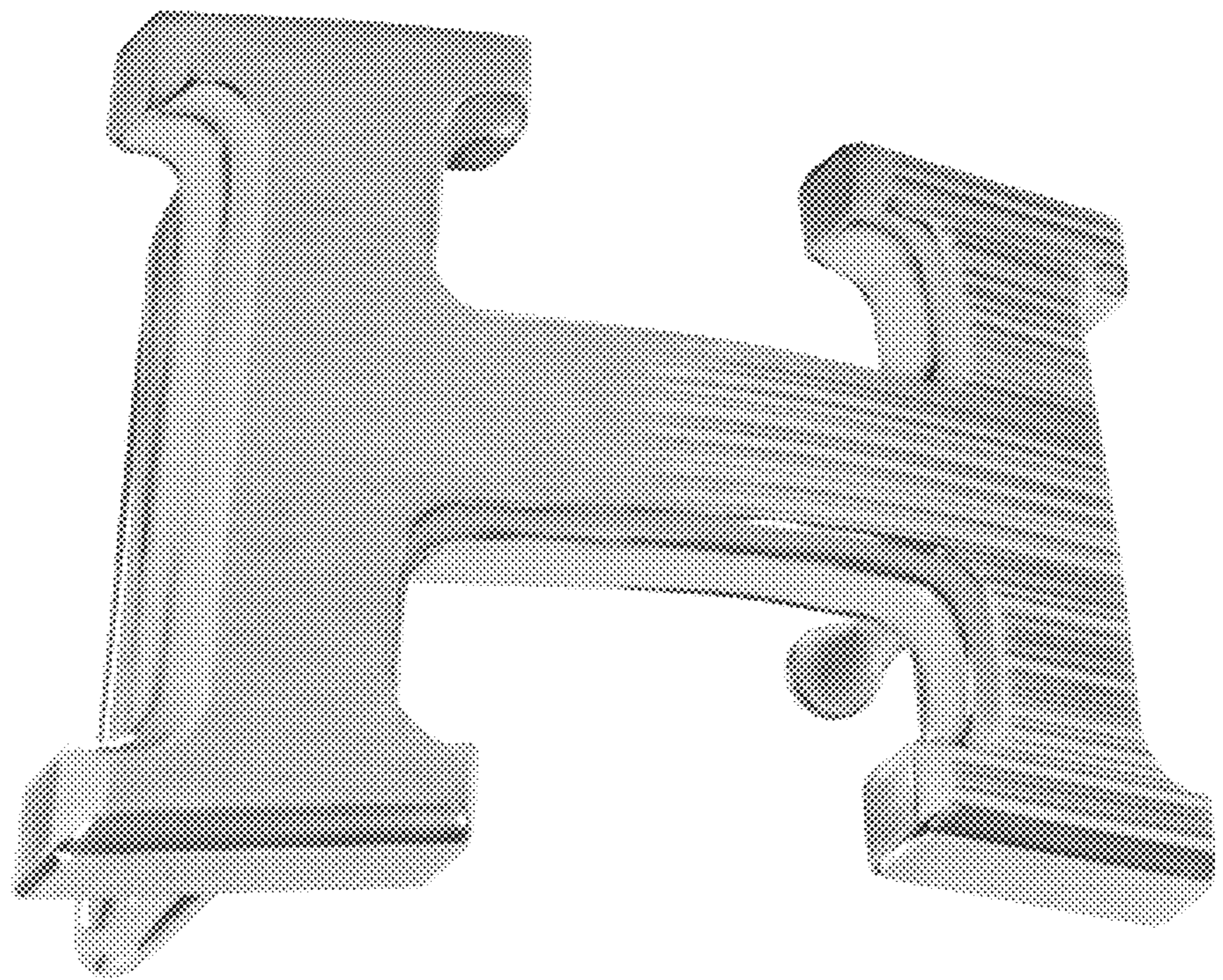
**DESCRIPTION**

- 1. Buckle
- 1.1 : Perspective
- 1.2 : Front
- 1.3 : Back
- 1.4 : Right
- 1.5 : Left
- 1.6 : Top
- 1.7 : Bottom

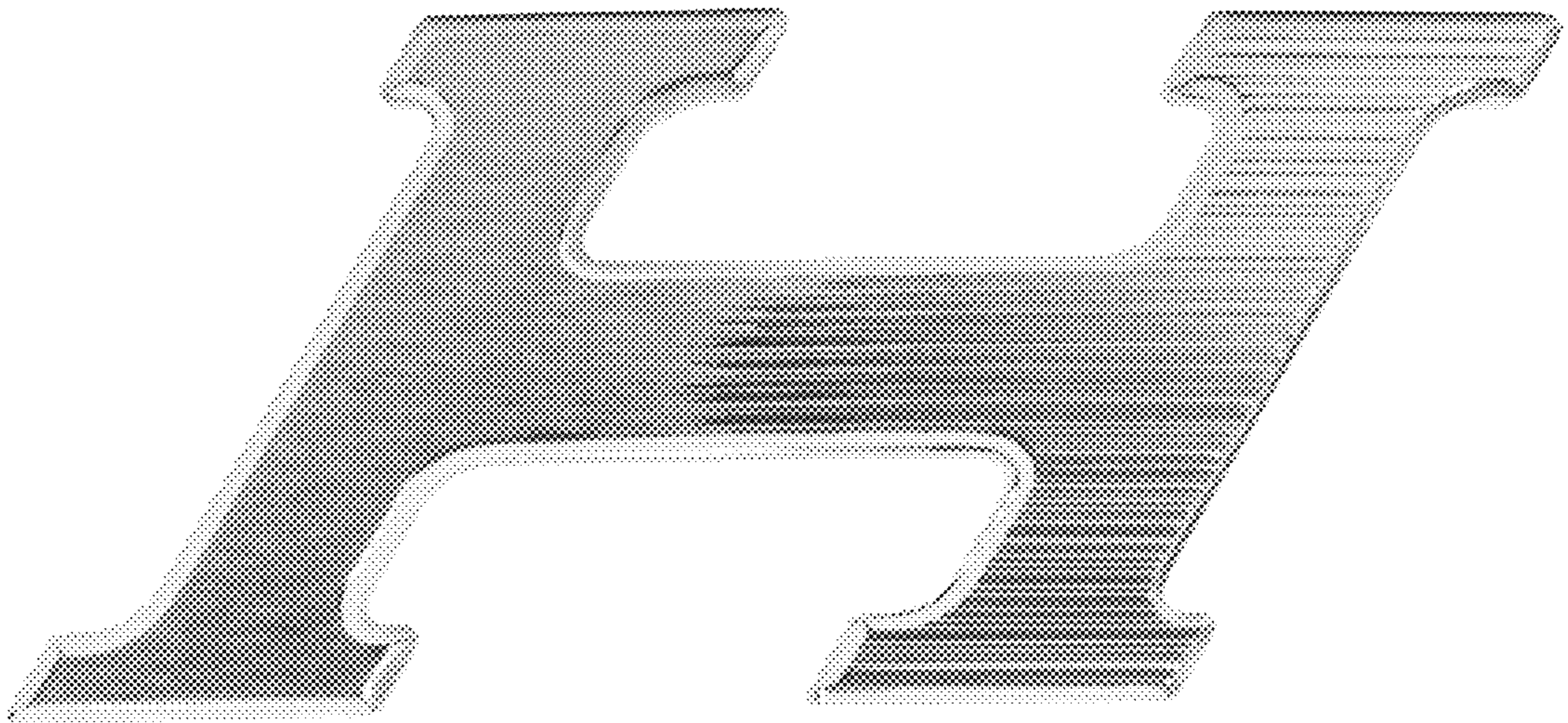
**1 Claim, 7 Drawing Sheets**



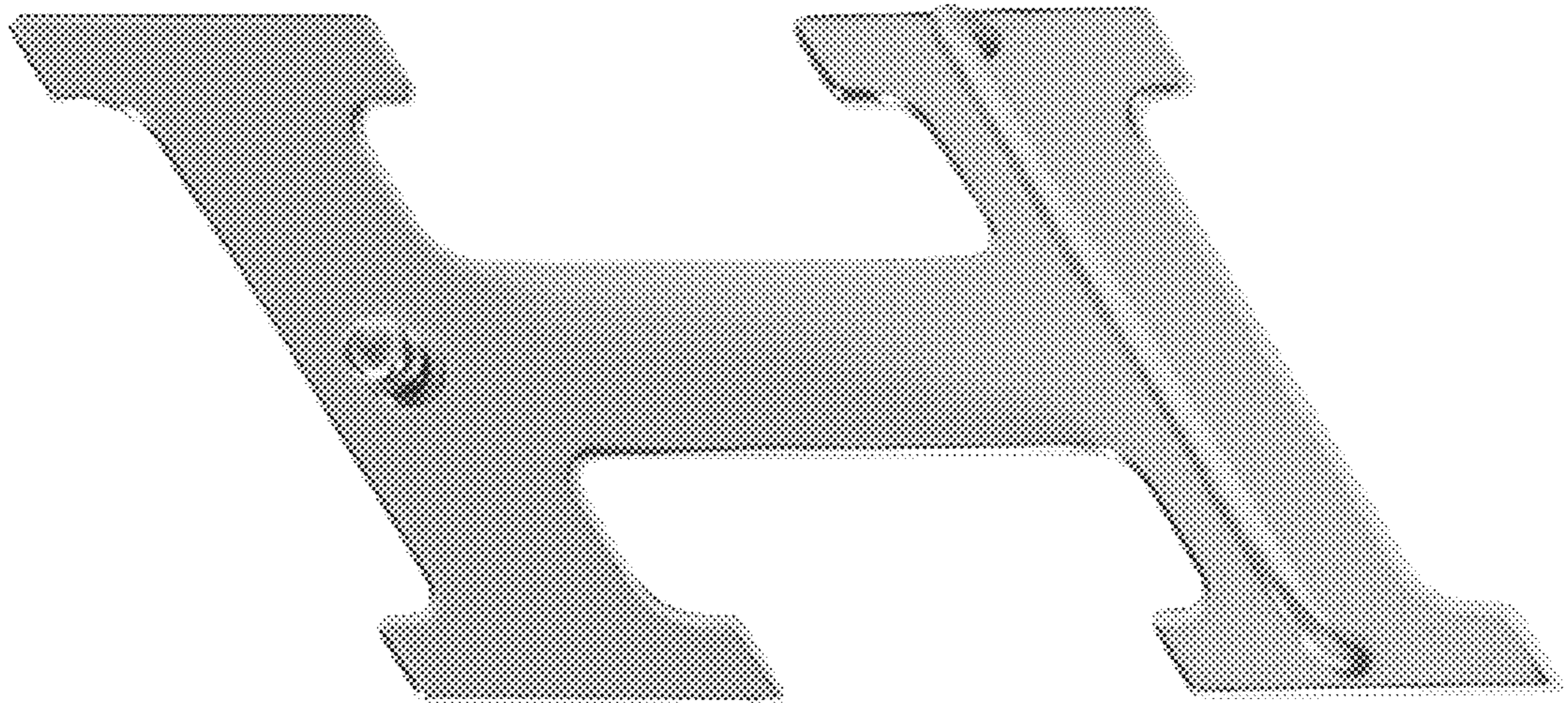
1.1



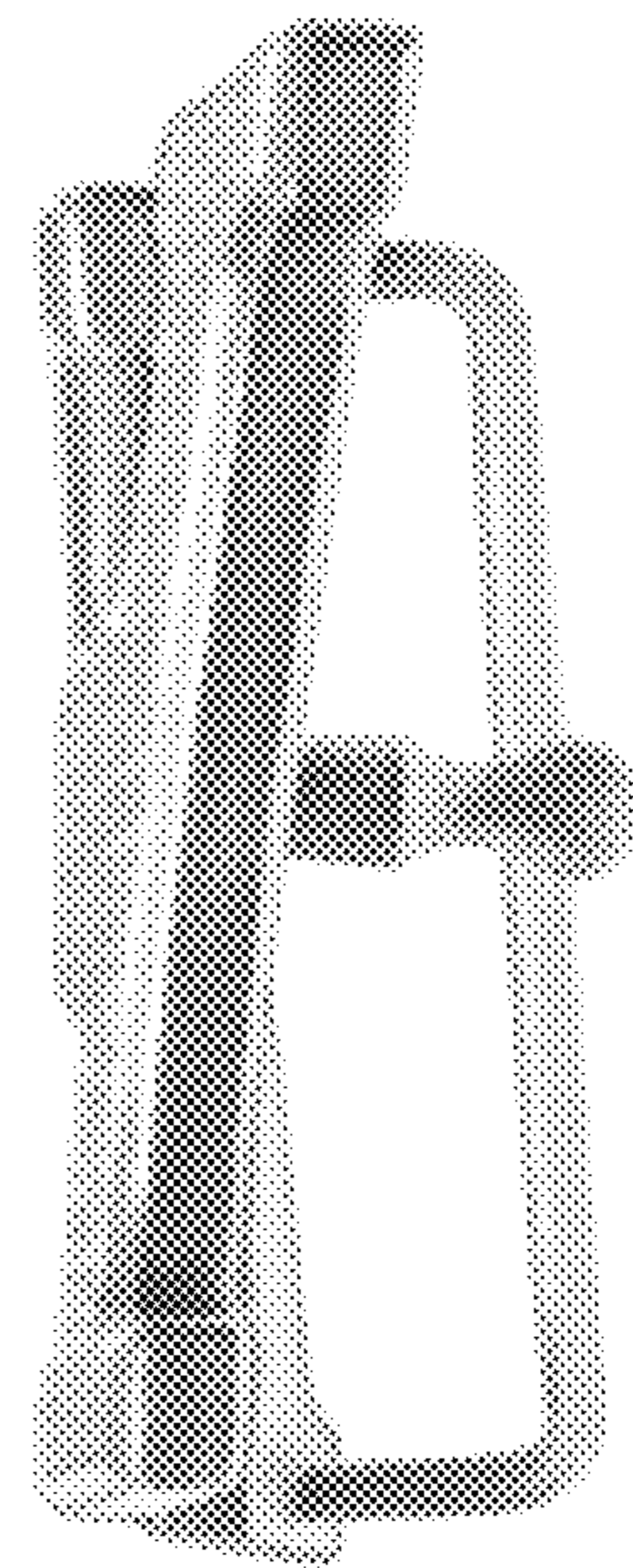
1.2



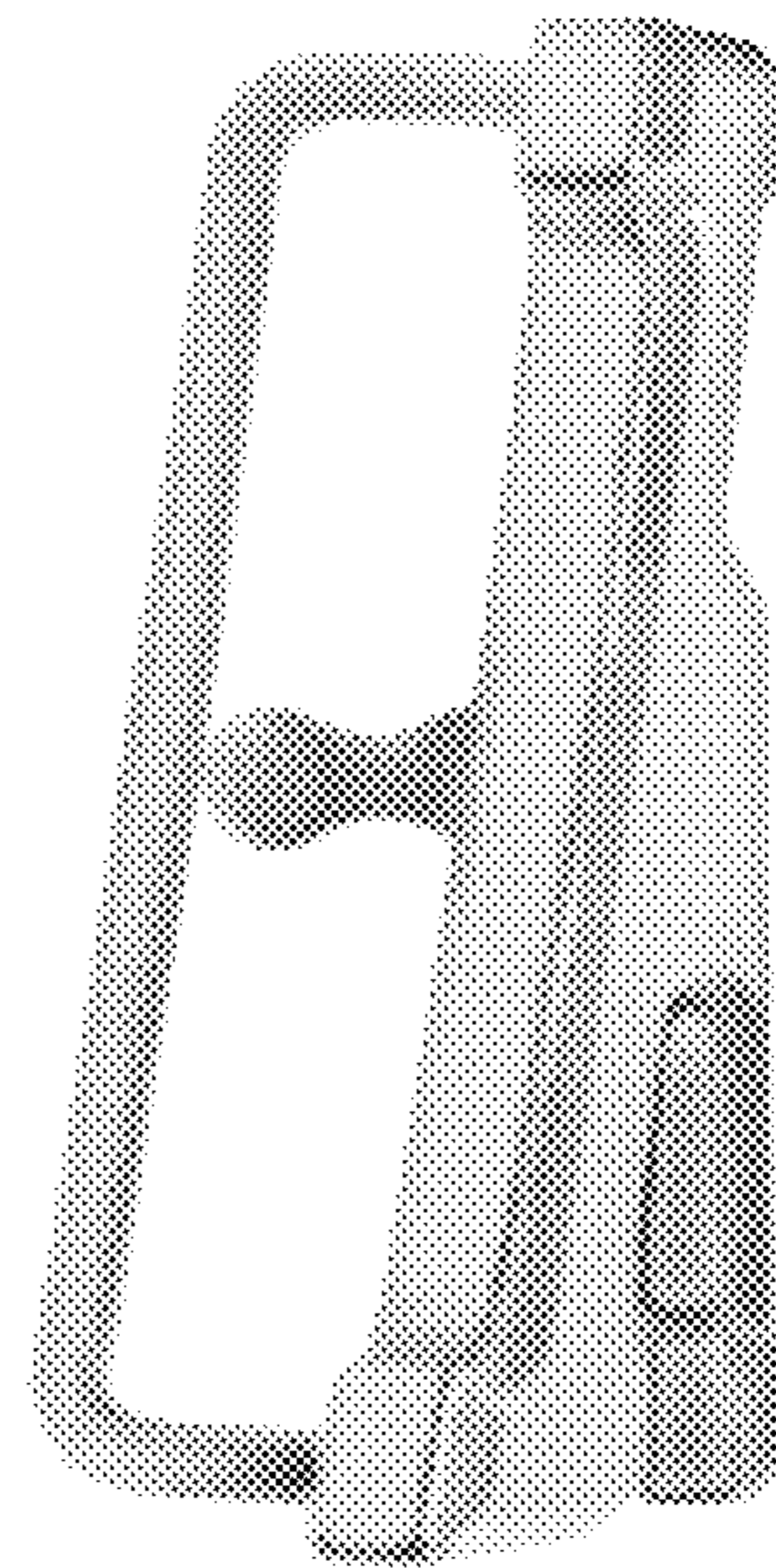
1.3



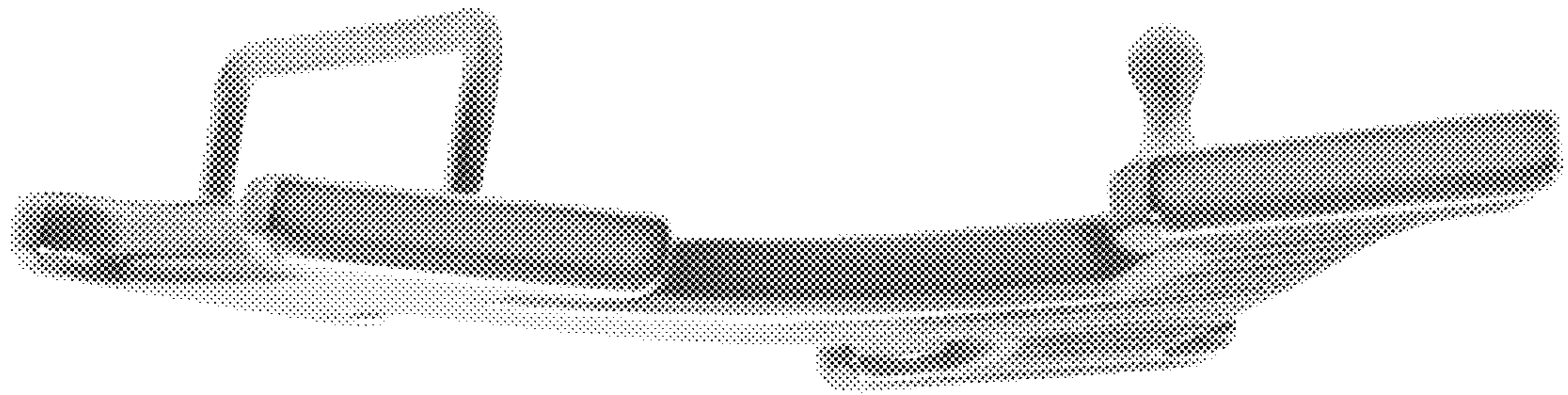
1.4



1.5



1.6



1.7

