



US00D928653S

(12) **United States Design Patent** (10) **Patent No.:** **US D928,653 S**
Barile (45) **Date of Patent:** **** Aug. 24, 2021**

(54) **FLOWERPOT**
(71) Applicant: **GABE S.R.L.**, Terlizzi (IT)
(72) Inventor: **Gioacchino Barile**, Terlizzi (IT)
(**) Term: **15 Years**
(21) Appl. No.: **29/724,281**
(22) Filed: **Feb. 13, 2020**
(51) **LOC (13) Cl.** **11-02**
(52) **U.S. Cl.**
USPC **D11/151**
(58) **Field of Classification Search**
USPC D11/143–156; D7/560, 561, 562, 586,
D7/587; D9/663, 430
CPC A01G 9/02; A01G 9/021; A01G 9/022;
A01G 9/04; A01G 27/003; A01G 27/005;
A01G 27/008; A47G 7/00; A47G 7/02;
A47G 7/06; A47G 7/08
See application file for complete search history.

D374,414 S * 10/1996 Weder D11/164
D385,186 S * 10/1997 Fildan D9/430
D388,738 S * 1/1998 Weder D11/164
D408,594 S * 4/1999 Nakano D28/91
D424,331 S * 5/2000 Juang D6/659
D431,002 S * 9/2000 Bertozzi D9/663
D556,512 S * 12/2007 Mansfield D7/509
D563,171 S * 3/2008 Mansfield D7/509
D682,115 S * 5/2013 Dumas D9/663
D700,058 S * 2/2014 Dumas D9/663
D736,645 S * 8/2015 Gomez D9/663
9,302,834 B2 * 4/2016 Campesino B65D 71/36
D786,668 S * 5/2017 Cornaglia D9/430
D826,695 S * 8/2018 Bolster D8/354
D900,601 S * 11/2020 Chen D9/430
D901,307 S * 11/2020 Ha D9/663
D902,776 S * 11/2020 Bansal D11/143

* cited by examiner

Primary Examiner — Elizabeth A. Albert

(57) **CLAIM**

The ornamental design for a flowerpot, as shown and described.

DESCRIPTION

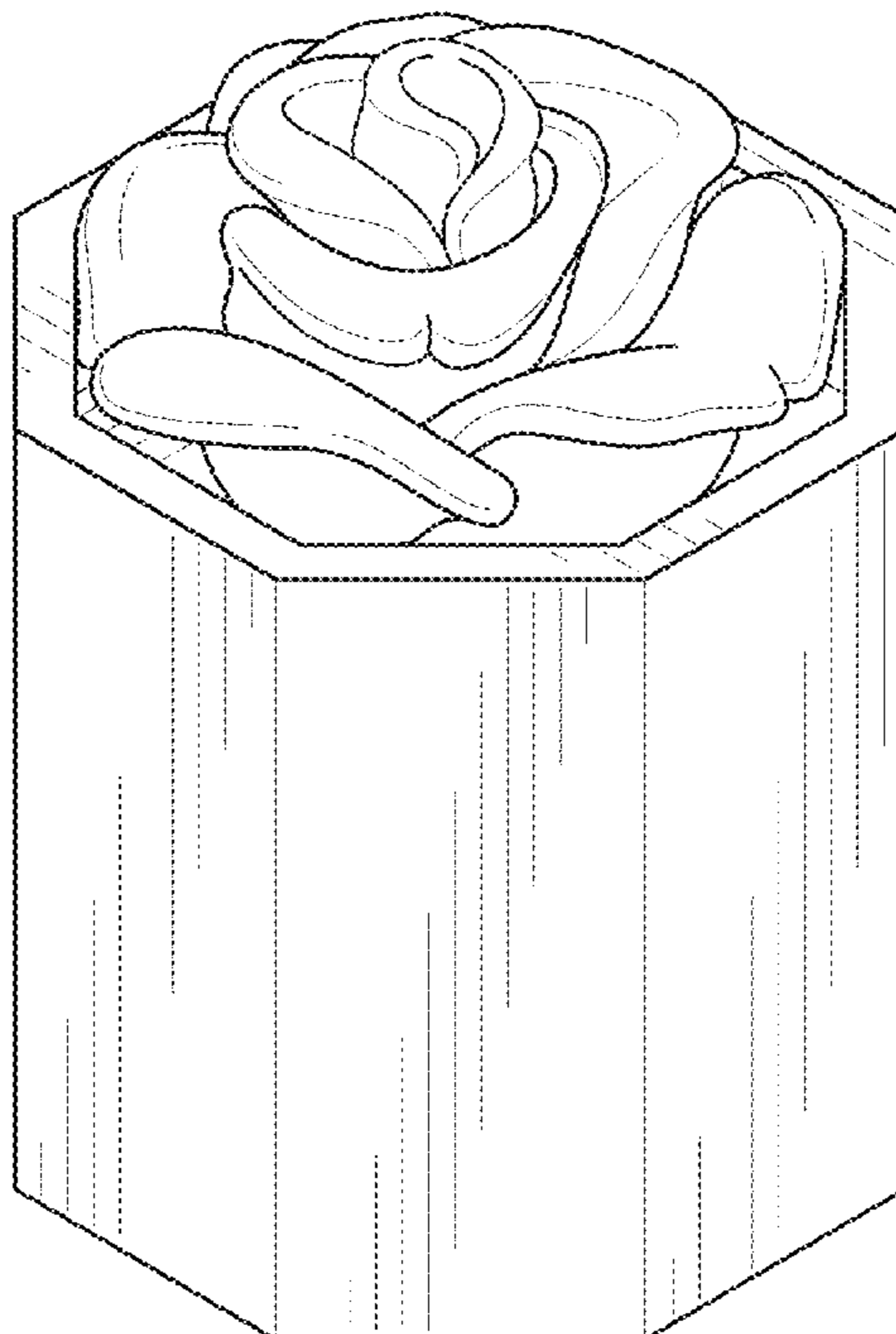
FIG. 1 is a top view of a flowerpot showing my new design. FIG. 2 is a first perspective view thereof; FIG. 3 is a second perspective view thereof; FIG. 4 is a front view thereof; FIG. 5 is a right side view thereof; FIG. 6 is a rear view thereof; FIG. 7 is a left side view thereof; and, FIG. 8 is a bottom view thereof. The broken lines in FIG. 8 illustrate portions of the flowerpot that form no part of the claimed design.

1 Claim, 3 Drawing Sheets

(56) **References Cited**

U.S. PATENT DOCUMENTS

D99,783 S * 5/1936 Duryea D11/147
D103,122 S * 2/1937 Mogi D9/663
D106,790 S * 11/1937 Guerlain D9/430
2,148,959 A * 2/1939 Pavlecka F16B 39/34
411/302
D152,495 S * 1/1949 Potts D27/188
D164,566 S * 9/1951 Friedman D9/663
2,908,112 A * 10/1959 Koistinen A47G 7/00
47/41.11
D318,797 S * 8/1991 Cohen D9/663
D328,706 S * 8/1992 Ruff D9/430
D356,978 S * 4/1995 Rahr D11/143



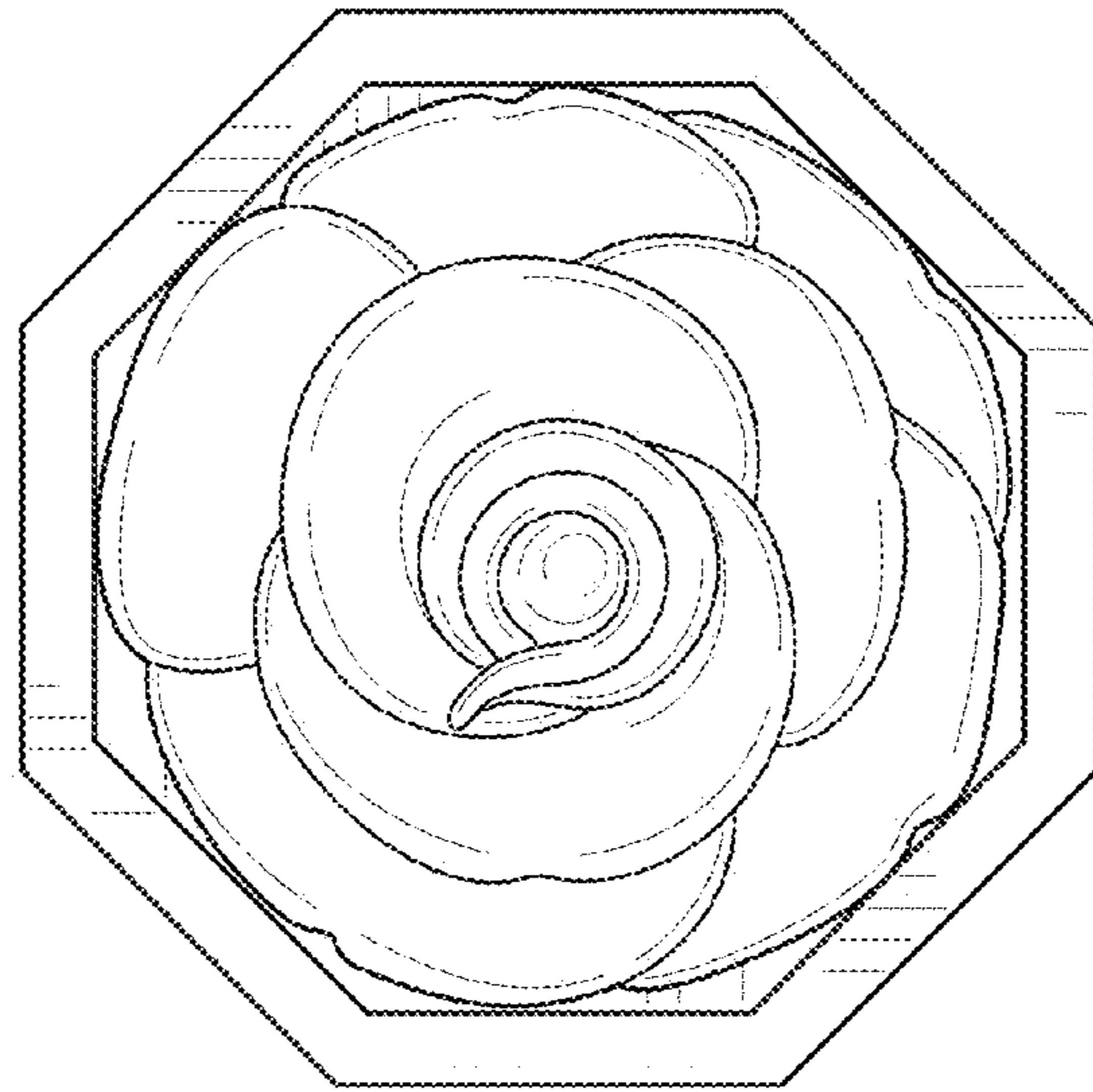


FIG. 1

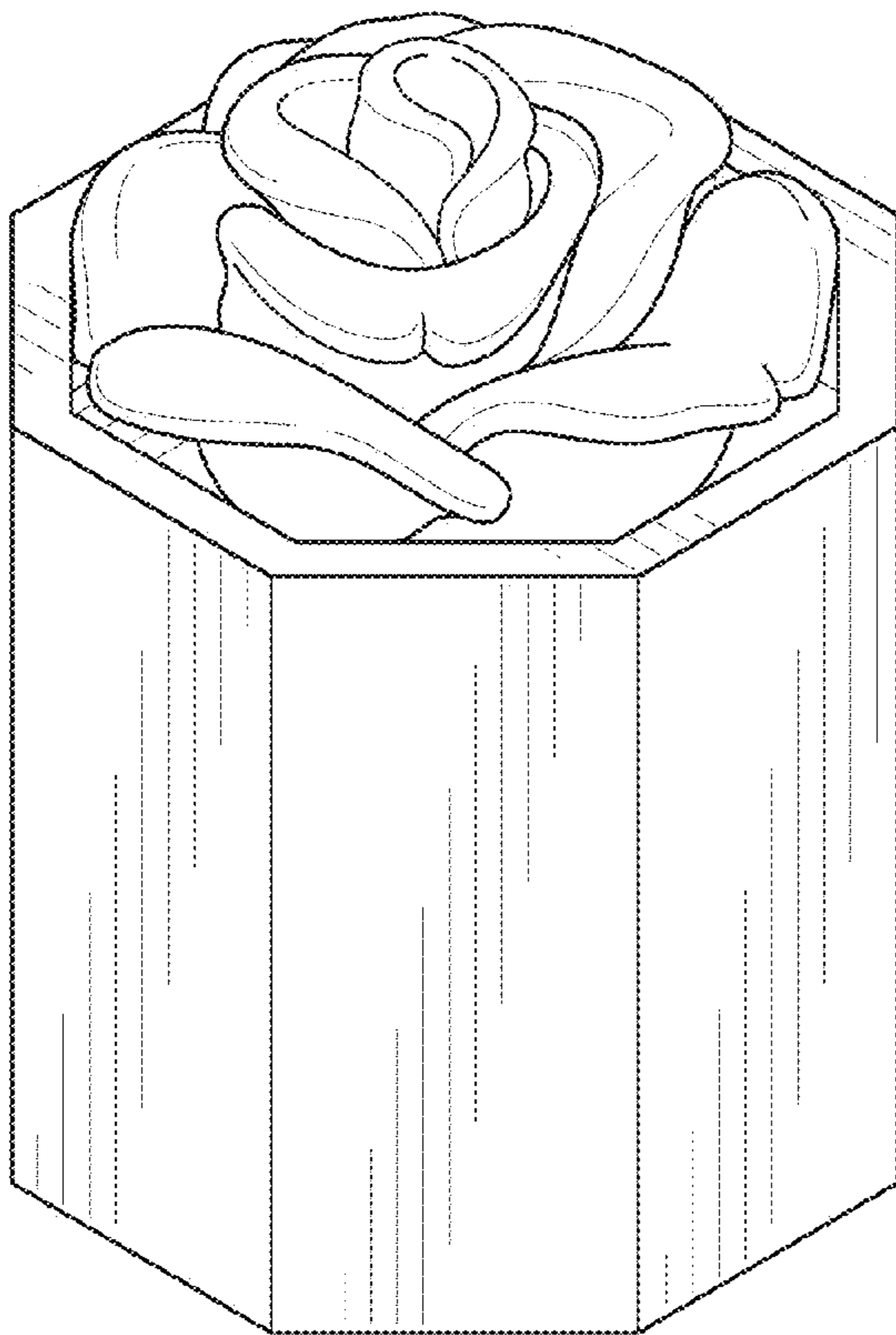


FIG. 2

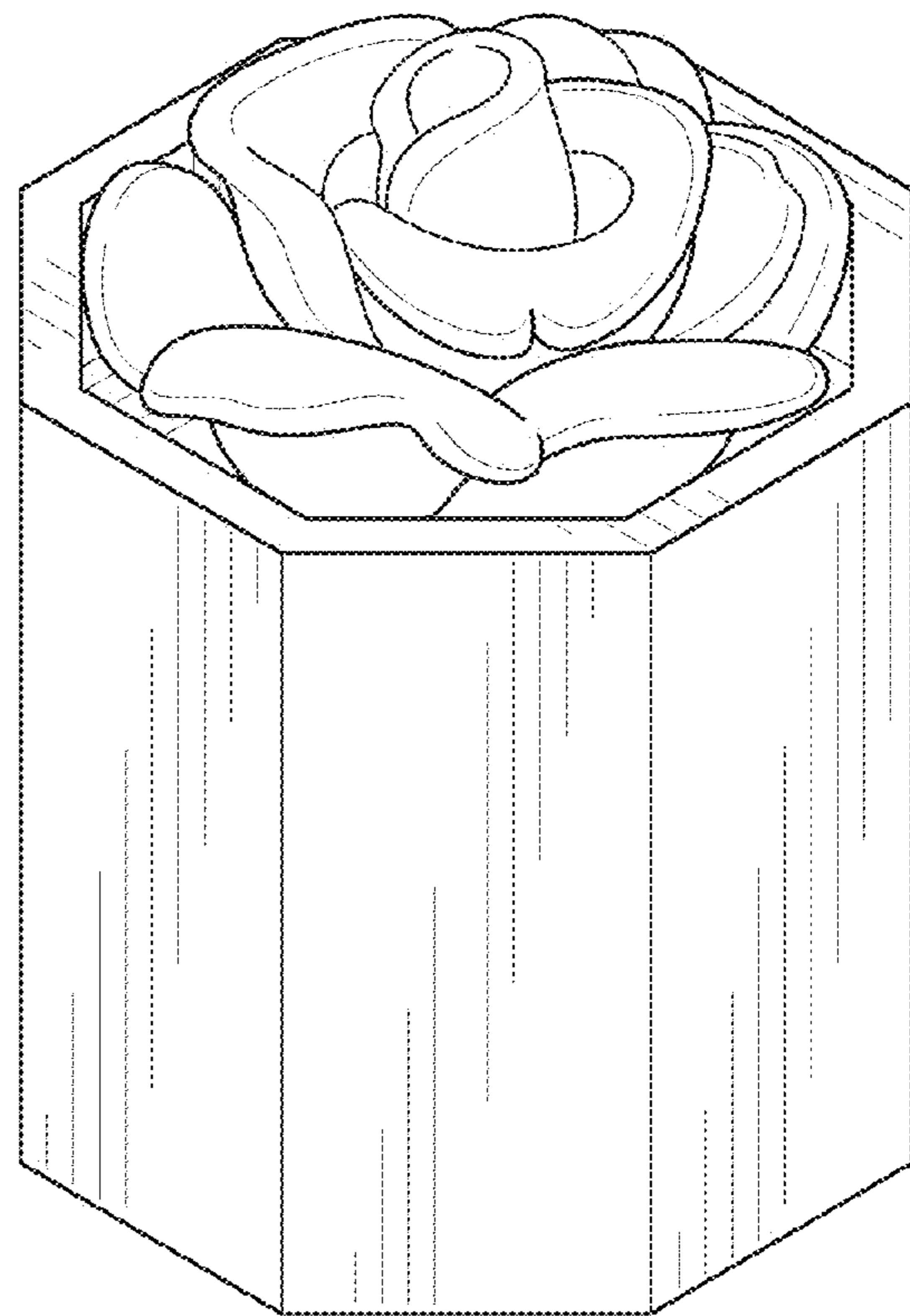


FIG. 3

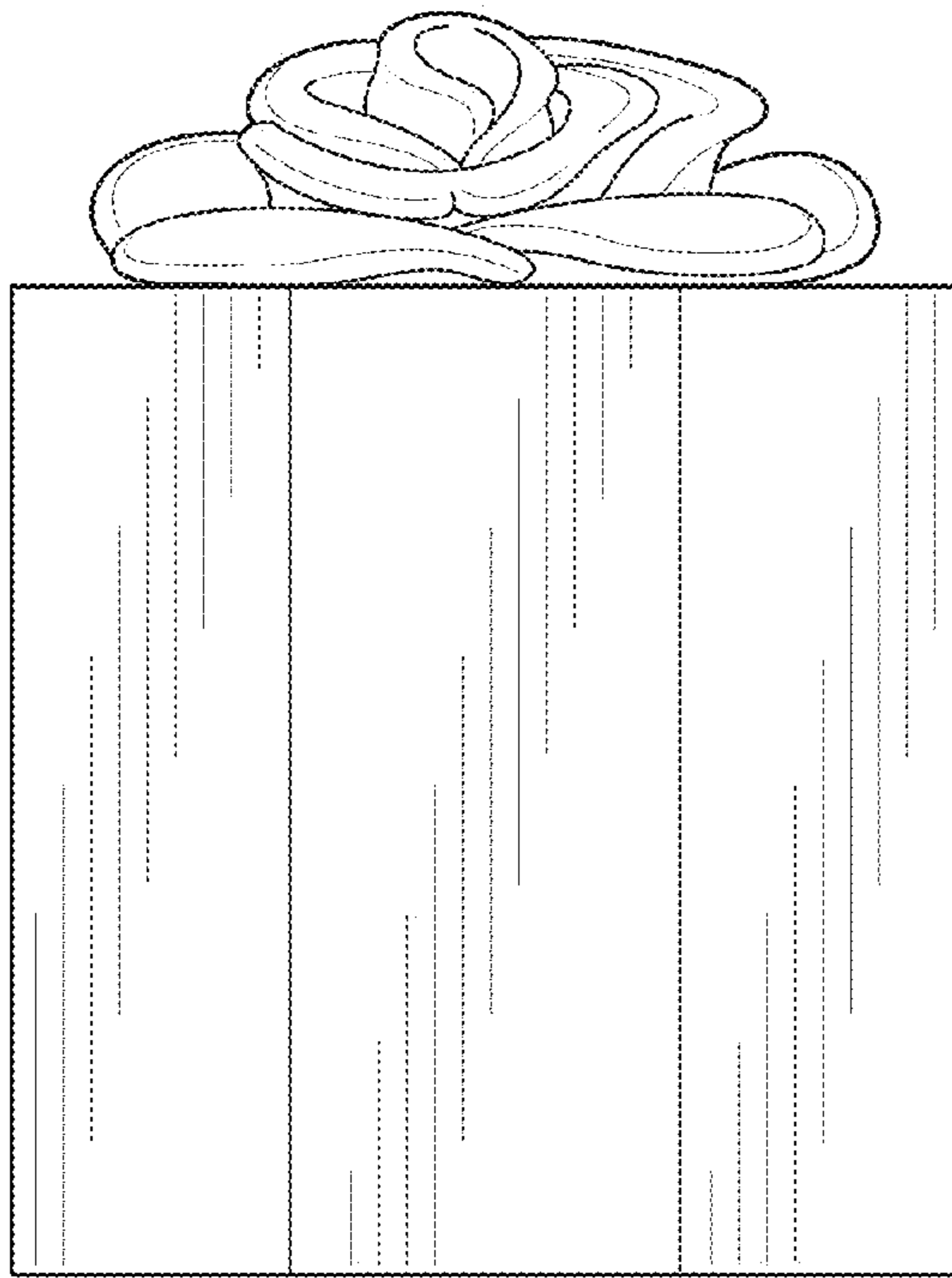


FIG. 4

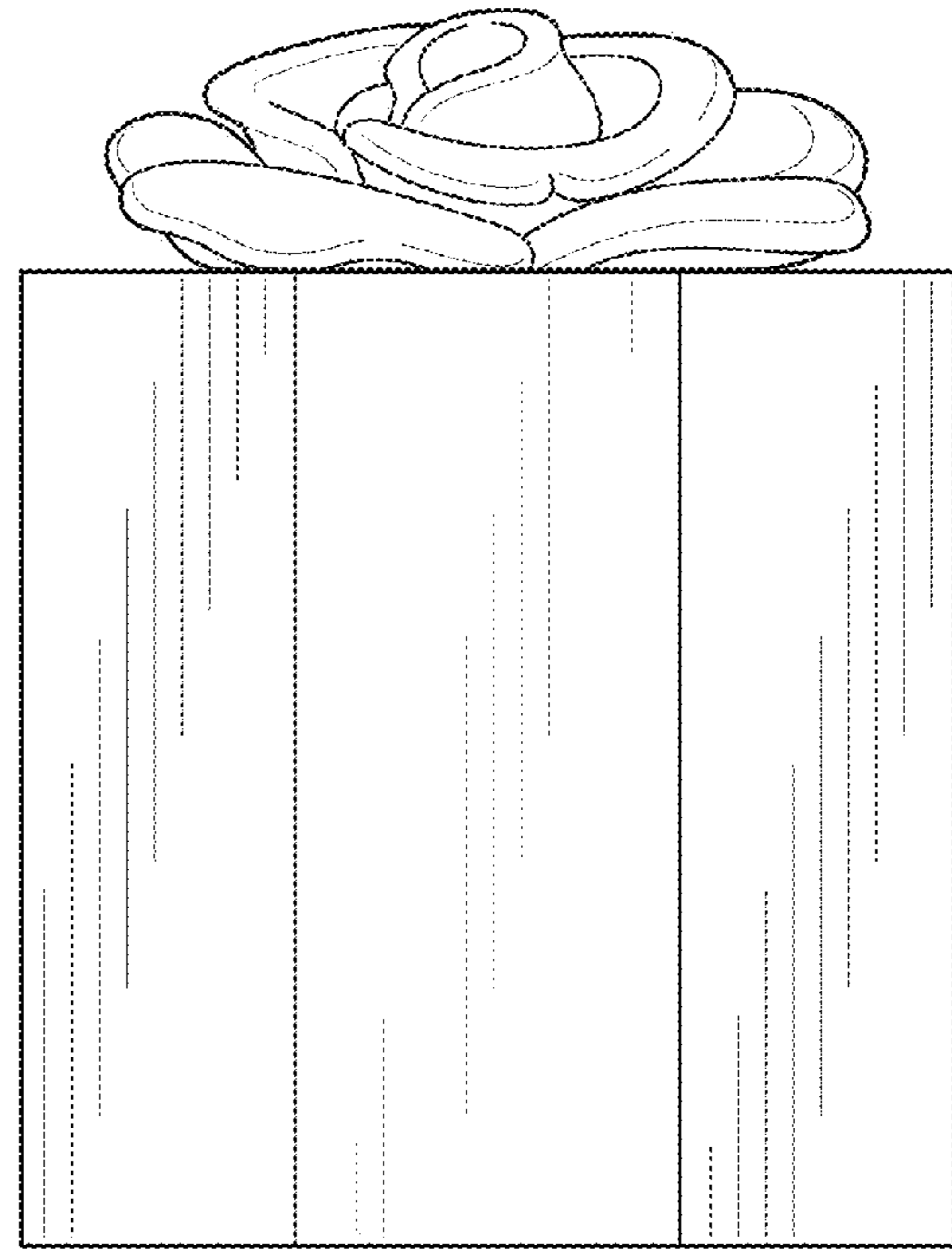


FIG. 5

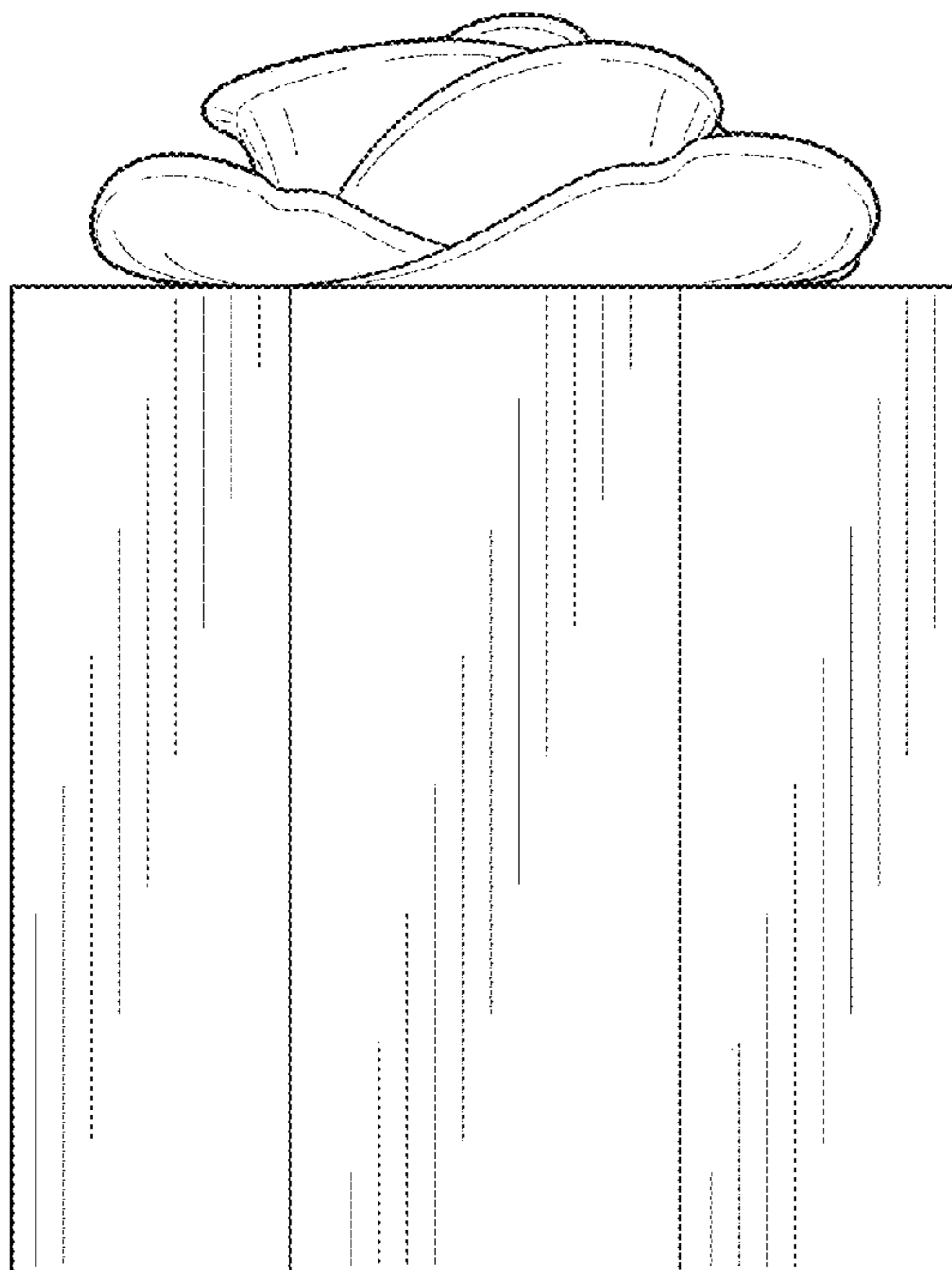


FIG. 6

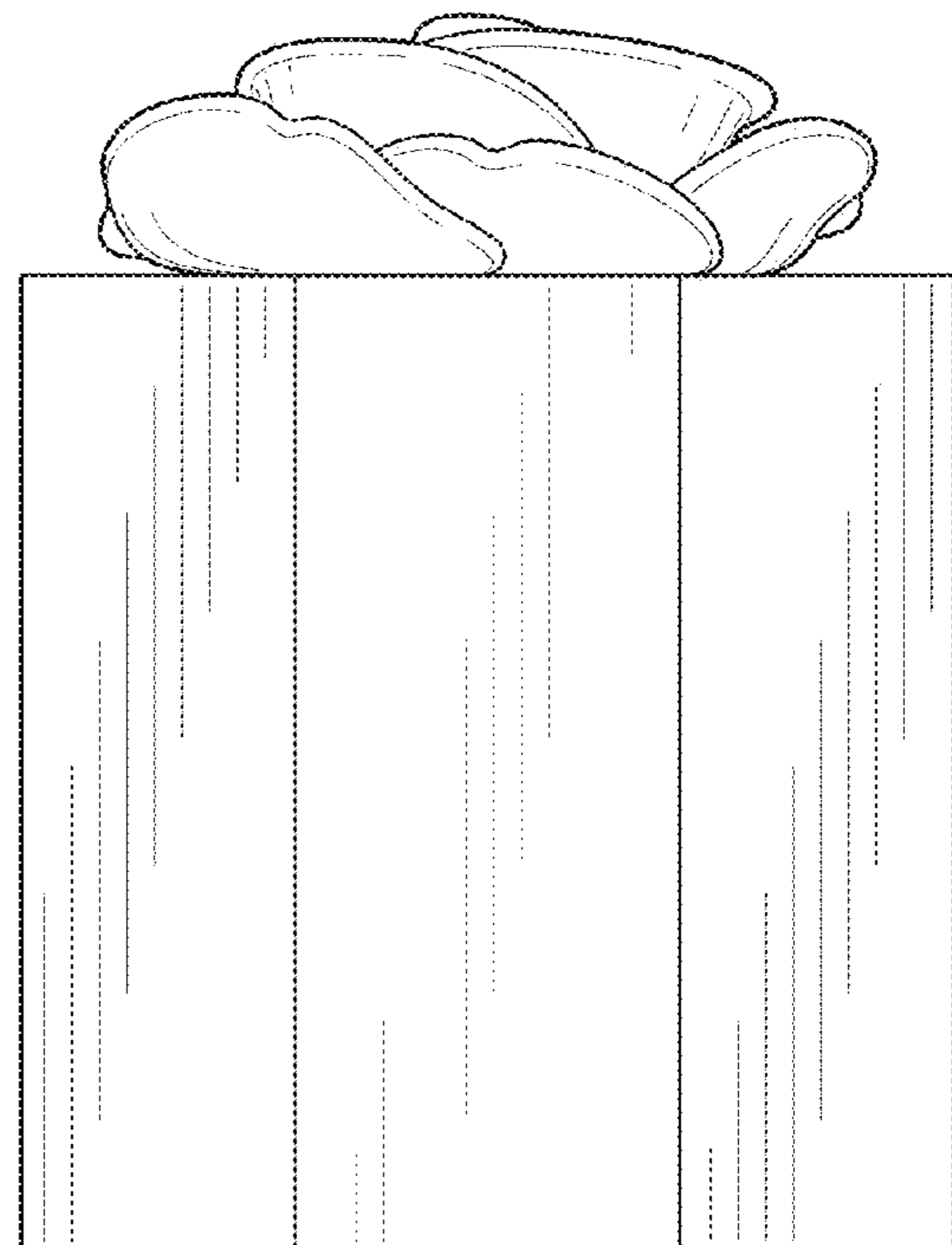


FIG. 7

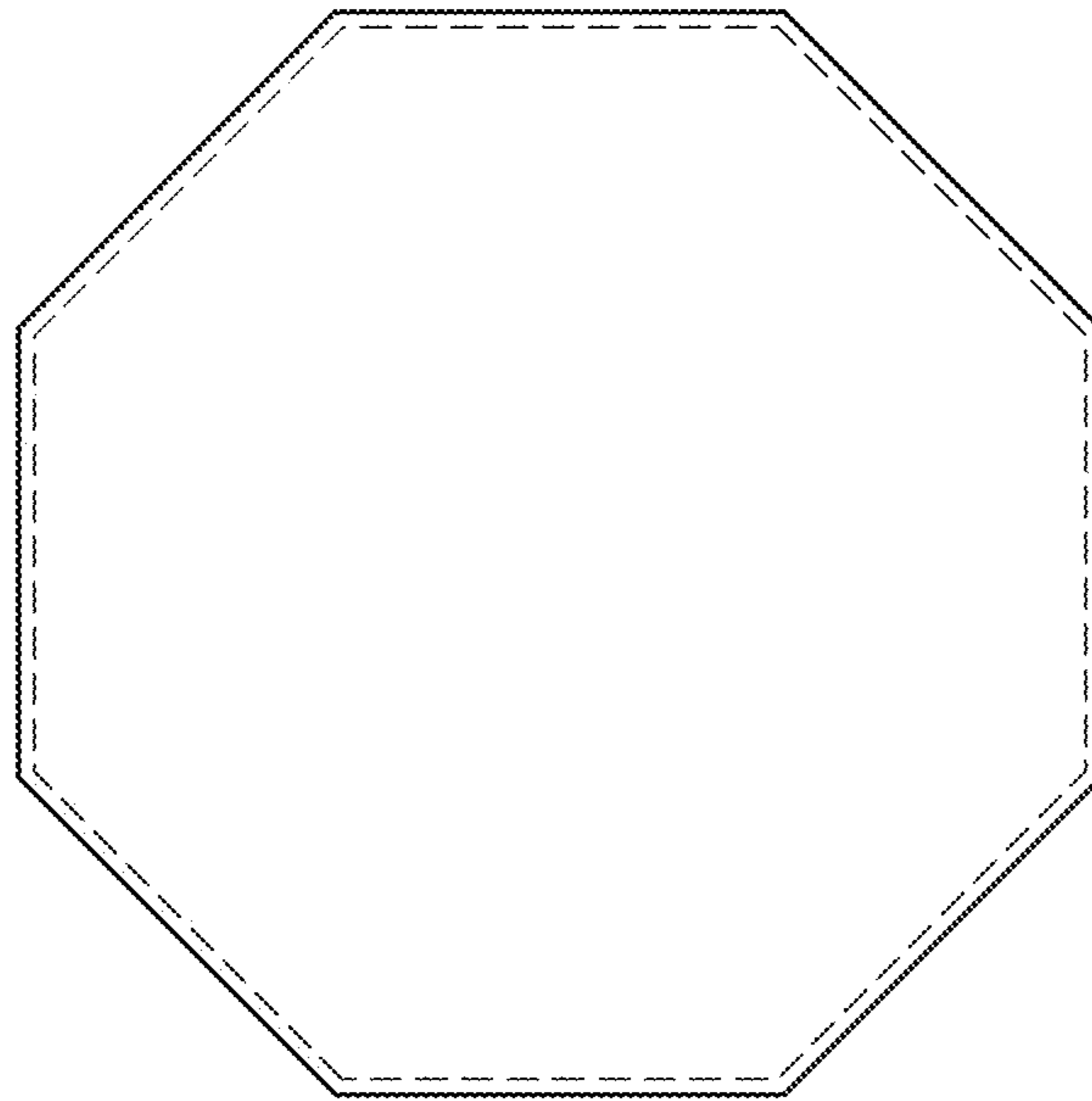


FIG. 8