



US00D928647S

(12) **United States Design Patent**
Harms et al.

(10) **Patent No.:** **US D928,647 S**

(45) **Date of Patent:** **** Aug. 24, 2021**

(54) **WRISTBAND FOR TRACKING FITNESS**

(71) Applicant: **Google LLC**, Mountain View, CA (US)

(72) Inventors: **Hannes Harms**, Mountain View, CA (US); **Ben Robertson**, San Francisco, CA (US); **Jessica Choi**, San Francisco, CA (US); **Dustin Lee**, San Francisco, CA (US); **Claude Zellweger**, San Francisco, CA (US); **Idil Girard**, Santa Clara, CA (US); **Casey Peterson**, Santa Cruz, CA (US); **Jon Godston**, San Francisco, CA (US); **Simon Quay**, Portland, OR (US)

(73) Assignee: **GOOGLE LLC**, Mountain View, CA (US)

(**) Term: **15 Years**

(21) Appl. No.: **29/757,714**

(22) Filed: **Nov. 9, 2020**

Related U.S. Application Data

(62) Division of application No. 29/686,854, filed on Apr. 8, 2019, now Pat. No. Des. 904,920.

(51) **LOC (13) Cl.** **11-01**

(52) **U.S. Cl.**
USPC **D11/3; D24/186**

(58) **Field of Classification Search**
USPC D11/1-18; D10/31, 32, 38; D14/344; D24/167, 186

CPC A44C 5/00; A44C 5/0007; A44C 5/0015; A44C 5/0046; A44C 5/0053; A44C 5/0061; A44C 5/0069; A44C 5/0076; A44C 5/0084; A44C 5/0092; A44C 5/02; A44C 5/12; A44C 5/14; A44C 5/142; A44C 5/145; A44C 5/147; A44C 5/16; A44C

(Continued)

(56) **References Cited**

U.S. PATENT DOCUMENTS

D279,276 S 6/1985 Matsuo
D279,555 S 7/1985 Matsuo

(Continued)

Primary Examiner — Llorelys Martinez

(74) *Attorney, Agent, or Firm* — Leason Ellis LLP

(57) **CLAIM**

The ornamental design for a wristband for tracking fitness, as shown and described.

DESCRIPTION

FIG. 1 is a front right perspective view of a wristband for tracking fitness, showing our new design in an open position;

FIG. 2 is a front elevation view thereof;

FIG. 3 is a rear elevation view thereof;

FIG. 4 is a right side elevational view thereof;

FIG. 5 is a left side elevational view thereof;

FIG. 6 is a top plan view thereof;

FIG. 7 is a bottom plan view thereof;

FIG. 8 is a front right perspective view of the bottom thereof;

FIG. 9 is a right perspective view of the wristband for tracking fitness of FIG. 1, showing our new design in a folded position;

FIG. 10 is a front elevation view thereof;

FIG. 11 is a rear elevation view thereof;

FIG. 12 is a right side elevational view thereof;

FIG. 13 is a left side elevational view thereof;

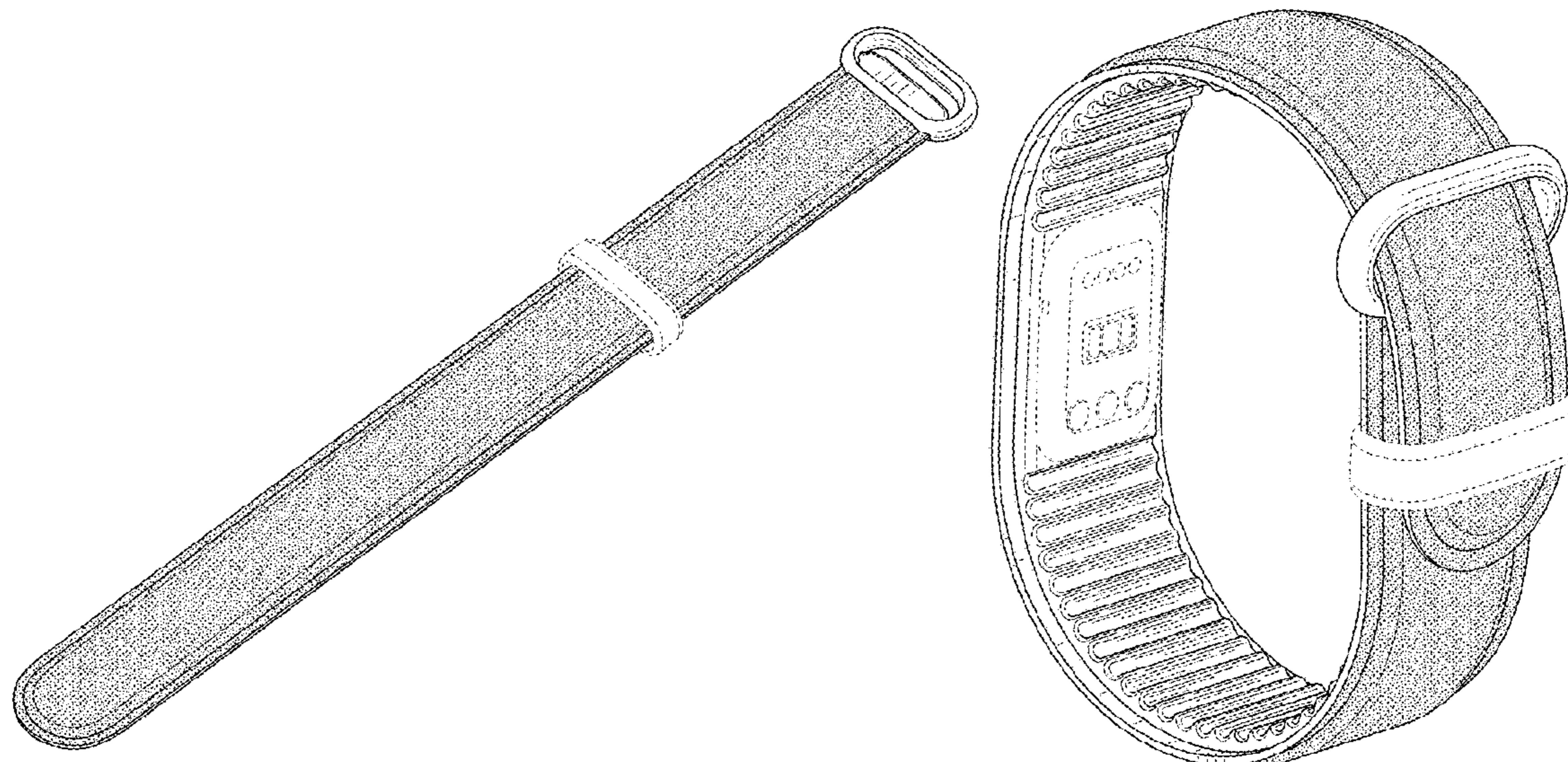
FIG. 14 is a top plan view thereof;

FIG. 15 is a bottom plan view thereof; and,

FIG. 16 is a right rear perspective view thereof.

The broken lines in FIGS. 1-16 represent portions of the wristband for tracking fitness that form no part of the claimed design. The stipple-filled areas represent a contrast in appearance that forms part of the claimed design.

1 Claim, 11 Drawing Sheets



(58) **Field of Classification Search**
 CPC 15/00; A44C 15/005; G04G 17/08; G04G
 21/00; G04G 21/02; G04G 21/025; G04G
 21/04; G04G 21/06
 See application file for complete search history.

(56) **References Cited**
 U.S. PATENT DOCUMENTS

D293,300 S	12/1987	Nikaido et al.	
D295,965 S	5/1988	Murphy	
D296,993 S	8/1988	Givings	
D301,840 S	6/1989	Houlihan	
D324,340 S	3/1992	Houlihan	
D324,341 S	3/1992	Houlihan	
D345,926 S	4/1994	Houlihan	
D353,119 S	12/1994	Greeley et al.	
D390,492 S *	2/1998	Riley	D11/5
D738,772 S	9/2015	Choi et al.	
D767,436 S	9/2016	Goodner et al.	

D793,271 S	8/2017	Cerrato	
D805,643 S	12/2017	Wu	
D809,414 S	2/2018	Komulainen	
D812,608 S	3/2018	Jones et al.	
D818,855 S	5/2018	Tooze	
D824,033 S	7/2018	Masuyama et al.	
D826,763 S	8/2018	Chuang	
D843,997 S	3/2019	Yu	
D853,881 S	7/2019	Akana et al.	
D856,160 S	8/2019	Yu	
D861,677 S	10/2019	Wu	
D862,460 S	10/2019	Zhang	
D864,011 S	10/2019	Moon	
D865,759 S	11/2019	Haranaka et al.	
D868,454 S	12/2019	Moreau et al.	
D875,728 S	2/2020	Wu	
D881,876 S *	4/2020	Xiao	D10/32
D883,840 S	5/2020	Schowalter	
D884,695 S	5/2020	Jones et al.	
D904,919 S *	12/2020	Barczak	D11/3
D904,920 S *	12/2020	Harms	D11/3

* cited by examiner

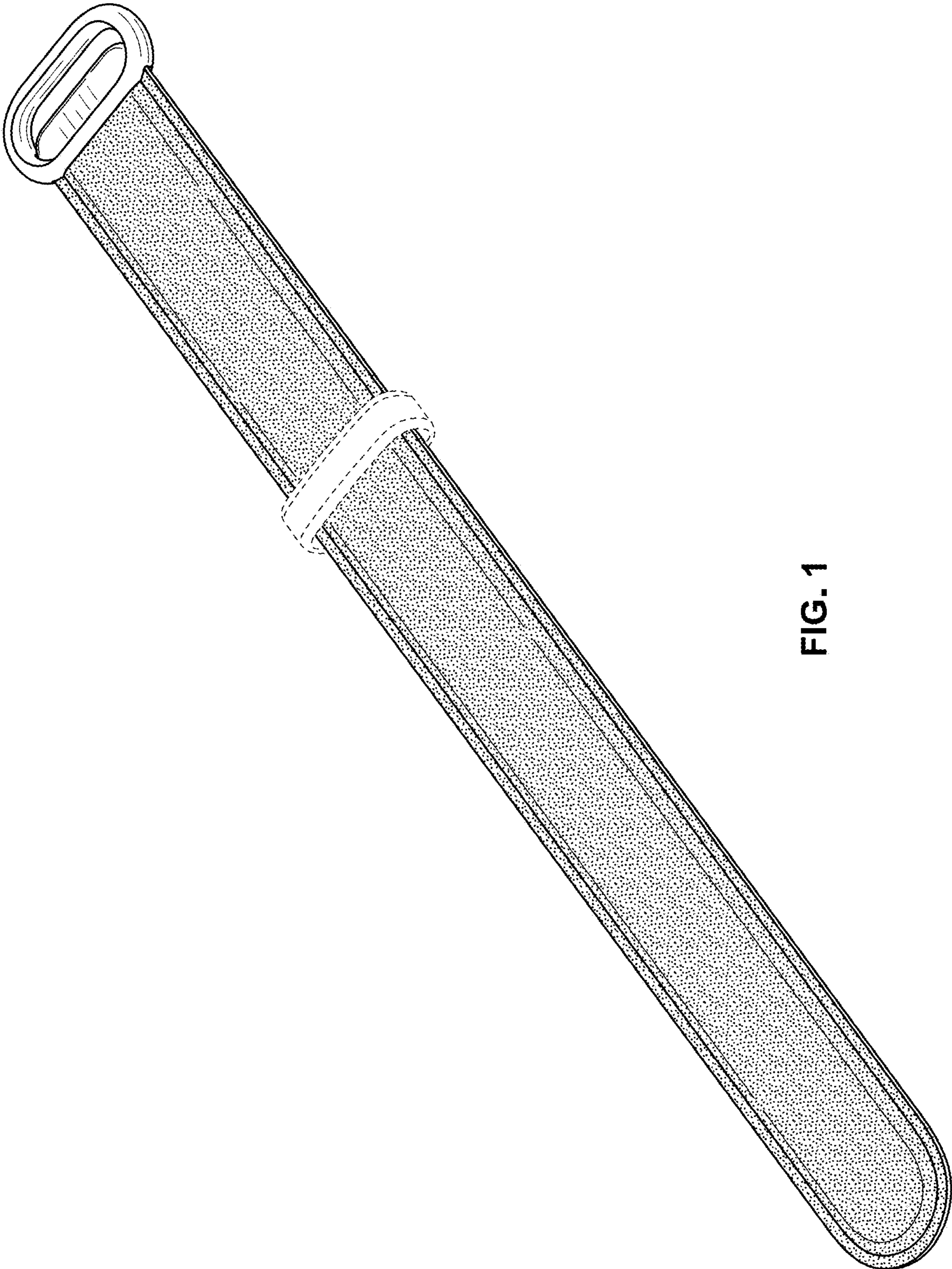


FIG. 1

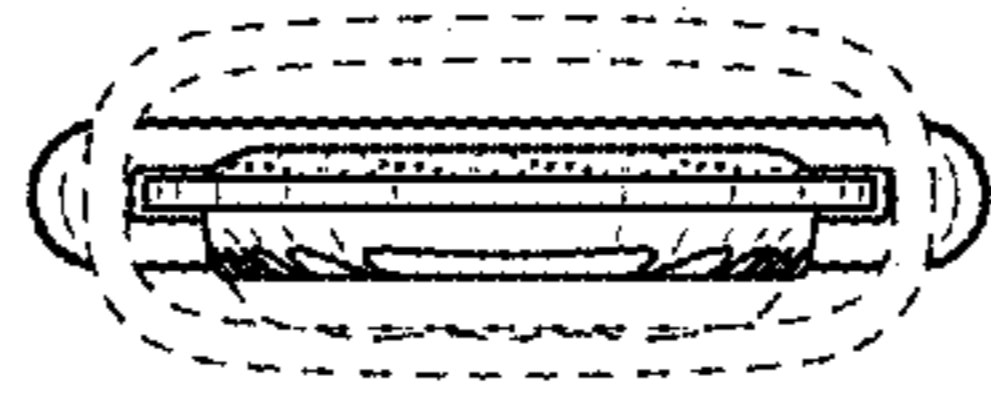


FIG. 2

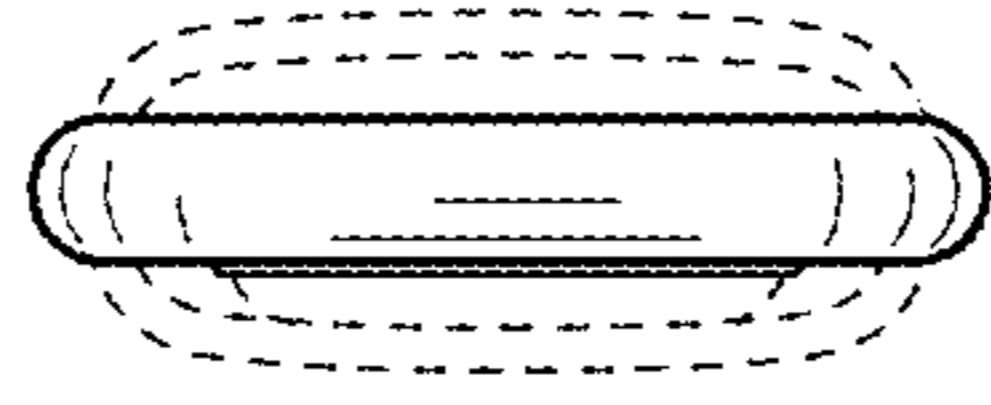


FIG. 3

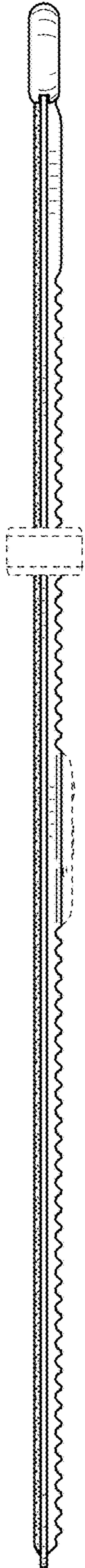


FIG. 4

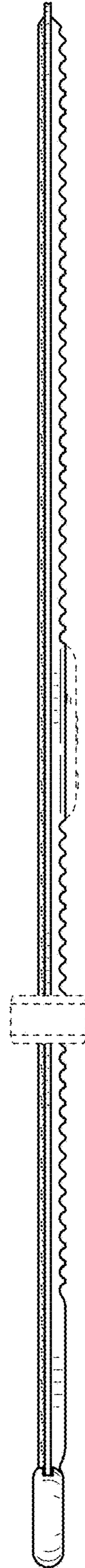


FIG. 5

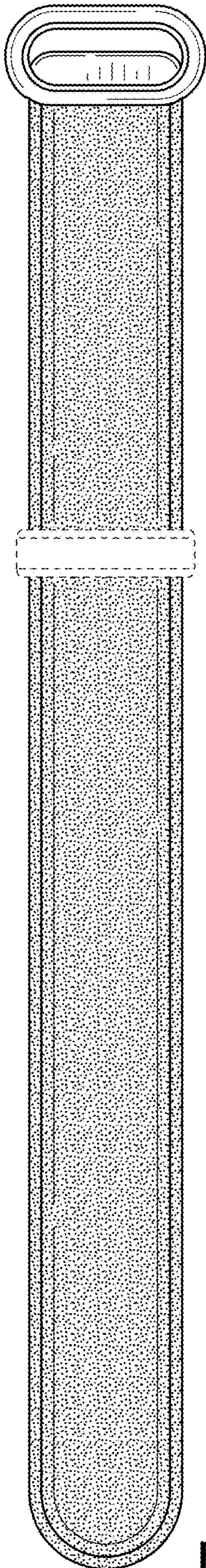


FIG. 6

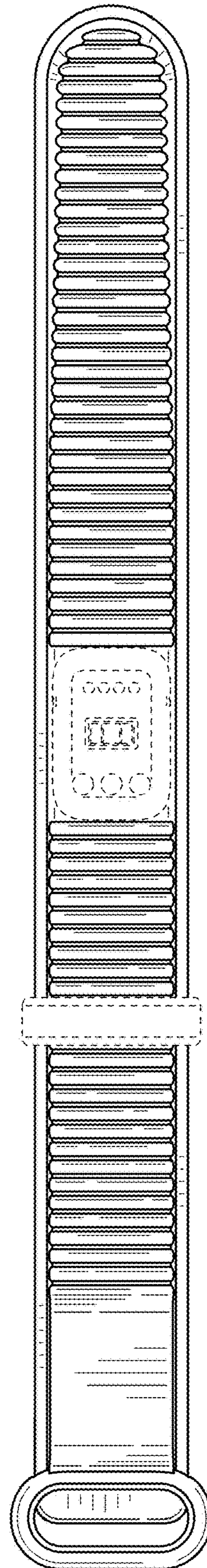


FIG. 7

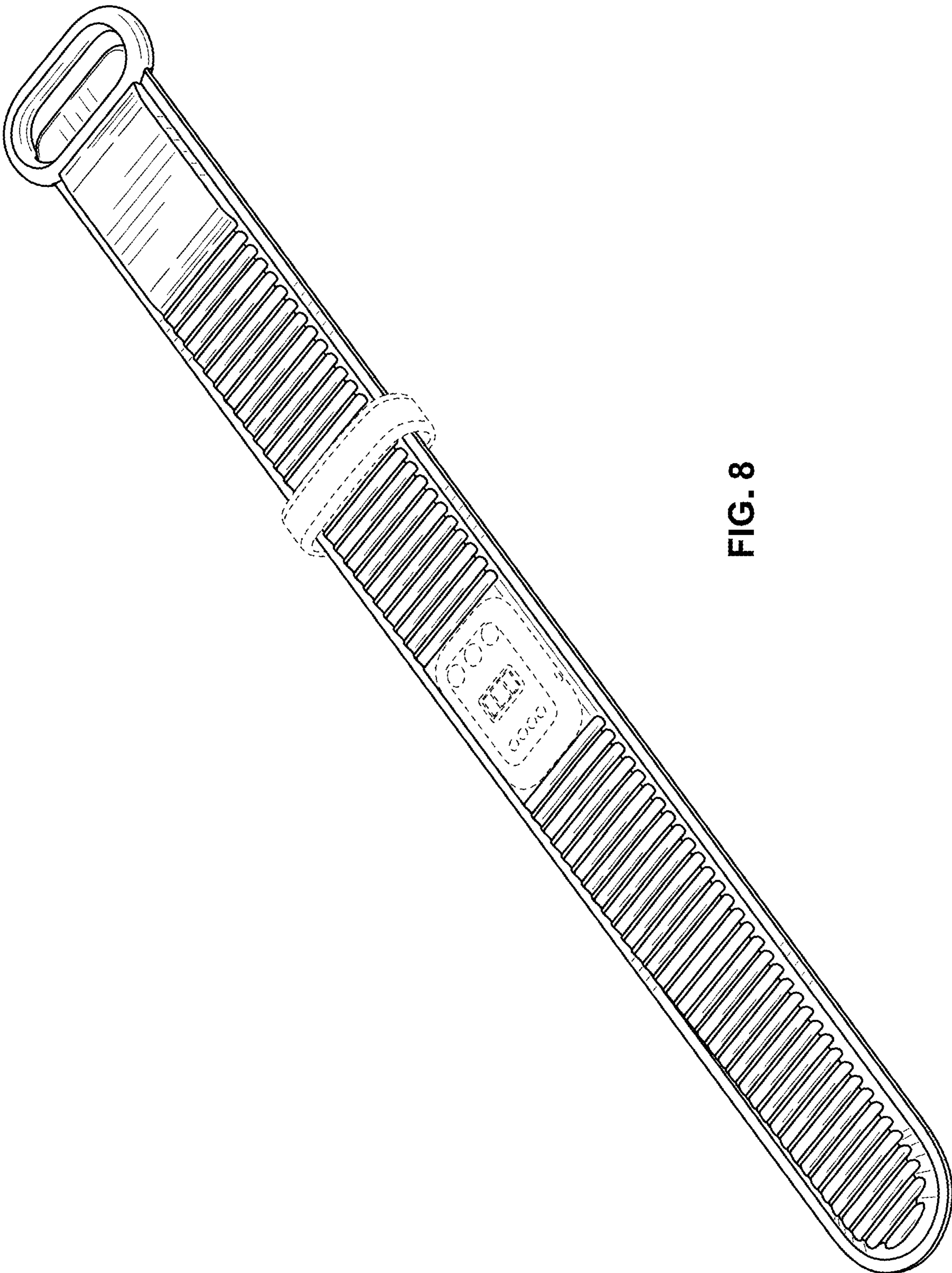


FIG. 8

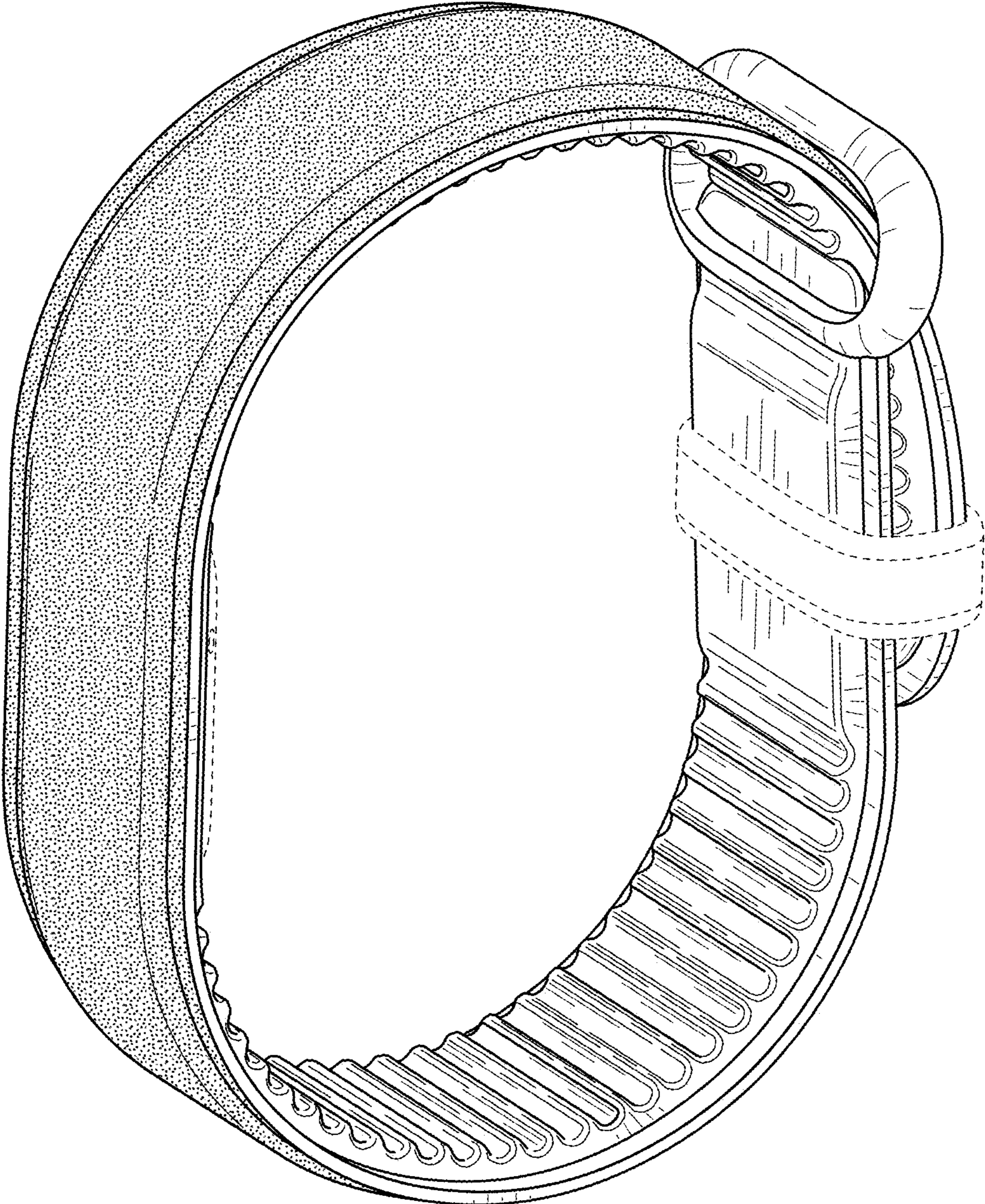


FIG. 9

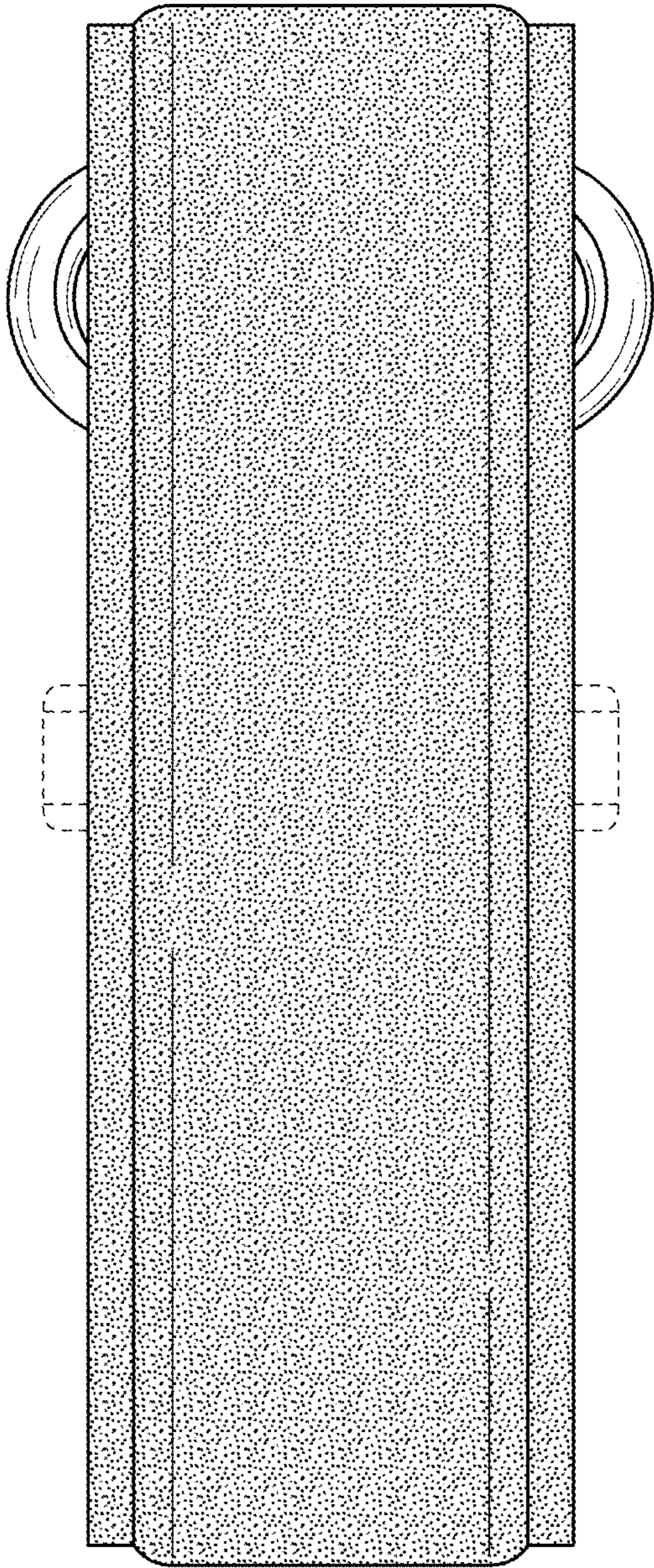


FIG. 10

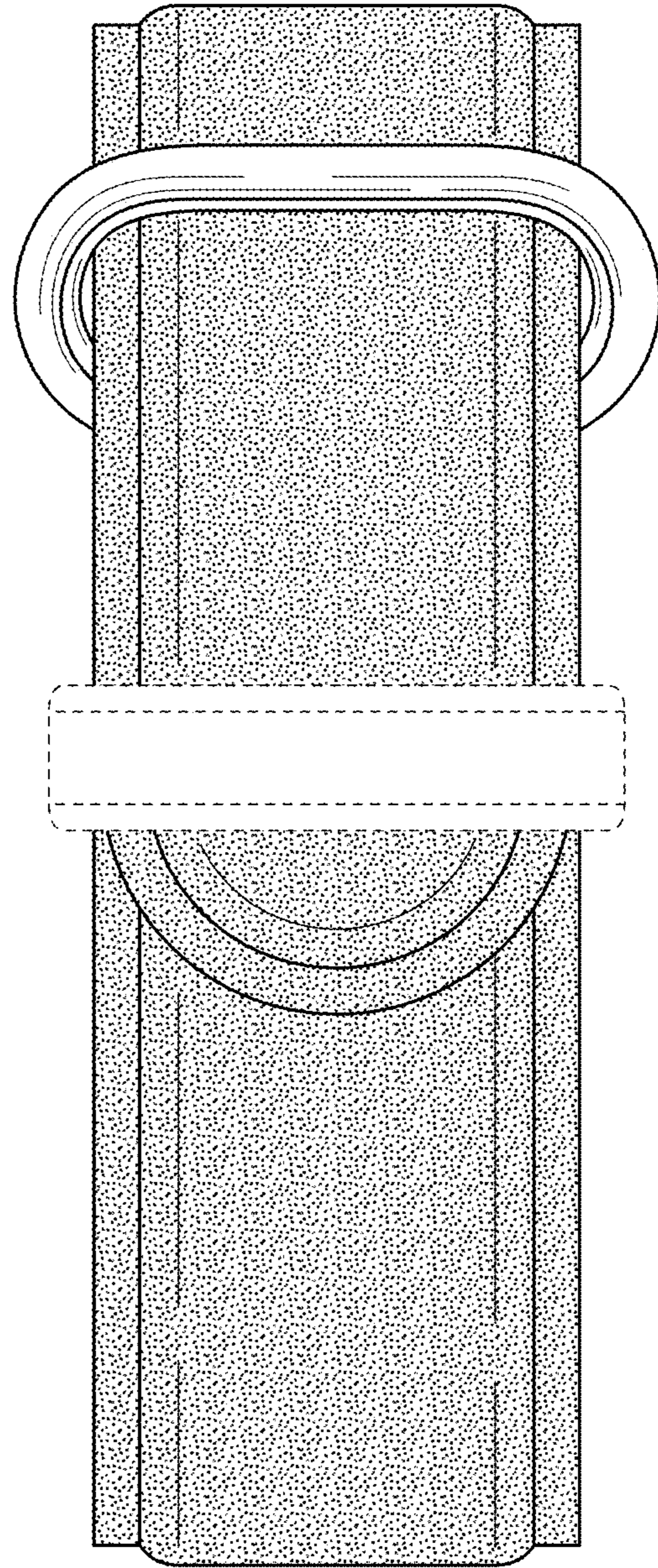


FIG. 11

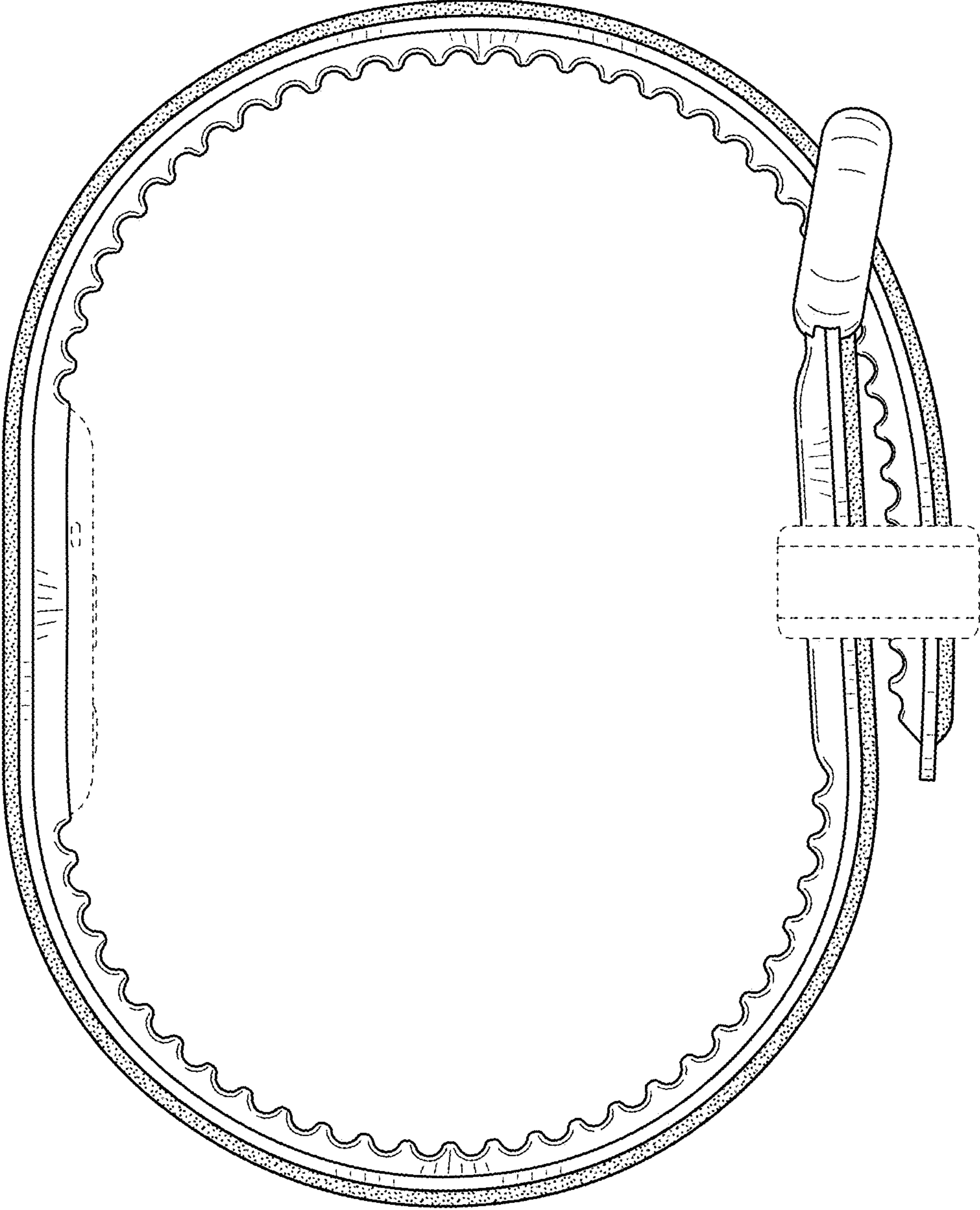


FIG. 12

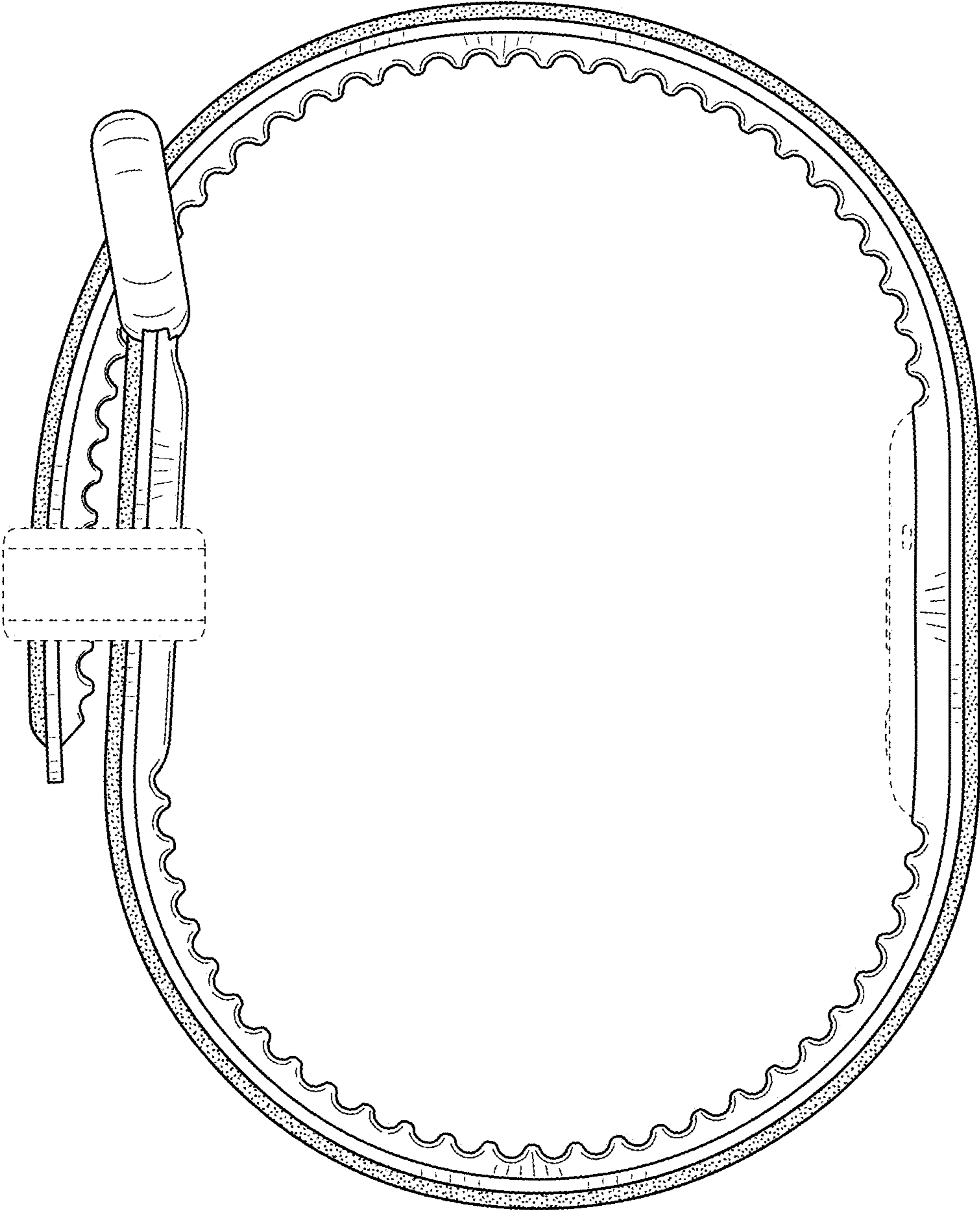


FIG. 13

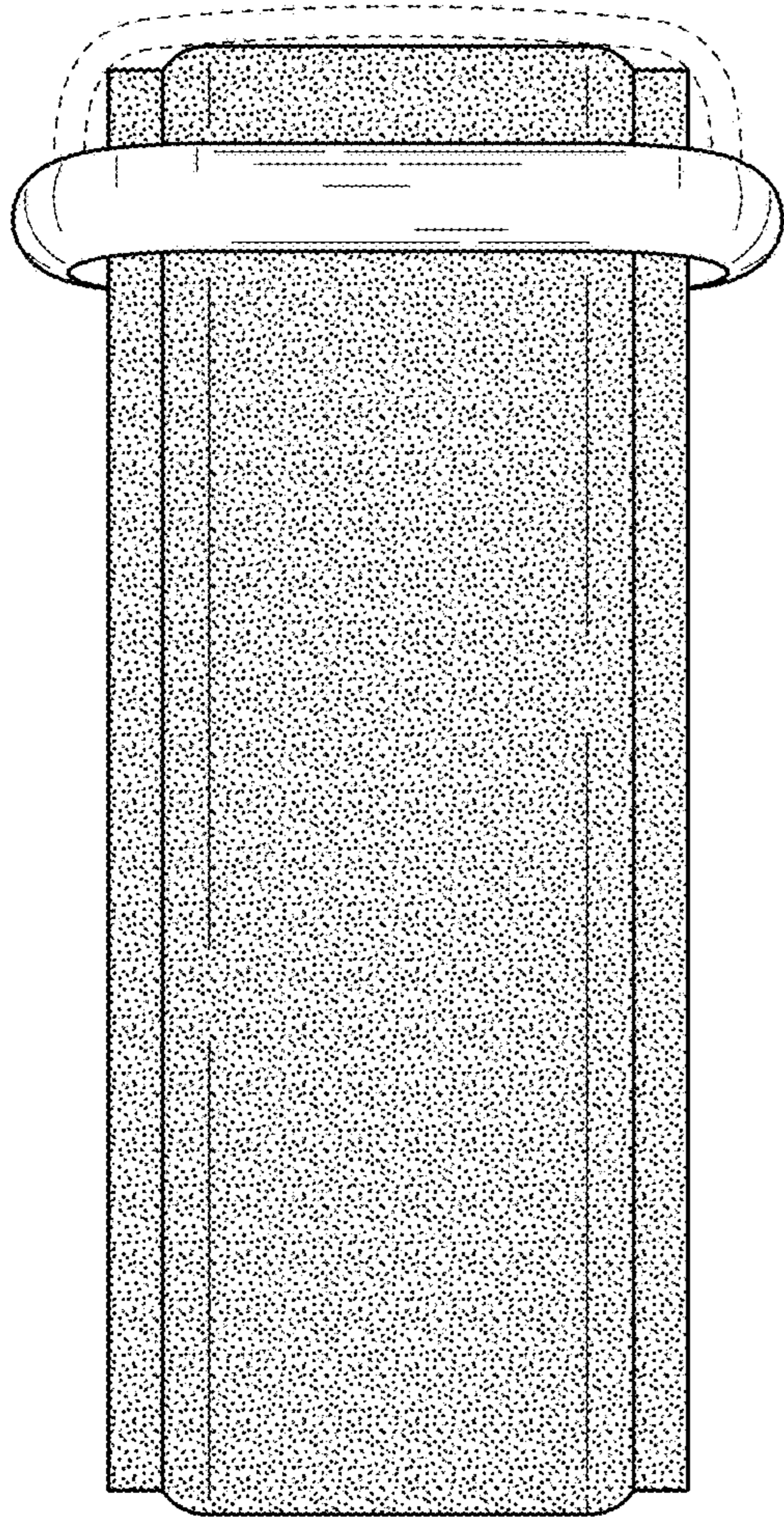


FIG. 14

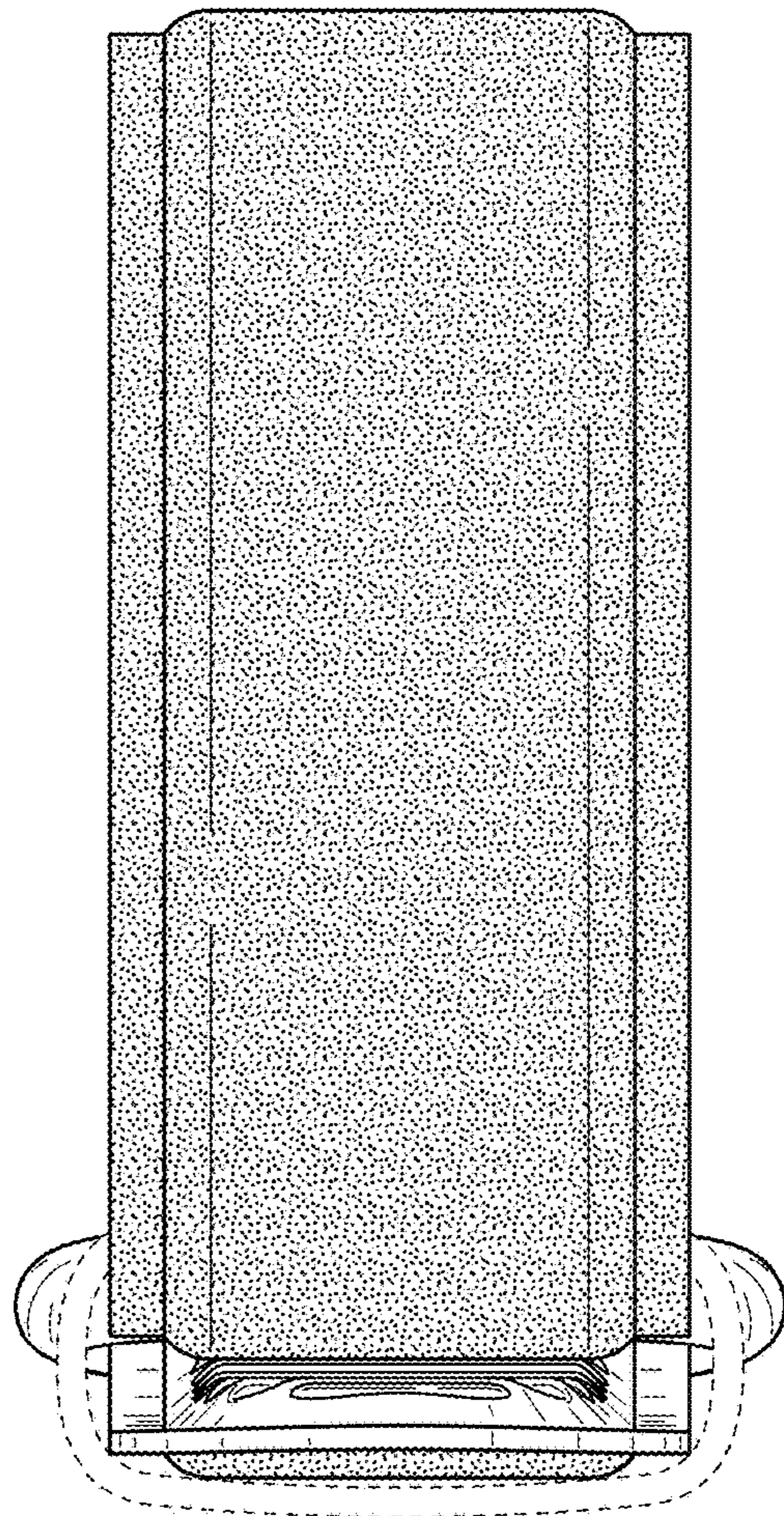


FIG. 15

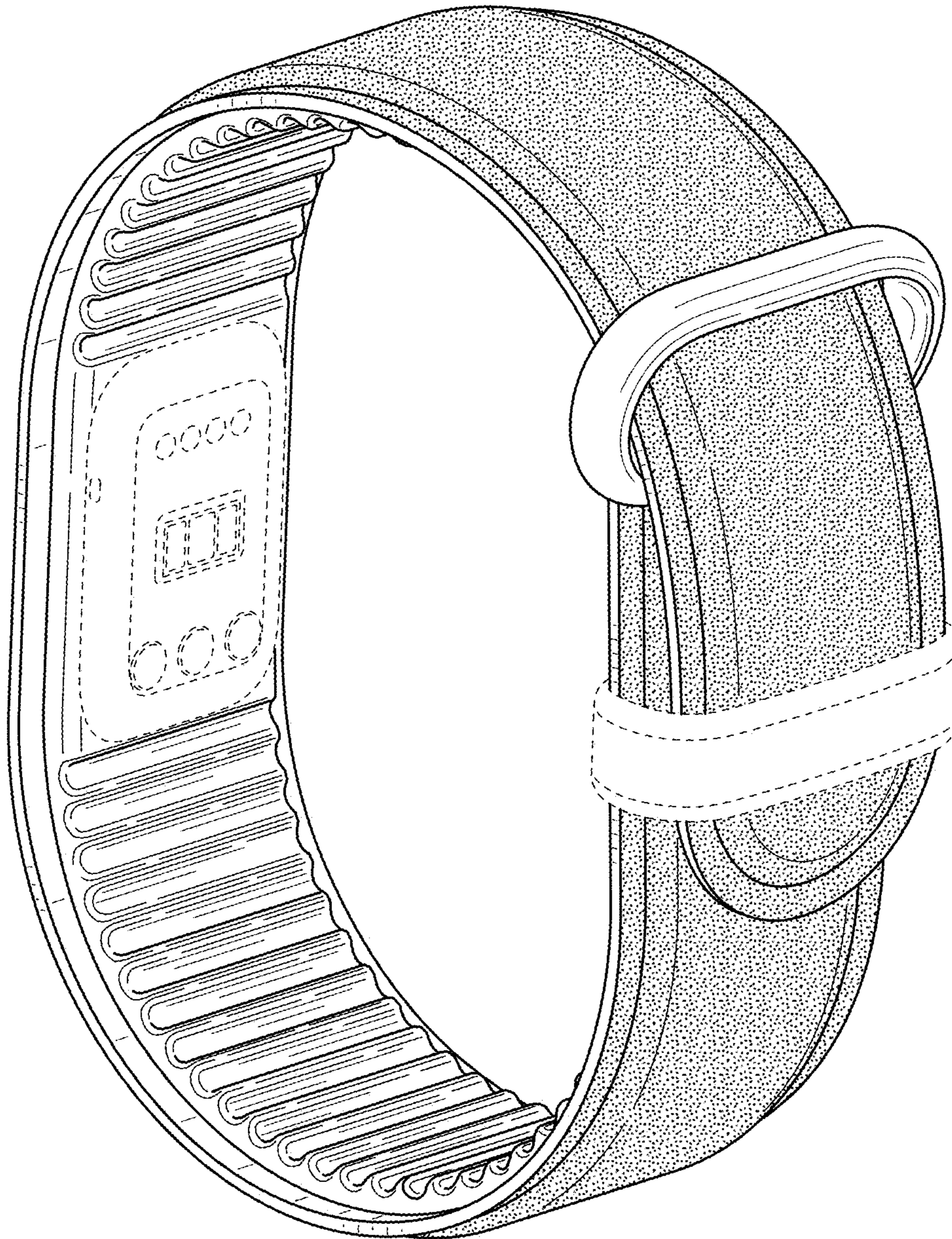


FIG. 16