



US00D928644S

(12) **United States Design Patent**  
**Krywyj et al.**

(10) **Patent No.:** **US D928,644 S**

(45) **Date of Patent:** **\*\* Aug. 24, 2021**

(54) **DETECTION DEVICE FOR A FLUID CONDUIT OR FLUID DISPENSING DEVICE**

(71) Applicant: **Orbis Intelligent Systems, Inc.**, San Diego, CA (US)

(72) Inventors: **Daniel Milne Krywyj**, La Jolla, CA (US); **Jeffrey A. Prsha**, San Diego, CA (US)

(73) Assignee: **Orbis Intelligent Systems, Inc.**, San Diego, CA (US)

(\*\*) Term: **15 Years**

(21) Appl. No.: **29/696,176**

(22) Filed: **Jun. 25, 2019**

(51) **LOC (13) Cl.** ..... **10-04**

(52) **U.S. Cl.**  
USPC ..... **D10/101**

(58) **Field of Classification Search**  
USPC ..... D10/101, 102  
CPC ..... G08B 21/02; G08B 21/18; G08B 21/182; G08B 21/20; G08B 3/00; G08B 19/00; G08B 19/02; G01D 7/00; G01D 11/24; G01D 11/245; G01F 1/00; G01F 17/00; G01N 33/0031; G01N 33/0032; G01N 29/04; G01M 3/16; G01M 3/38; G01M 3/00; G01M 3/24; G01M 3/243; G01M 3/005; G01M 3/246; E03B 7/071; E03B 9/06; E03B 7/003; E03B 9/02; H01Q 1/225;

(Continued)

(56) **References Cited**

**U.S. PATENT DOCUMENTS**

9,291,520 B2 3/2016 Fleury, Jr. et al.  
9,528,903 B2 12/2016 Zusman

(Continued)

*Primary Examiner* — Antoine Duval Davis  
(74) *Attorney, Agent, or Firm* — Weaver Austin Villeneuve & Sampson LLP

(57) **CLAIM**

We claim the ornamental design for a detection device for a fluid conduit or fluid dispensing device, as shown and described.

**DESCRIPTION**

FIG. 1 depicts an isometric view of a detection device for a fluid conduit or fluid dispensing device (hereinafter referred to as a “detection device”).

FIG. 2 depicts a front view of the detection device of FIG. 1.

FIG. 3 depicts a side view of the detection device of FIG. 1. FIG. 4 depicts the other side view of the detection device of FIG. 1.

FIG. 5 depicts a back view of the detection device of FIG. 1.

FIG. 6 depicts a top view of the detection device of FIG. 1. FIG. 7 depicts a bottom view of the detection device of FIG. 1; and,

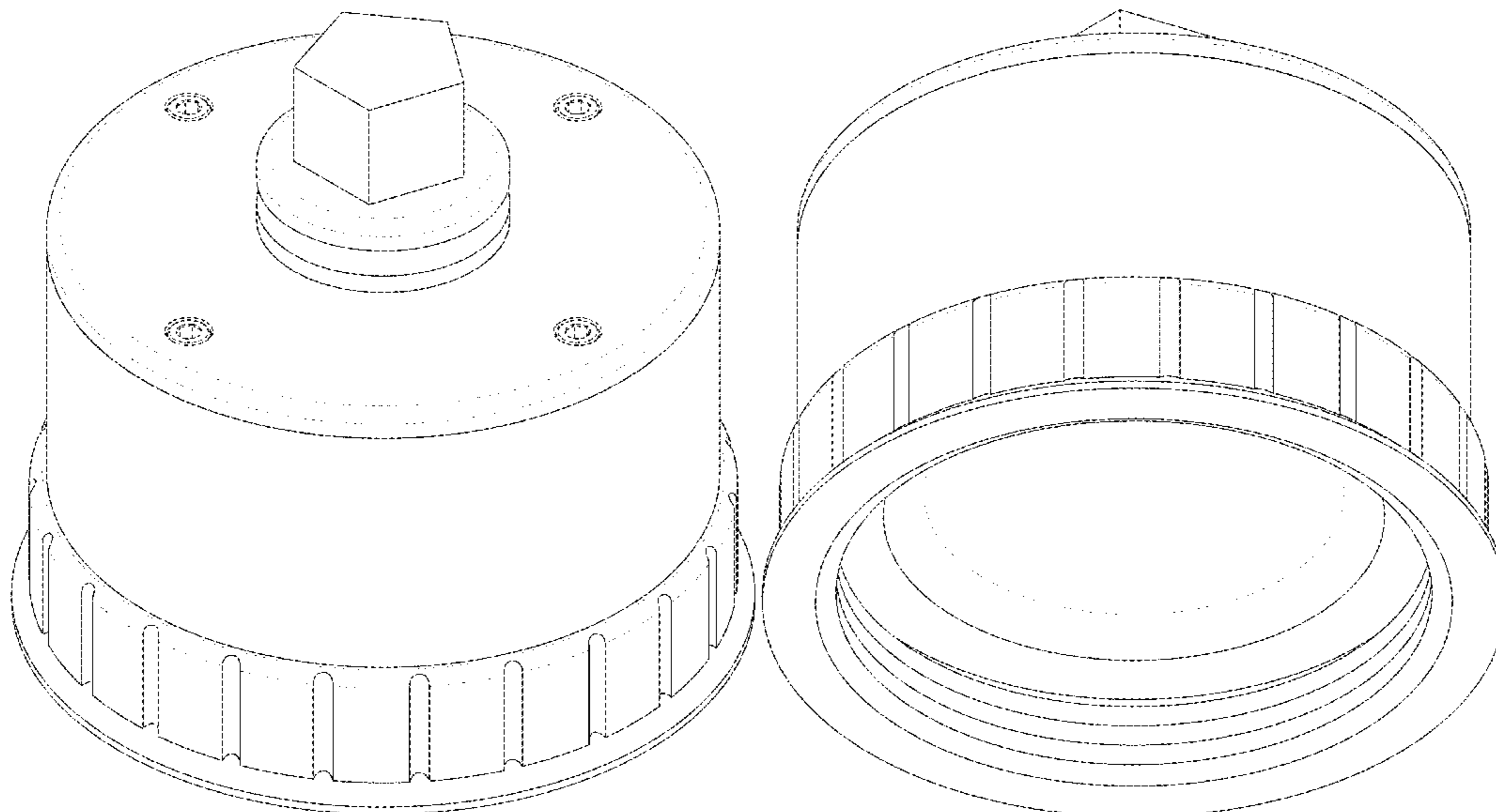
FIG. 8 depicts an off-angle view of the detection device of FIG. 1.

The detection device for a fluid conduit or fluid dispensing device in the accompanying figures may be positioned on a fluid conduit, such as a pipe, or positioned on a fluid dispensing device, such as a fire hydrant or valve.

Broken lines are used to depict features or elements that are not considered to be part of the claimed design.

It is to be understood that many of the surface intersections in the depicted embodiments may intersect such that a blended or lightly-rounded edge is formed. As such, there may be no “hard” edge present at such locations. A virtual edge may nonetheless be defined at such locations, as represented by a “tangent line” or “tangent edge” which are depicted as grey, dash-dot-dot lines.

**1 Claim, 8 Drawing Sheets**



(58) **Field of Classification Search**

CPC ..... H01Q 1/2291; H01Q 1/38; H01Q 1/42;  
B26F 1/14; Y02A 20/15; Y10T 83/04;  
F16L 55/28; F16L 2101/30; F17D 5/06;  
G01H 11/08; G01L 1/183; H04R 17/00

See application file for complete search history.

(56) **References Cited**

U.S. PATENT DOCUMENTS

9,593,999	B2	3/2017	Fleury, Jr. et al.	
D790,999	S *	7/2017	Haworth .....	D10/101
D791,629	S *	7/2017	Haworth .....	D10/101
D792,259	S *	7/2017	Haworth .....	D10/101
D795,727	S *	8/2017	Haworth .....	D10/101
9,772,250	B2	9/2017	Richarz et al.	
D811,254	S *	2/2018	Lee .....	D10/101
10,175,135	B2	1/2019	Dintakurt et al.	
10,283,857	B2	5/2019	Ortiz et al.	
10,305,178	B2	5/2019	Gibson et al.	
2016/0018283	A1	1/2016	Fleury et al.	
2018/0224349	A1	8/2018	Fleury, Jr. et al.	
2019/0214717	A1	7/2019	Gibson et al.	
2019/0214718	A1	7/2019	Ortiz et al.	

\* cited by examiner

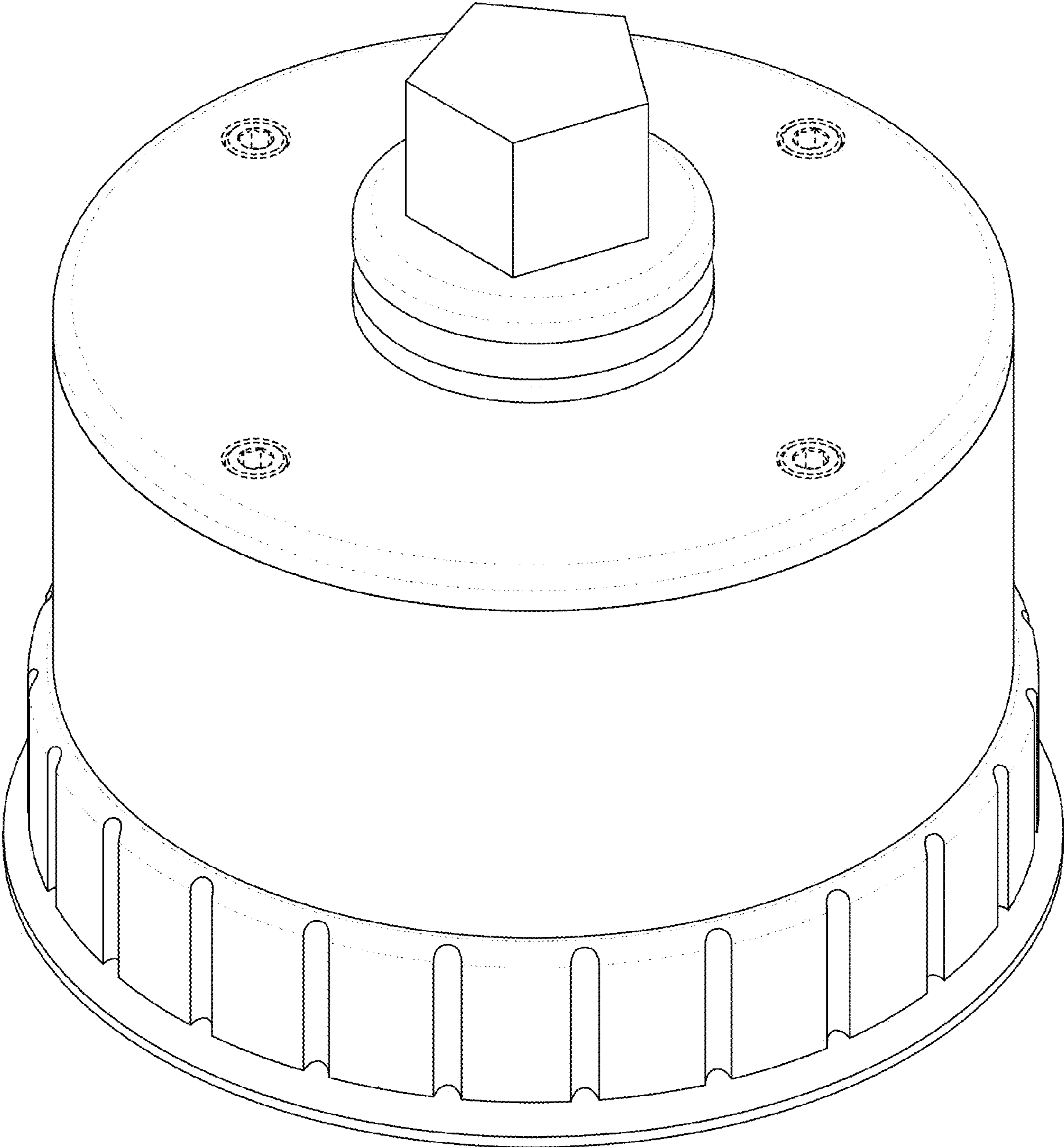


FIG. 1

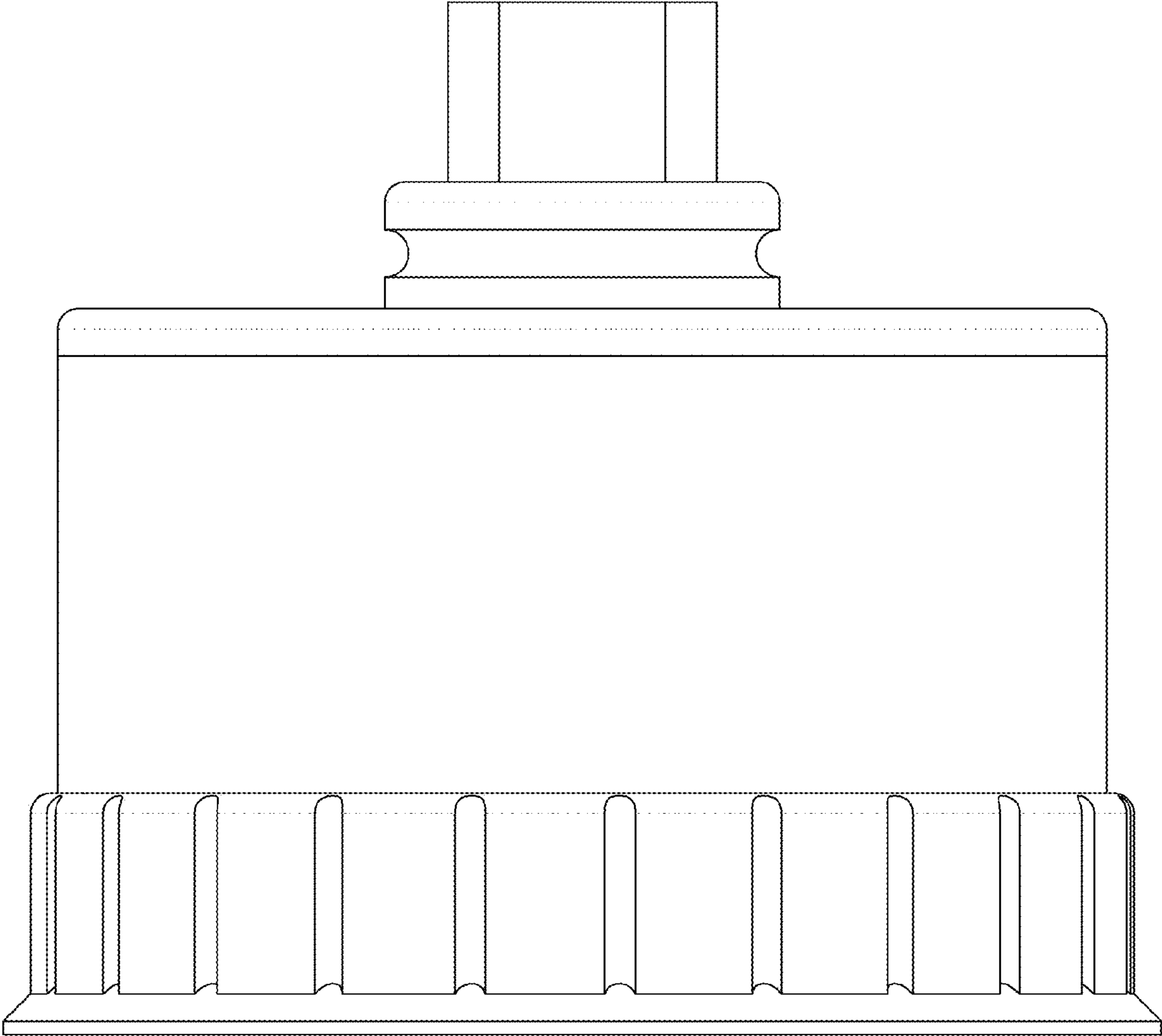


FIG. 2

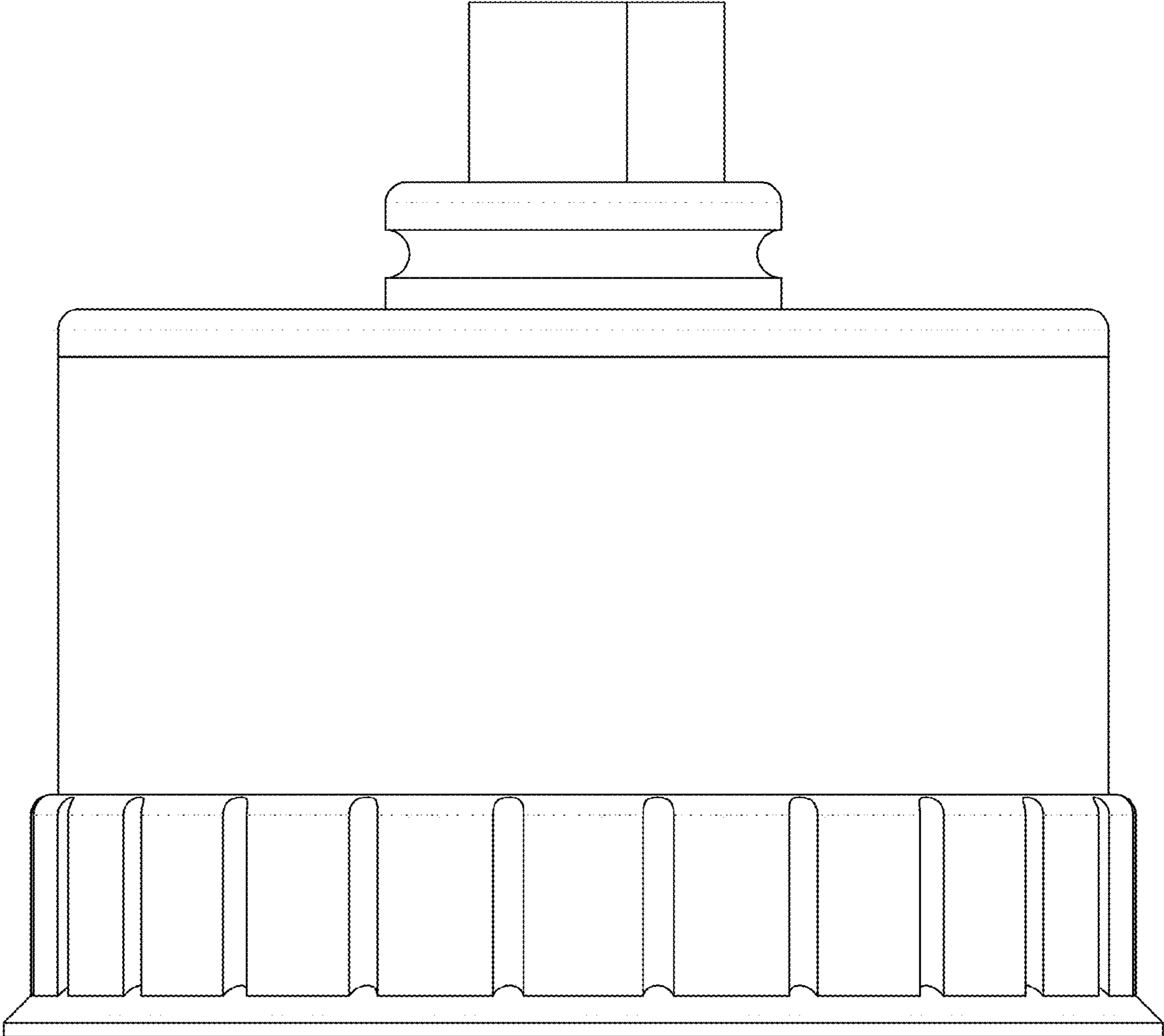


FIG. 3

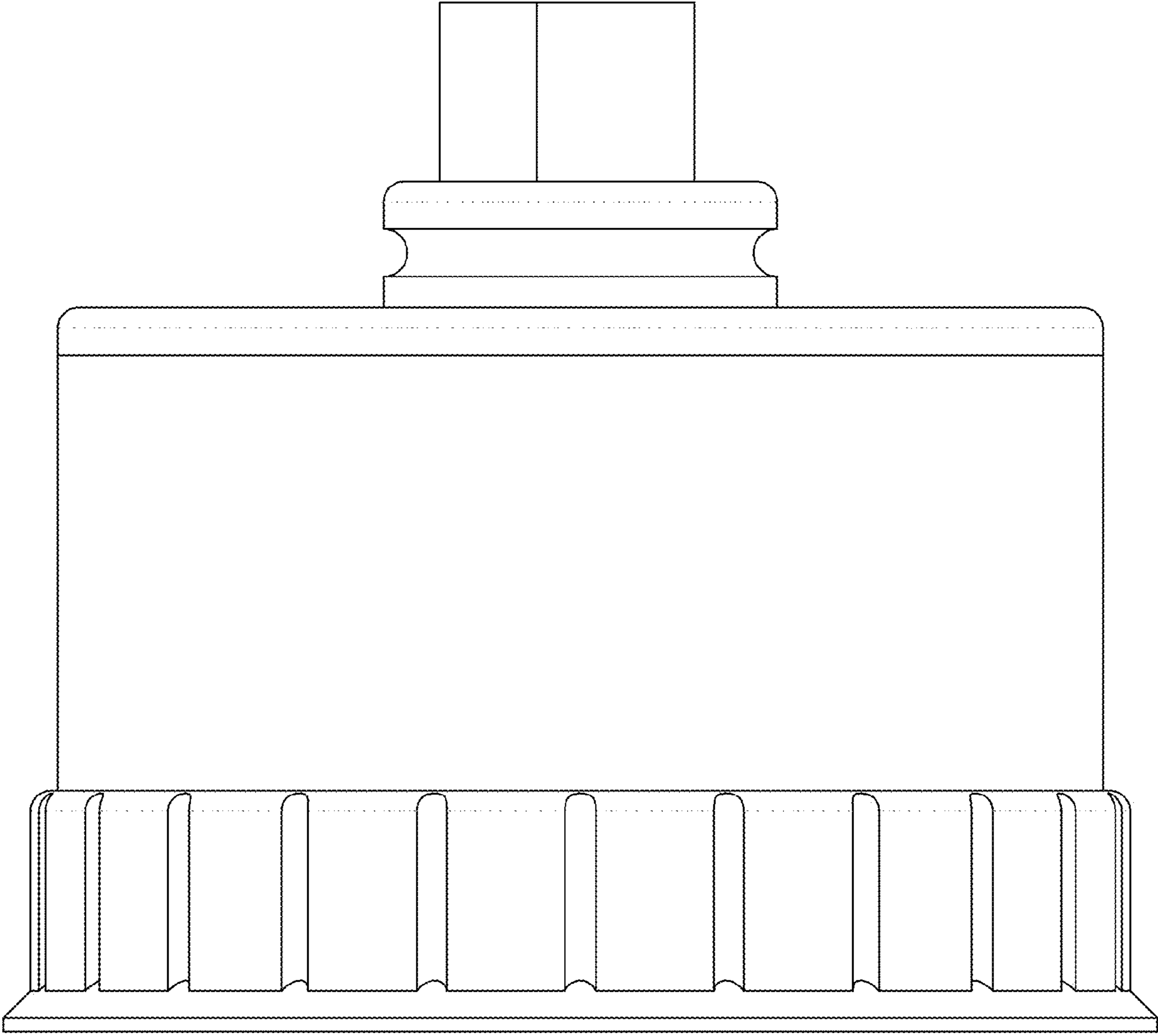


FIG. 4

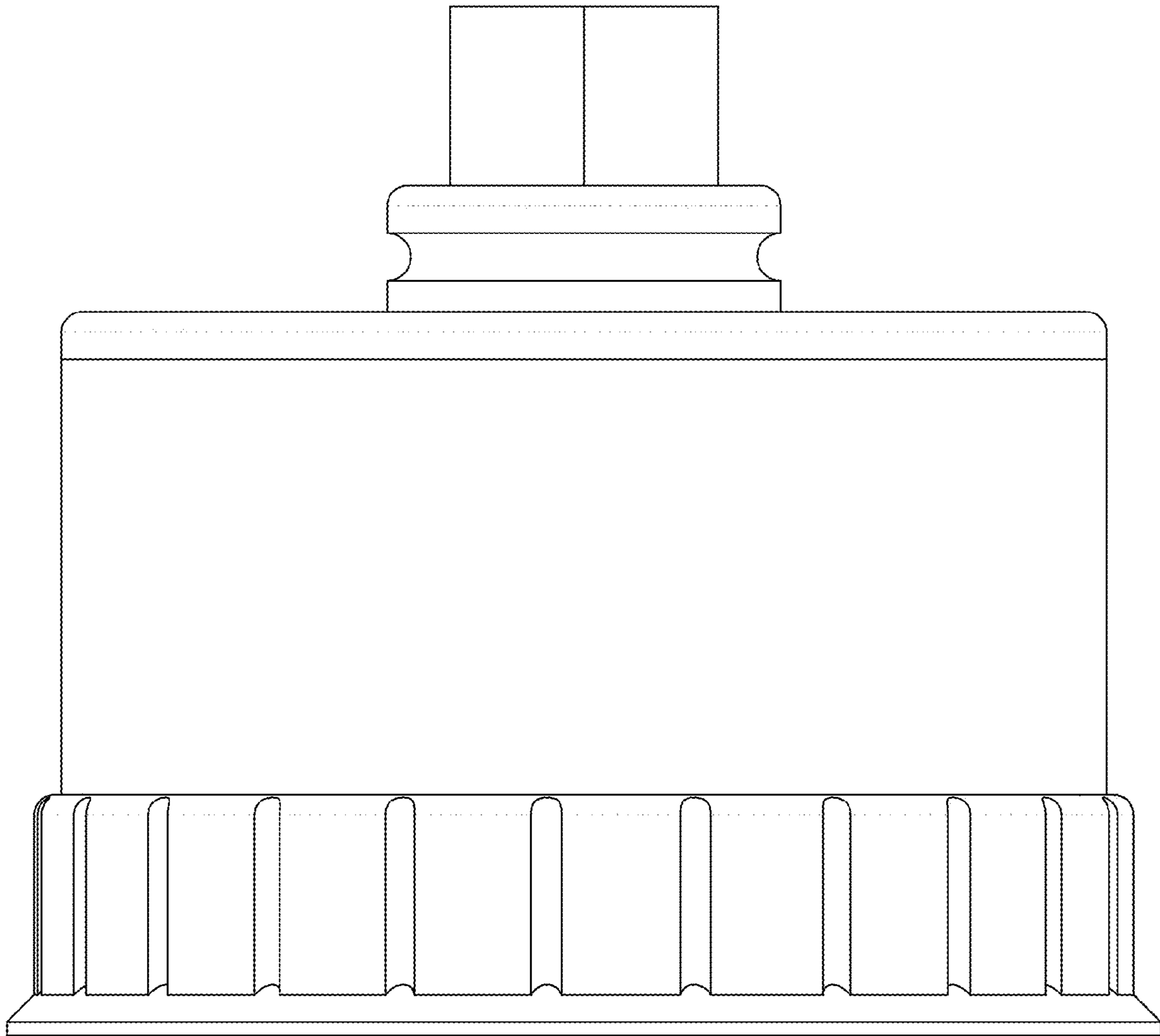


FIG. 5

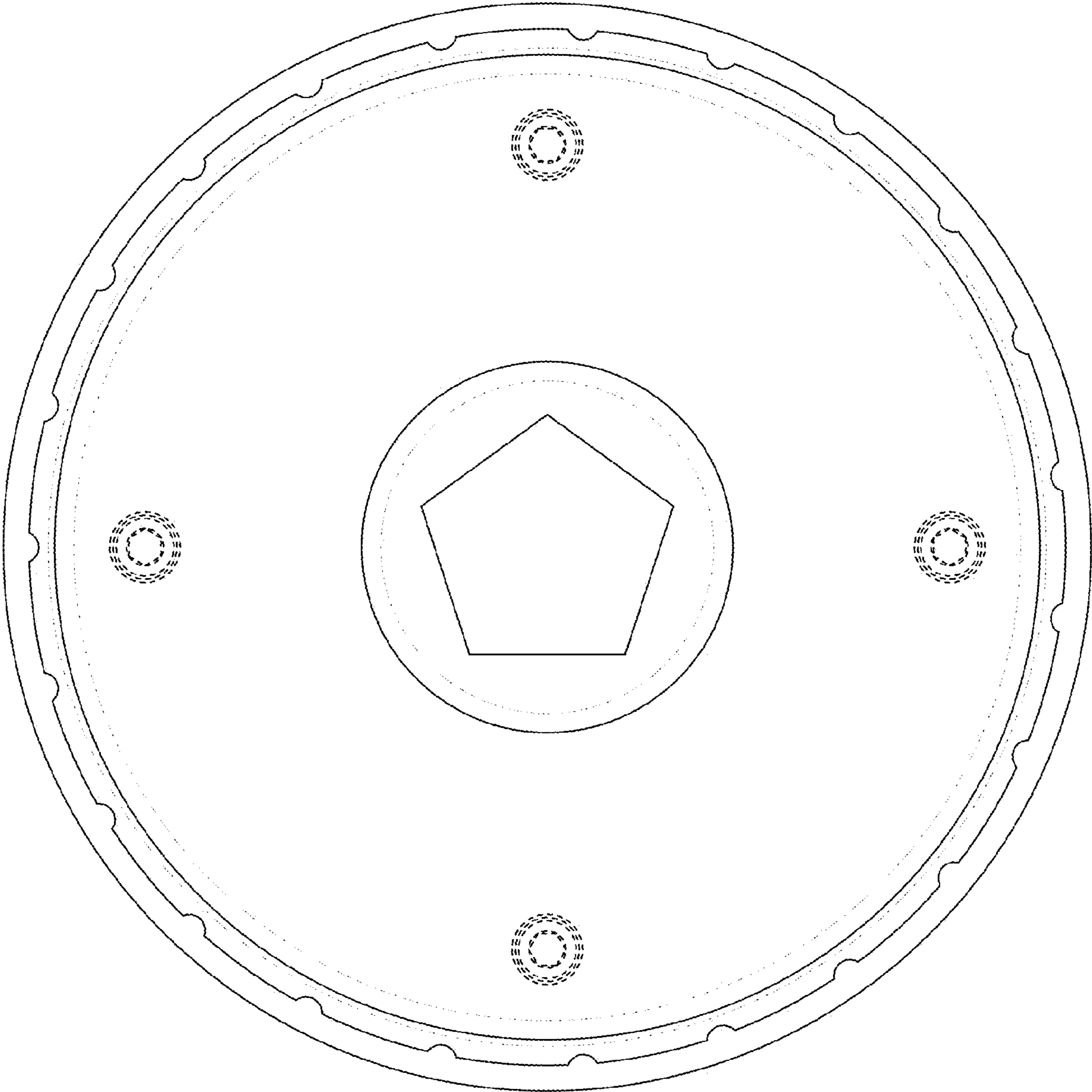


FIG. 6



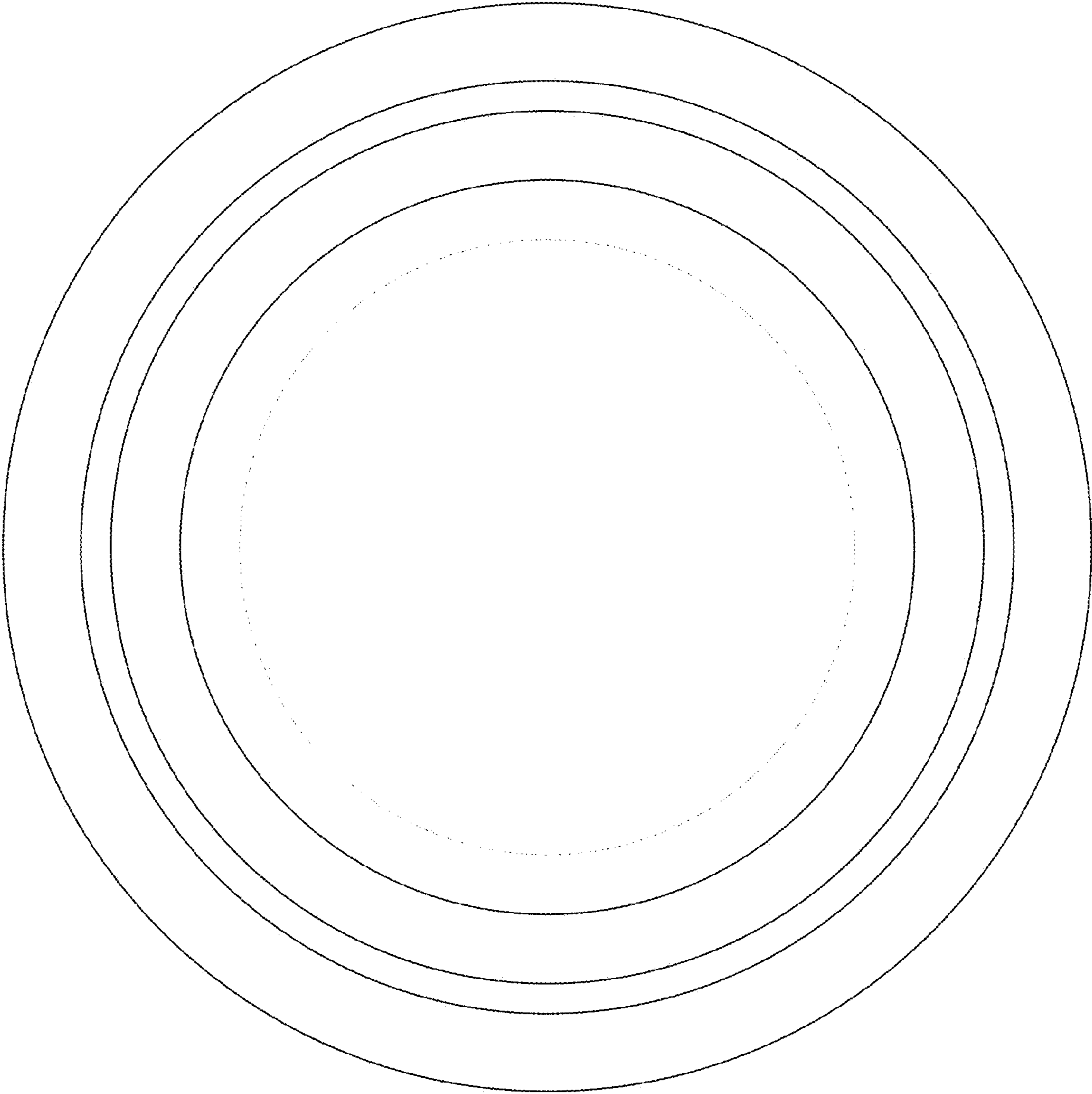


FIG. 7

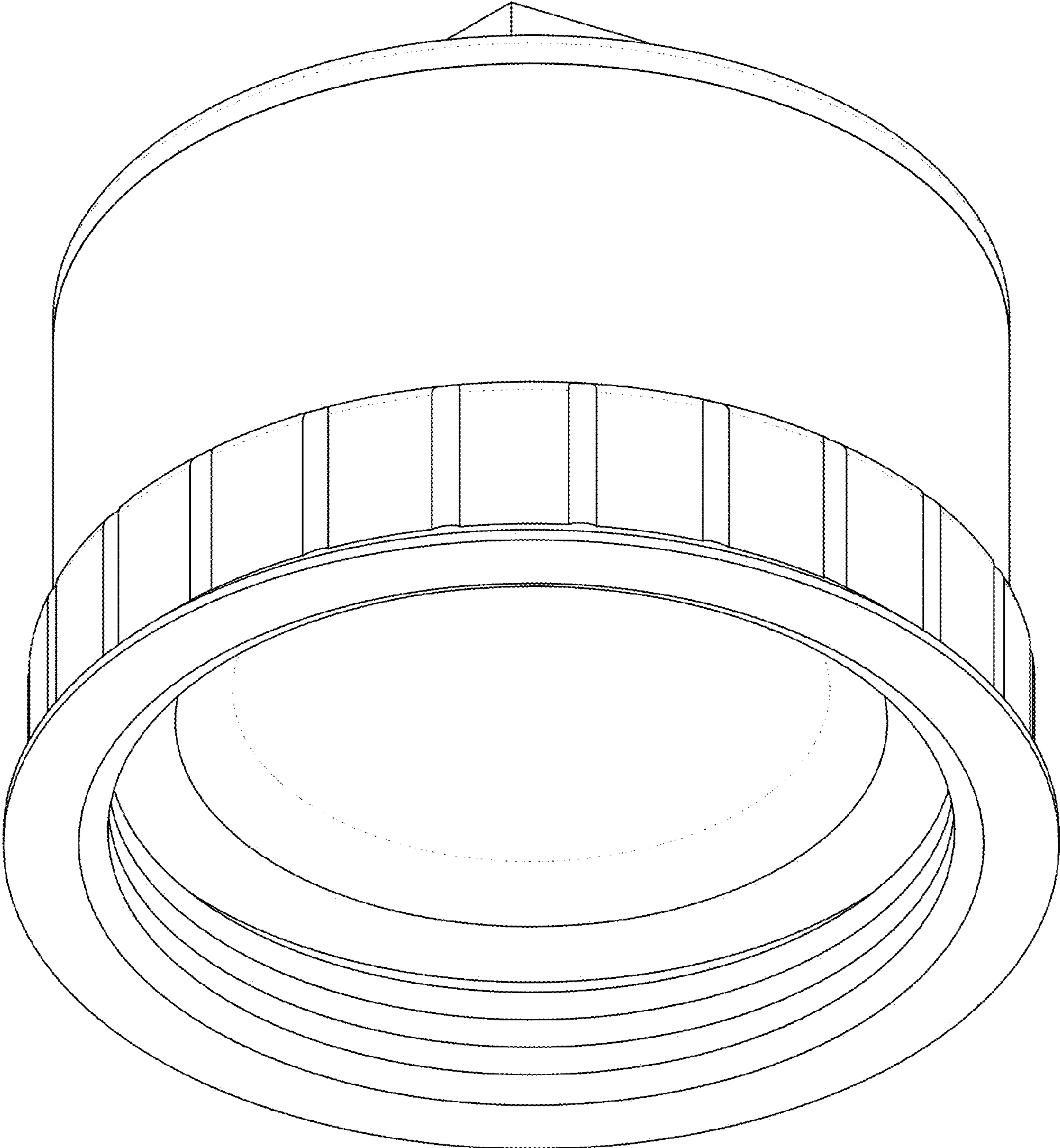


FIG. 8