



US00D928643S

(12) **United States Design Patent**
Zhu

(10) **Patent No.:** **US D928,643 S**

(45) **Date of Patent:** **** Aug. 24, 2021**

(54) **SCALE**

(71) Applicant: **Ningbo SKL International Co., Ltd.,**
Ningbo (CN)

(72) Inventor: **Lingfeng Zhu,** Ningbo (CN)

(73) Assignee: **NingBo SKL International CO., LTD,**
NingBo (CN)

(**) Term: **15 Years**

(21) Appl. No.: **29/700,752**

(22) Filed: **Aug. 5, 2019**

(30) **Foreign Application Priority Data**

Jun. 10, 2019 (CN) 201930294669.X

(51) **LOC (13) Cl.** **10-04**

(52) **U.S. Cl.**

USPC **D10/89**

(58) **Field of Classification Search**

USPC D10/89

CPC G01G 19/414; G01G 19/58; G01G 19/14;

G01G 19/16; G01G 19/18; G01G 19/20

See application file for complete search history.

(56) **References Cited**

U.S. PATENT DOCUMENTS

D653,135 S * 1/2012 Sheikh D10/89

8,884,170 B2 * 11/2014 Sheikh G01G 21/28

177/148

D798,174 S * 9/2017 Tian D10/89

D799,351 S * 10/2017 Li G01G 19/58

D10/89

2011/0186356 A1 * 8/2011 Sheikh G01G 21/283

177/25.13

2011/0186357 A1 * 8/2011 Sheikh G01G 19/58

177/148

2013/0043080 A1 * 2/2013 Kritzler A45C 13/28

177/132

* cited by examiner

Primary Examiner — Antoine D Davis

(74) *Attorney, Agent, or Firm* — iPA & iPM

(57) **CLAIM**

The ornamental design for a scale, as shown and described.

DESCRIPTION

FIG. 1 is a front perspective view from above of a scale showing my new design;

FIG. 2 is a top view thereof;

FIG. 3 is a left side view thereof;

FIG. 4 is a right side view thereof;

FIG. 5 is a back view thereof;

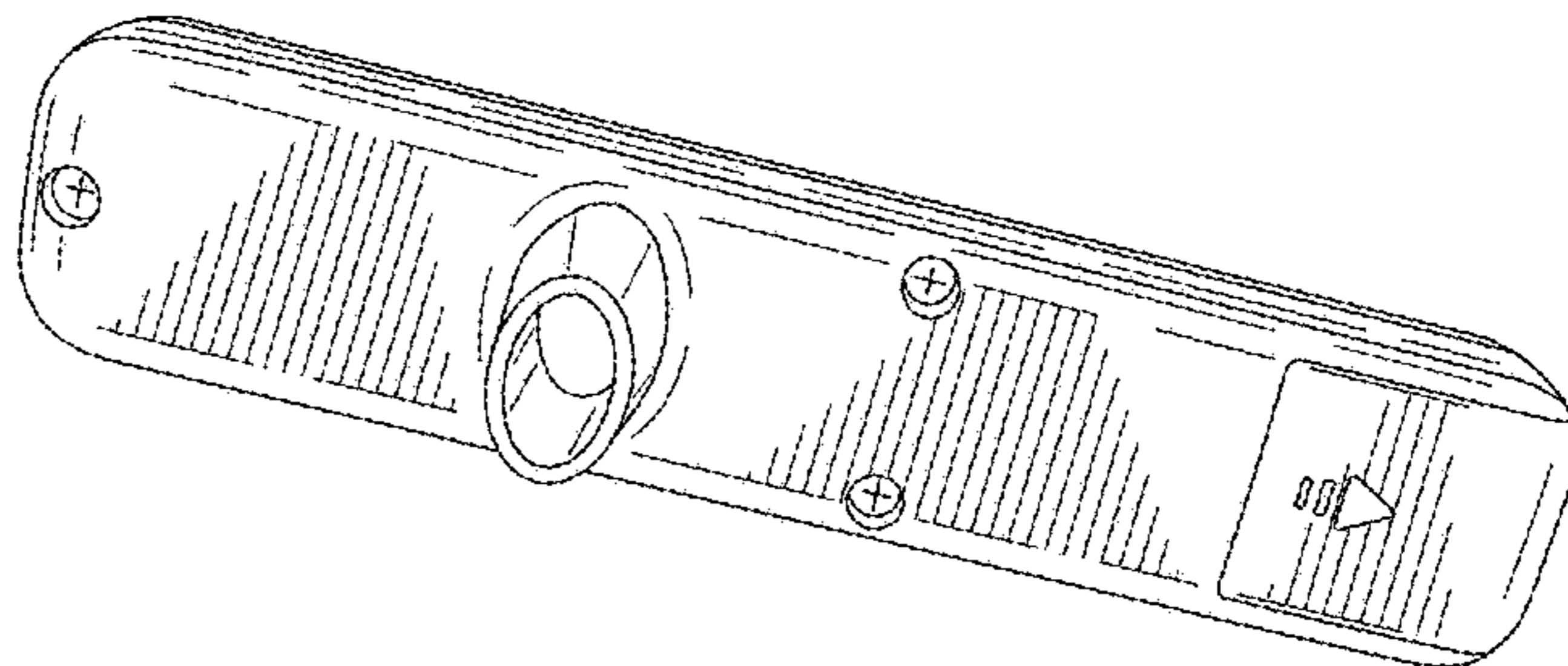
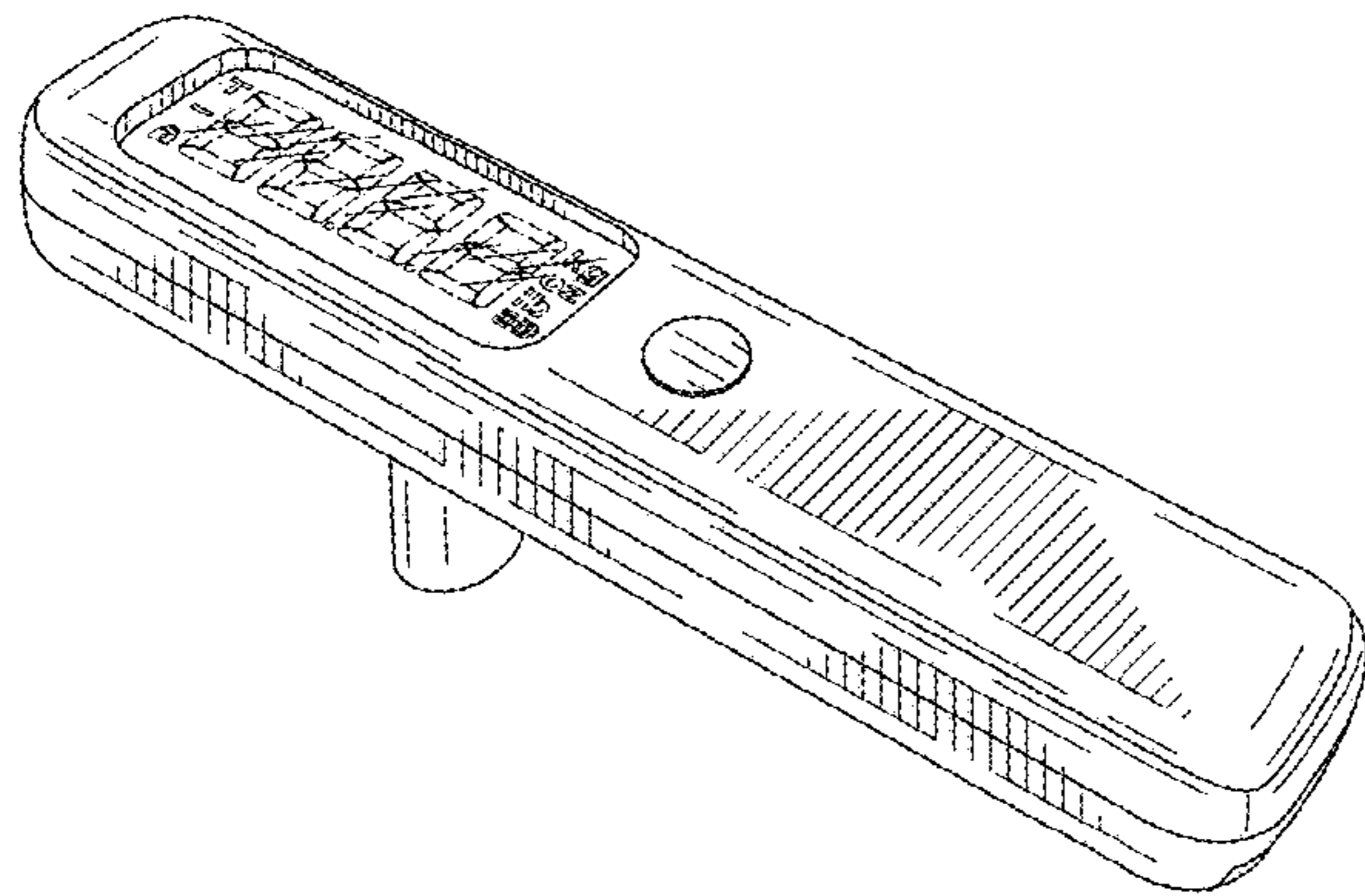
FIG. 6 is a front view thereof;

FIG. 7 is a bottom view thereof; and,

FIG. 8 is a perspective view from below of the scale.

Broken lines in FIGS. 1-2 are for illustrative purpose only and form no part of the claimed design.

1 Claim, 2 Drawing Sheets



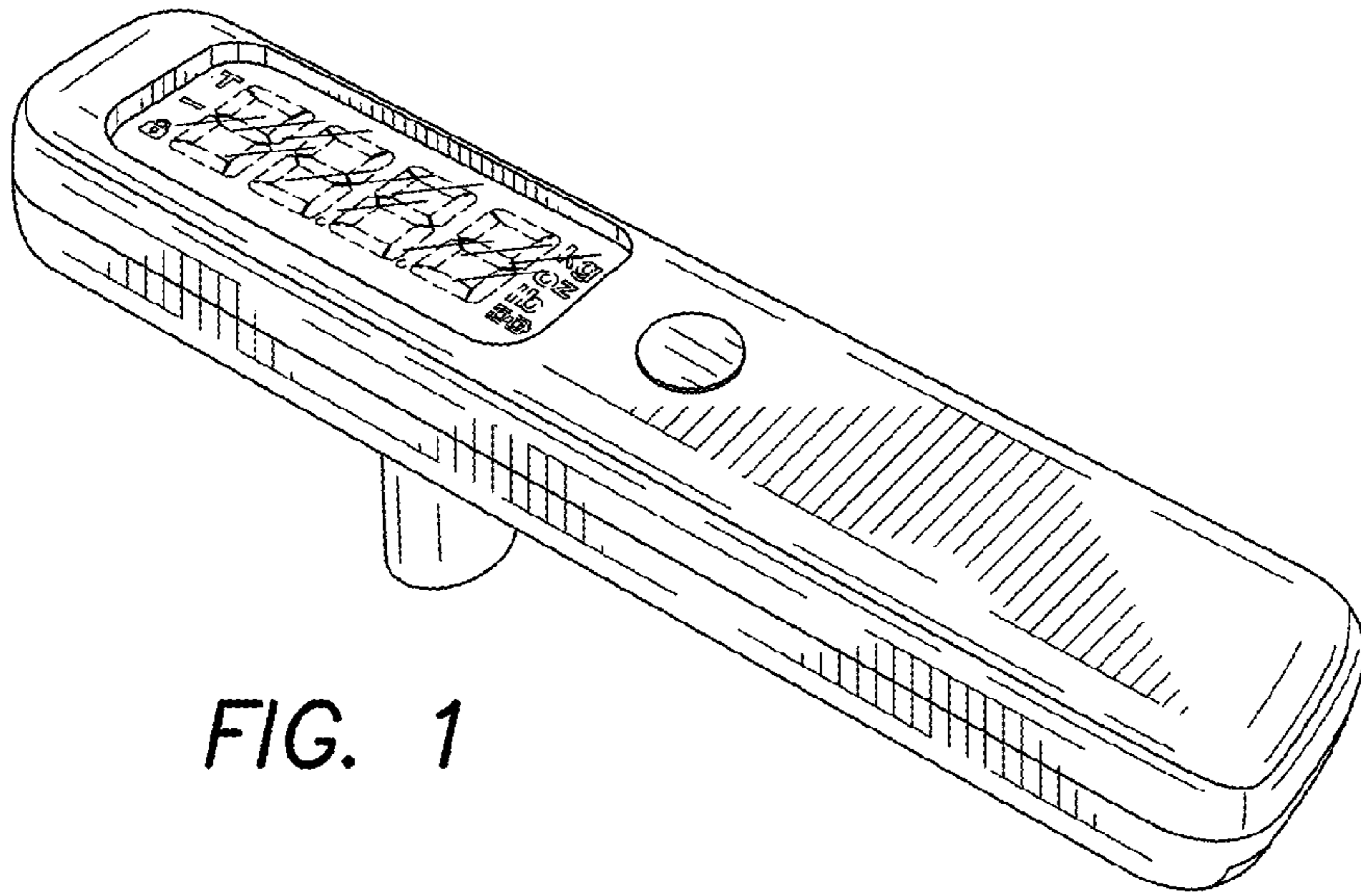


FIG. 1

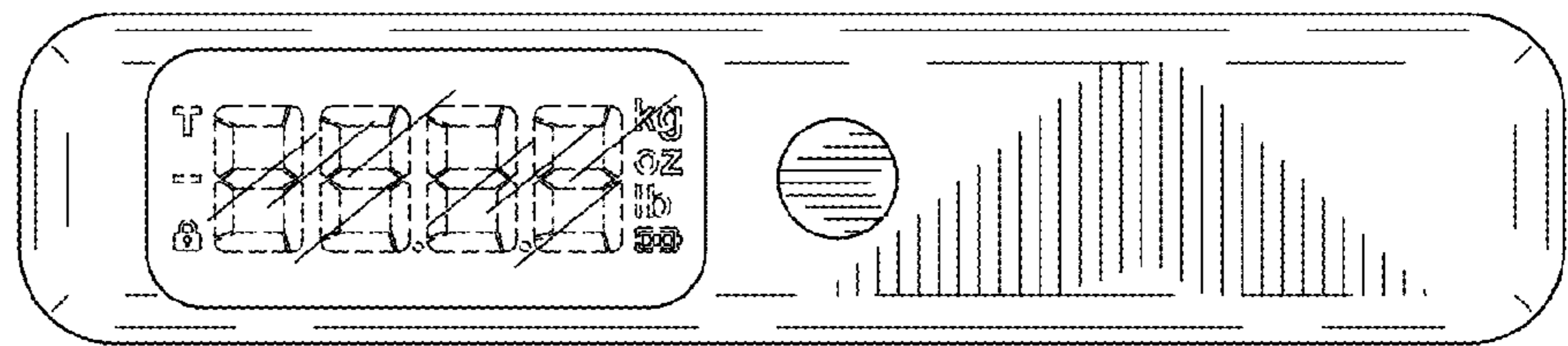


FIG. 2

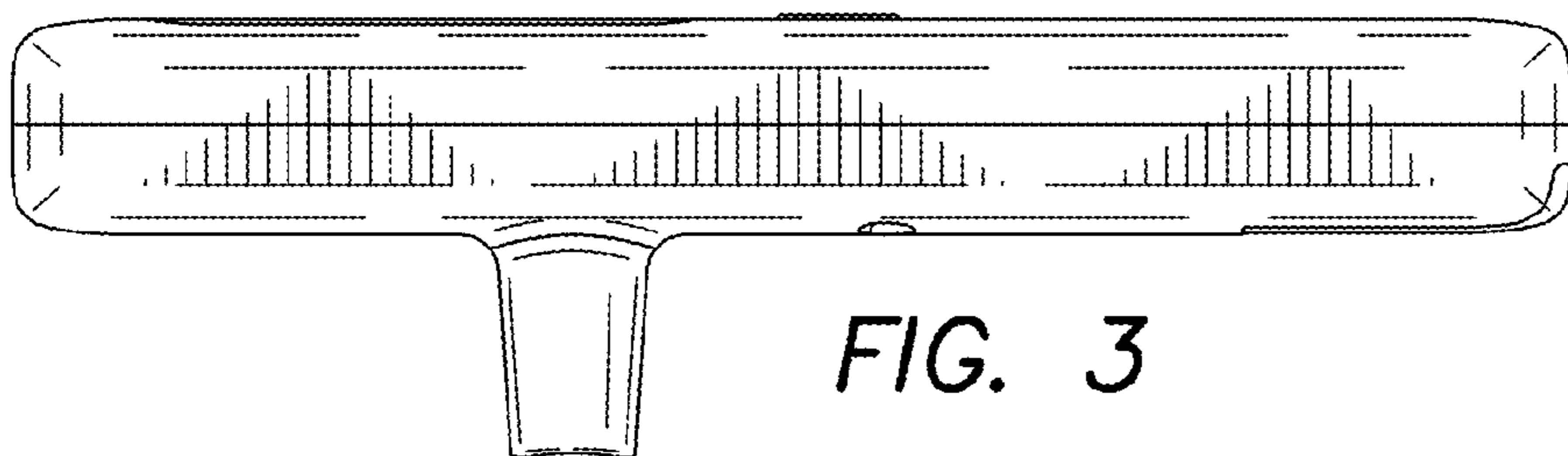


FIG. 3

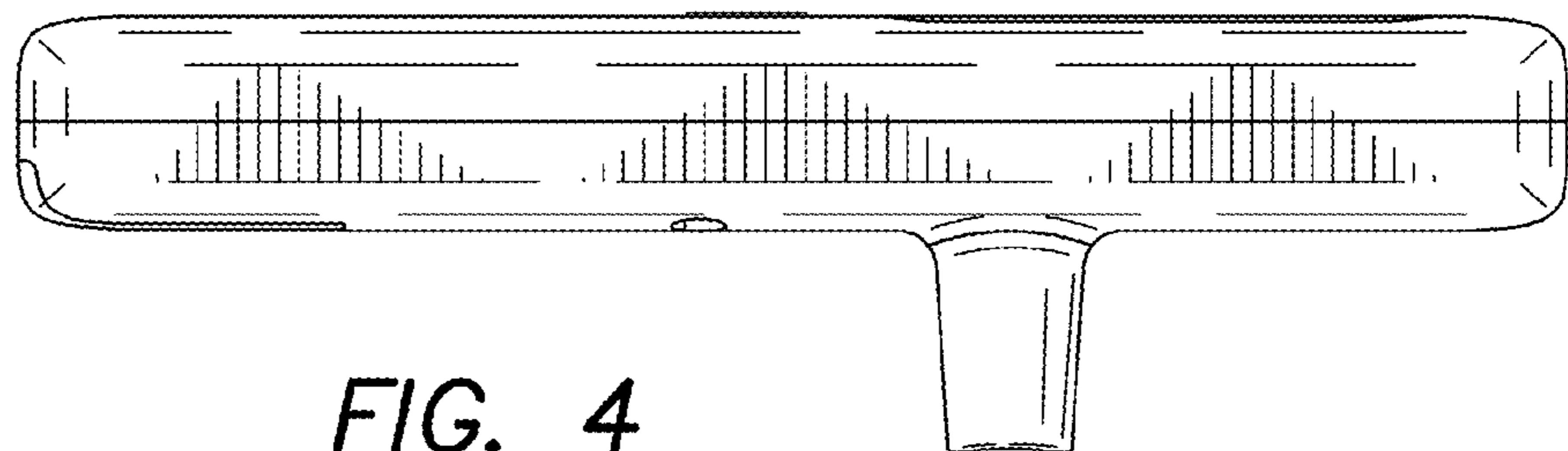


FIG. 4

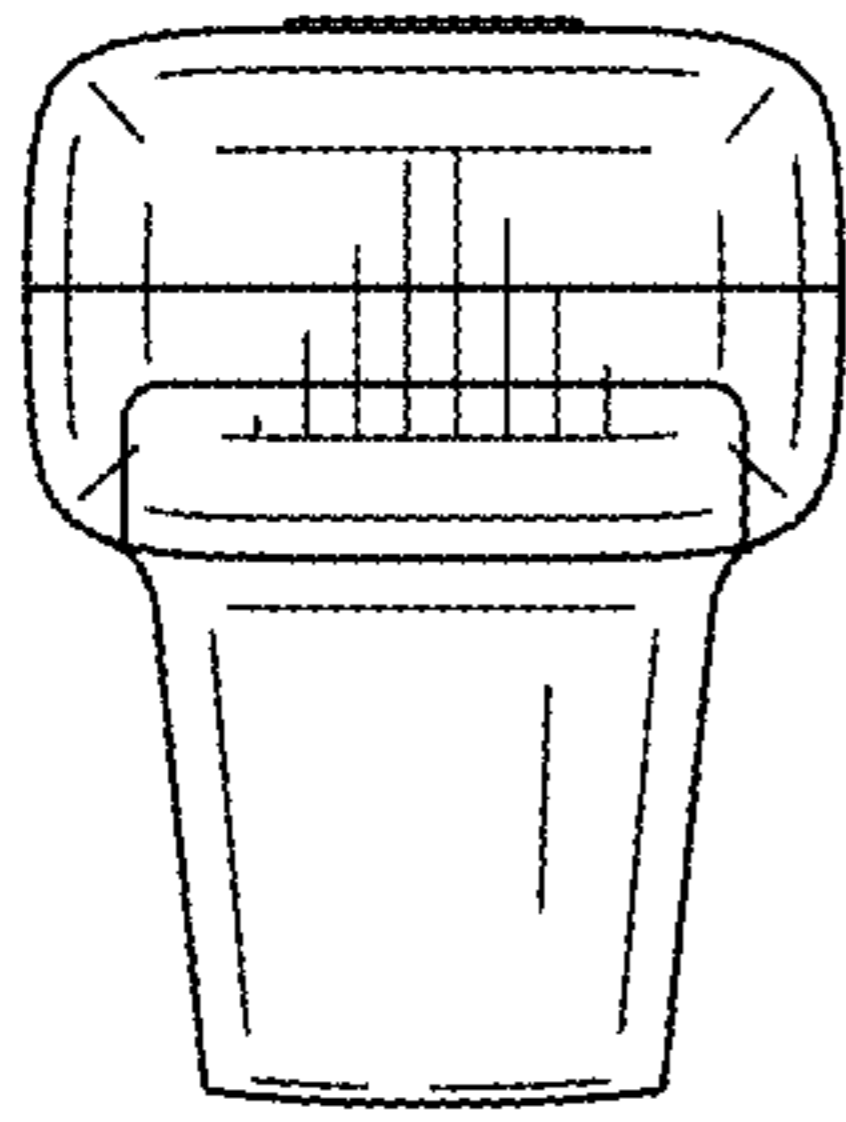


FIG. 5

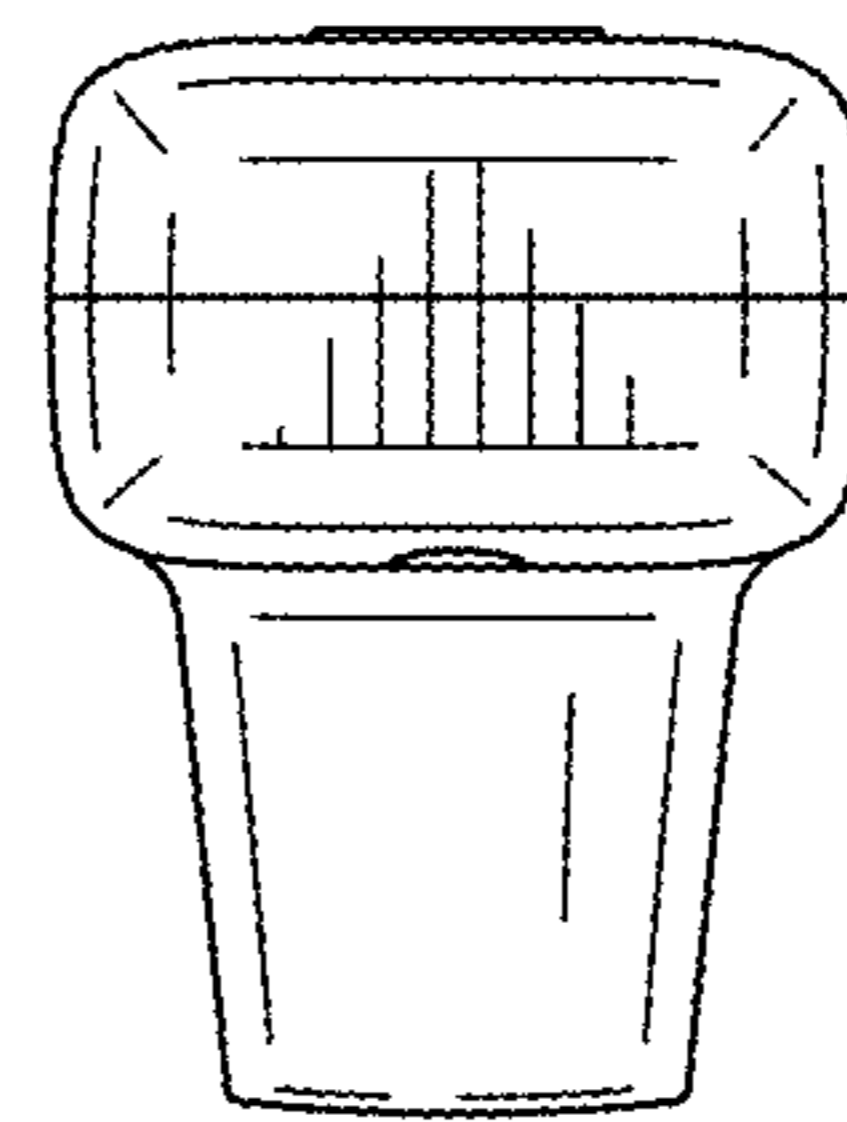


FIG. 6

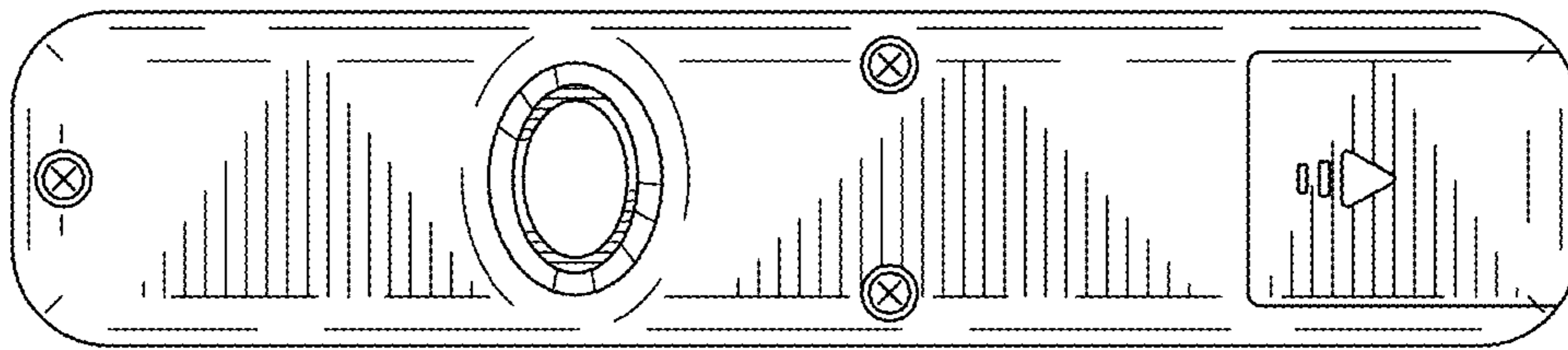


FIG. 7

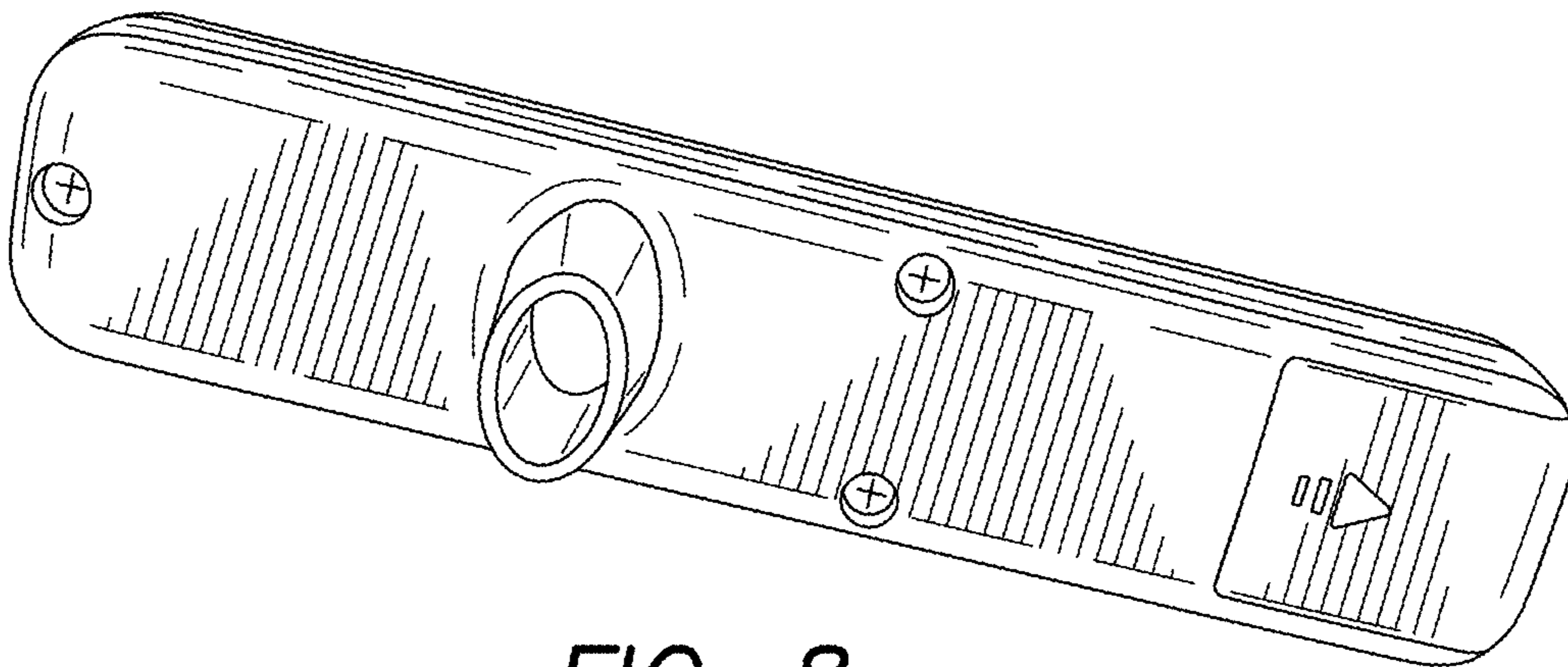


FIG. 8