



US00D928641S

(12) **United States Design Patent**
Sun et al.

(10) **Patent No.:** **US D928,641 S**

(45) **Date of Patent:** **** Aug. 24, 2021**

(54) **SENSOR MOUNT FOR A SELF-DRIVING CAR**

99/005; G02B 19/0028; G02B 19/0085;
G02B 26/106; G02B 26/108; G01C 3/08
See application file for complete search history.

(71) Applicant: **WeRide Corp.**, Sunnyvale, CA (US)

(56) **References Cited**

(72) Inventors: **Juanjuan Sun**, Sunnyvale, CA (US);
Liren Xu, Sunnyvale, CA (US);
Cheng-fu Hsieh, Sunnyvale, CA (US);
Wei Gu, Sunnyvale, CA (US)

U.S. PATENT DOCUMENTS

D866,368 S * 11/2019 Ahn D10/70
D874,956 S * 2/2020 Ahn D10/70

(73) Assignee: **WERIDE CORP.**, Sunnyvale, CA (US)

* cited by examiner

(**) Term: **15 Years**

Primary Examiner — Antoine Duval Davis

(21) Appl. No.: **29/691,904**

(74) *Attorney, Agent, or Firm* — Jun He Law Offices
P.C.; James J. Zhu

(22) Filed: **May 21, 2019**

(57) **CLAIM**

The ornamental design for a sensor mount for a self-driving car, as shown and described.

(51) **LOC (13) Cl.** **10-04**

(52) **U.S. Cl.**
USPC **D10/74; D10/103**

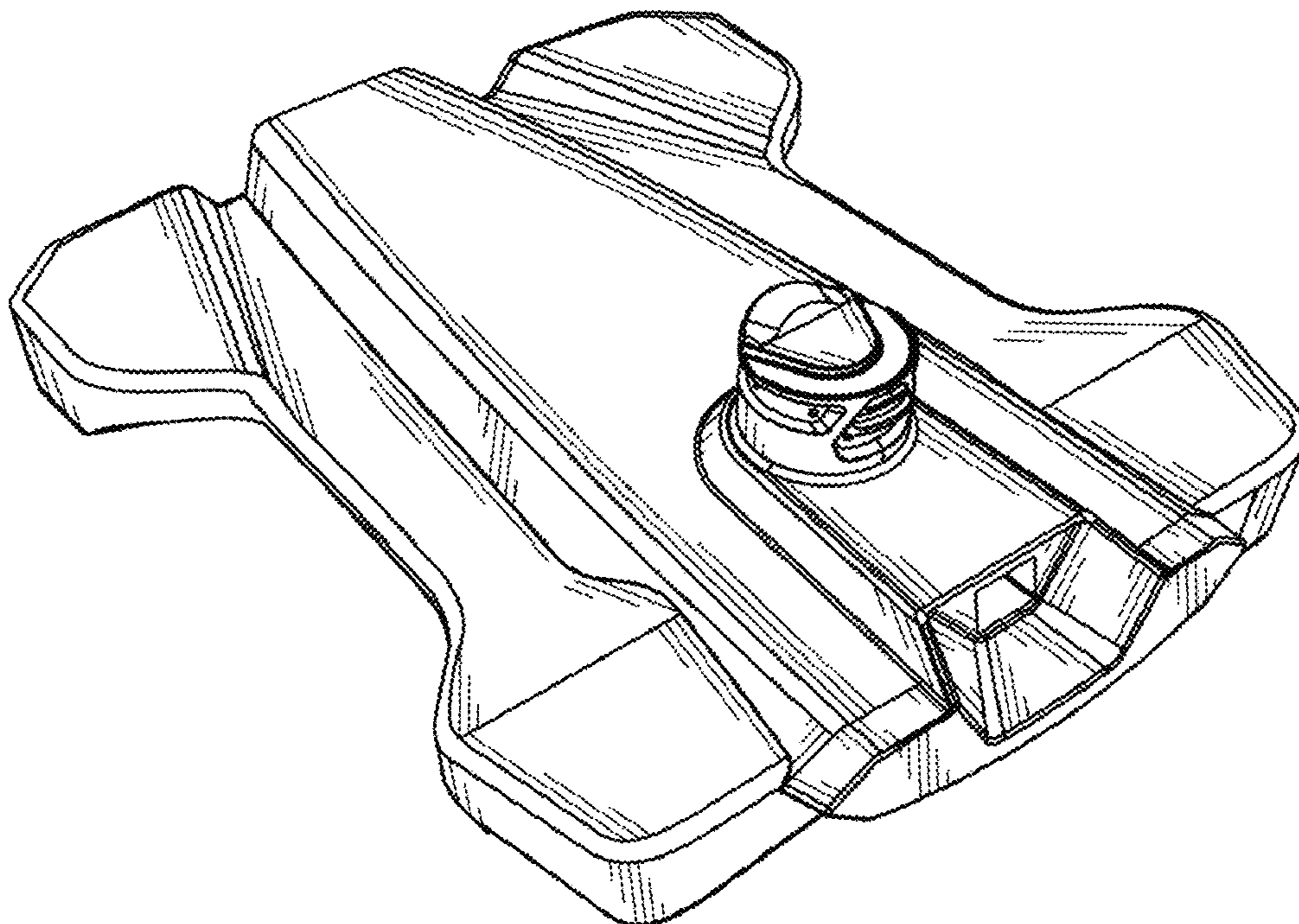
DESCRIPTION

(58) **Field of Classification Search**
USPC D10/103, 65, 70, 74, 97, 98; D8/349,
D8/354; D12/412

CPC . B60R 11/04; B60R 16/023; B60R 2011/004;
B60R 2300/108; B60R 2300/301; B60R
11/00; G01S 17/931; G01S 7/4813; G01S
13/931; G01S 2013/93273; G01S
2007/027; G01S 7/4808; G01S 7/481;
G01S 17/93; G01S 17/936; G01S 7/4817;
G01S 17/42; G01S 7/4818; G01S 7/4865;
G01S 7/4873; G01S 17/10; G01S
2007/4975; G01S 7/4814; G01S 7/4816;
G01S 7/4802; B60Q 1/503; B60Q
1/0023; E05F 15/443; E05Y 2900/55;
B60J 10/00; G01D 21/02; G08G 1/16;
G05D 1/0088; G06F 17/12; G06N

FIG. 1 is a perspective view of the sensor mount for a self-driving car showing our new design.
FIG. 2 is a front view of the sensor mount for a self-driving car shown in FIG. 1.
FIG. 3 is a rear view of the sensor mount for a self-driving car shown in FIG. 1.
FIG. 4 is a left view of the sensor mount for a self-driving car shown in FIG. 1.
FIG. 5 is a right view of the sensor mount for a self-driving car shown in FIG. 1.
FIG. 6 is a top view of the sensor mount for a self-driving car shown in FIG. 1; and,
FIG. 7 is a bottom view of the sensor mount for a self-driving car shown in FIG. 1.

1 Claim, 5 Drawing Sheets



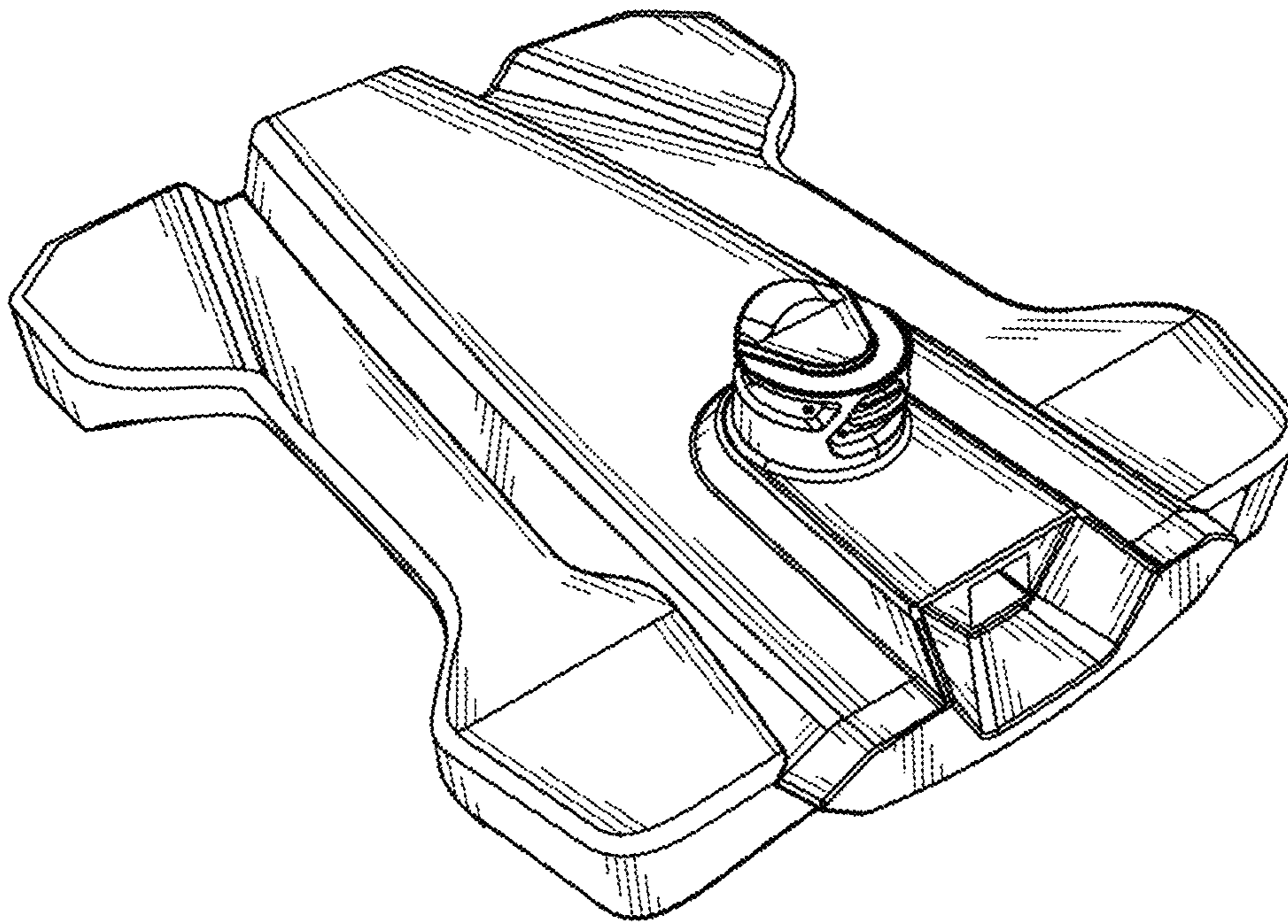


FIG. 1

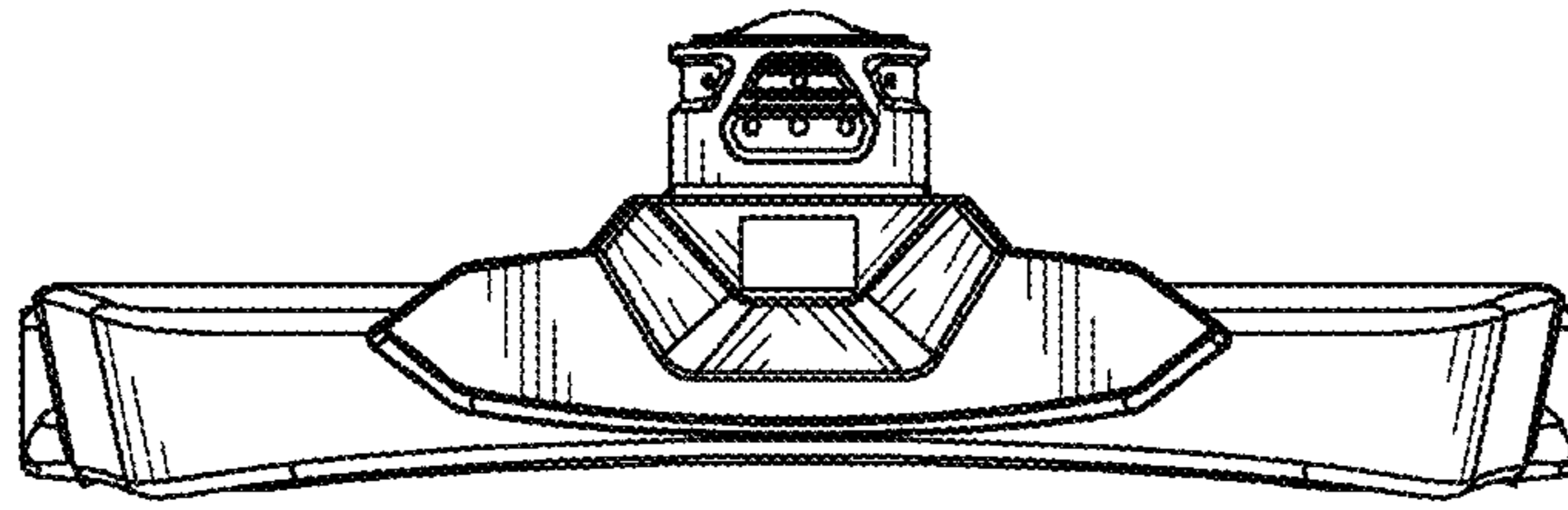


FIG. 2

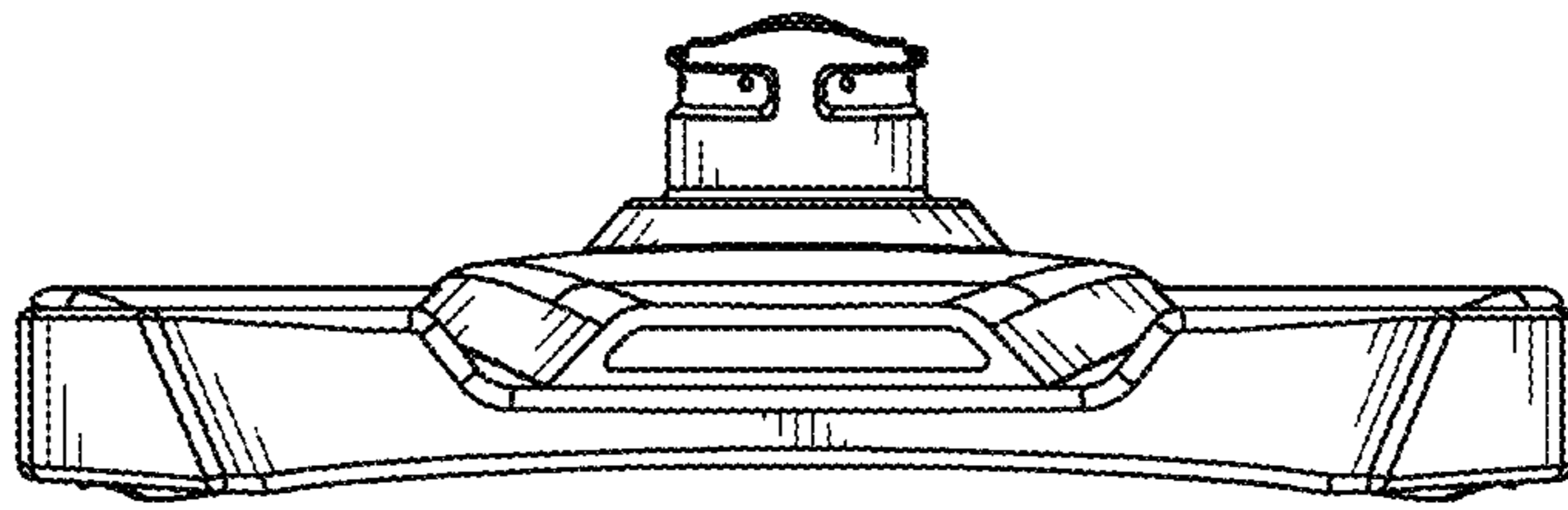


FIG. 3

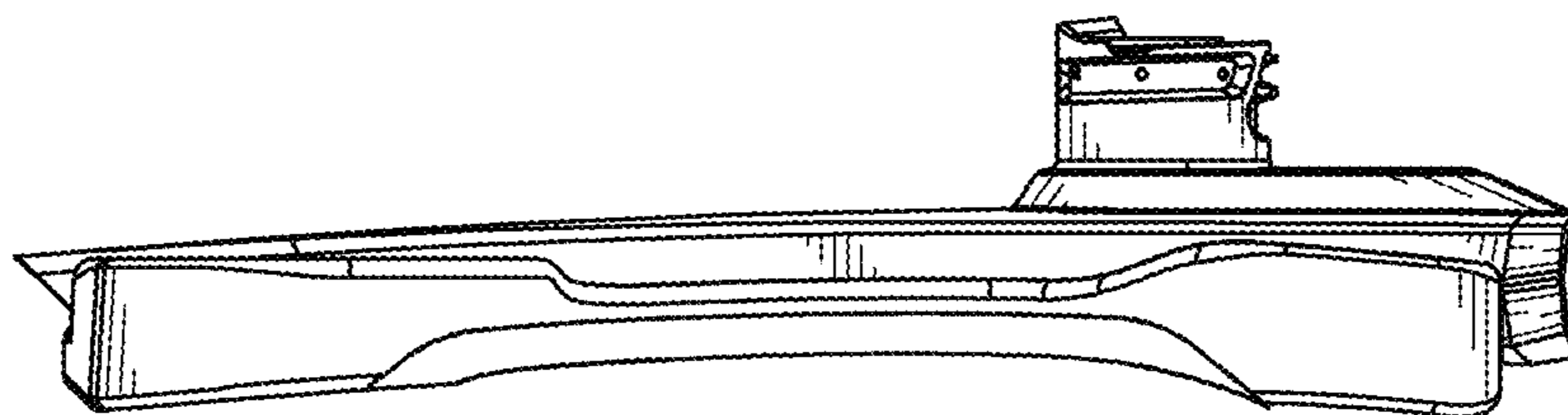


FIG. 4

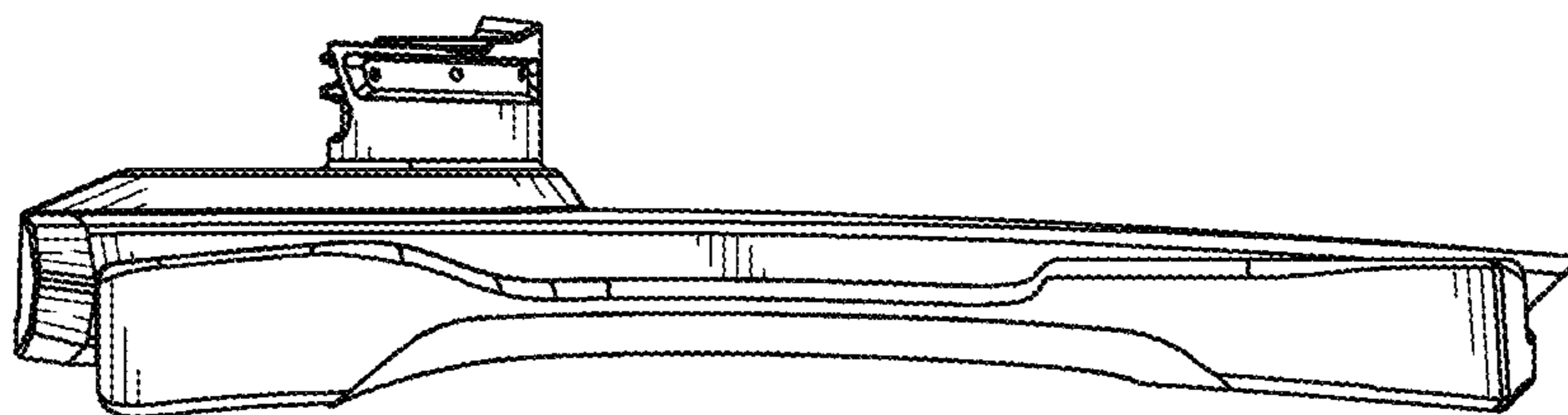


FIG. 5

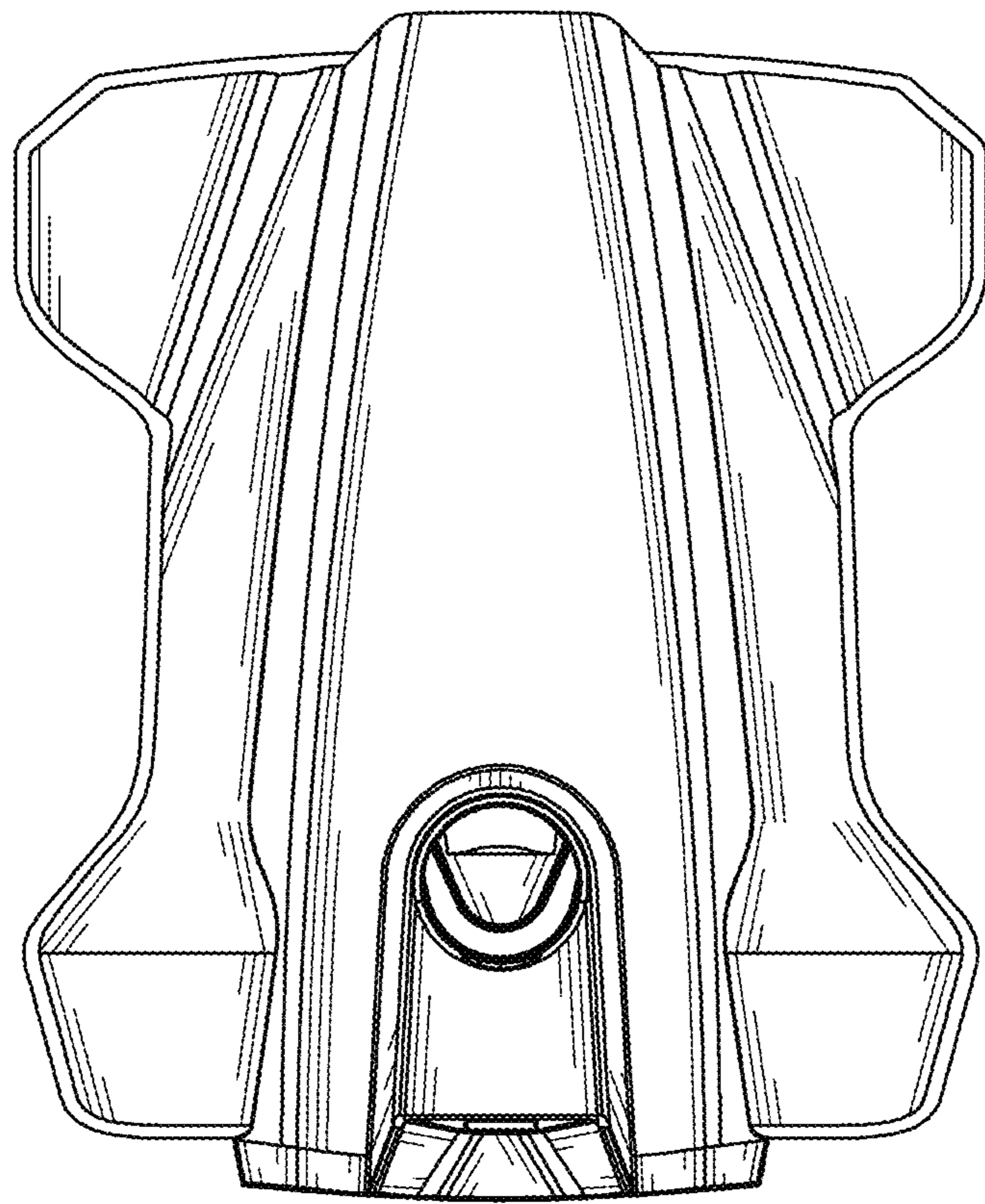


FIG. 6

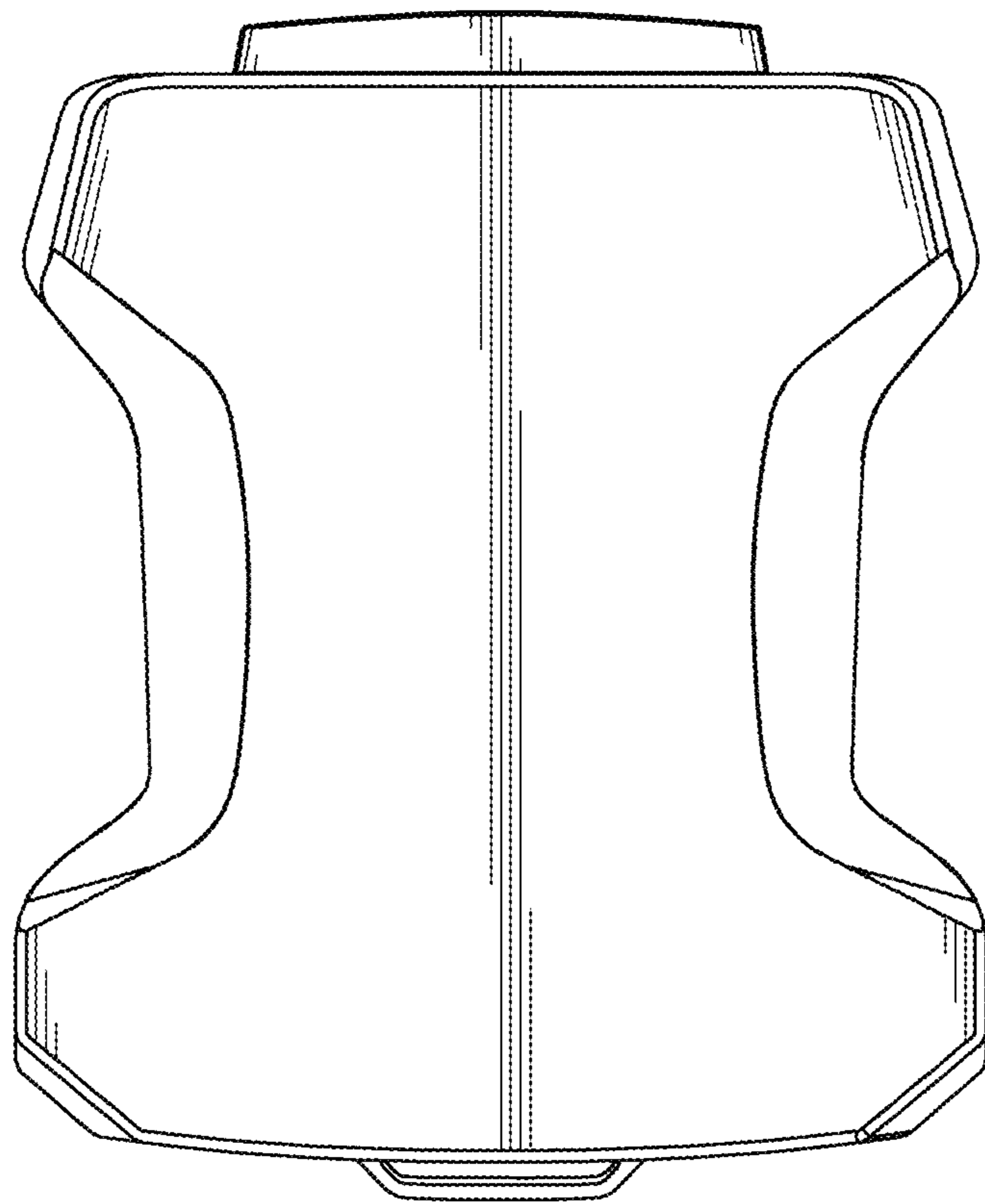


FIG. 7