



US00D928638S

(12) **United States Design Patent** (10) **Patent No.:** **US D928,638 S**  
**Zheng et al.** (45) **Date of Patent:** **\*\* Aug. 24, 2021**

(54) **LASER LEVEL**

(71) Applicant: **Shenzhen Aukeyhi Technology Co., Ltd.**, Shenzhen (CN)

(72) Inventors: **Huahui Zheng**, Shenzhen (CN); **Huiyue Ze**, Shenzhen (CN)

(73) Assignee: **SHENZHEN AUKEYHI TECHNOLOGY CO., LTD.**, Shenzhen (CN)

(\*\*) Term: **15 Years**

(21) Appl. No.: **29/718,439**

(22) Filed: **Dec. 24, 2019**

(30) **Foreign Application Priority Data**

Jul. 24, 2019 (EM) ..... 006643771

(51) **LOC (13) Cl.** ..... **10-04**

(52) **U.S. Cl.**

USPC ..... **D10/69**

(58) **Field of Classification Search**

USPC ..... D10/49, 61, 62, 64, 65, 69, 70, 71, 72, D10/82

CPC .. G01C 15/002; G01C 15/004; G01C 15/006; G01C 15/008; G01C 9/02

See application file for complete search history.

D881,043 S \* 4/2020 Shao ..... D10/69  
D882,427 S \* 4/2020 Shao ..... D10/69  
D887,291 S \* 6/2020 Waldron ..... D10/69  
11,002,542 B1 \* 5/2021 King ..... G01C 9/02  
2014/0182147 A1 \* 7/2014 Munroe ..... G08B 13/14  
33/275 R  
2018/0321035 A1 \* 11/2018 Yong ..... G01C 15/004

**OTHER PUBLICATIONS**

Huepar 903CG Laser Level 12 Line CG Laser Level | gardenwarehouseuk.co.uk; no posting date [online]. © Garden Warehouse UK [retrieved Jun. 4, 2021] from Internet: <<https://www.gardenwarehouseuk.co.uk/products/huepar-903cg-laser-level>> (Year: 2021).\*

Ketotek 3D 12 Line Green Laser Level | aliexpress.com; no posting date [online]. © 2010-2020 AliExpress.com. [retrieved Jun. 4, 2021] from Internet: <<https://www.aliexpress.com/item/32871493166.html>> (Year: 2021).\*

\* cited by examiner

*Primary Examiner* — Katherine Glennon

(57) **CLAIM**

The ornamental design for a laser level, as shown and described.

**DESCRIPTION**

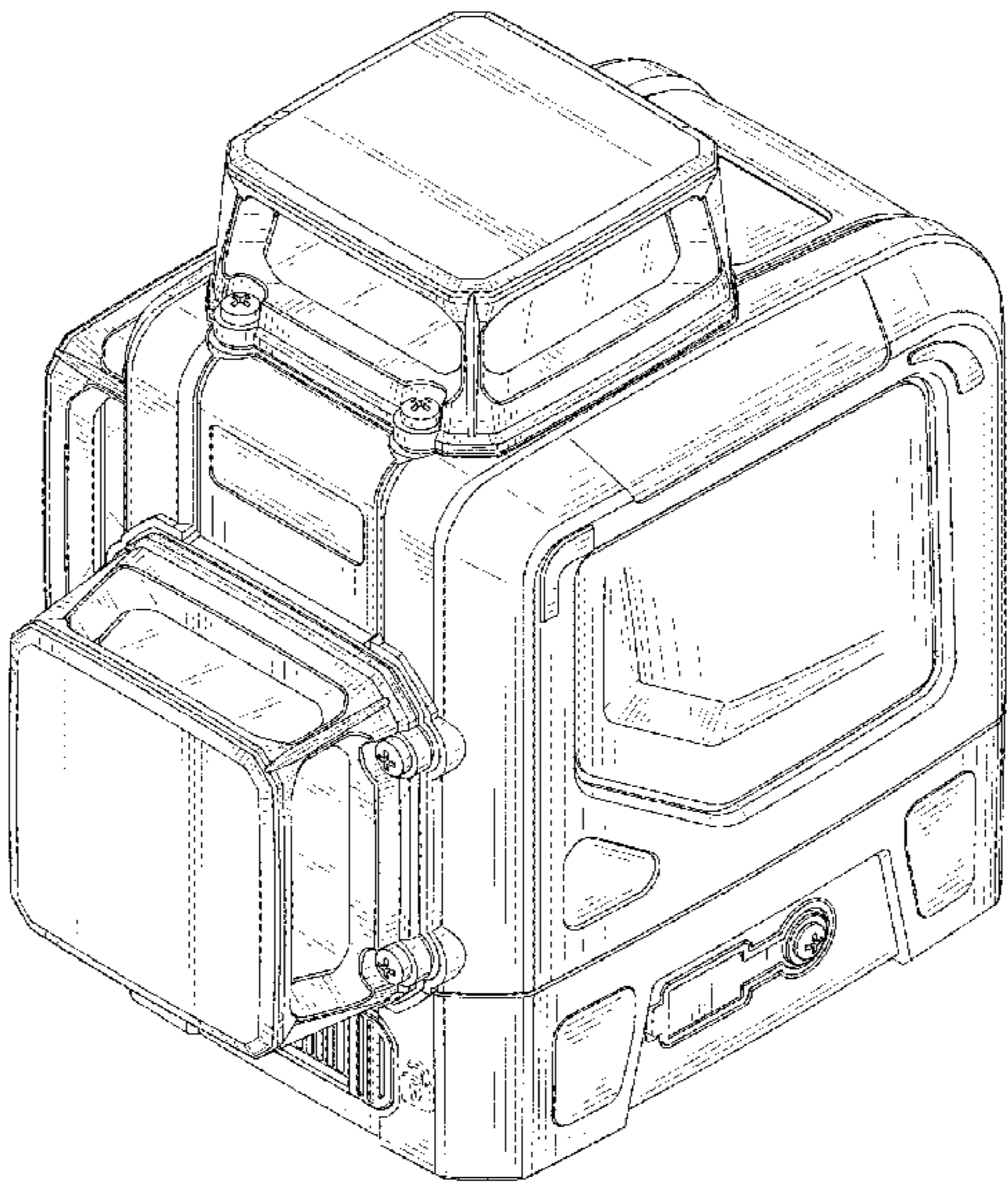
FIG. 1 is a front, right, and top perspective view of a laser level showing our new design;  
FIG. 2 is a rear, left, and bottom perspective view thereof;  
FIG. 3 is a front elevational view thereof;  
FIG. 4 is a rear elevational view thereof;  
FIG. 5 is a left side view thereof;  
FIG. 6 is a right side view thereof;  
FIG. 7 is a top plan view thereof; and,  
FIG. 8 is a bottom plan view thereof.  
The broken lines in the drawings illustrate the portions of the laser level which form no part of the claimed design.

**1 Claim, 8 Drawing Sheets**

(56) **References Cited**

U.S. PATENT DOCUMENTS

D498,687 S \* 11/2004 Lopano ..... D10/69  
D504,340 S \* 4/2005 Concari ..... D10/70  
D526,587 S \* 8/2006 Lopano ..... G01C 15/004  
D10/66  
D587,149 S \* 2/2009 Ishii ..... D10/66  
D609,124 S \* 2/2010 Ishii ..... D10/66  
D672,259 S \* 12/2012 Sun ..... D10/66  
D688,578 S \* 8/2013 Asher ..... D10/66  
D690,214 S \* 9/2013 Asher ..... D10/66



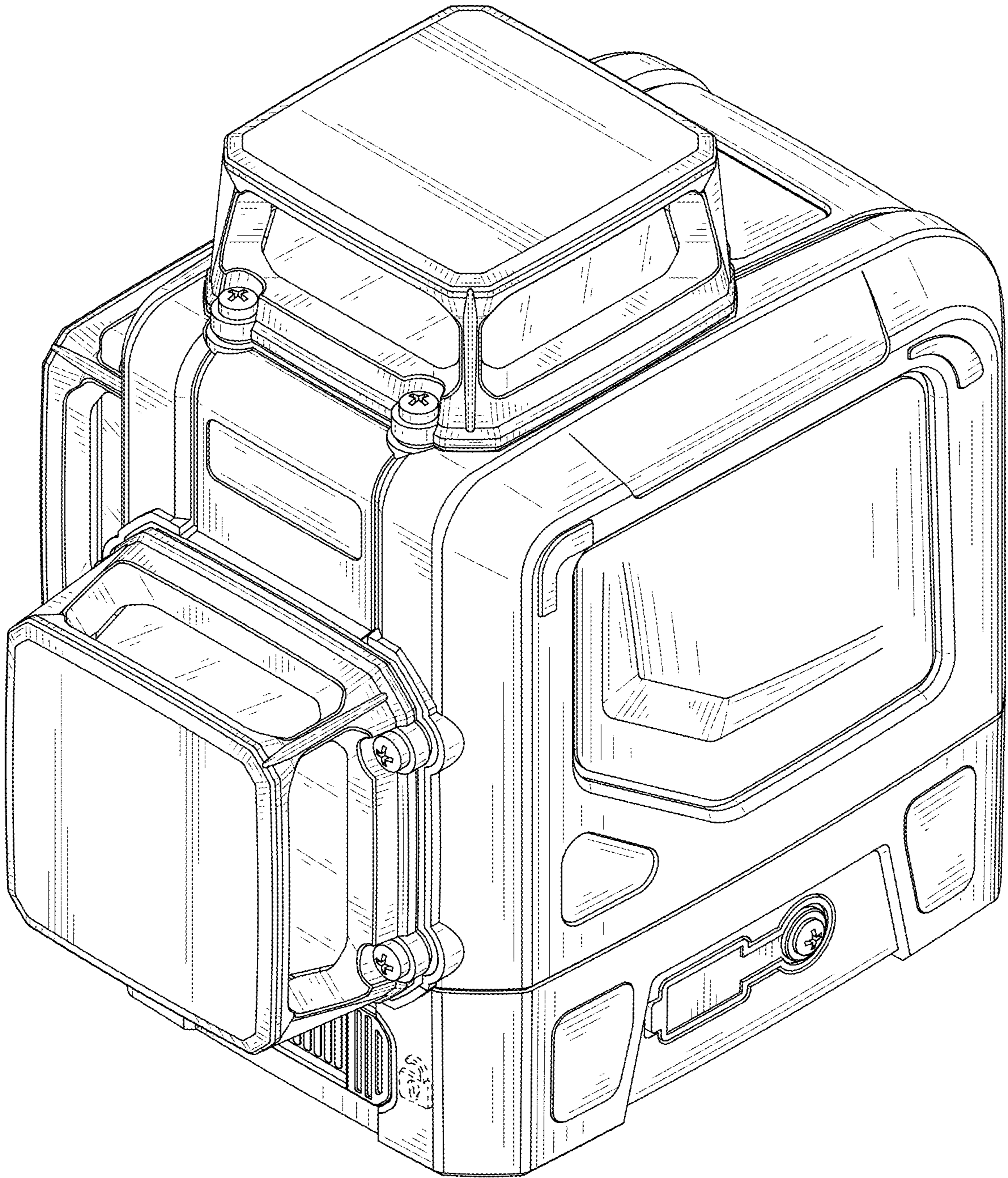


FIG. 1

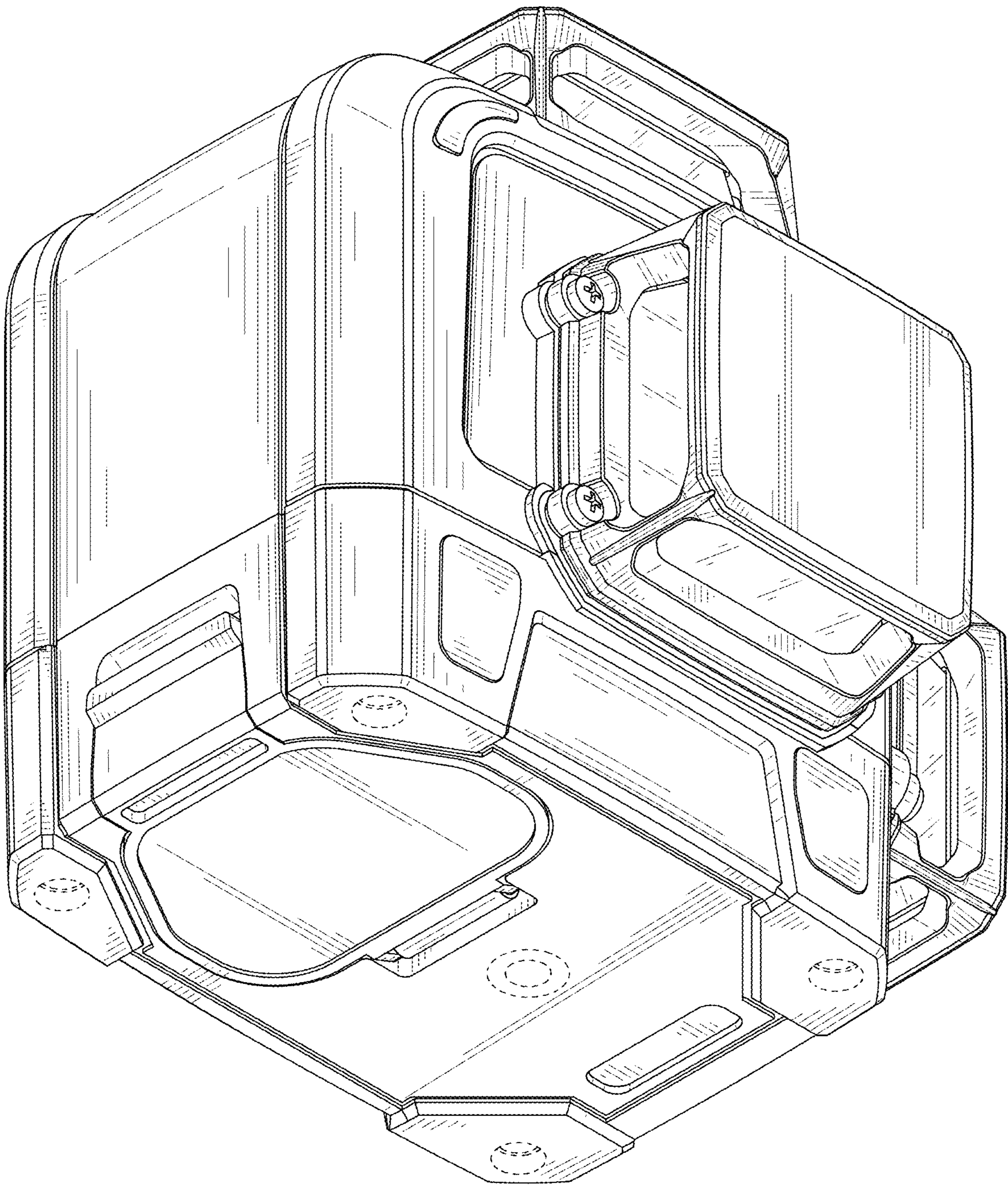


FIG. 2

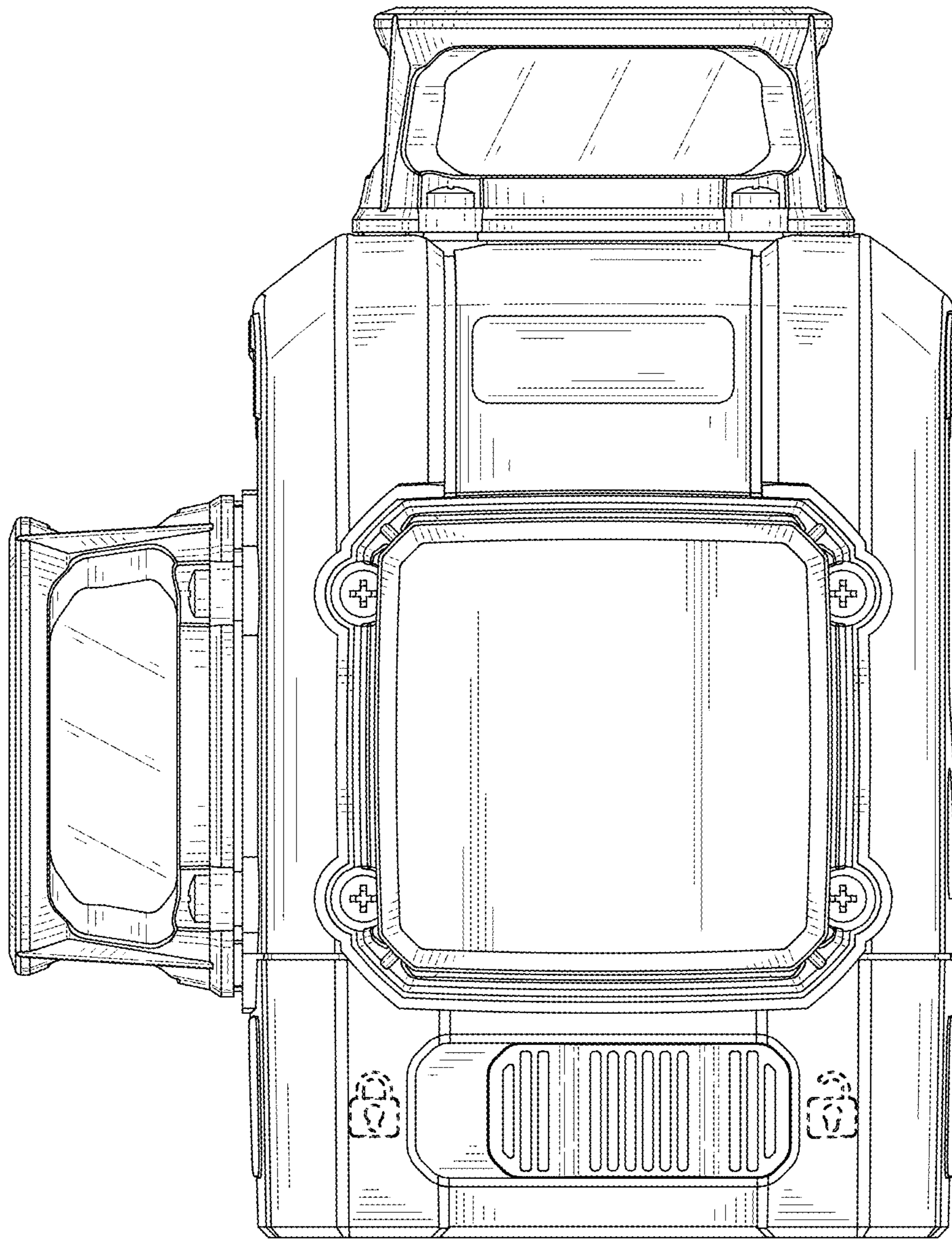


FIG. 3

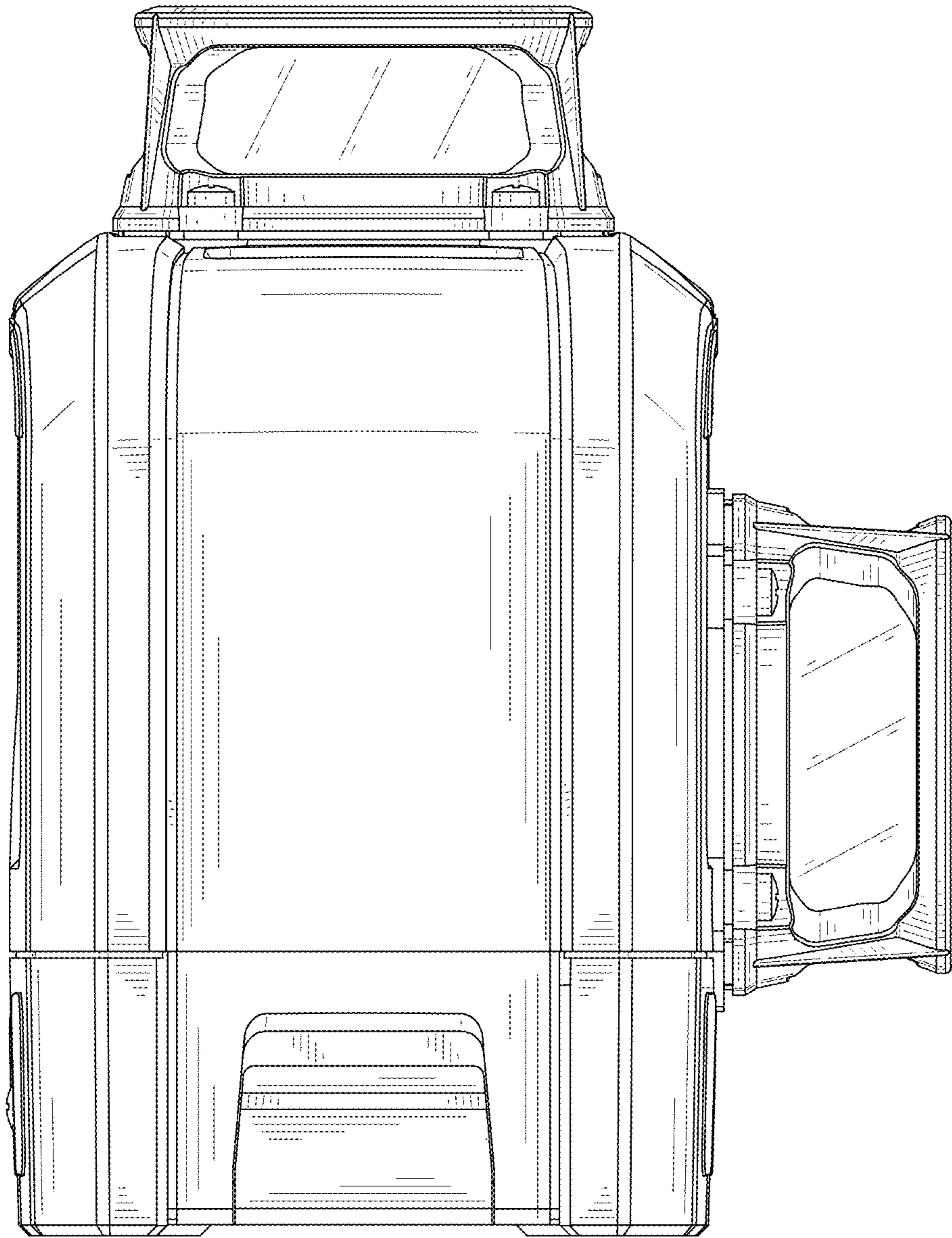


FIG. 4

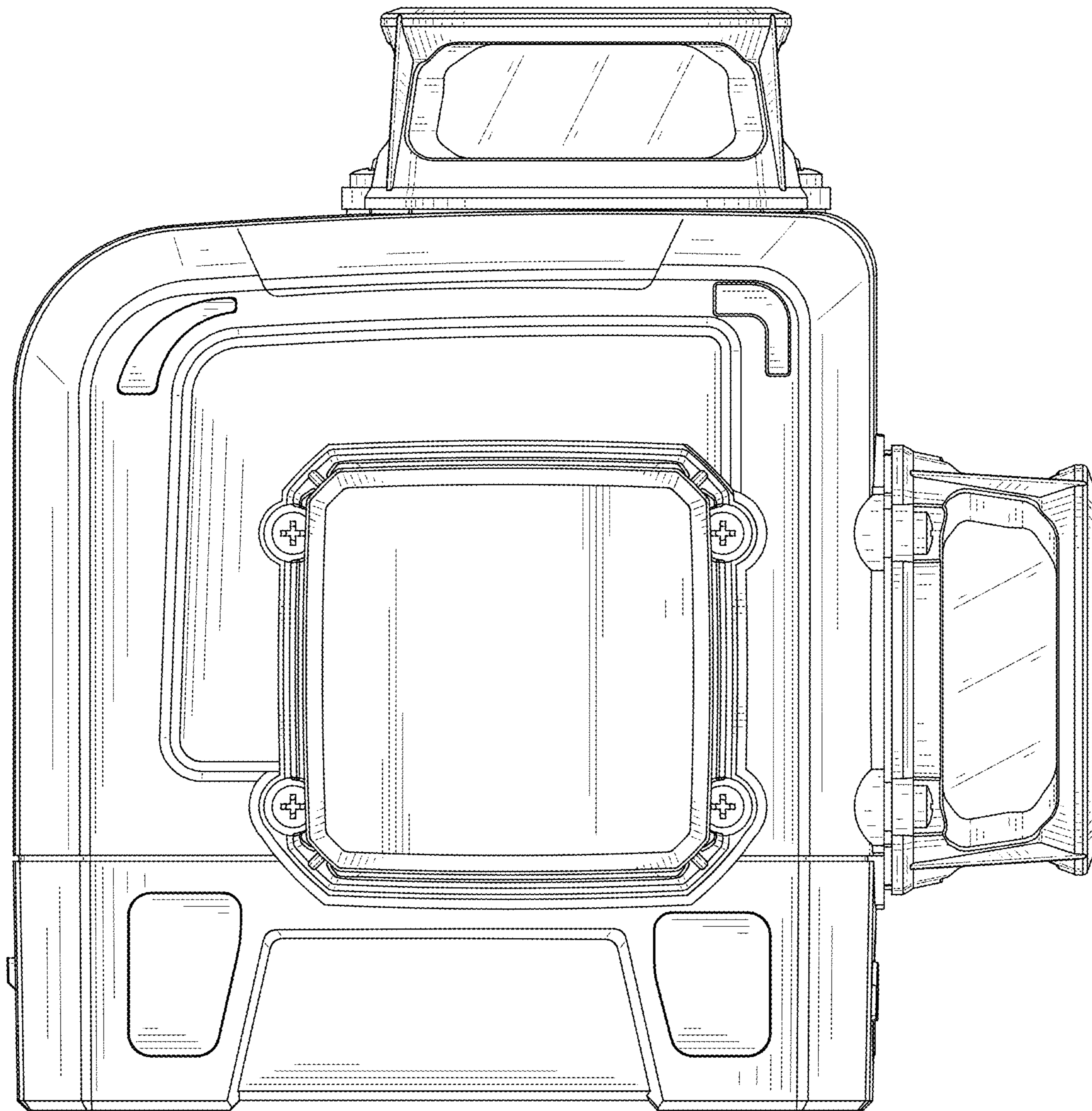


FIG. 5

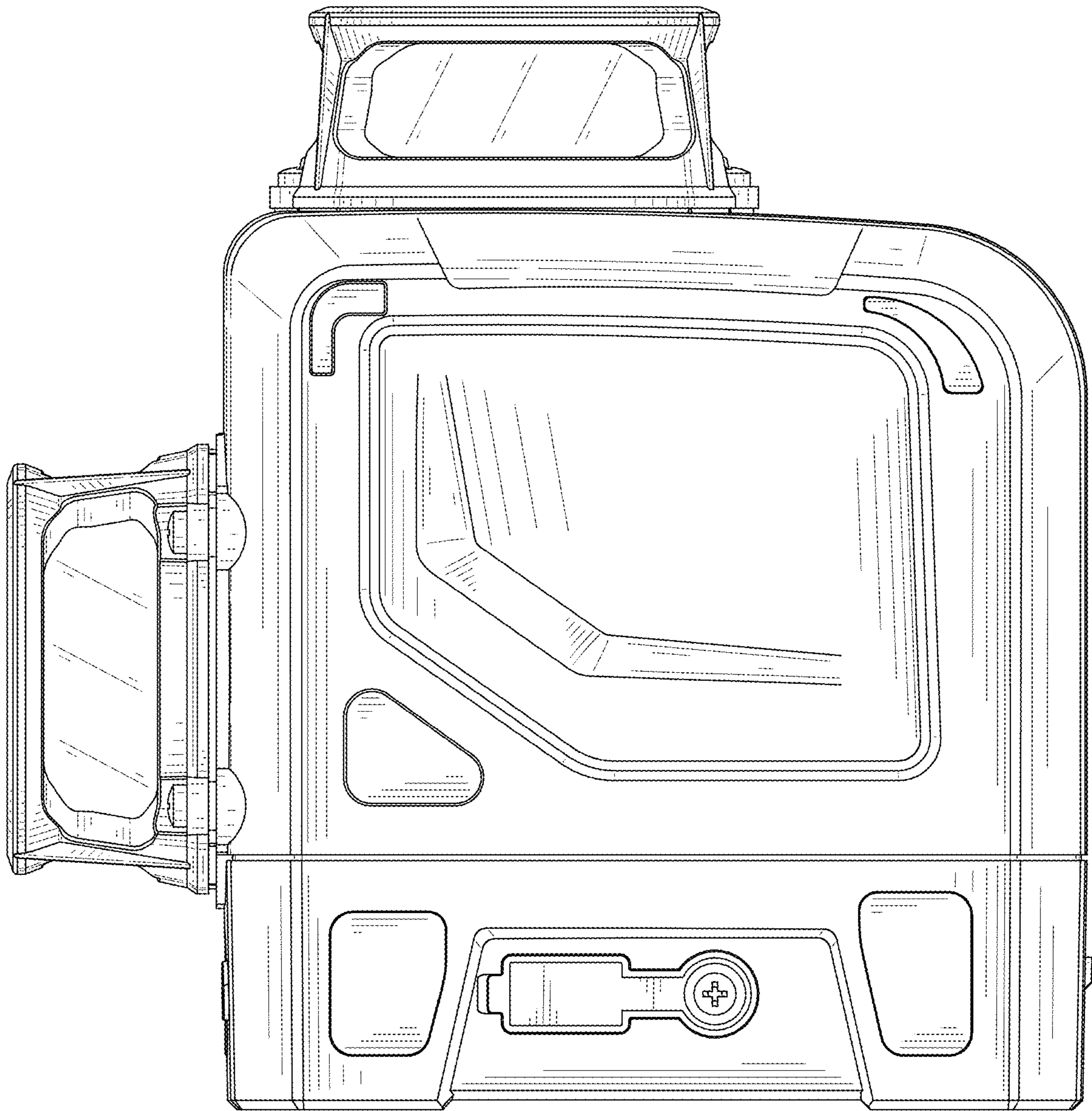


FIG. 6

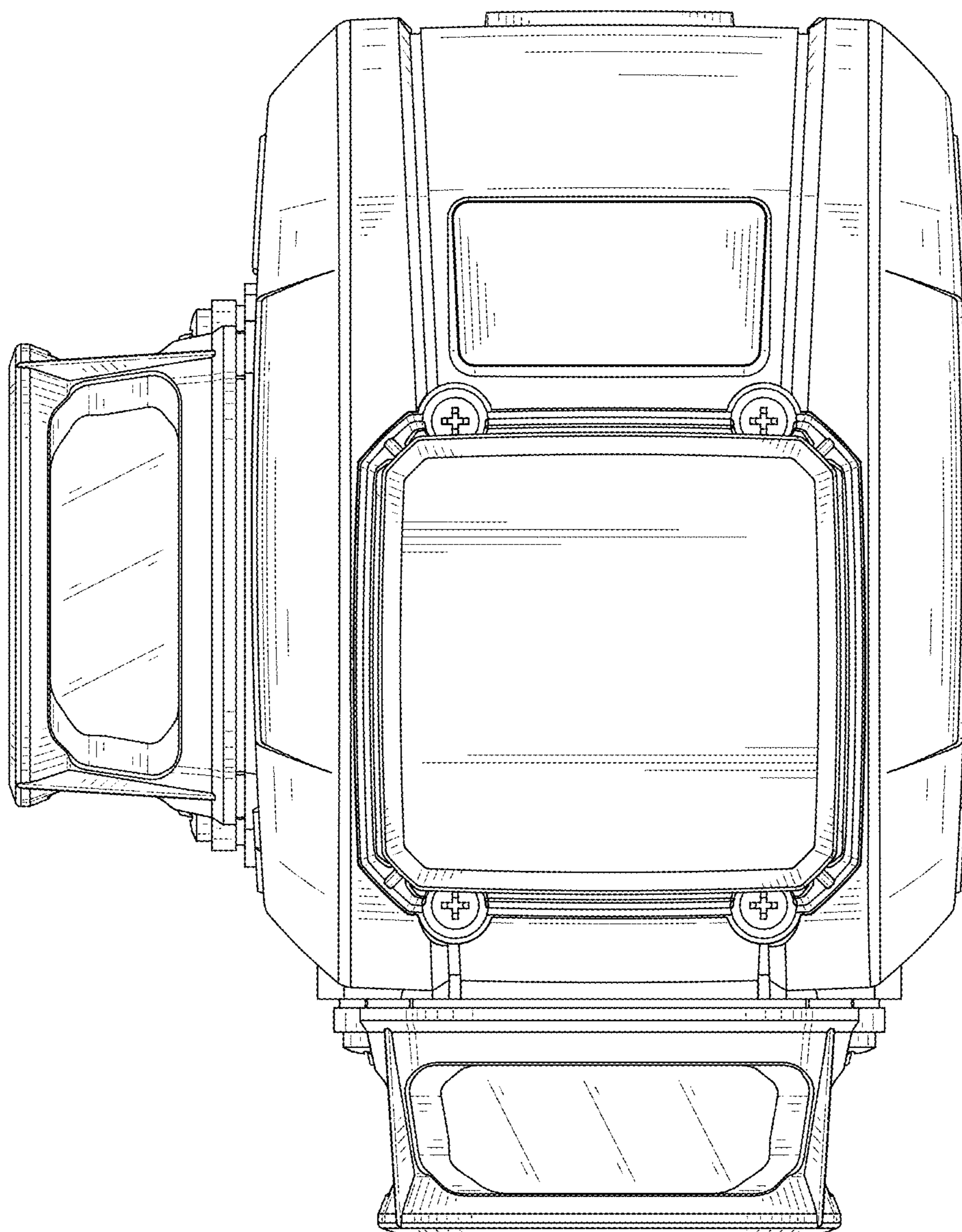


FIG. 7



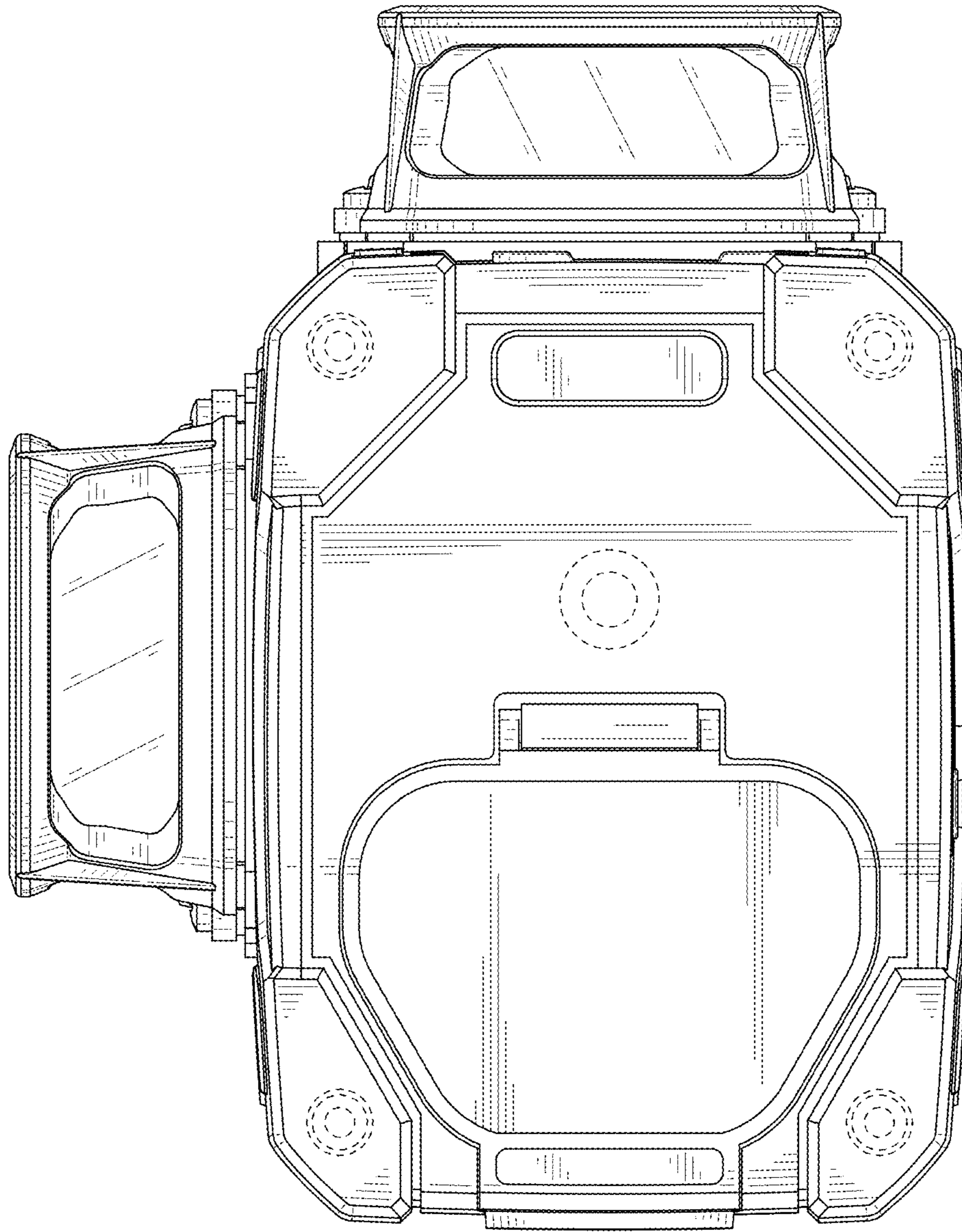


FIG. 8