



US00D928637S

(12) **United States Design Patent**  
**Graykowski et al.**

(10) **Patent No.:** **US D928,637 S**

(45) **Date of Patent:** **\*\* Aug. 24, 2021**

- (54) **LEVEL**
- (71) Applicant: **Milwaukee Electric Tool Corporation**,  
Brookfield, WI (US)
- (72) Inventors: **Anthony S. Graykowski**, Belgium, WI  
(US); **Samuel J. Howard**, Hales  
Corners, WI (US)
- (73) Assignee: **Milwaukee Electric Tool Corporation**,  
Brookfield, WI (US)

D582,302 S \* 12/2008 Johnson ..... D10/69  
D723,955 S \* 3/2015 Wojciechowski ..... G01C 9/32  
D10/69  
D723,956 S \* 3/2015 Johnson ..... D10/69  
D729,645 S \* 5/2015 Wojciechowski ..... D10/69  
D777,589 S \* 1/2017 Wojciechowski ..... G01C 9/28  
D10/69  
D796,973 S \* 9/2017 Wojciechowski ..... G01C 9/28  
D10/69  
9,885,572 B2 \* 2/2018 Schwoegler ..... G01C 9/28

\* cited by examiner

(\*\*) Term: **15 Years**

*Primary Examiner* — Antoine Duval Davis

(21) Appl. No.: **29/693,285**

(74) *Attorney, Agent, or Firm* — Reinhart Boerner Van  
Deuren s.c.

(22) Filed: **May 31, 2019**

(51) **LOC (13) Cl.** ..... **10-04**

(52) **U.S. Cl.**  
USPC ..... **D10/69**

(58) **Field of Classification Search**  
USPC ..... D10/69  
CPC ... G01C 9/24; G01C 9/26; G01C 9/28; G01C  
9/30; G01C 9/32; G01C 9/34; G01C 9/36  
See application file for complete search history.

(57) **CLAIM**

We claim the ornamental design for a level, as shown and described.

(56) **References Cited**

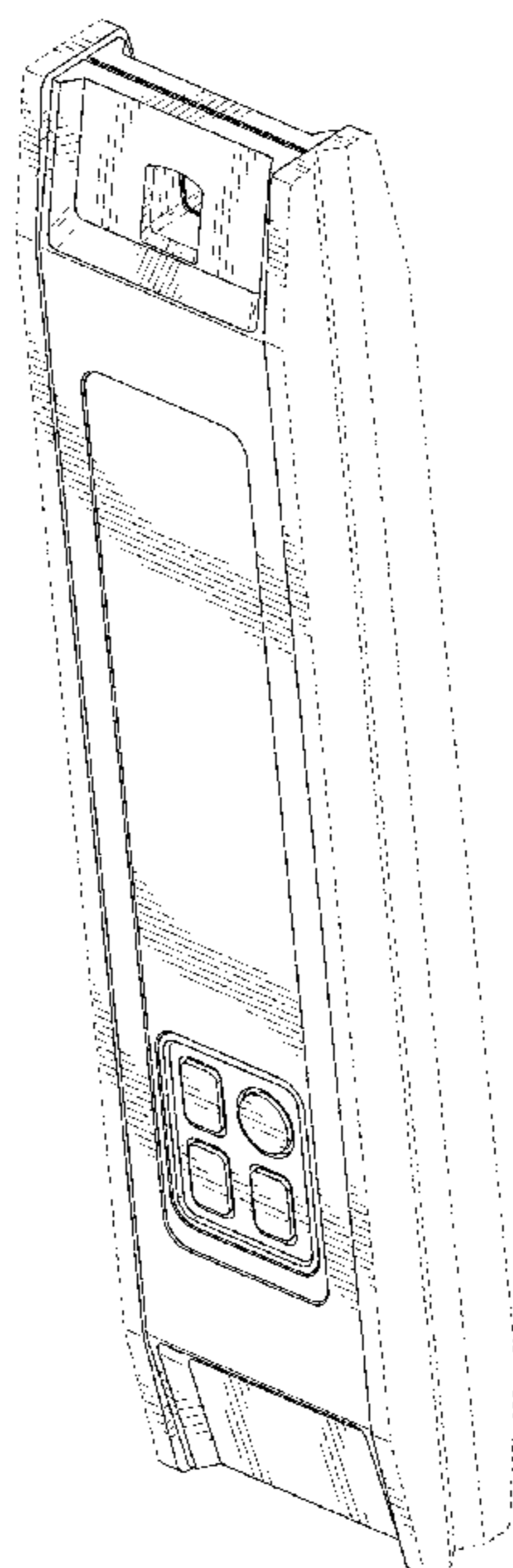
**U.S. PATENT DOCUMENTS**

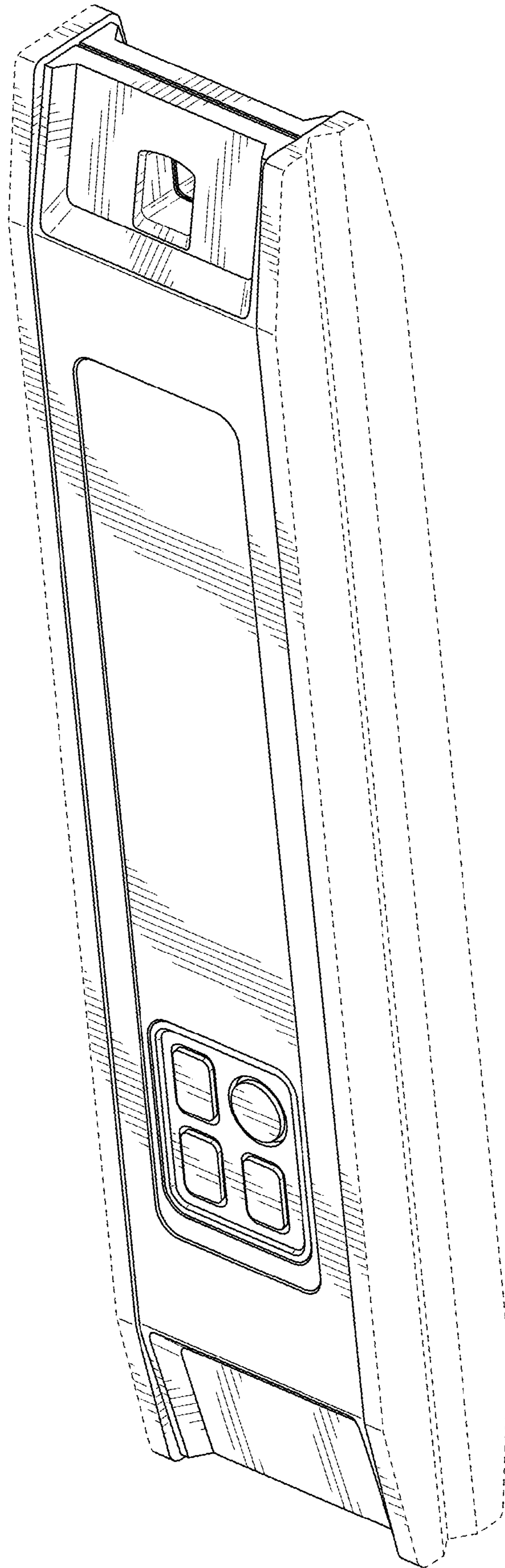
- 4,653,193 A \* 3/1987 Kennedy ..... G01C 9/28  
33/379
- D301,553 S \* 6/1989 Makofsky ..... D10/69
- 4,876,798 A \* 10/1989 Zimmerman ..... G01C 9/32  
33/348.2
- D337,279 S \* 7/1993 Styles ..... D10/69
- D355,134 S \* 2/1995 Kennedy ..... D10/69
- 6,243,957 B1 \* 6/2001 Gruetzmacher, Jr. ... B29C 33/12  
33/379
- 6,782,628 B2 \* 8/2004 Liao ..... G01C 9/28  
33/384

**DESCRIPTION**

FIG. 1 is a front perspective view of an embodiment of the claimed design;  
FIG. 2 is a front view of the claimed design of FIG. 1;  
FIG. 3 is a back view of the claimed design of FIG. 1;  
FIG. 4 is a bottom view of the claimed design of FIG. 1;  
FIG. 5 is a top view of the claimed design of FIG. 1;  
FIG. 6 is a left side view of the claimed design of FIG. 1;  
and,  
FIG. 7 is a right side view of the claimed design of FIG. 1.  
The ornamental design which is claimed is shown in solid lines in the drawings. The broken dot-dash lines define boundaries of the claimed design and form no part thereof. The other broken lines in the drawings are for illustrative purposes only and form no part of the claimed design.

**1 Claim, 5 Drawing Sheets**





**FIG. 1**

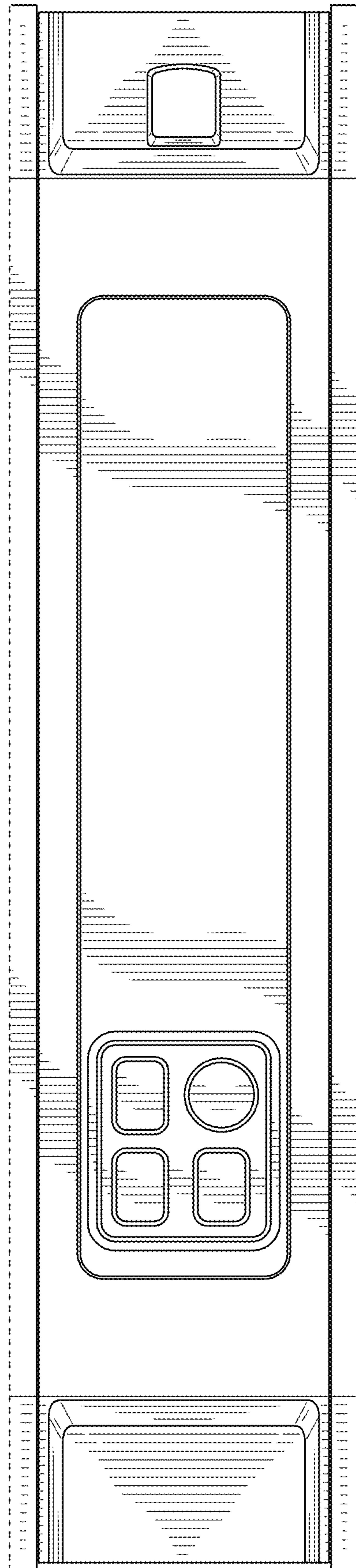
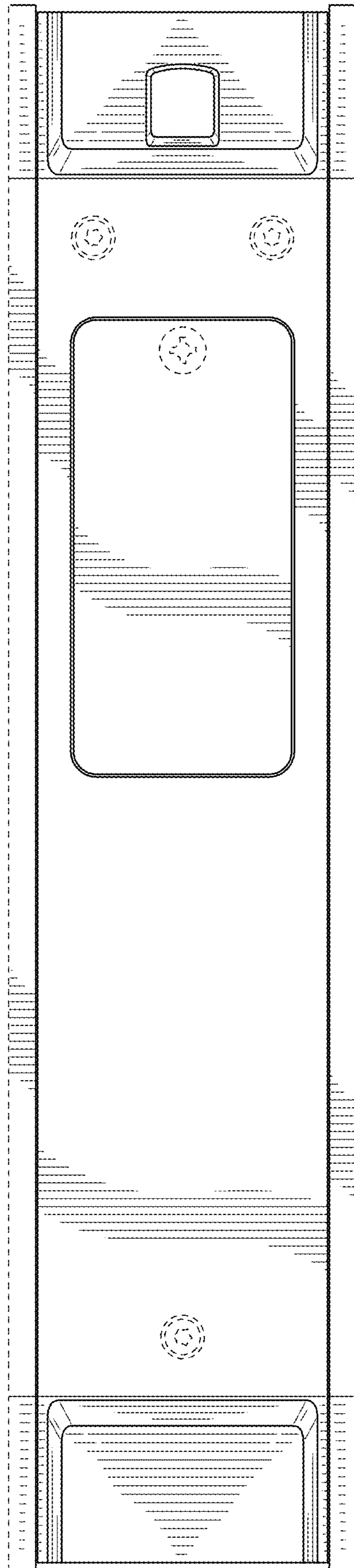
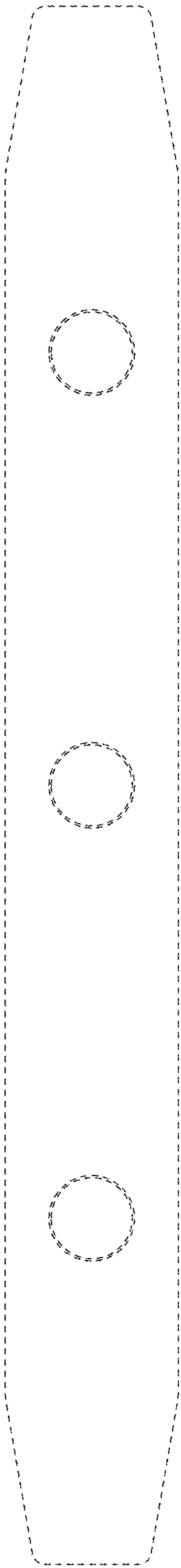


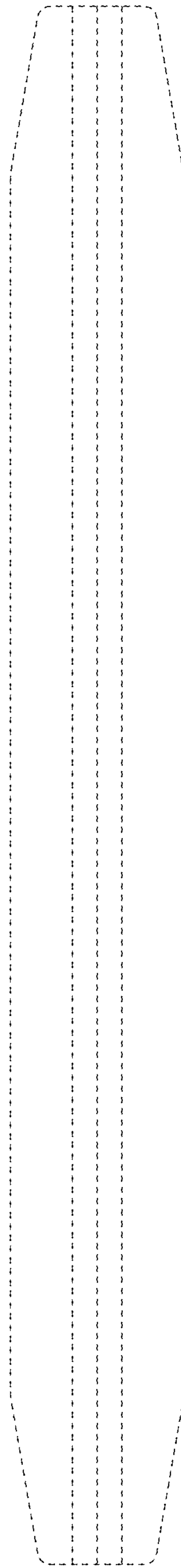
FIG. 2



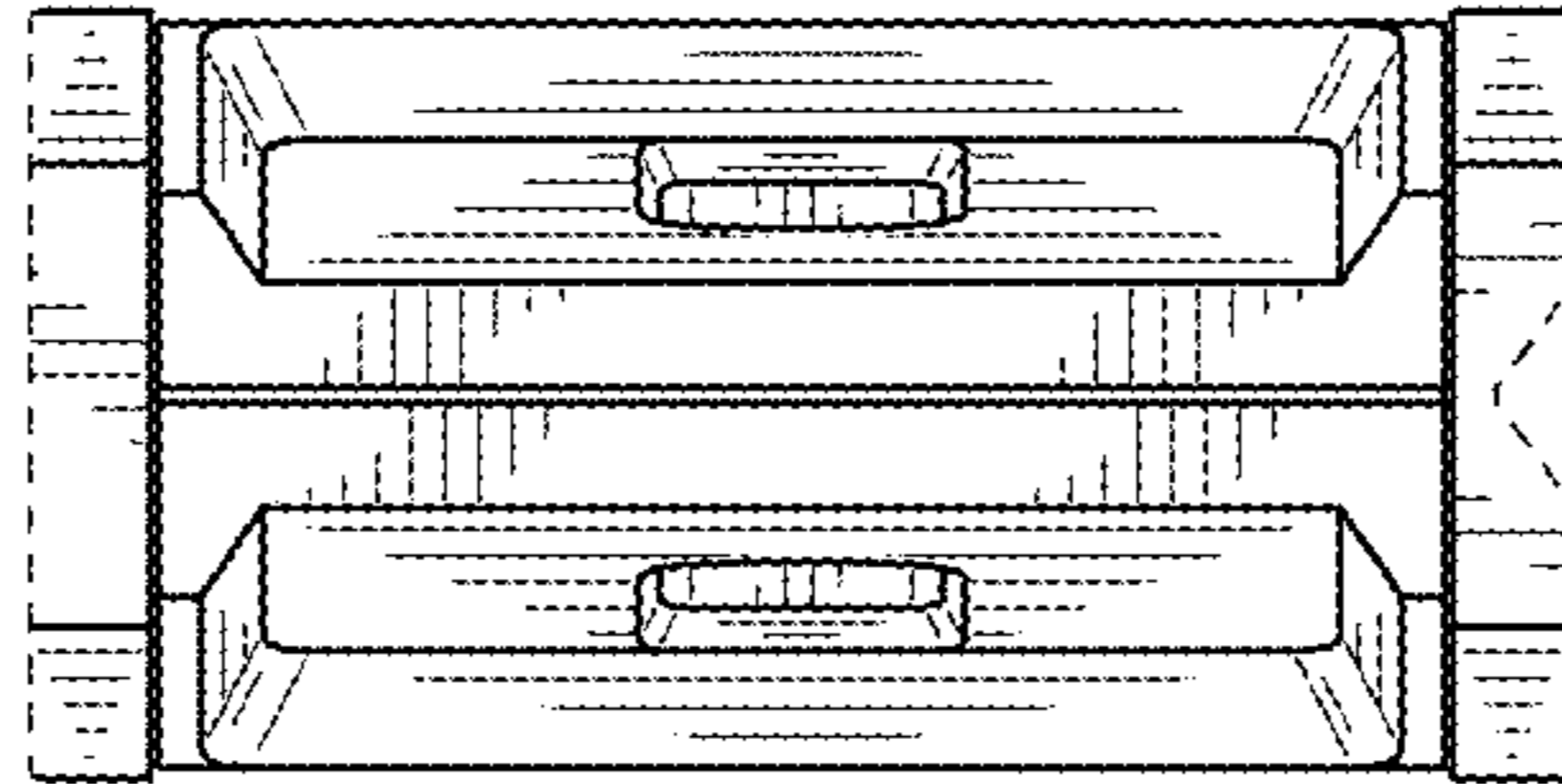
**FIG. 3**



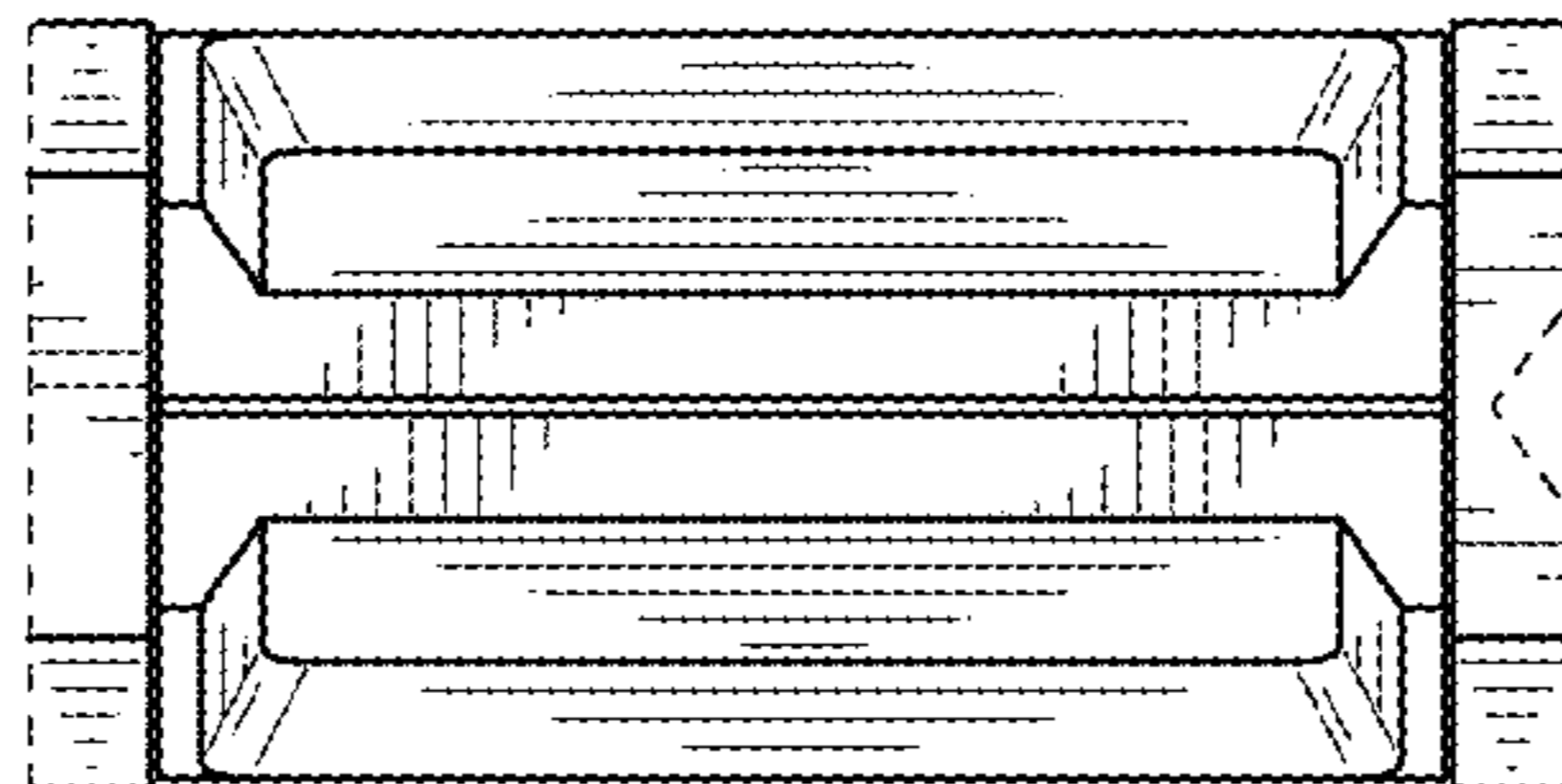
**FIG. 4**



**FIG. 5**



**FIG. 6**



**FIG. 7**