



US00D928630S

(12) **United States Design Patent**  
**Liu**

(10) **Patent No.:** **US D928,630 S**  
(45) **Date of Patent:** **\*\* Aug. 24, 2021**

(54) **TOOL ORGANIZE FOAM TRAY WITH SURFACE PATTERN**

(71) Applicant: **ERSSON CO., LTD.**, Taichung (TW)

(72) Inventor: **Ming-Hsien Liu**, Taichung (TW)

(73) Assignee: **ERSSON CO. LTD.**, Taichung (TW)

(\*\*) Term: **15 Years**

(21) Appl. No.: **29/700,477**

(22) Filed: **Aug. 2, 2019**

(51) **LOC (13) Cl.** ..... **09-03**

(52) **U.S. Cl.**

USPC ..... **D9/737; D8/71**

(58) **Field of Classification Search**

USPC ..... D9/414, 418, 419, 420, 422, 423, 424,  
D9/425, 426, 432, 456, 600, 737, 751,  
D9/756; D8/71

CPC .... B65D 5/5213; B65D 75/36; B65D 81/113;  
B65D 5/4204; B65D 75/58; B65D 65/38;  
B65D 73/0035; B65D 2585/86; B65D  
85/00; B32B 37/00; B32B 37/12; B32B  
37/16

See application file for complete search history.

(56) **References Cited**

**U.S. PATENT DOCUMENTS**

D200,839 S *	4/1965	Melik .....	D9/755
D205,167 S *	6/1966	Braun .....	D9/737
D339,287 S *	9/1993	Levin .....	D9/432
5,320,223 A *	6/1994	Allen .....	B25H 3/06 206/372
D369,678 S *	5/1996	Hammer .....	D3/318
6,036,019 A *	3/2000	Silverman .....	A45C 11/20 206/478

D538,656 S *	3/2007	Brooks .....	D9/456
D608,609 S *	1/2010	Eaton .....	D7/701
D634,541 S *	3/2011	Gutierrez .....	D3/313
8,104,615 B2 *	1/2012	Liu .....	B25H 3/022 206/373
D714,120 S *	9/2014	Liu .....	D8/71
D786,073 S *	5/2017	Hutcheson, Jr. ....	D9/456
D805,921 S *	12/2017	Torchin .....	D9/737
10,213,913 B2 *	2/2019	Pang .....	B25H 3/06
D894,841 S *	9/2020	Mickler .....	D13/146
2005/0011788 A1 *	1/2005	Hsien .....	B25H 3/06 206/349
2009/0188931 A1 *	7/2009	Liu .....	B25H 3/022 220/735
2015/0375893 A1 *	12/2015	Korinek .....	B29C 51/264 493/90

\* cited by examiner

*Primary Examiner* — Lauren R Calve

(74) *Attorney, Agent, or Firm* — Browdy and Neimark, P.L.L.C.

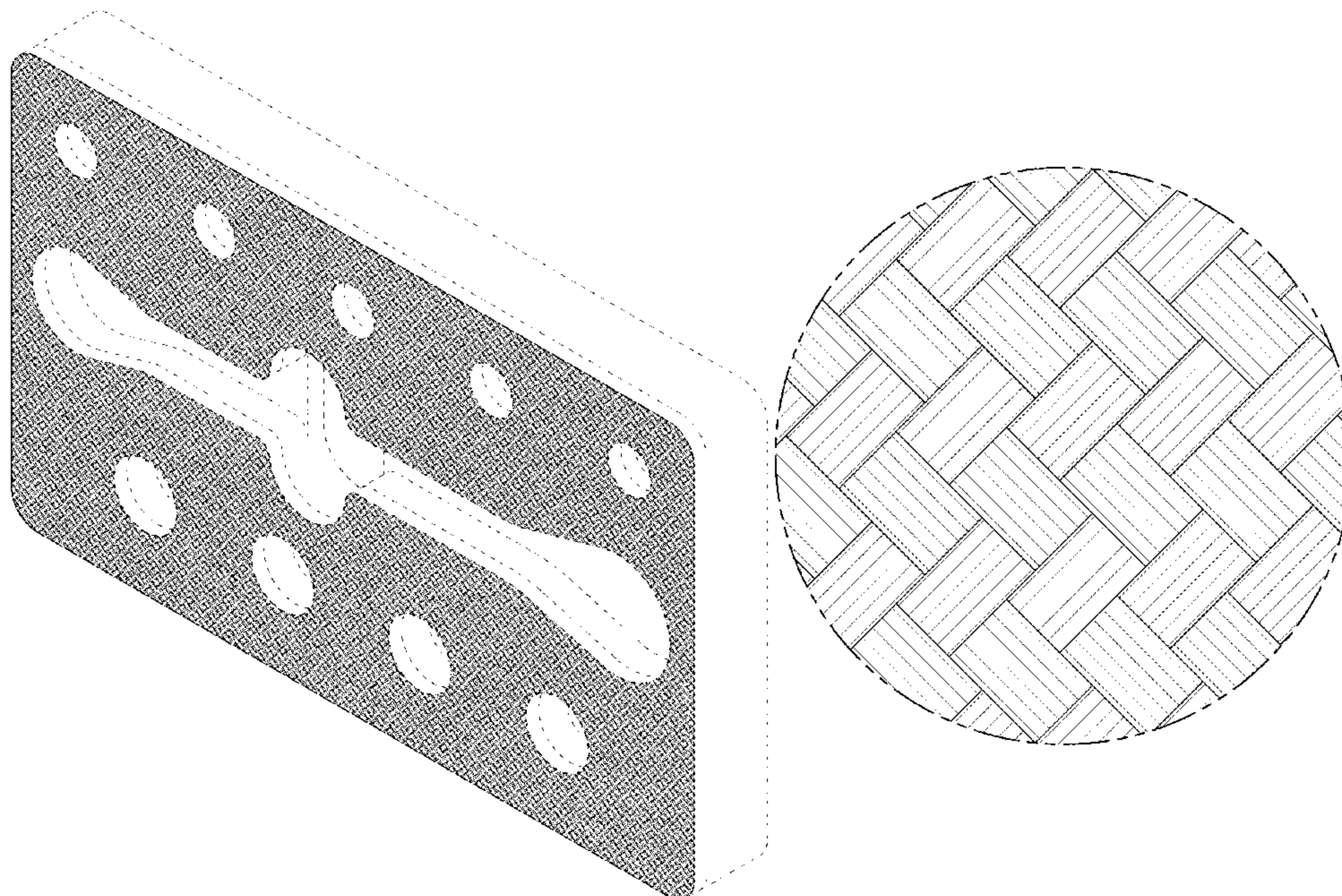
(57) **CLAIM**

The ornamental design for a tool organize foam tray with surface pattern, as shown and described.

**DESCRIPTION**

FIG. 1 is a perspective view of a tool organize foam tray with surface pattern, showing my new design;  
FIG. 2 is a front view thereof;  
FIG. 3 is a partial enlarged view thereof according to section 3-3 shown in FIG. 2; and,  
FIG. 4 is a further partial enlarged view thereof according to broken circle "4" shown in FIG. 3.  
In the drawings, the broken lines are shown for illustrative purposes only and form no part of the claimed design.

**1 Claim, 4 Drawing Sheets**





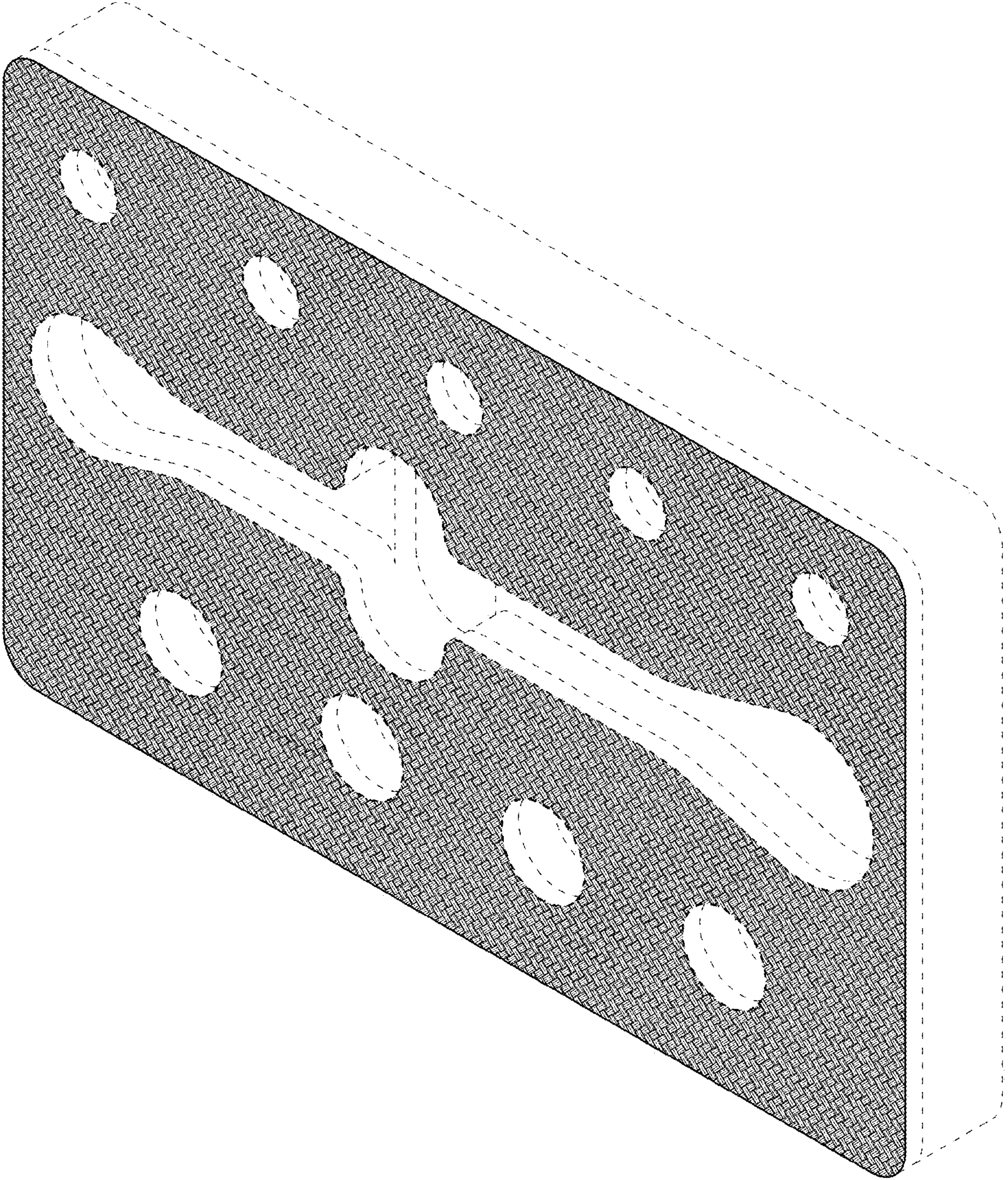


FIG.1



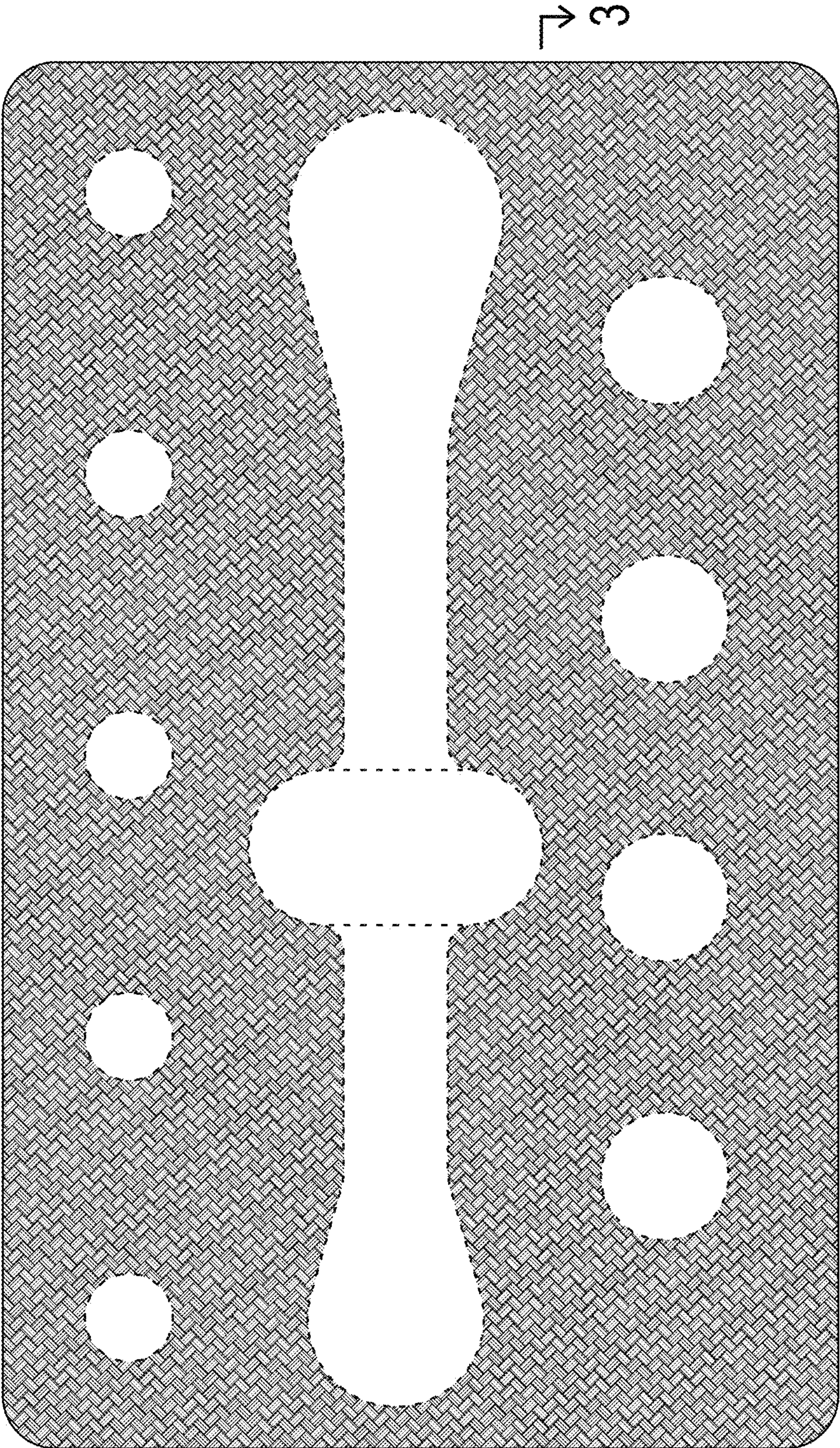


FIG. 2



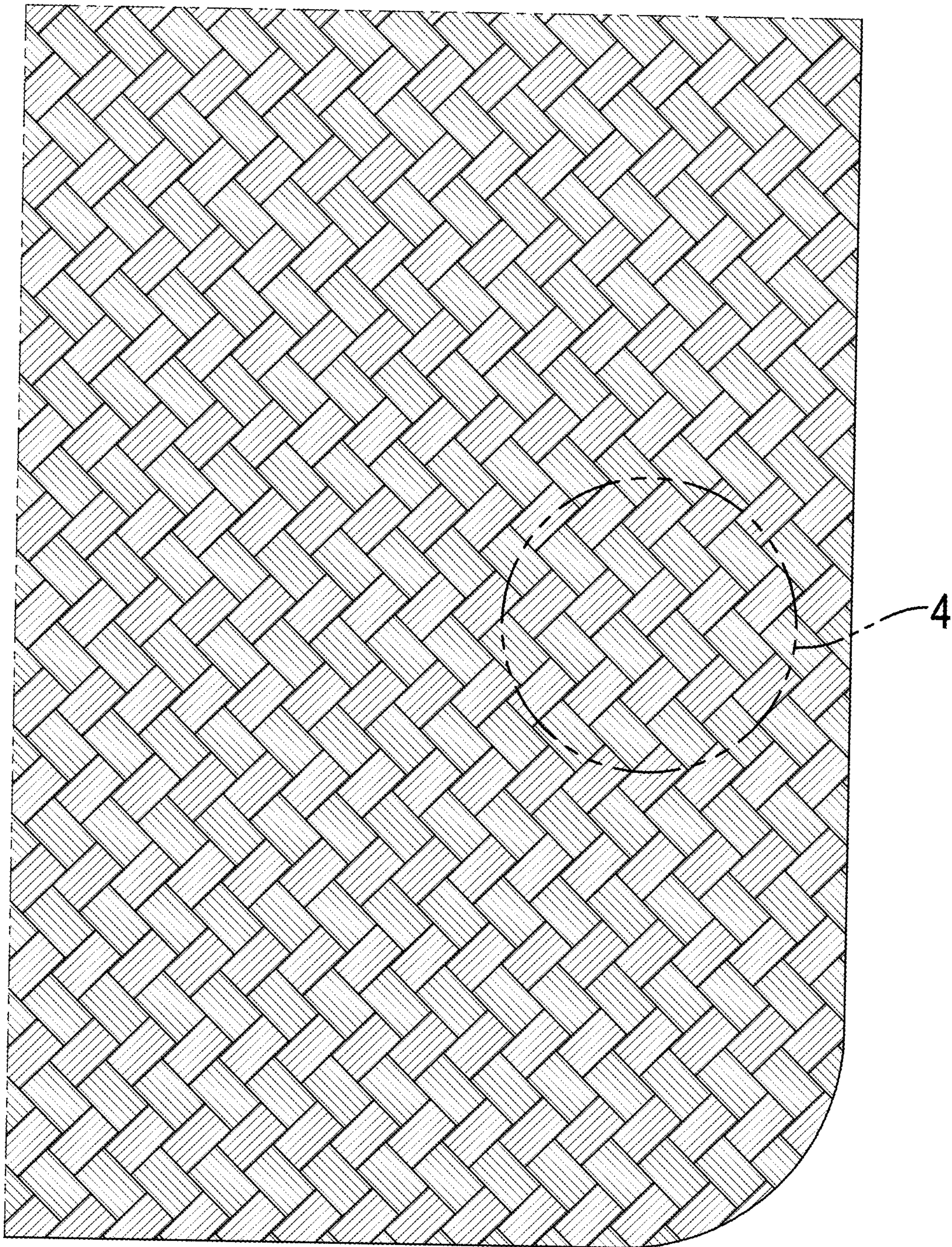


FIG.3



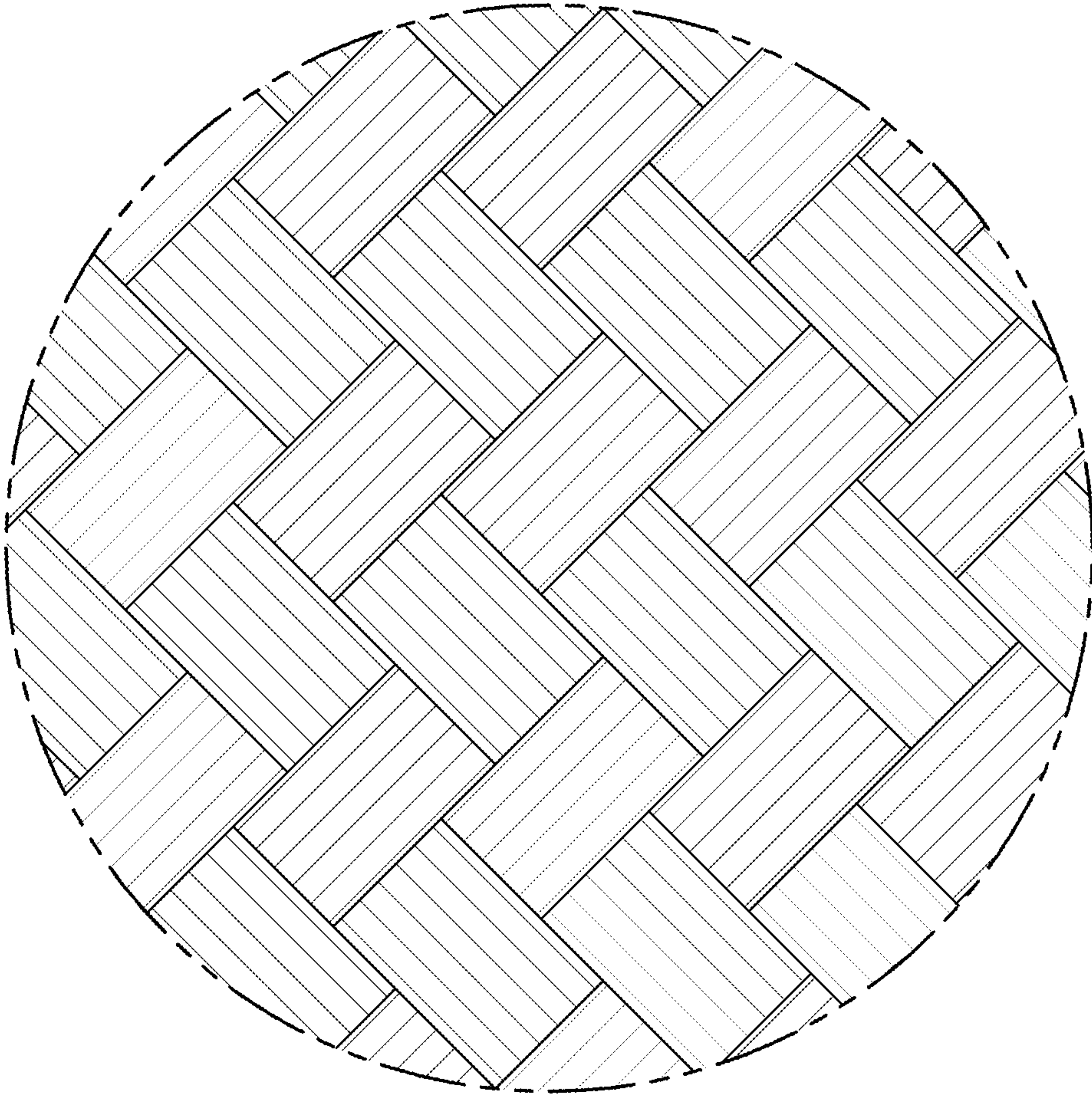


FIG.4