



US00D928629S

(12) **United States Design Patent**
Yang

(10) **Patent No.:** **US D928,629 S**

(45) **Date of Patent:** **** Aug. 24, 2021**

(54) **BOTTLE**

(71) Applicant: **Shenzhen A Li Sen Trading Co., Ltd.**,
Shenzhen (CN)

(72) Inventor: **Jun Yang**, Shenzhen (CN)

(**) Term: **15 Years**

(21) Appl. No.: **29/764,623**

(22) Filed: **Dec. 31, 2020**

(51) **LOC (13) Cl.** **09-01**

(52) **U.S. Cl.**
USPC **D9/724**

(58) **Field of Classification Search**
USPC D9/442, 503, 695–699, 702–714,
D9/723–729; D24/199; D28/7
CPC A45D 34/00; A45D 40/00; B65D 81/3272
See application file for complete search history.

(56) **References Cited**

U.S. PATENT DOCUMENTS

D491,469 S *	6/2004	Horie	D9/529
D498,146 S *	11/2004	Densky	D9/571
D563,798 S *	3/2008	Gibson	D9/724
D591,609 S	5/2009	Shmagin		
D620,807 S *	8/2010	Wang Treadway	D9/691
D633,384 S *	3/2011	Tanaka	D9/447
D633,807 S	3/2011	Fahy et al.		
D673,058 S *	12/2012	Park	D9/724

D679,603 S *	4/2013	Winn	D9/558
D681,478 S *	5/2013	Riffe	D9/724
D700,517 S	3/2014	Oommen et al.		
D703,538 S	4/2014	Paredes et al.		
D715,653 S	10/2014	Lavigne et al.		
D716,661 S	11/2014	Dubitsky et al.		
D732,394 S	6/2015	DeMarco		
D752,991 S	4/2016	Ober		
D758,877 S	6/2016	Vaughn-Batiz		
D836,444 S	12/2018	Tan et al.		
D906,132 S *	12/2020	Fuketa	D9/724
D911,189 S *	2/2021	Aboabdo	D9/724

* cited by examiner

Primary Examiner — Janice Patyk

(74) *Attorney, Agent, or Firm* — Rumit Ranjit Kanakia

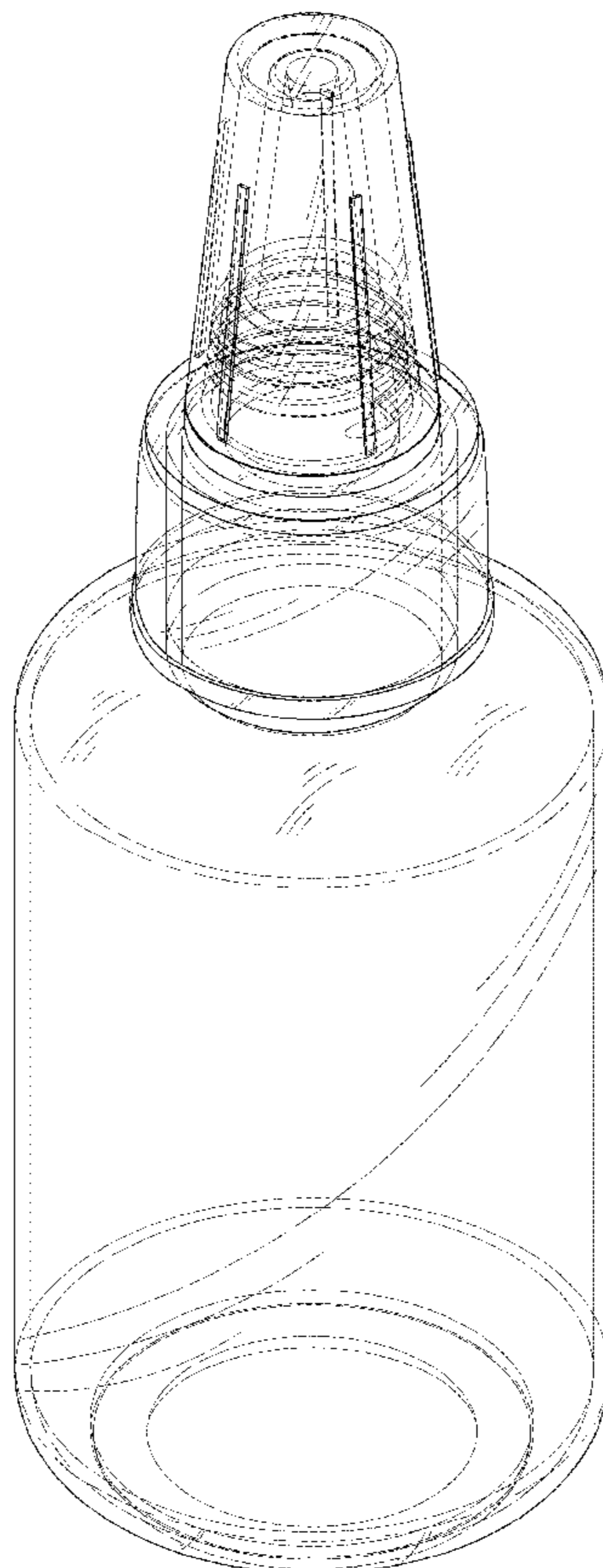
(57) **CLAIM**

The ornamental design for a bottle, as shown and described.

DESCRIPTION

FIG. 1 is a front view of the bottle showing my new design;
FIG. 2 is a rear view thereof;
FIG. 3 is a left side view thereof;
FIG. 4 is a right side view thereof;
FIG. 5 is a top view thereof;
FIG. 6 is a bottom view thereof; and,
FIG. 7 is a perspective thereof.

1 Claim, 7 Drawing Sheets



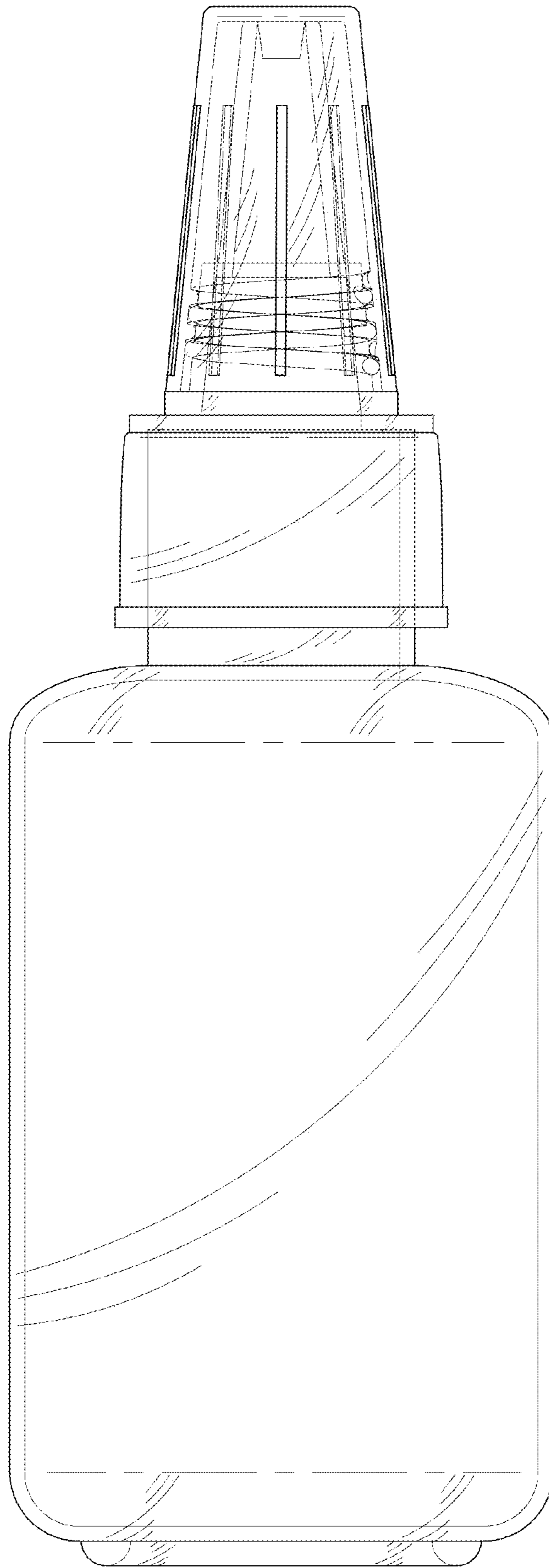


Fig.1

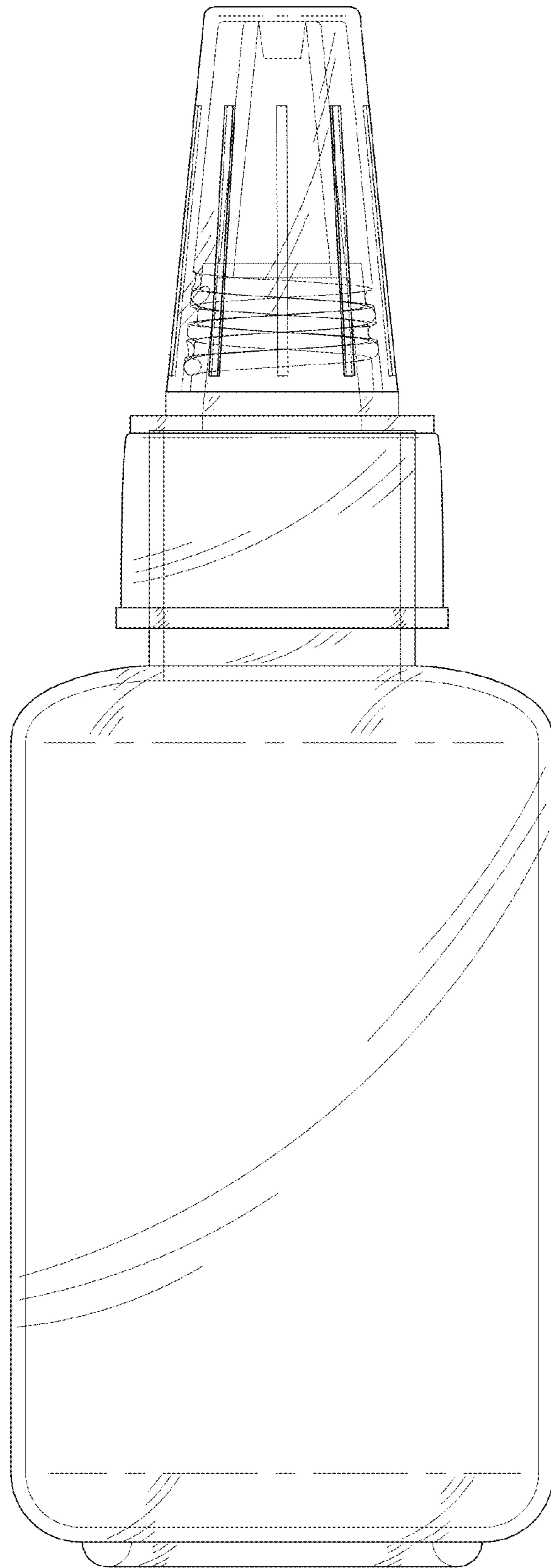


Fig.2

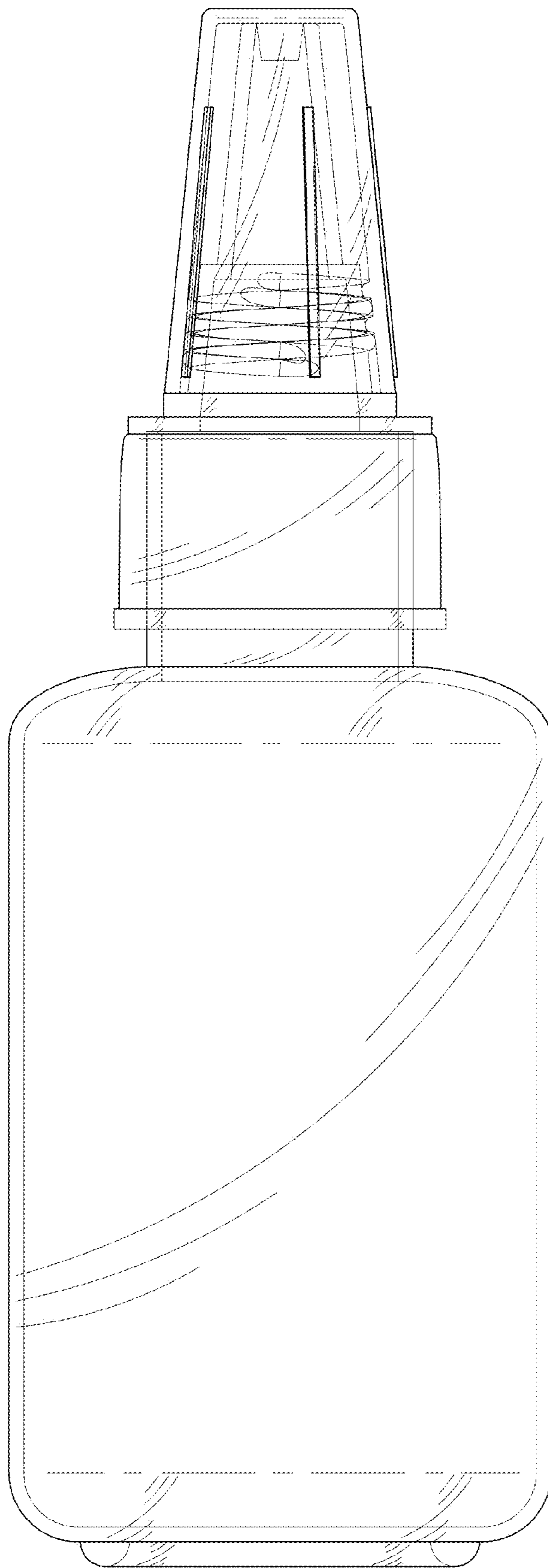


Fig.3

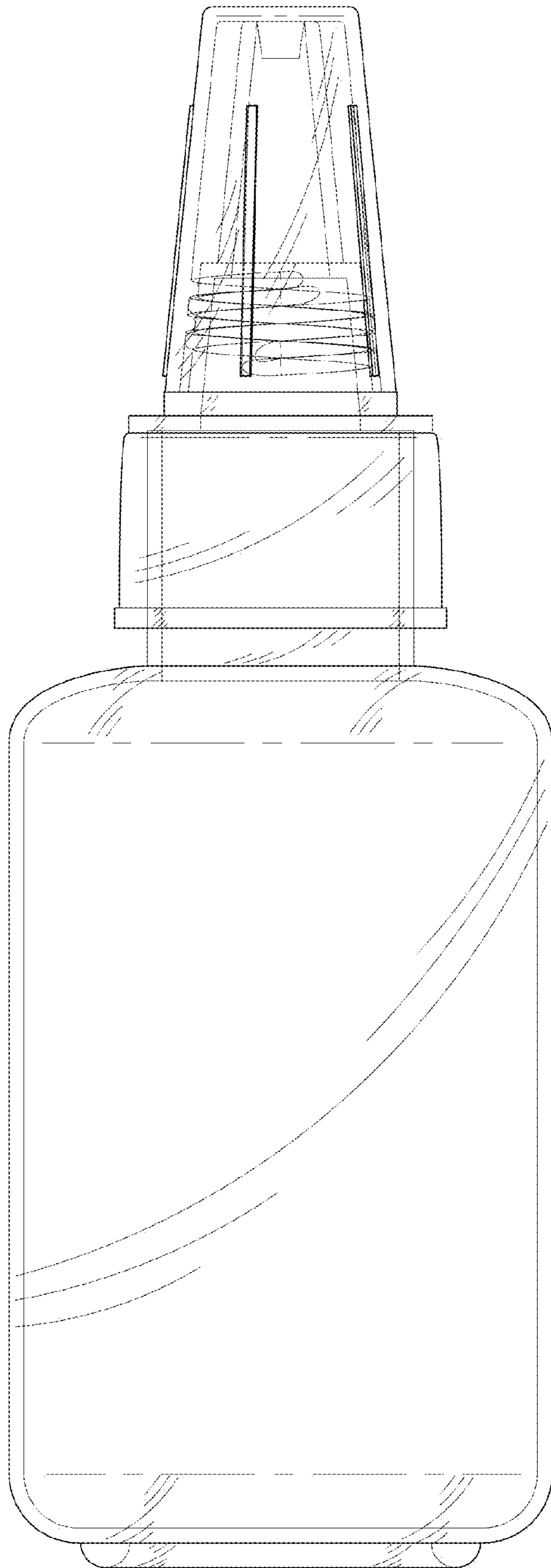


Fig.4

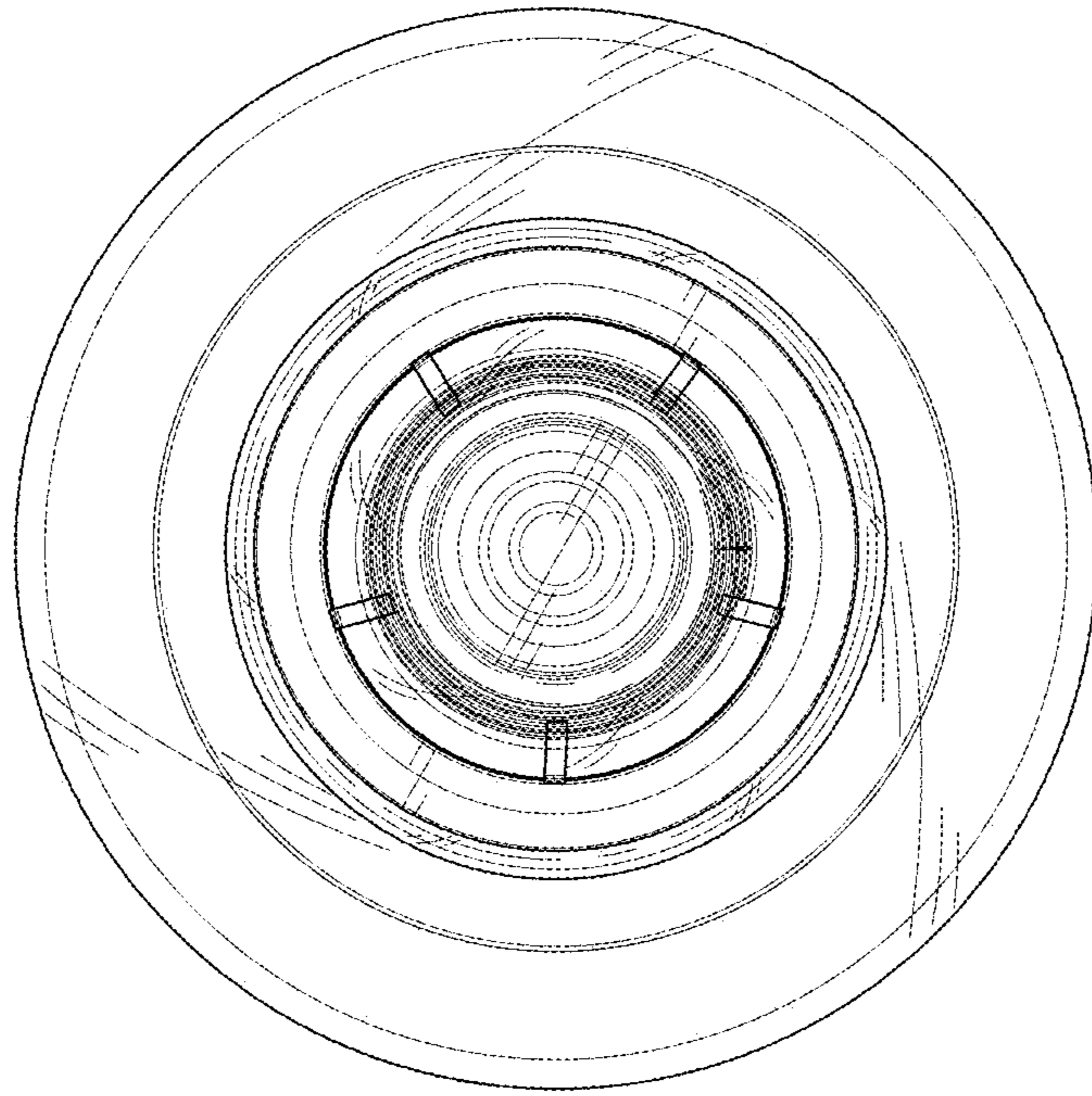


Fig.5

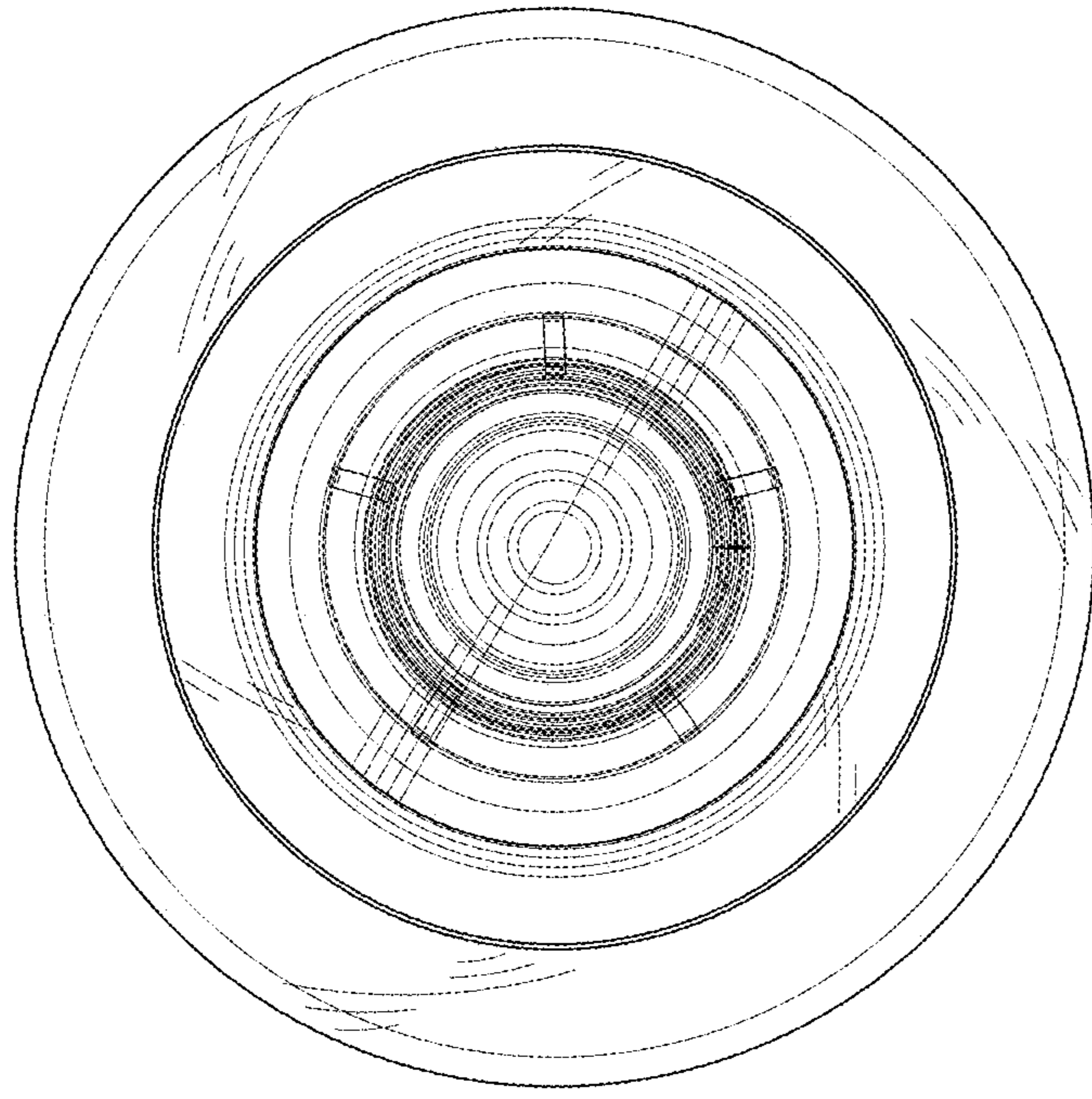


Fig.6

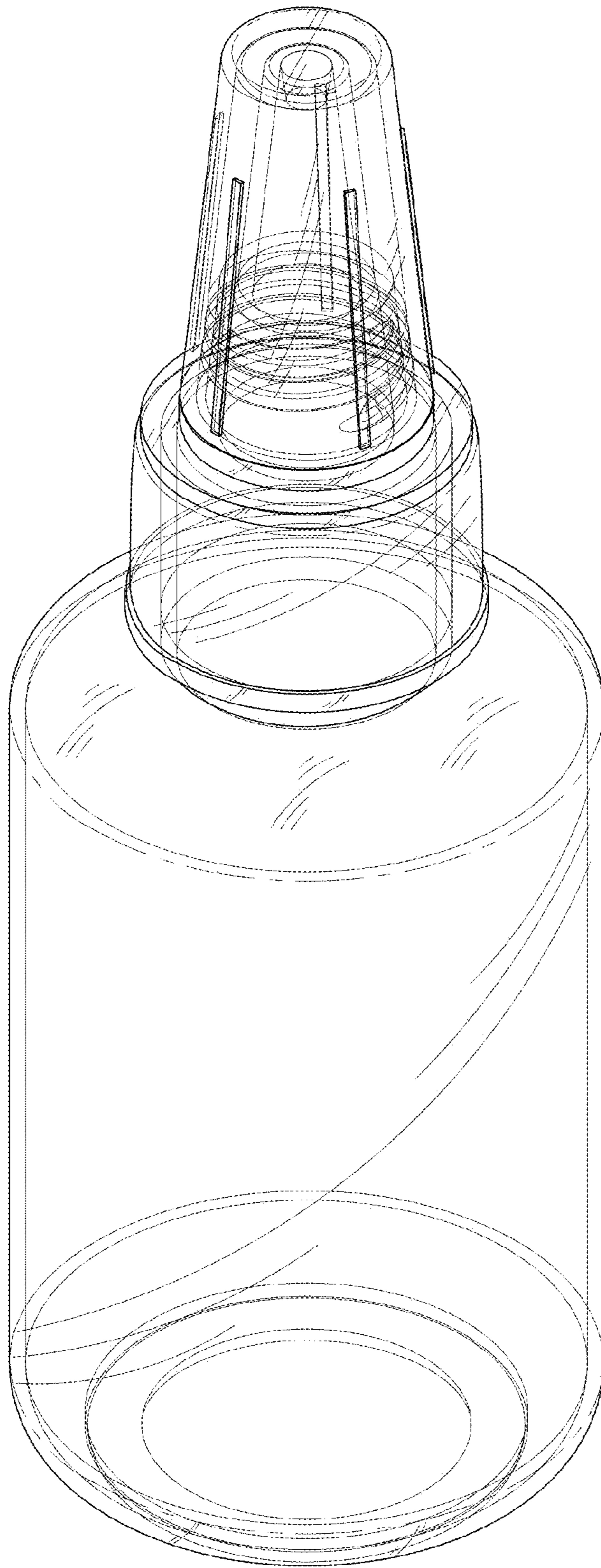


Fig.7