



US00D928628S

(12) **United States Design Patent**
Pierce et al.

(10) **Patent No.:** **US D928,628 S**

(45) **Date of Patent:** **** Aug. 24, 2021**

(54) **PACKAGE OF TRANSACTION CARDS**

(71) Applicant: **VALID SOLUÇÕES S.A.**, Rio de Janeiro (BR)

(72) Inventors: **Thomas Peter Pierce**, Wheaton, IL (US); **Christopher Bradley Mermigas**, Westmont, IL (US)

(73) Assignee: **VALID SOLUÇÕES S.A.**, Rio de Janeiro (BR)

(**) Term: **15 Years**

(21) Appl. No.: **29/771,880**

(22) Filed: **Feb. 25, 2021**

Related U.S. Application Data

(62) Division of application No. 29/670,420, filed on Nov. 15, 2018, now Pat. No. Des. 915,220.

(51) **LOC (13) Cl.** **09-03**

(52) **U.S. Cl.**
USPC **D9/722; D9/415**

(58) **Field of Classification Search**
USPC D9/414, 415, 416, 432, 433, 658, 722;
D3/201, 203.1, 273, 294, 298, 299, 300,
D3/304, 314; D19/1, 10

(Continued)

(56) **References Cited**

U.S. PATENT DOCUMENTS

4,619,364 A 10/1986 Czopor, Jr.
5,777,305 A 7/1998 Smith et al.

(Continued)

OTHER PUBLICATIONS

Office action (restriction requirement) dated Feb. 8, 2021 in Design U.S. Appl. No. 29/670,420.

Primary Examiner — Lauren R Calve

(74) *Attorney, Agent, or Firm* — Marshall, Gerstein & Borun LLP

(57) **CLAIM**

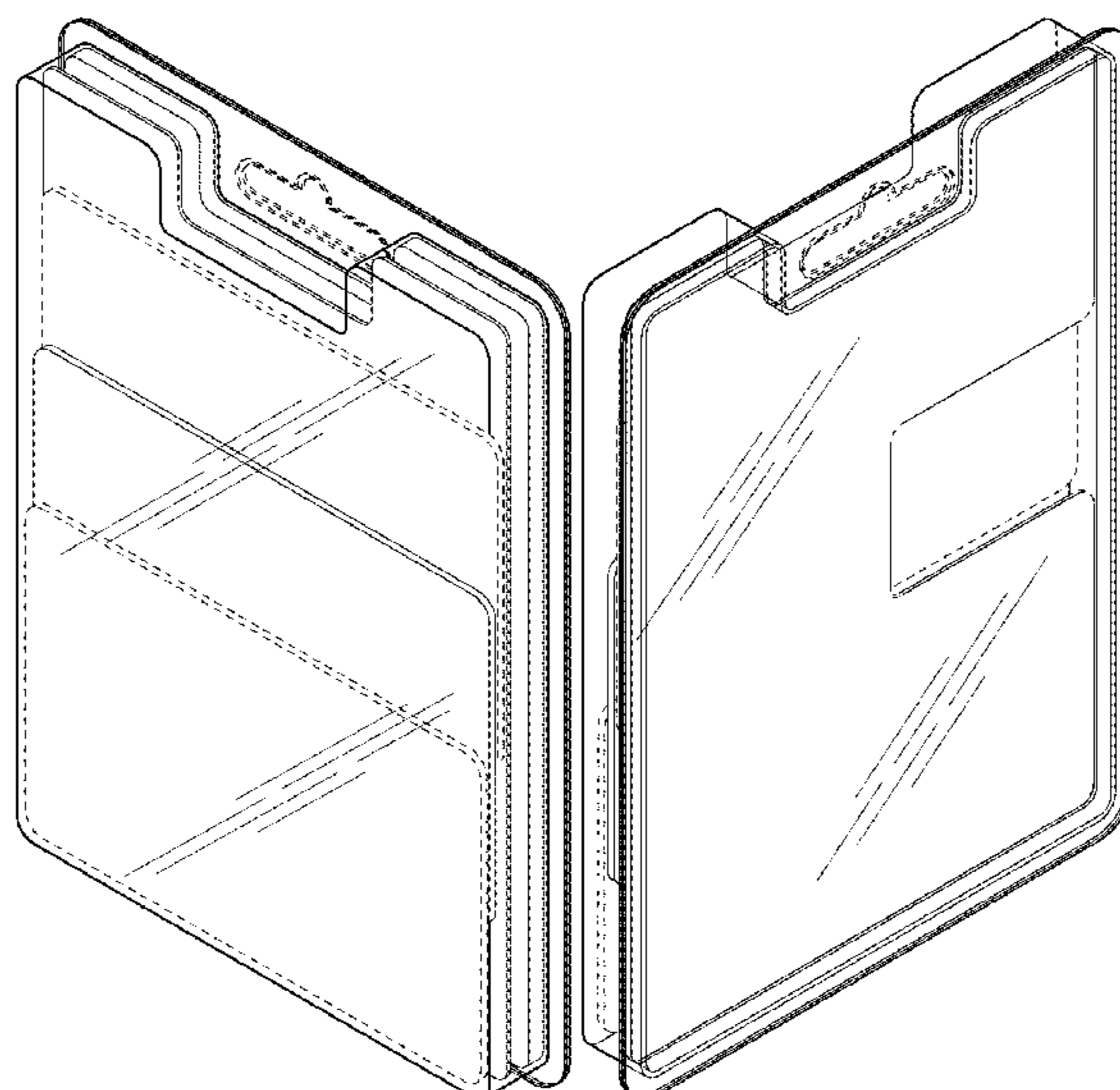
The ornamental design for a package of transaction cards, as shown and described.

DESCRIPTION

FIG. 1 is a front perspective view of a package of transaction cards of a first embodiment of the present invention; FIG. 2 is a front view of the invention illustrated in FIG. 1; FIG. 3 is a rear view of the invention illustrated in FIG. 1; FIG. 4 is a right side view of the invention illustrated in FIG. 1; FIG. 5 is a left side view of the invention illustrated in FIG. 1; FIG. 6 is a top view of the invention illustrated in FIG. 1; FIG. 7 is a bottom view of the invention illustrated in FIG. 1; FIG. 8 is a rear perspective view of the invention illustrated in FIG. 1; FIG. 9 is a front perspective view of a package of transaction cards of a second embodiment of the present invention; FIG. 10 is a front view of the invention illustrated in FIG. 9; FIG. 11 is a rear view of the invention illustrated in FIG. 9; FIG. 12 is a right side view of the invention illustrated in FIG. 9; FIG. 13 is a left side view of the invention illustrated in FIG. 9; FIG. 14 is a top view of the invention illustrated in FIG. 9; FIG. 15 is a bottom view of the invention illustrated in FIG. 9; and, FIG. 16 is a rear perspective view of the invention illustrated in FIG. 9.

The broken lines in the drawings illustrate portions of the package of transaction cards that form no part of the claimed design.

1 Claim, 8 Drawing Sheets



(58) **Field of Classification Search**
 CPC B65D 5/2057; B65D 5/541; B65D 75/14;
 B65D 83/0418; B65D 85/60; B65D
 5/546; B65D 5/705; B65D 71/0085;
 B65D 83/0847; B65D 5/545; B65D
 75/5838; B65D 2571/0066

See application file for complete search history.

(56) **References Cited**

U.S. PATENT DOCUMENTS

5,918,909 A 7/1999 Fiala et al.
 5,984,091 A 11/1999 Orr et al.
 D427,900 S 7/2000 O'Malley et al.
 6,224,108 B1 5/2001 Klure
 6,315,206 B1 11/2001 Hansen et al.
 6,328,341 B2* 12/2001 Klure B42D 15/025
 206/454
 6,698,116 B2* 3/2004 Waldron G09F 1/00
 283/99
 6,957,737 B1 10/2005 Frederickson et al.
 D598,737 S 8/2009 Neves et al.

8,181,789 B1 5/2012 Casella et al.
 8,256,682 B2 9/2012 Chakiris et al.
 8,419,889 B2 4/2013 Smith
 D719,037 S 12/2014 Tsai et al.
 9,049,909 B2 6/2015 Smith
 D819,455 S 6/2018 Fahy et al.
 10,275,698 B2 4/2019 Pascua et al.
 D915,220 S* 4/2021 Pierce D9/722
 11,008,147 B2* 5/2021 Glinert B65D 75/22
 2002/0088855 A1* 7/2002 Hodes G06Q 20/354
 235/385
 2006/0278551 A1 12/2006 Bianchini et al.
 2007/0045401 A1* 3/2007 Sturm G06Q 20/349
 235/380
 2007/0063052 A1* 3/2007 Chakiris B42D 15/045
 235/486
 2009/0038968 A1 2/2009 Smith
 2011/0031148 A1* 2/2011 Rosendall B65D 73/0078
 206/459.1
 2012/0037534 A1 2/2012 Oimage et al.
 2012/0259718 A1 10/2012 Miller et al.
 2015/0225115 A1 8/2015 Nakamura et al.

* cited by examiner

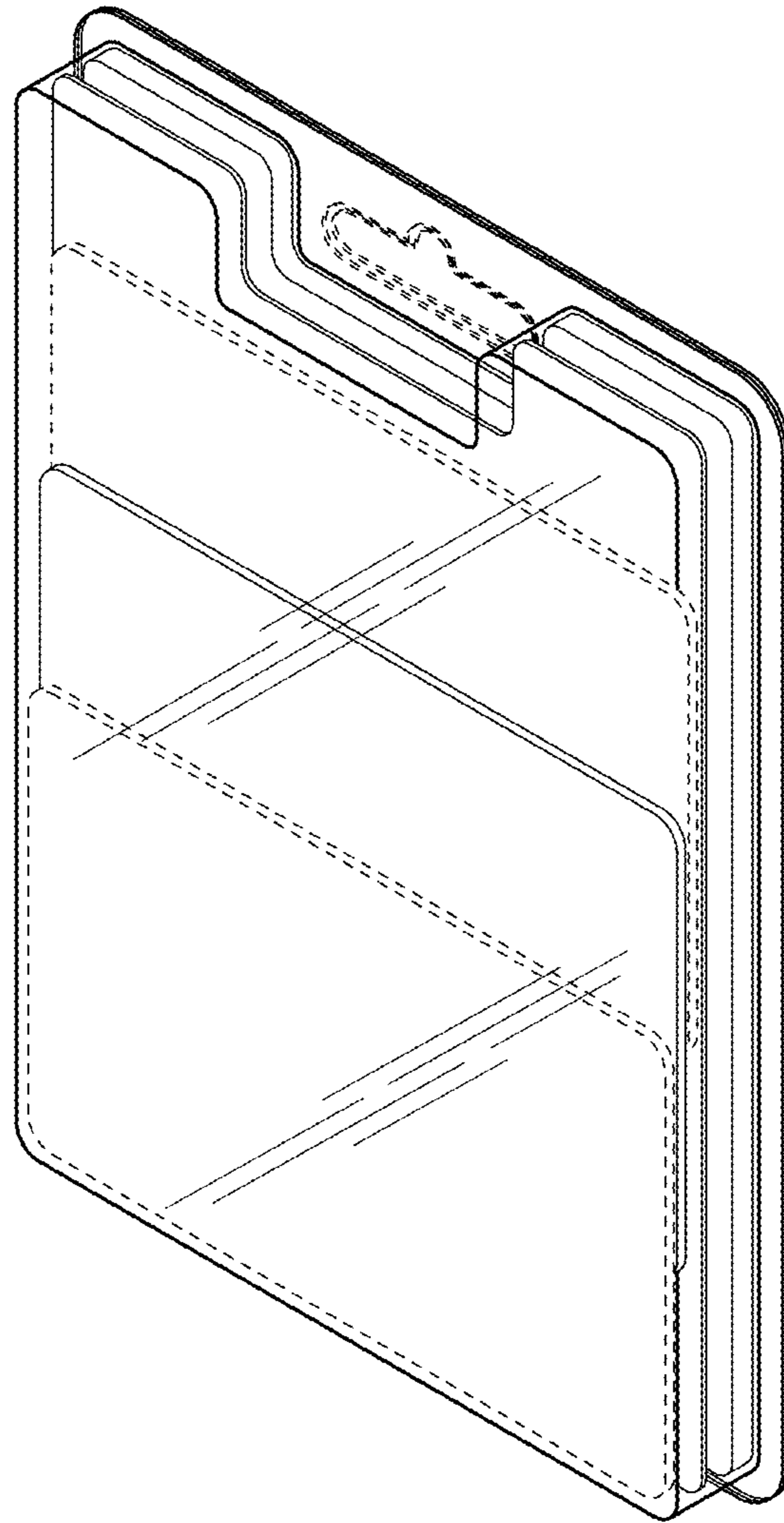


FIG. 1

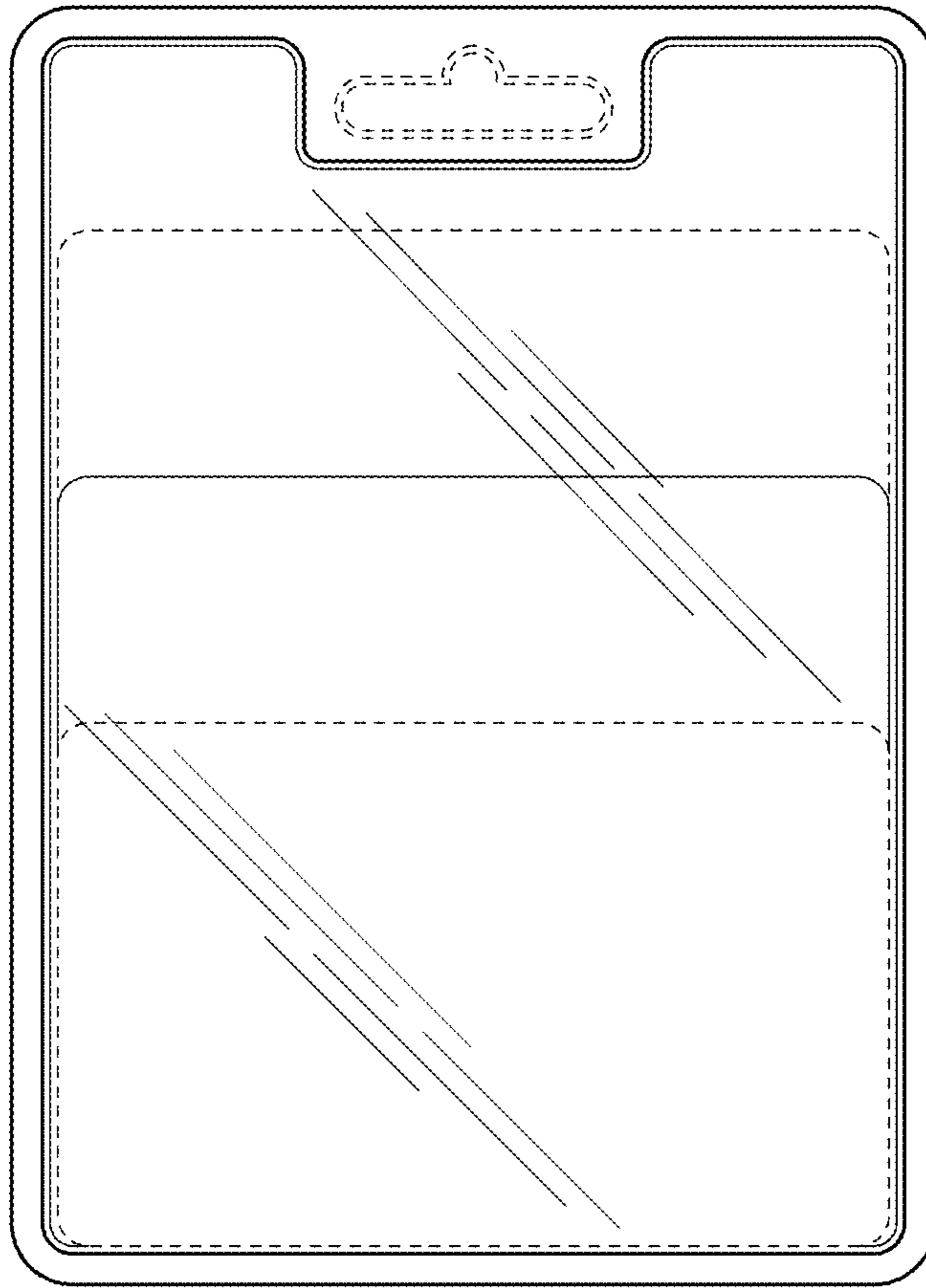


FIG. 2

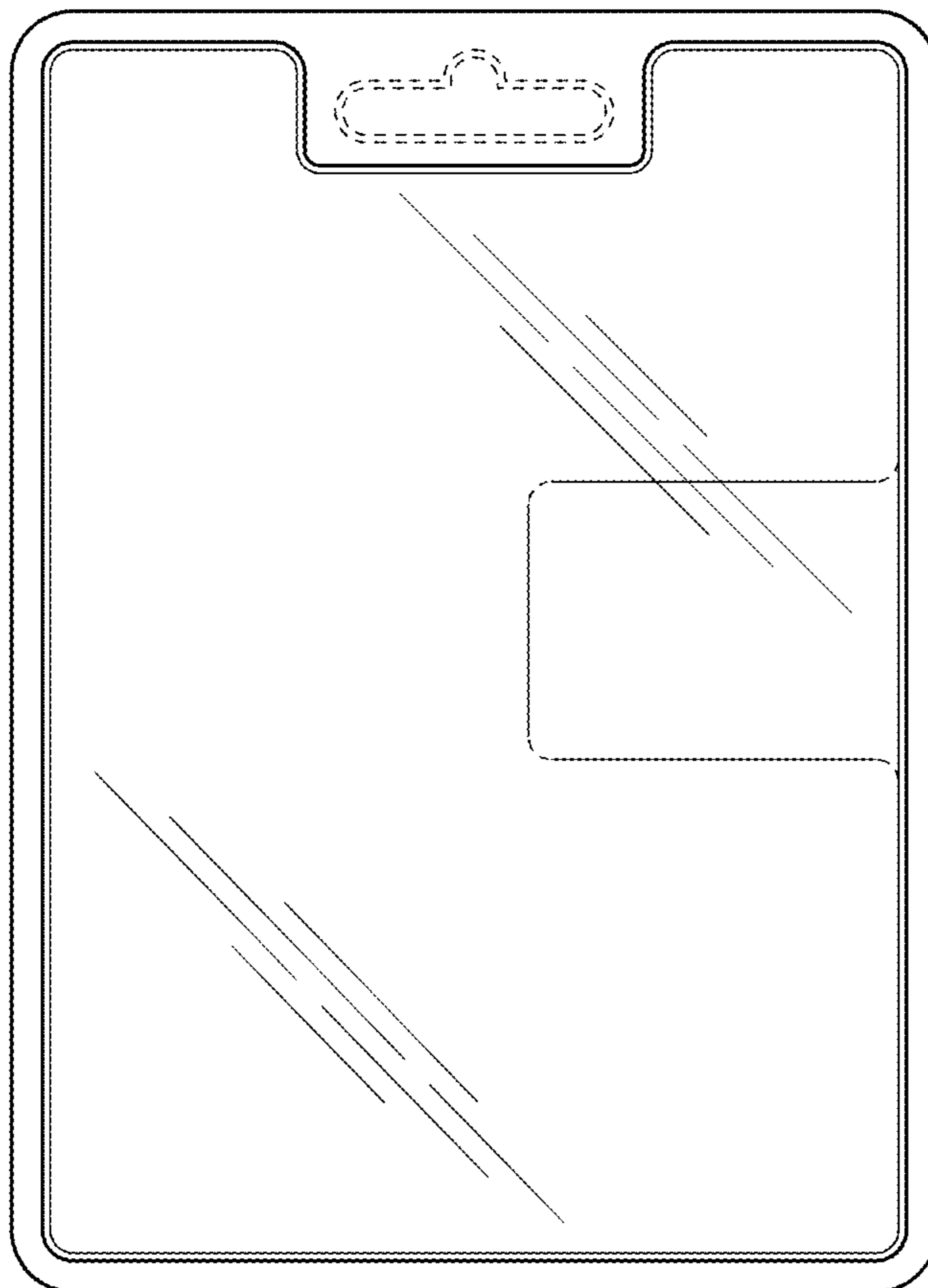


FIG. 3

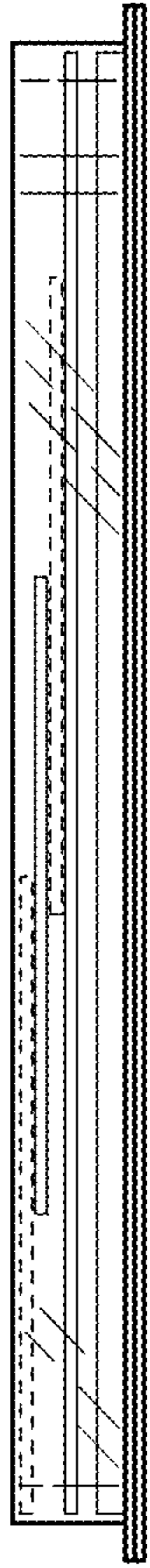


FIG. 4

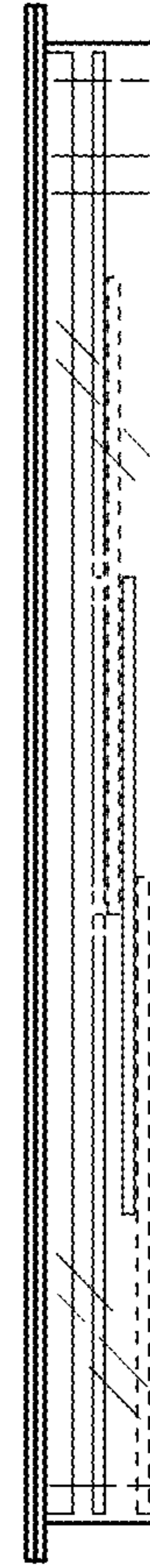


FIG. 5



FIG. 6

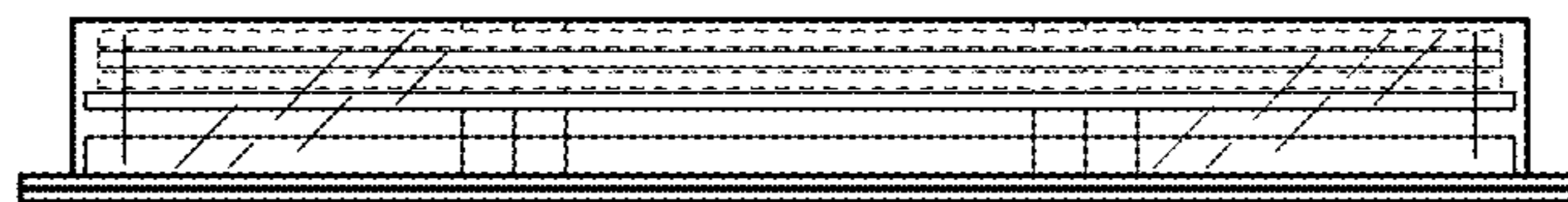


FIG. 7

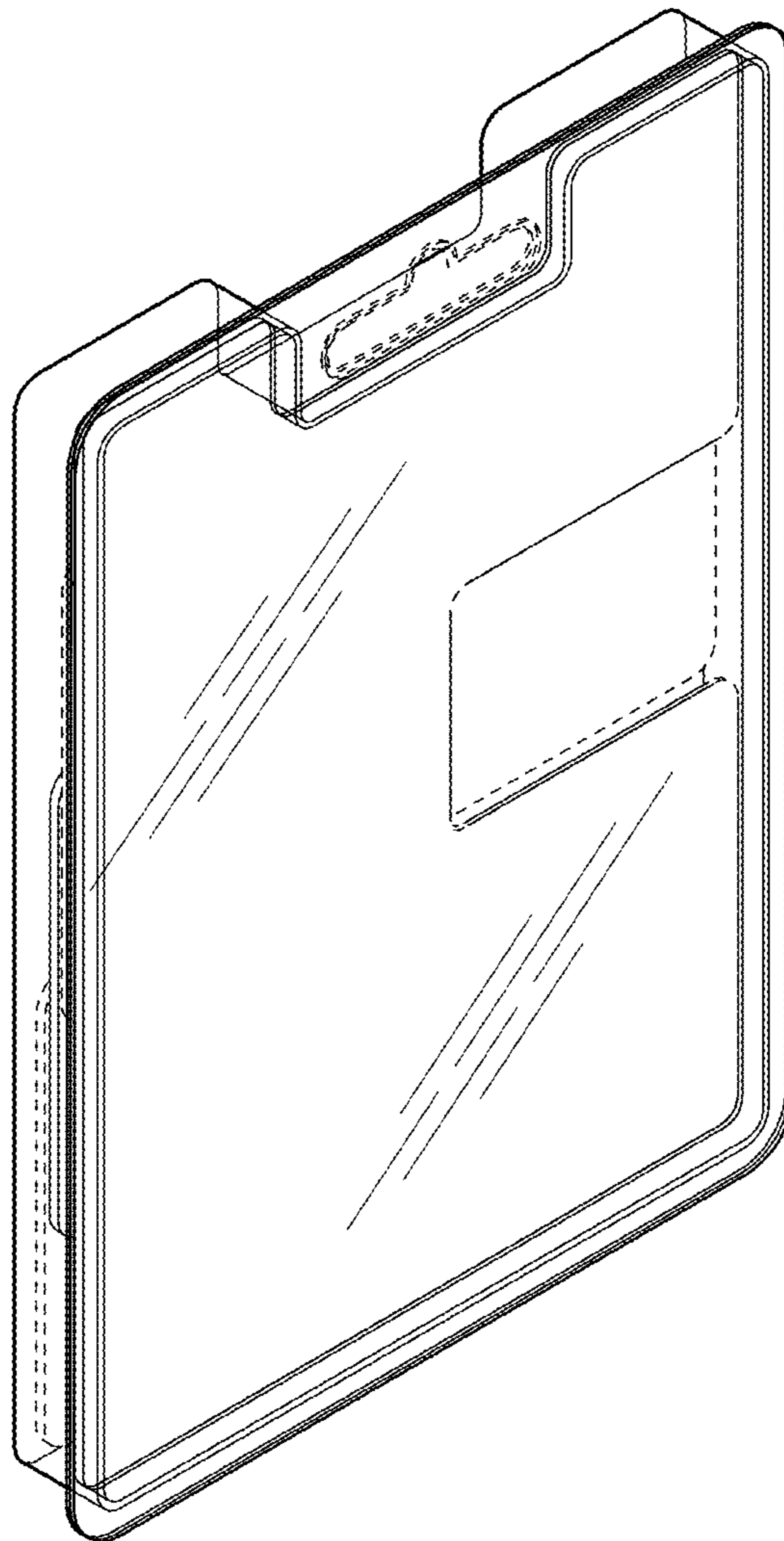


FIG. 8

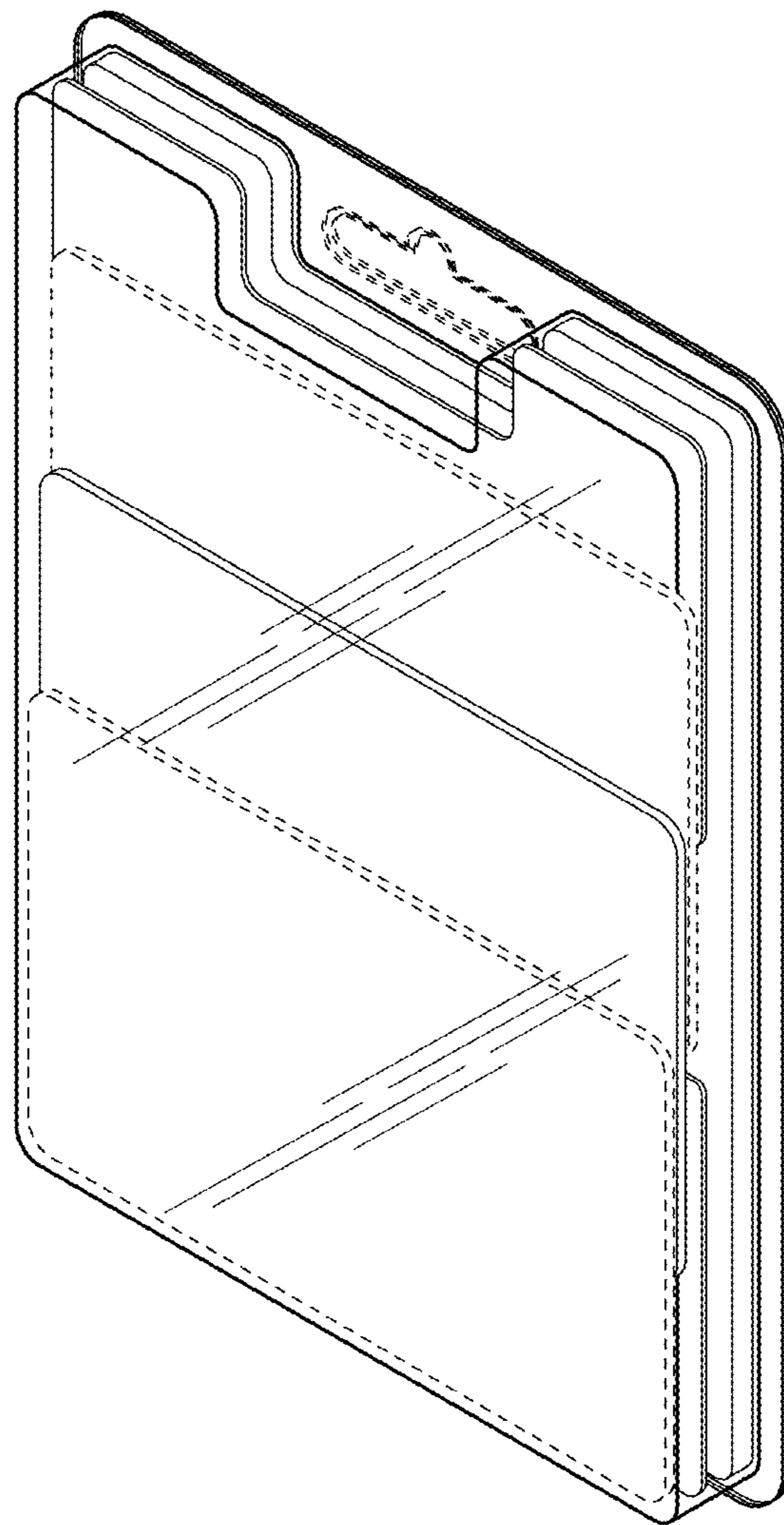


FIG. 9

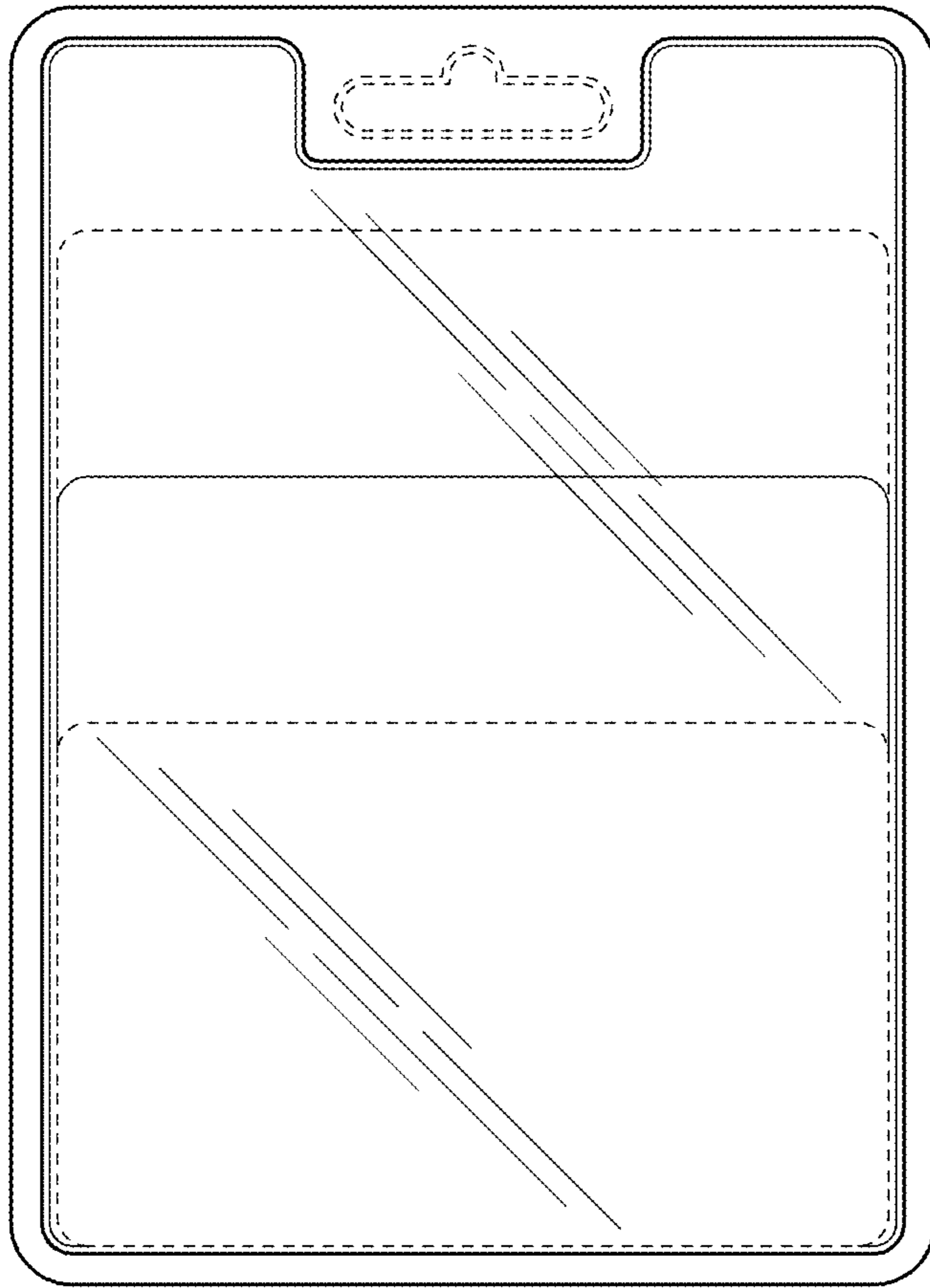


FIG. 10

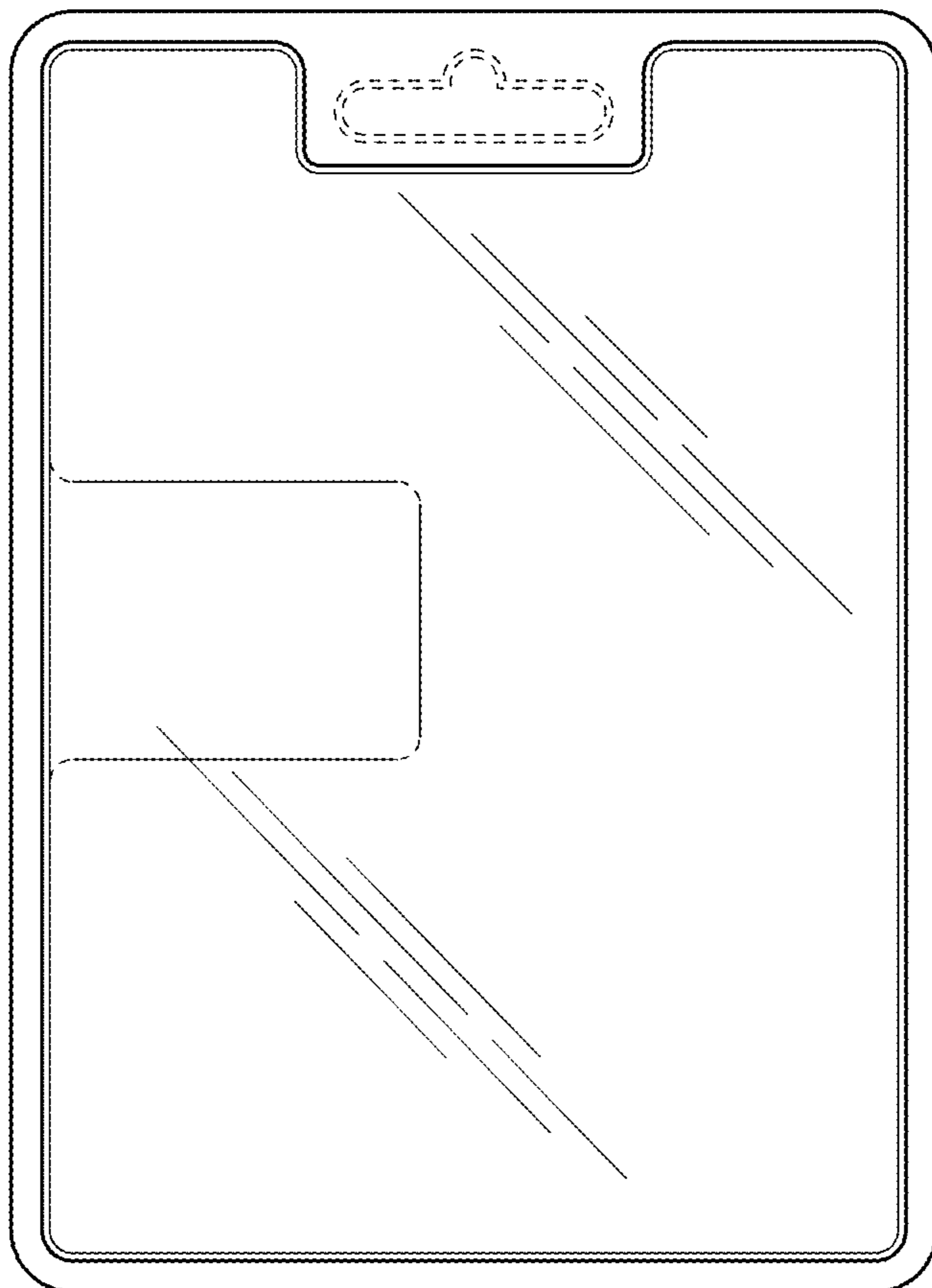


FIG. 11

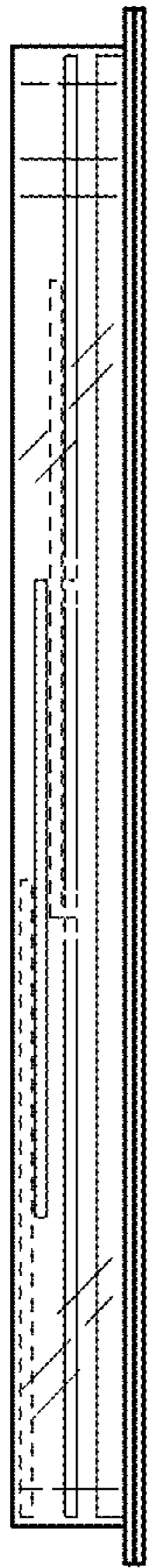


FIG. 12

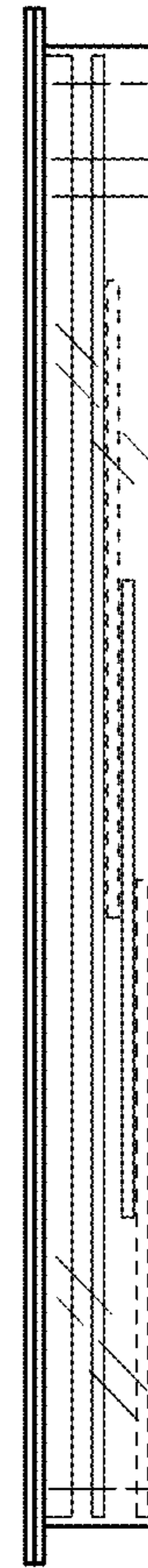


FIG. 13



FIG. 14

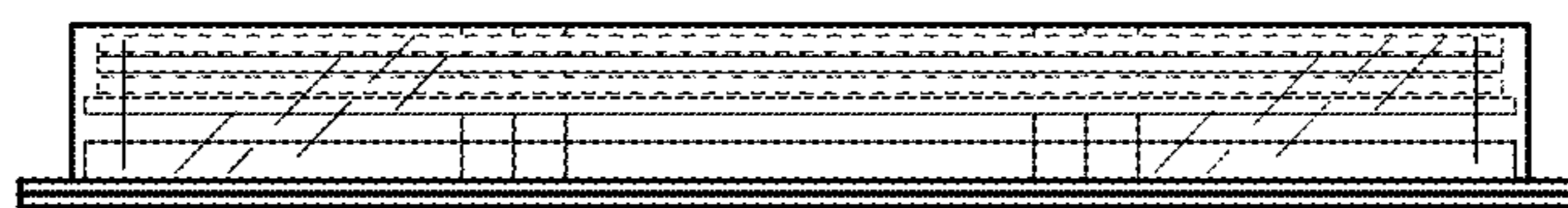


FIG. 15

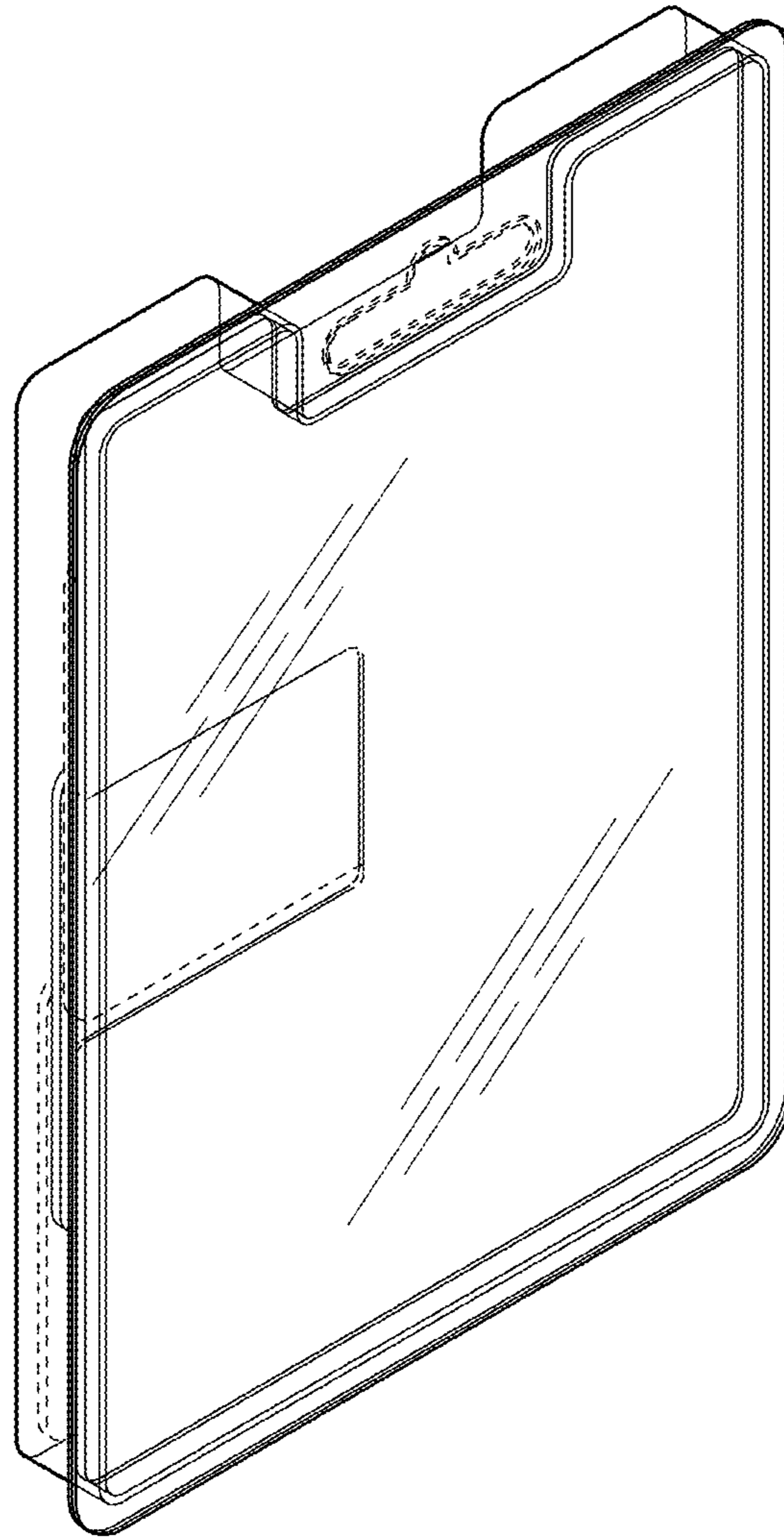


FIG. 16